



US00D945515S

(12) **United States Design Patent**  
**O'Connor et al.**

(10) **Patent No.:** **US D945,515 S**

(45) **Date of Patent:** **\*\* Mar. 8, 2022**

(54) **CAMERA**

(71) Applicant: **Amazon Technologies, Inc.**, Seattle, WA (US)

(72) Inventors: **Michael O'Connor**, Charlestown, MA (US); **Jonathan Howard Biddle**, San Francisco, CA (US); **Thomas Burns**, Boston, MA (US); **Emmanuel Laffon de Mazieres**, San Jose, CA (US)

(73) Assignee: **Amazon Technologies, Inc.**, Seattle, WA (US)

(\*\*) Term: **15 Years**

(21) Appl. No.: **29/780,675**

(22) Filed: **Apr. 26, 2021**

**Related U.S. Application Data**

(62) Division of application No. 29/722,150, filed on Jan. 27, 2020, now Pat. No. Des. 917,603.

(51) **LOC (13) Cl.** ..... **16-05**

(52) **U.S. Cl.**  
USPC ..... **D16/219**

(58) **Field of Classification Search**  
USPC ..... D14/172, 194, 204, 221; D16/200–205, D16/208, 217–219; 348/148, 373–376; 396/529, 535–541  
CPC ..... G03B 15/03; G03B 17/02; G03B 17/04; G03B 17/56; G03B 19/04; H04N 5/2251; H04N 5/2252; H04N 5/2253; H04N 5/2254; H04N 2101/00  
See application file for complete search history.

(56) **References Cited**

**U.S. PATENT DOCUMENTS**

D441,386 S 5/2001 Yamazaki  
D616,480 S 5/2010 Ookawa et al.

D668,283 S \* 10/2012 Ohno ..... D16/203  
8,467,675 B2 6/2013 Chen et al.  
8,908,036 B2 \* 12/2014 Tanaka ..... H04N 5/2257  
348/148  
D727,387 S 4/2015 Hasegawa et al.  
D727,991 S 4/2015 Hasegawa et al.  
D729,761 S 5/2015 Hu et al.  
D730,423 S 5/2015 Vandebussche  
D739,452 S 9/2015 Adams  
D741,932 S 10/2015 Huang et al.  
D745,589 S \* 12/2015 Lee ..... D16/218  
D750,687 S 3/2016 Samuels et al.  
D754,230 S 4/2016 Mori et al.  
D759,145 S \* 6/2016 Lee ..... D16/219  
D760,312 S 6/2016 Lee et al.  
D762,759 S \* 8/2016 Wu ..... D16/218  
D773,547 S 12/2016 Lee et al.  
D785,068 S 4/2017 Patsis et al.  
D788,835 S 6/2017 Wu et al.

(Continued)

*Primary Examiner* — Ramzi Almatrahi

(74) *Attorney, Agent, or Firm* — Lee & Hayes, P.C.

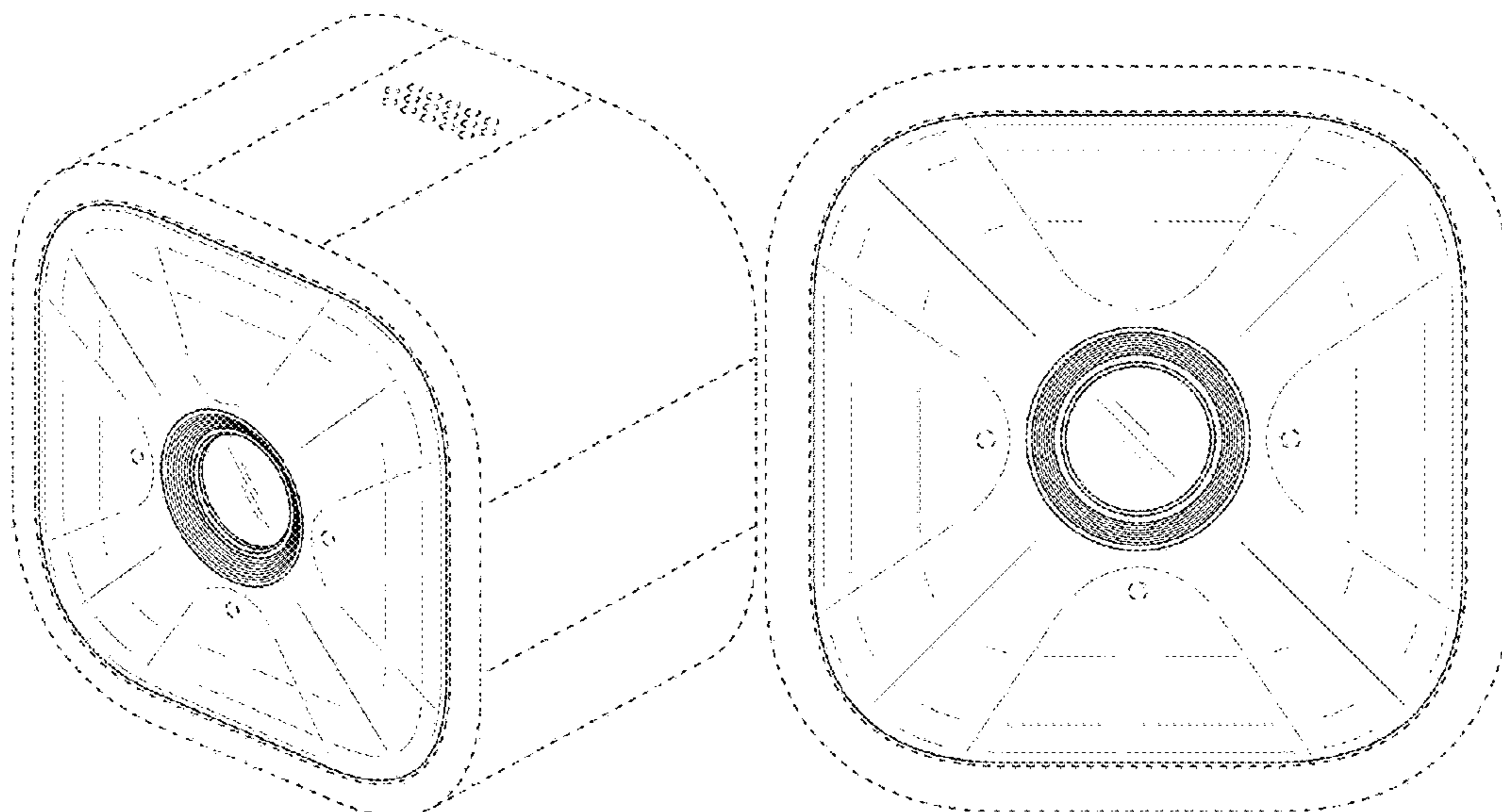
(57) **CLAIM**

The ornamental design for a camera, as shown and described.

**DESCRIPTION**

FIG. 1 is a top, front, right-side perspective view of a camera;  
FIG. 2 is a bottom, back, right-side perspective view thereof;  
FIG. 3 is a front view thereof;  
FIG. 4 is a back view thereof;  
FIG. 5 is a left-side view thereof;  
FIG. 6 is a right-side view thereof;  
FIG. 7 is a top view thereof; and,  
FIG. 8 is a bottom view thereof.  
The dashed broken lines depict portions of the camera that form no part of the claimed design.

**1 Claim, 8 Drawing Sheets**



(56)

**References Cited**

U.S. PATENT DOCUMENTS

D826,206 S *	8/2018	Elmich .....	D14/204
D829,260 S *	9/2018	Fujita .....	D16/218
D837,864 S *	1/2019	Ge .....	D16/218
D849,110 S *	5/2019	Khubani .....	D16/218
D858,603 S	9/2019	Ye	
D874,531 S *	2/2020	Chen .....	D16/202
D893,575 S *	8/2020	Kyte .....	D16/202
D893,576 S	8/2020	Kyte et al.	
D895,568 S *	9/2020	Yu .....	D14/204
D905,780 S *	12/2020	Zhu .....	D16/218

\* cited by examiner

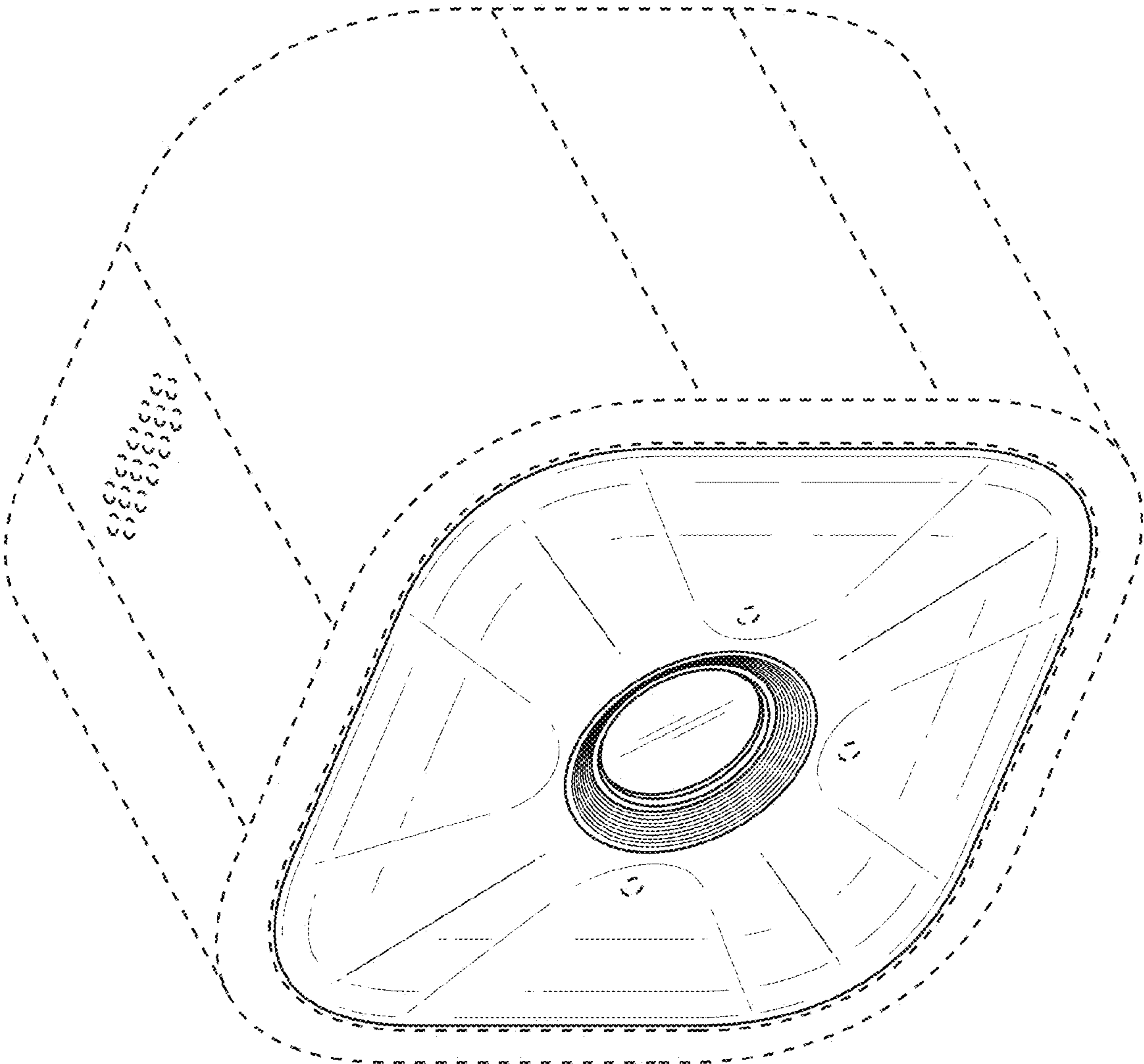
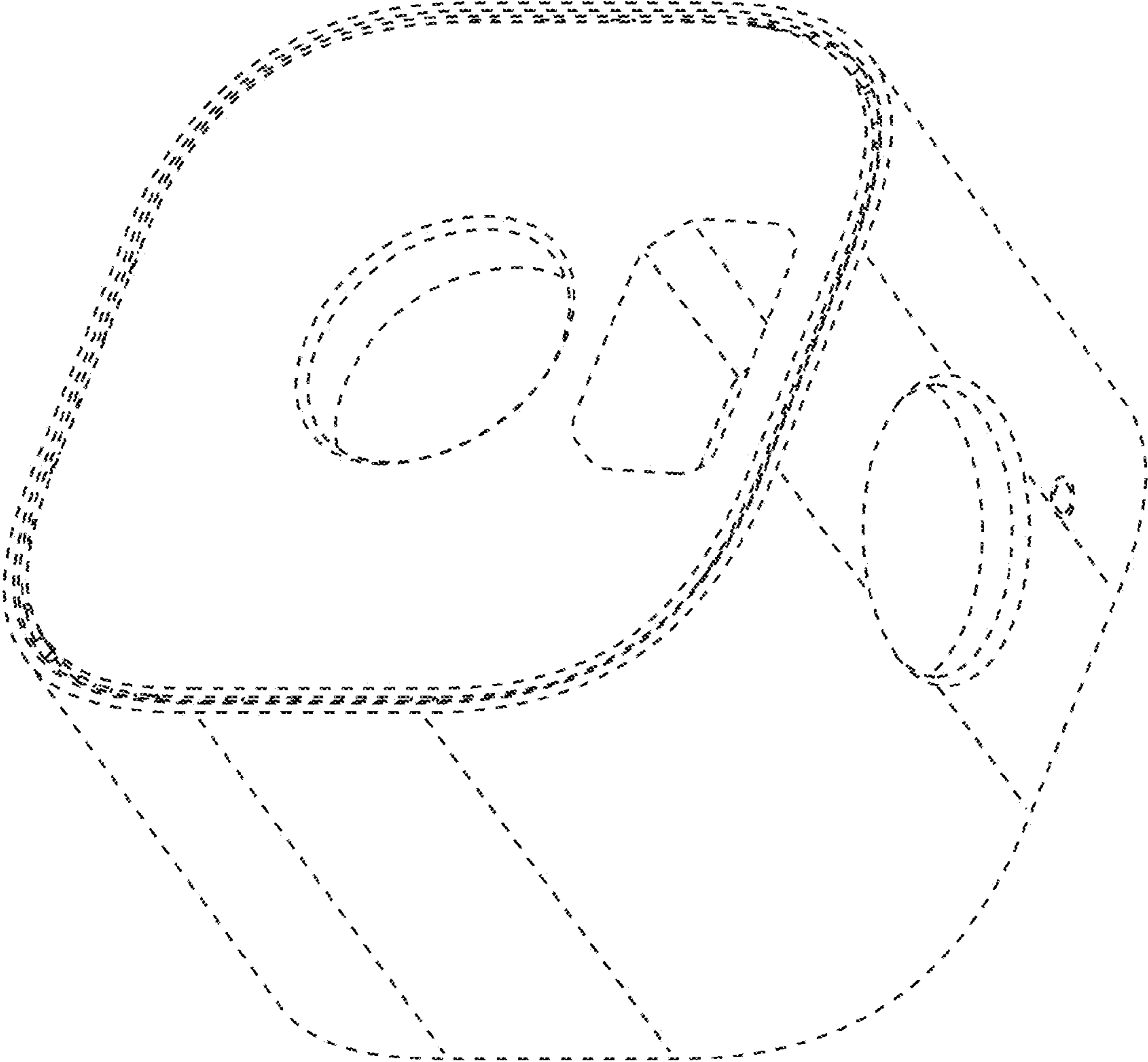
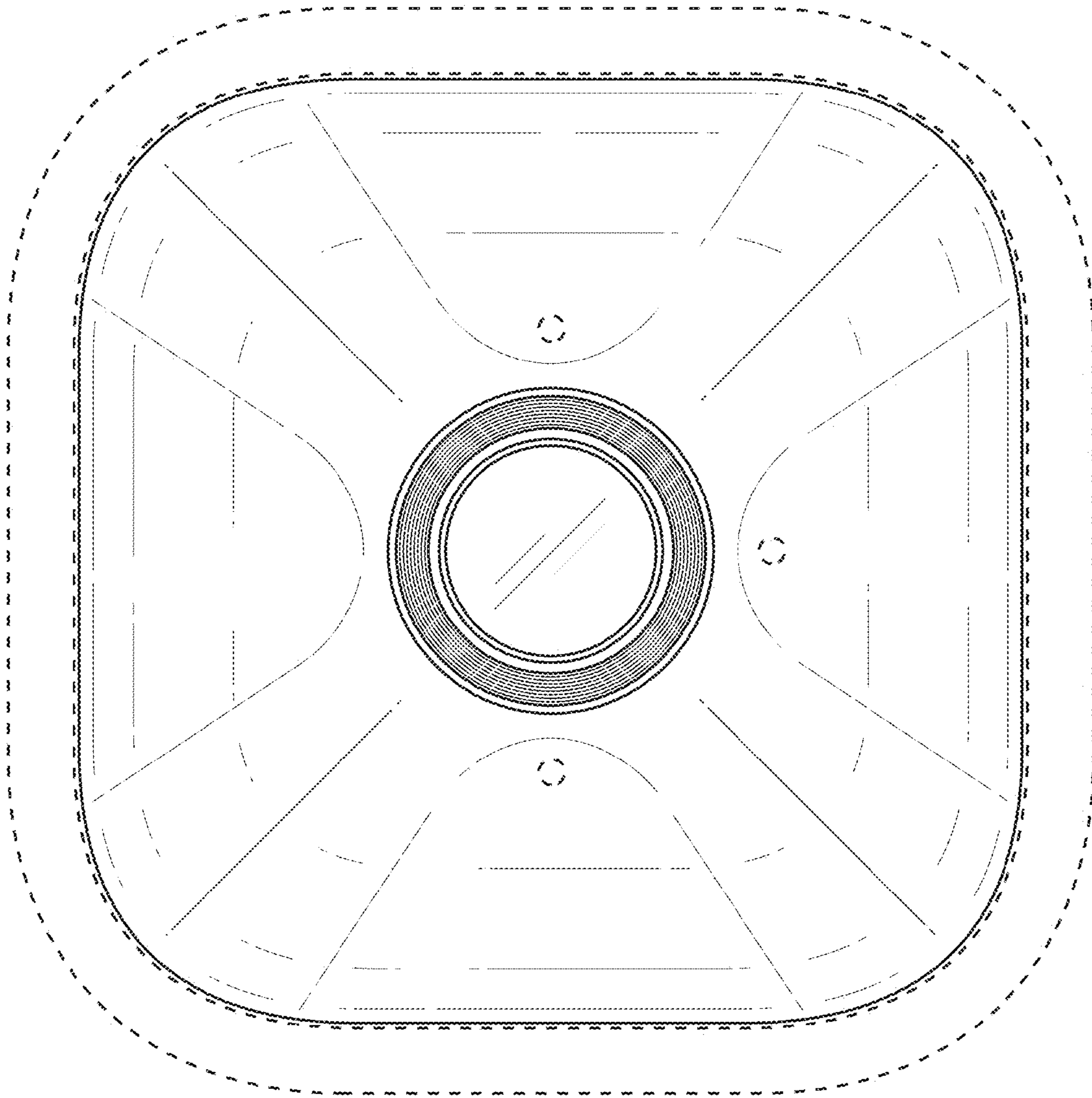


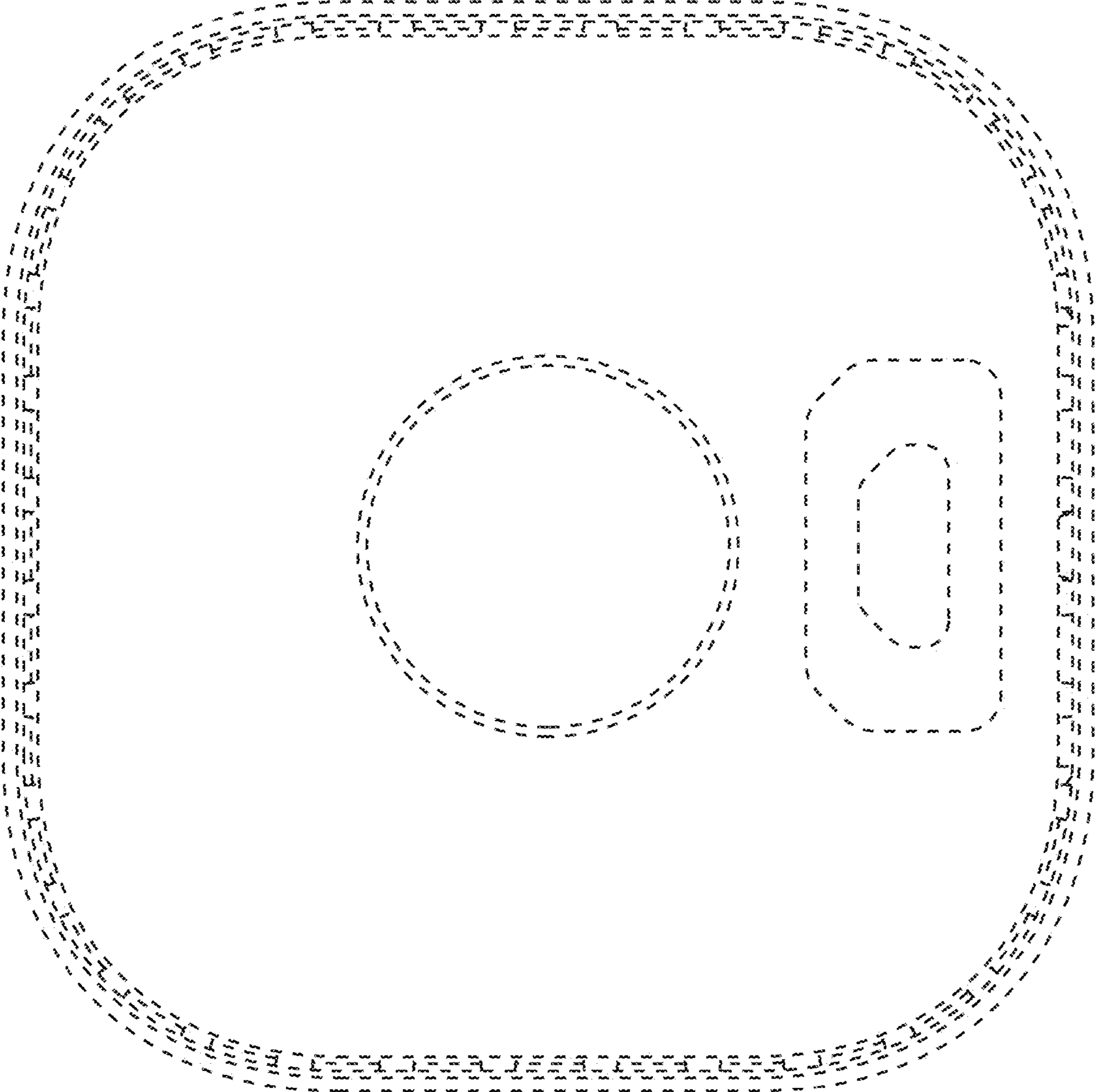
FIG. 1



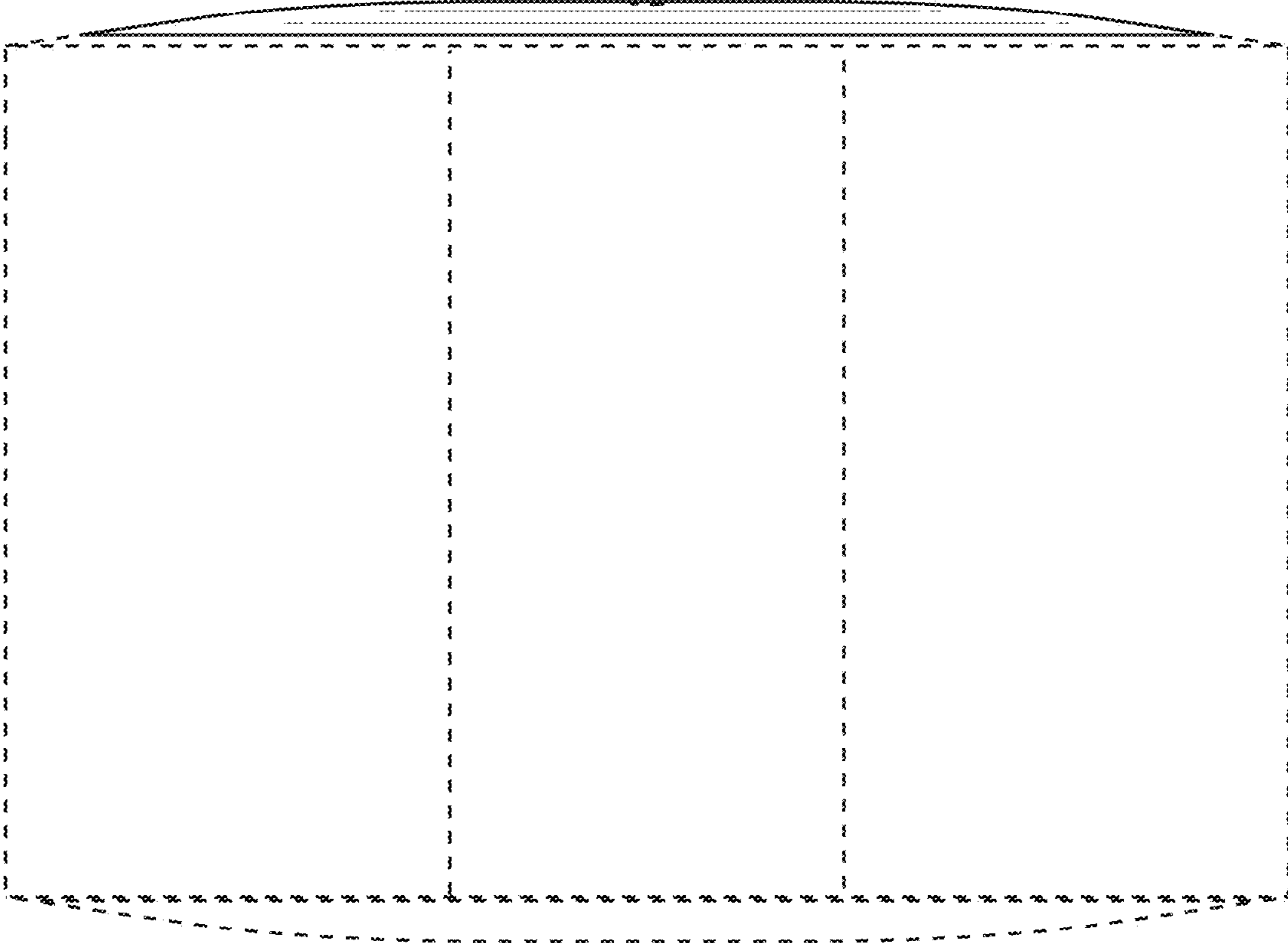
**FIG. 2**



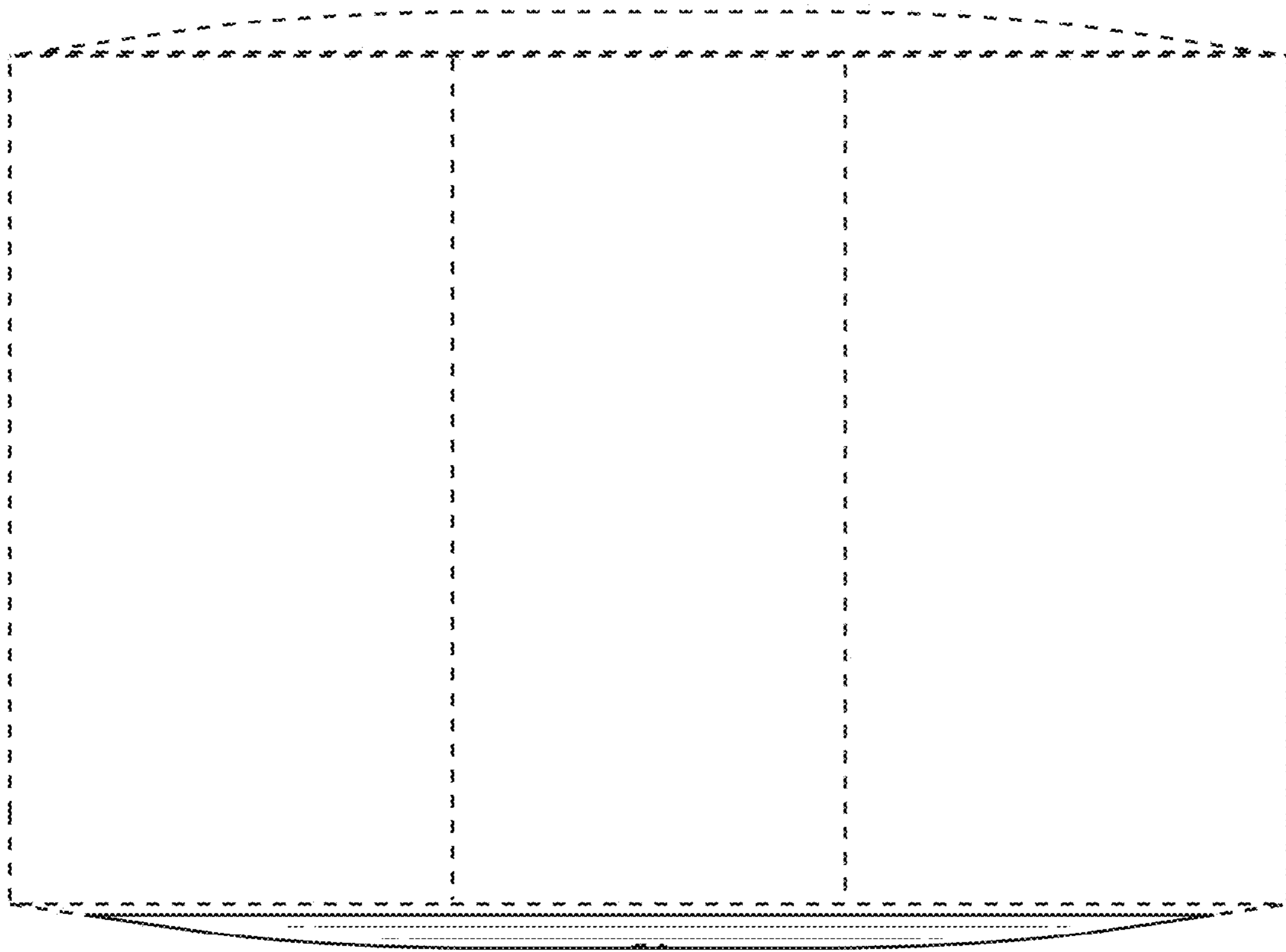
**FIG. 3**



**FIG. 4**

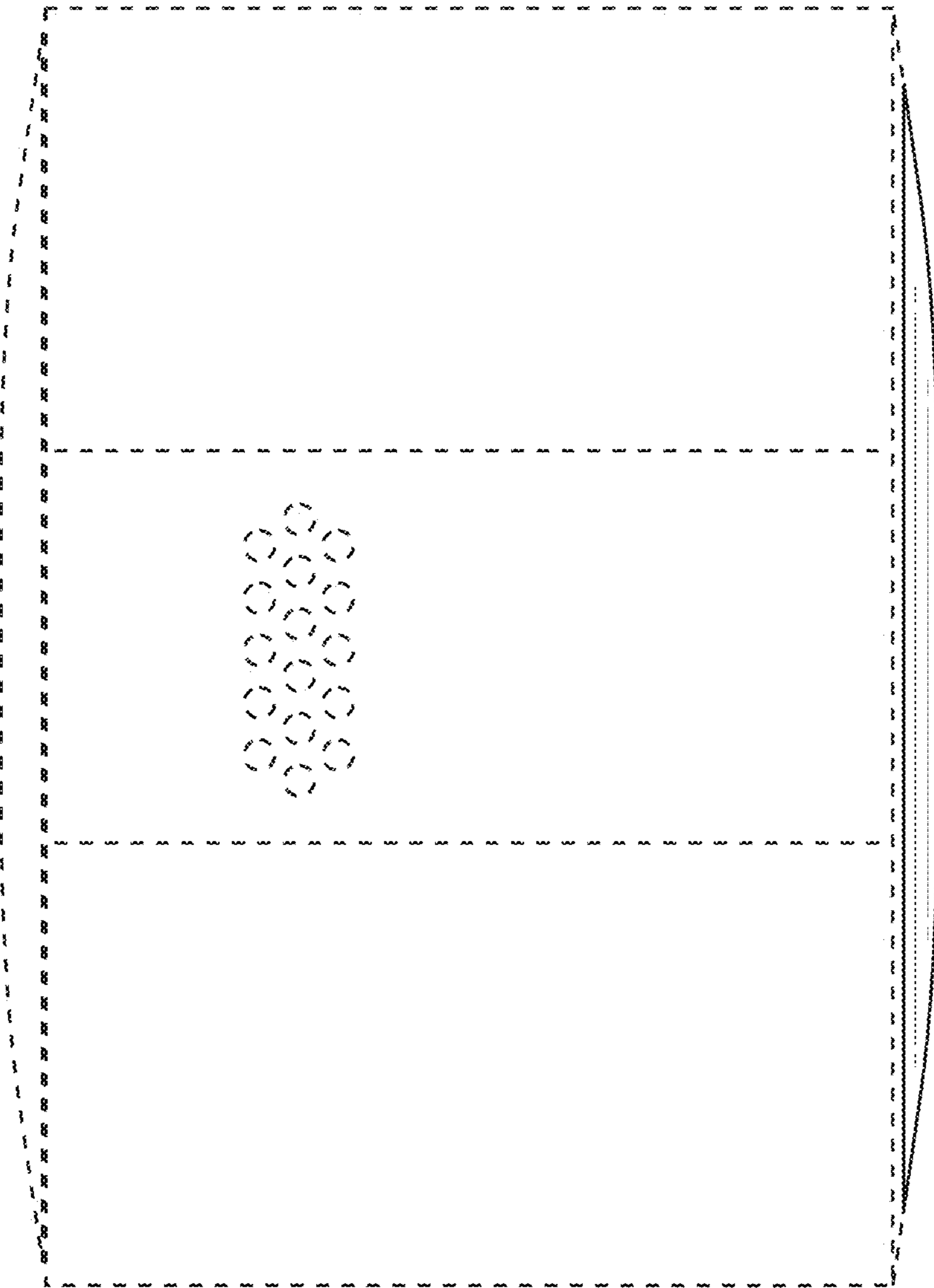


**FIG. 5**

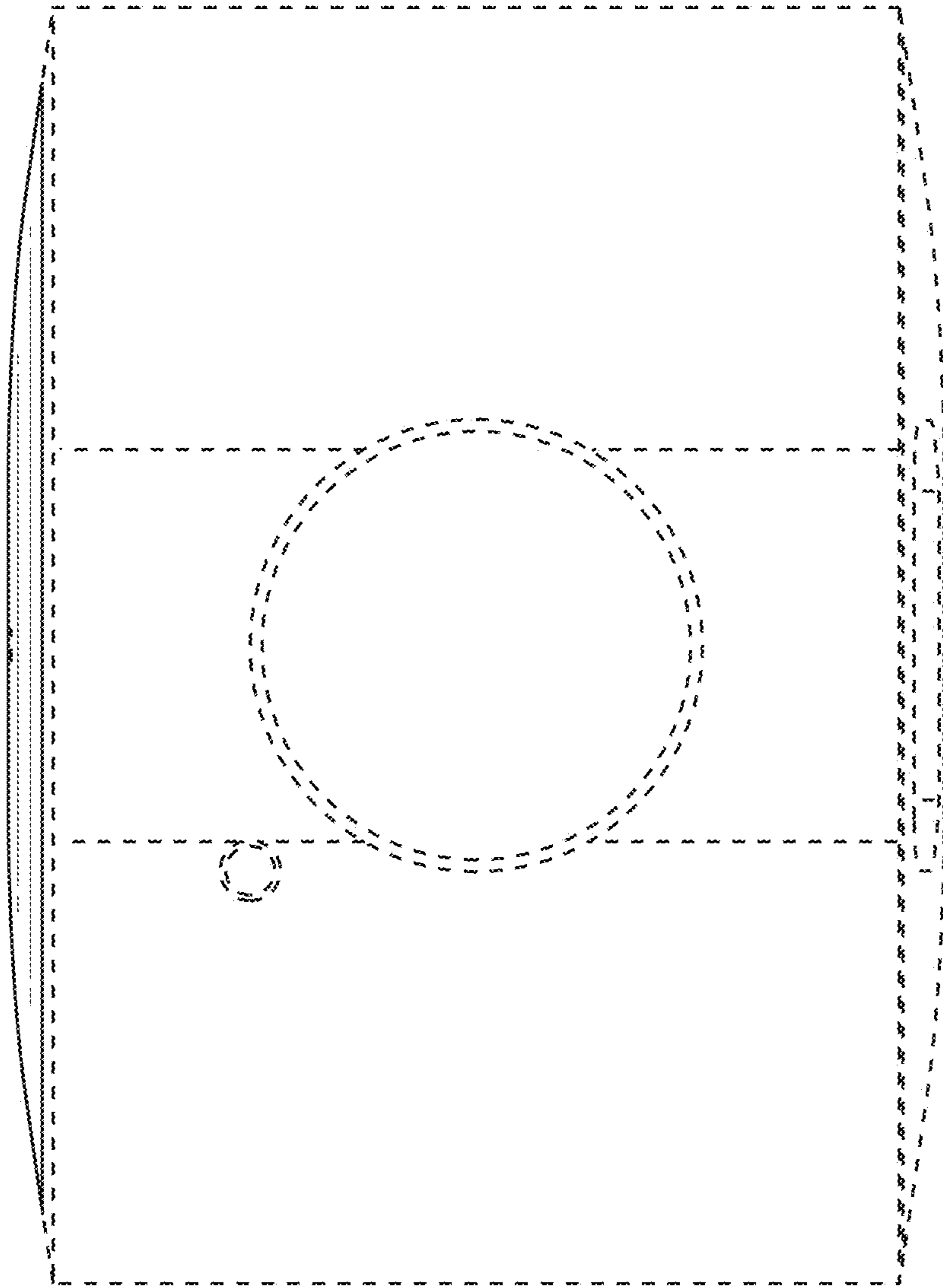


**FIG. 6**





**FIG. 7**



**FIG. 8**