



US00D945514S

(12) **United States Design Patent**
Saito

(10) **Patent No.:** **US D945,514 S**

(45) **Date of Patent:** **** Mar. 8, 2022**

(54) **DIGITAL CAMERA**

(71) Applicant: **FUJIFILM Corporation**, Tokyo (JP)

(72) Inventor: **Taiki Saito**, Saitama (JP)

(73) Assignee: **FUJIFILM Corporation**, Tokyo (JP)

(**) Term: **15 Years**

(21) Appl. No.: **29/716,745**

(22) Filed: **Dec. 11, 2019**

(30) **Foreign Application Priority Data**

Jun. 12, 2019 (JP) 2019-012933

(51) **LOC (13) Cl.** **16-05**

(52) **U.S. Cl.**
USPC **D16/219**

(58) **Field of Classification Search**
USPC D16/200, 202–206, 208, 209, 218, 219;
348/294, 373–376; 359/826; 396/6, 301,
396/529, 535, 539–541
CPC G03B 15/03; G03B 17/02; G03B 17/04;
G03B 17/08; G03B 17/56; G03B 19/04;
H04N 5/2251; H04N 5/2252; H04N
5/2253; H04N 5/2254; H04N 2101/00
See application file for complete search history.

(56) **References Cited**

U.S. PATENT DOCUMENTS

D657,408 S * 4/2012 Tainaka D16/202
D681,710 S * 5/2013 Sato D16/200

D698,839 S * 2/2014 Sato D16/200
D712,947 S * 9/2014 Chai D16/202
D749,659 S * 2/2016 Kamei D16/202
D750,151 S * 2/2016 Kamei D16/219
D794,693 S * 8/2017 Sato D16/202
D810,810 S * 2/2018 Abe D16/219
D852,254 S * 6/2019 Saito D16/202
D875,804 S * 2/2020 Li D16/202
D876,508 S * 2/2020 Osada D16/202
D883,356 S * 5/2020 Ikegame D16/202
D894,249 S * 8/2020 Kamei D16/202

* cited by examiner

Primary Examiner — Ramzi Almatrahi

(74) *Attorney, Agent, or Firm* — Studebaker & Brackett
PC

(57) **CLAIM**

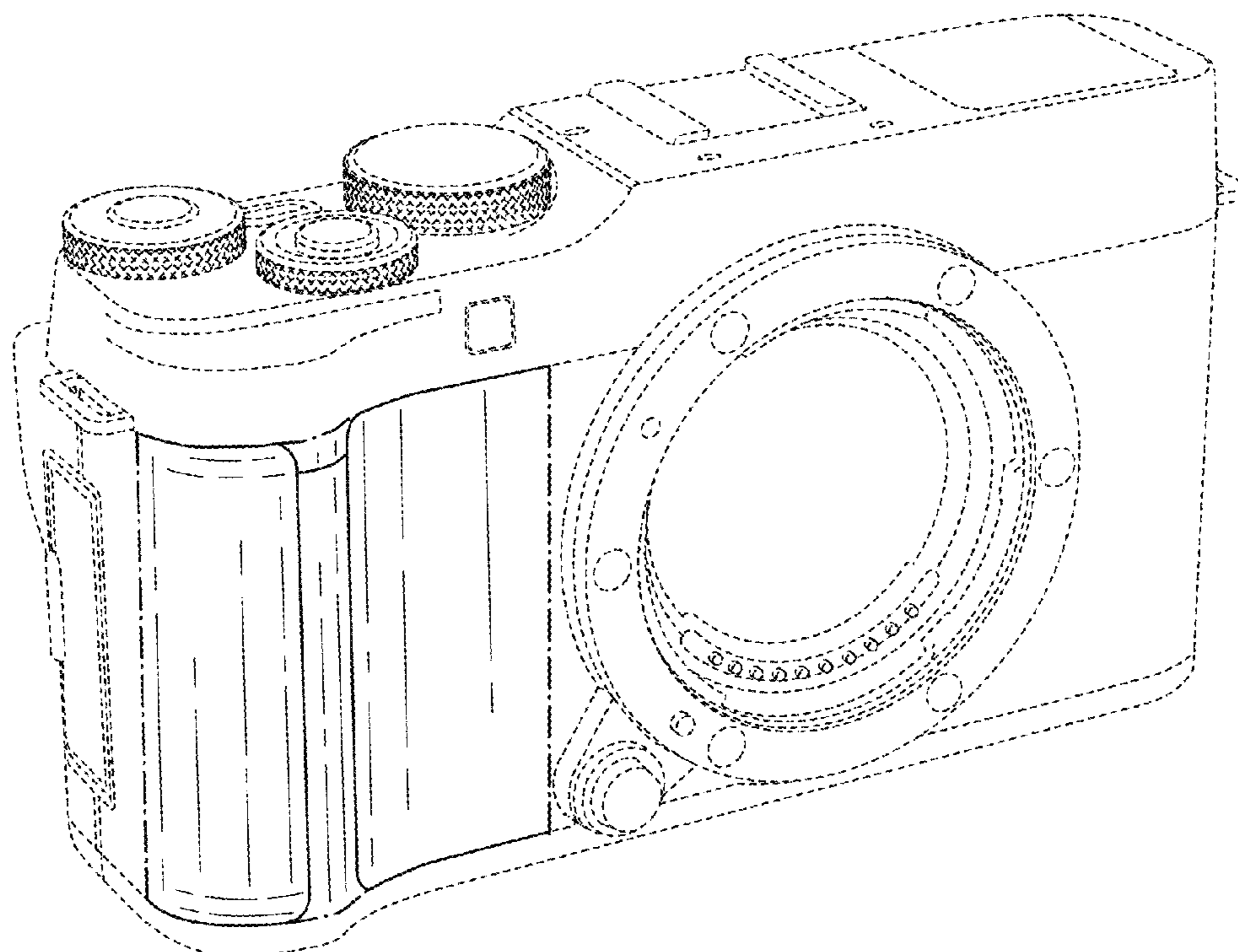
The ornamental design for a digital camera, as shown and described.

DESCRIPTION

FIG. 1 is a perspective view of a digital camera, showing the new design;
FIG. 2 is a front view thereof;
FIG. 3 is a left side view thereof;
FIG. 4 is a right side view thereof;
FIG. 5 is a top view thereof; and,
FIG. 6 is a bottom view thereof.

The broken lines depict portions of the digital camera in which the design is embodied that form no part of the claimed design. Additionally, the dash-dot lines denote the boundary of the claim and form no part of the claimed design.

1 Claim, 6 Drawing Sheets



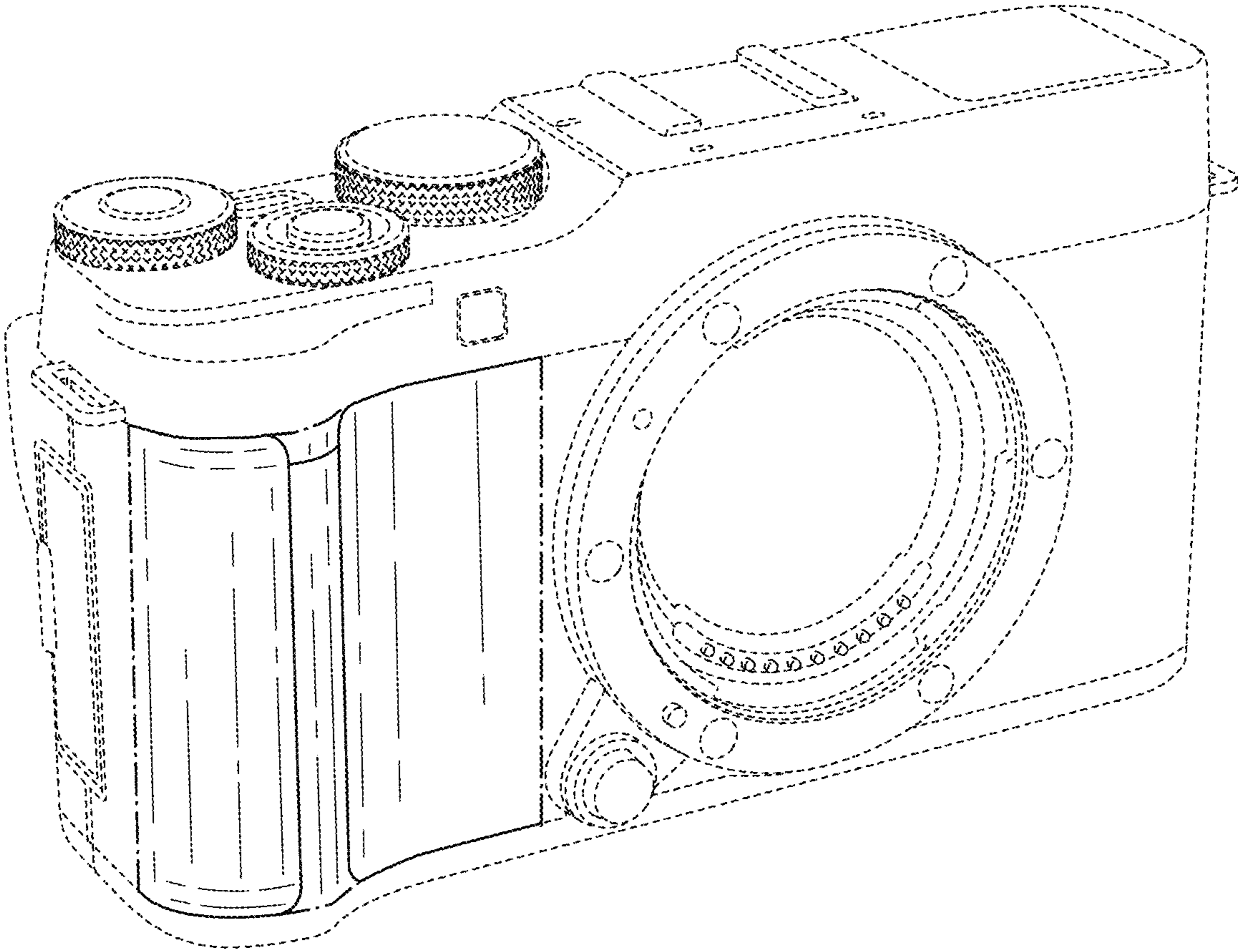


FIG. 1

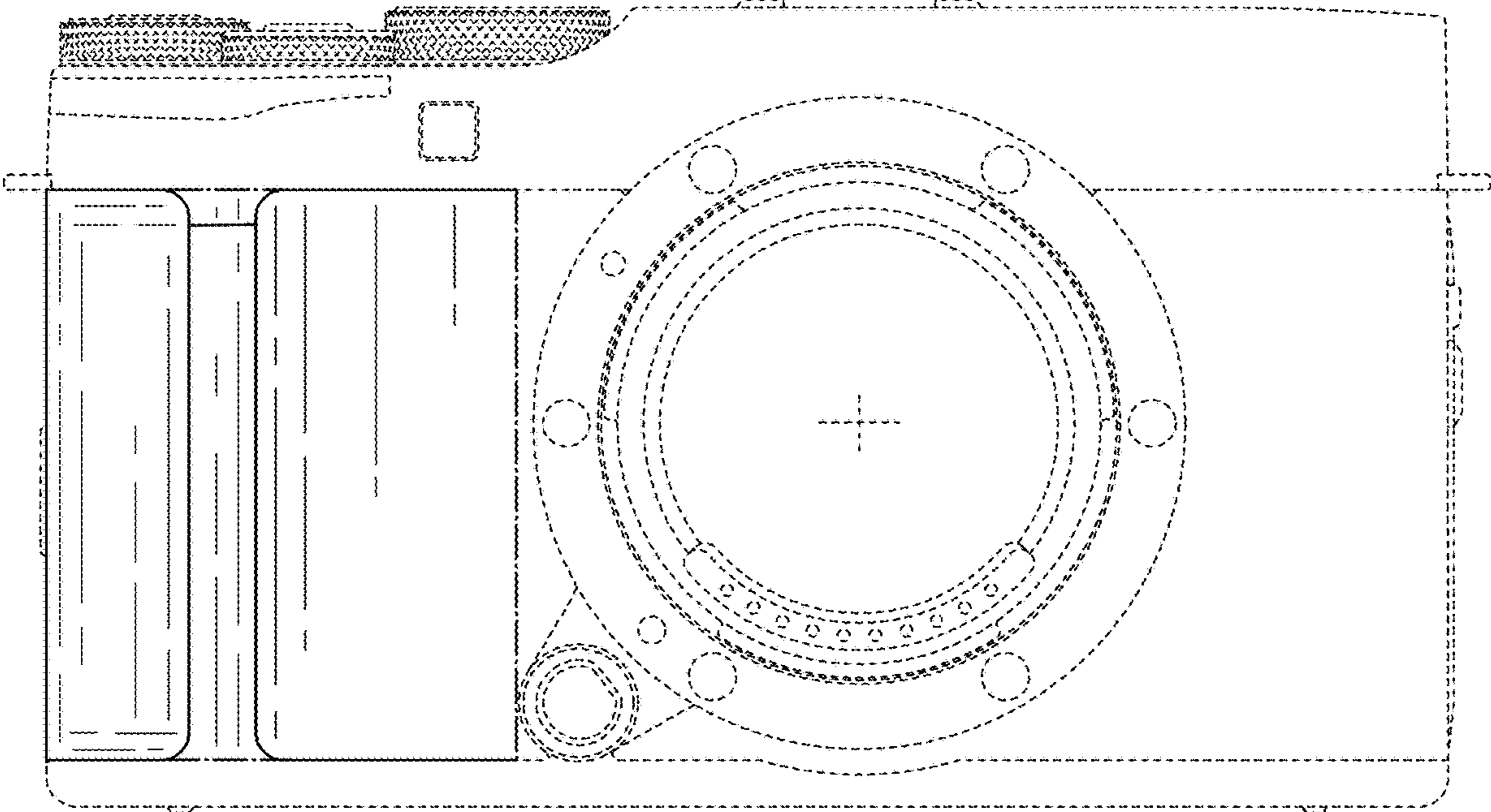


FIG.2

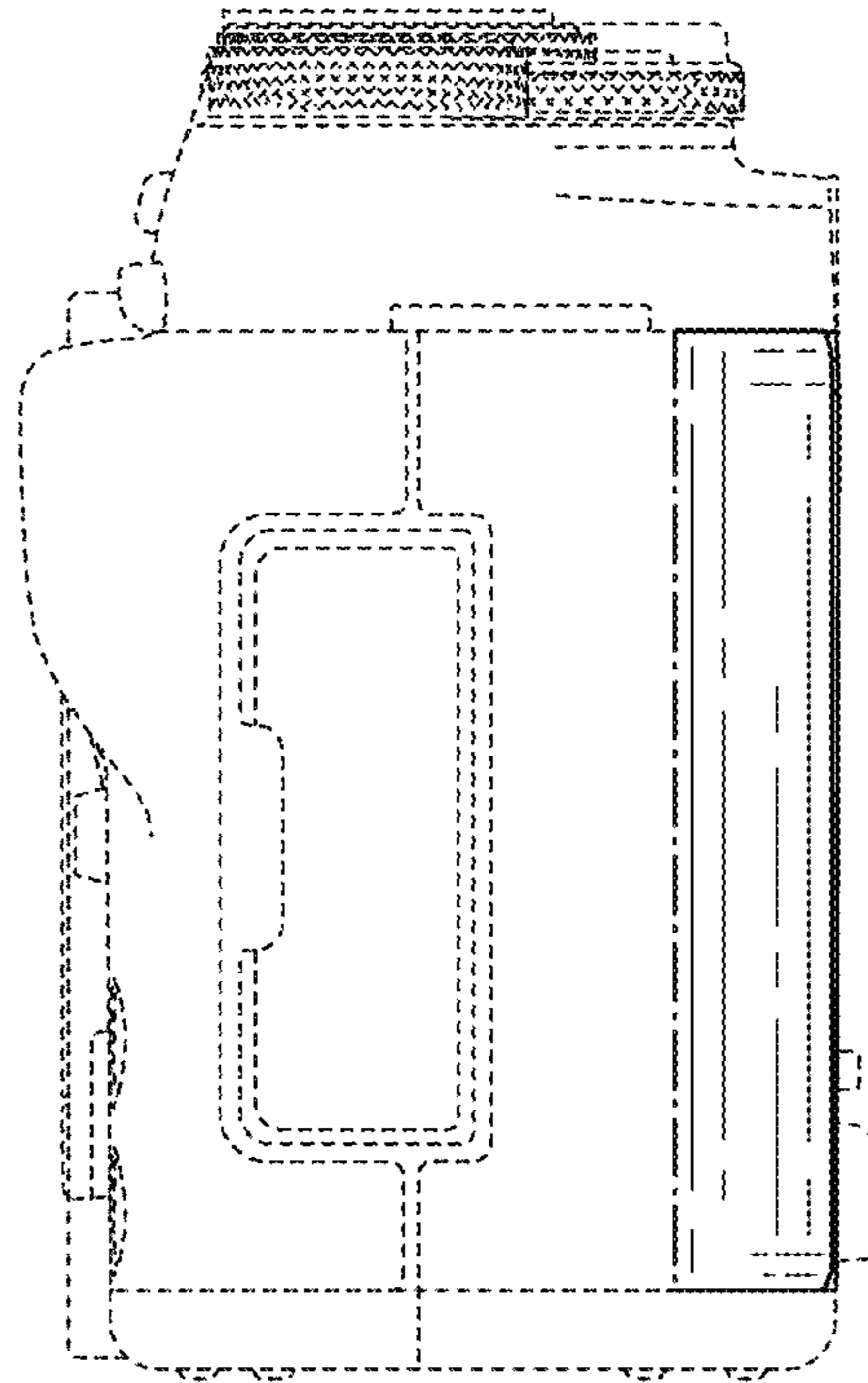


FIG.3

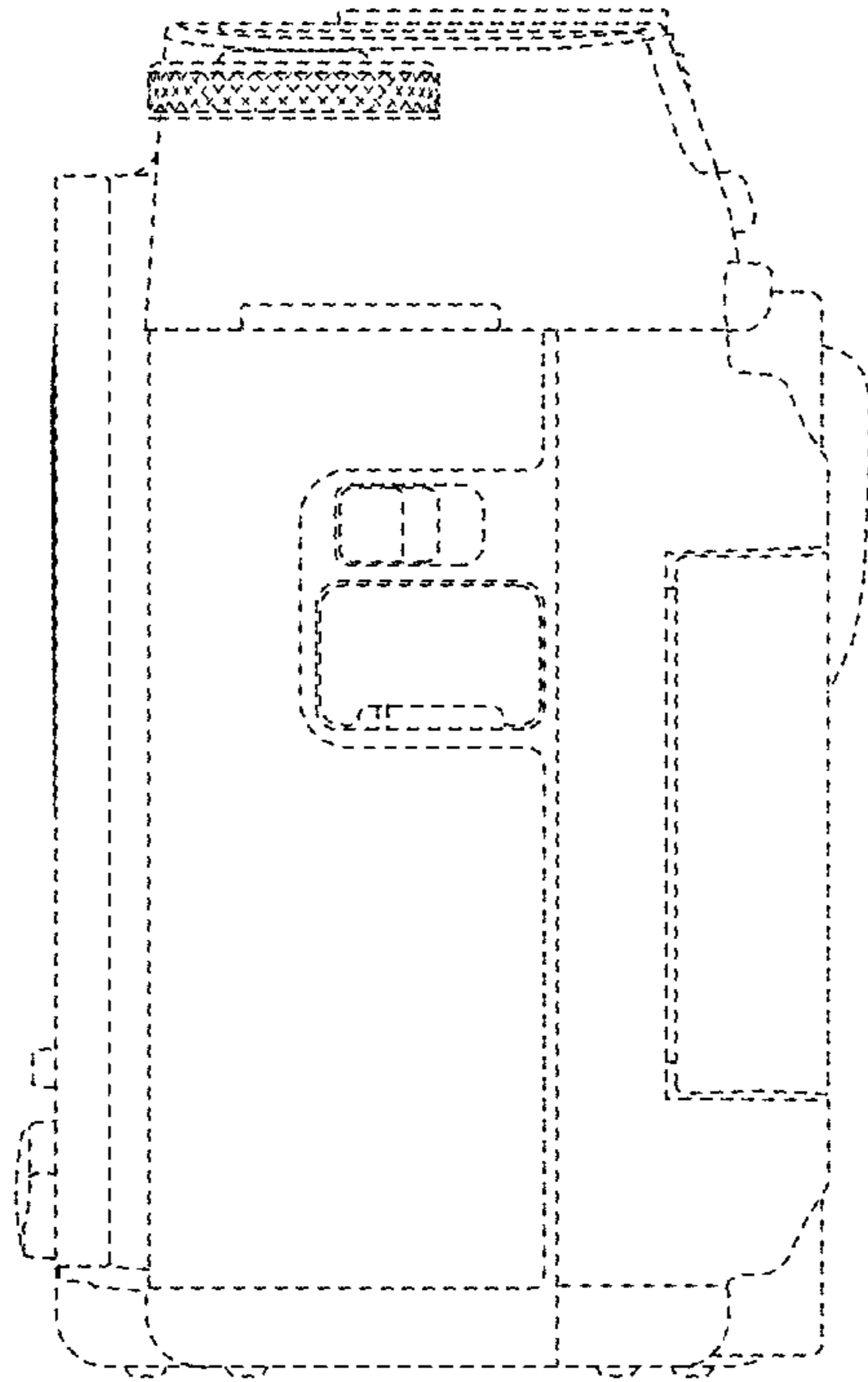


FIG.4

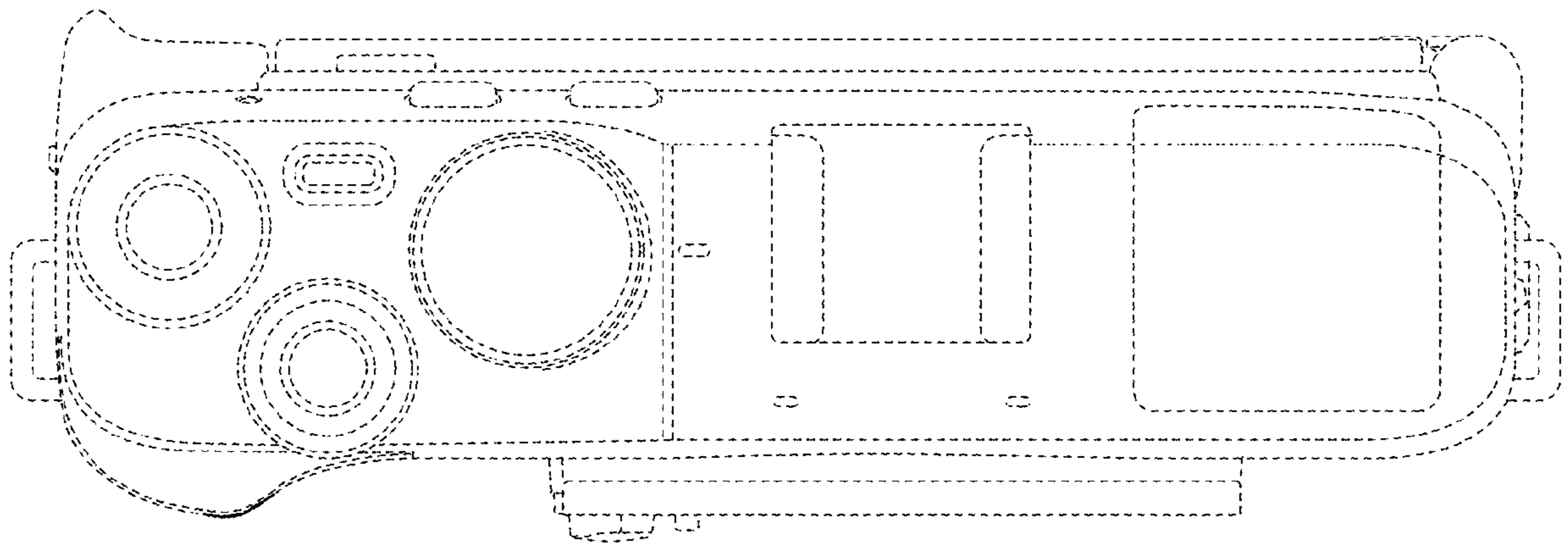


FIG.5

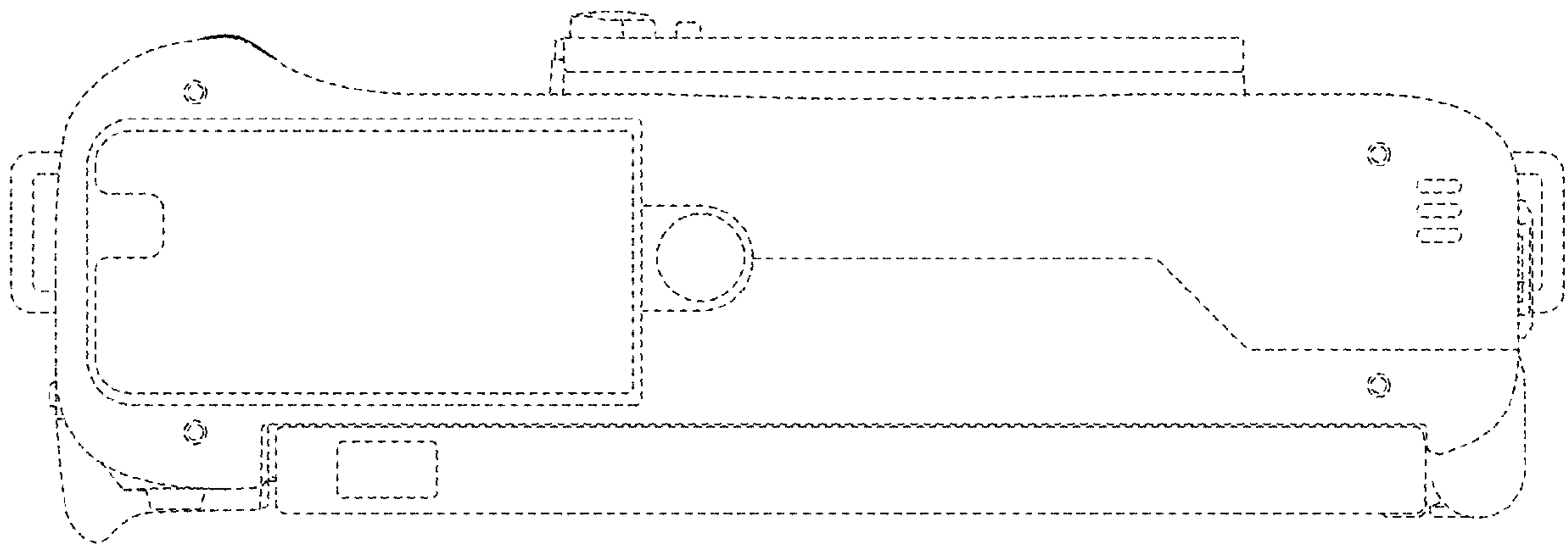


FIG.6