



US00D945513S

(12) **United States Design Patent**  
**Han et al.**

(10) **Patent No.:** **US D945,513 S**

(45) **Date of Patent:** **\*\* Mar. 8, 2022**

(54) **CAMERA**

(71) Applicant: **Shenzhen Fuxin Electronics Co., Ltd.**,  
Guangdong (CN)

(72) Inventors: **Bolin Han**, Guangdong (CN);  
**Yongchun Ren**, Guangdong (CN)

(73) Assignee: **Shenzhen Fuxin Electronics Co., Ltd.**,  
Guangdong (CN)

(\*\*) Term: **15 Years**

(21) Appl. No.: **29/750,190**

(22) Filed: **Sep. 11, 2020**

(51) **LOC (13) Cl.** ..... **16-01**

(52) **U.S. Cl.**  
USPC ..... **D16/218**

(58) **Field of Classification Search**  
USPC ..... D16/200, 202–206, 208, 209, 218, 219;  
348/294, 373–376; 359/826; 396/6, 529,  
396/535, 539–541

CPC ..... G03B 15/03; G03B 17/02; G03B 17/04;  
G03B 17/56; G03B 19/04; H04N 5/2251;  
H04N 5/2252; H04N 5/2253; H04N  
5/2254; H04N 2101/00

See application file for complete search history.

(56) **References Cited**

**U.S. PATENT DOCUMENTS**

D721,395 S *	1/2015	Woodman	.....	D16/218
D750,686 S *	3/2016	Chen	.....	D16/218
D751,131 S *	3/2016	Woodman	.....	D16/218
D772,966 S *	11/2016	Song	.....	D16/200
D775,254 S *	12/2016	Parfitt	.....	D16/202

D791,848 S *	7/2017	Zhu	.....	D16/200
D806,155 S *	12/2017	Parfitt	.....	D16/202
D832,905 S *	11/2018	Liu	.....	D16/202
D836,696 S *	12/2018	Zhang	.....	D16/202
D839,335 S *	1/2019	Zhang	.....	D16/202
D849,084 S *	5/2019	Hu	.....	D16/202
D850,513 S *	6/2019	Gan	.....	D16/218
D855,675 S *	8/2019	Luo	.....	D16/202
D856,392 S *	8/2019	Luo	.....	D16/202
D857,076 S *	8/2019	Gan	.....	D16/202
D865,843 S *	11/2019	Hu	.....	D16/218
D872,162 S *	1/2020	Gao	.....	D16/218
D881,972 S *	4/2020	Guo	.....	D16/218

\* cited by examiner

*Primary Examiner* — Ramzi Almatrahi

(74) *Attorney, Agent, or Firm* — ScienBiziP, P.C.

(57) **CLAIM**

The ornamental design for a camera, as shown and described.

**DESCRIPTION**

FIG. 1 is a top, front and right side perspective view of a camera showing our design;

FIG. 2 is a bottom, front and left side perspective view thereof;

FIG. 3 is a front elevation view thereof;

FIG. 4 is a rear elevation view thereof;

FIG. 5 is a left side elevation thereof;

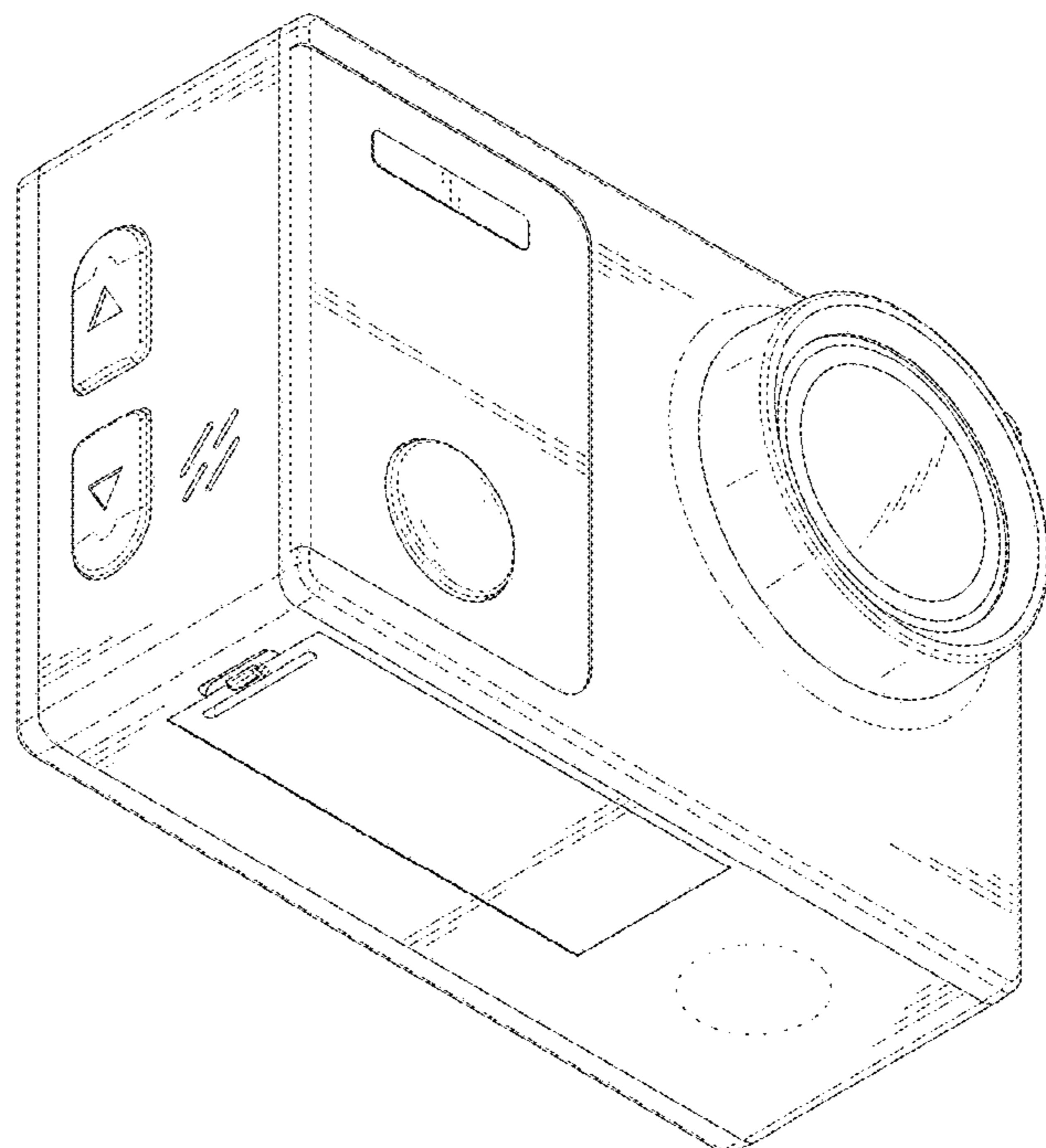
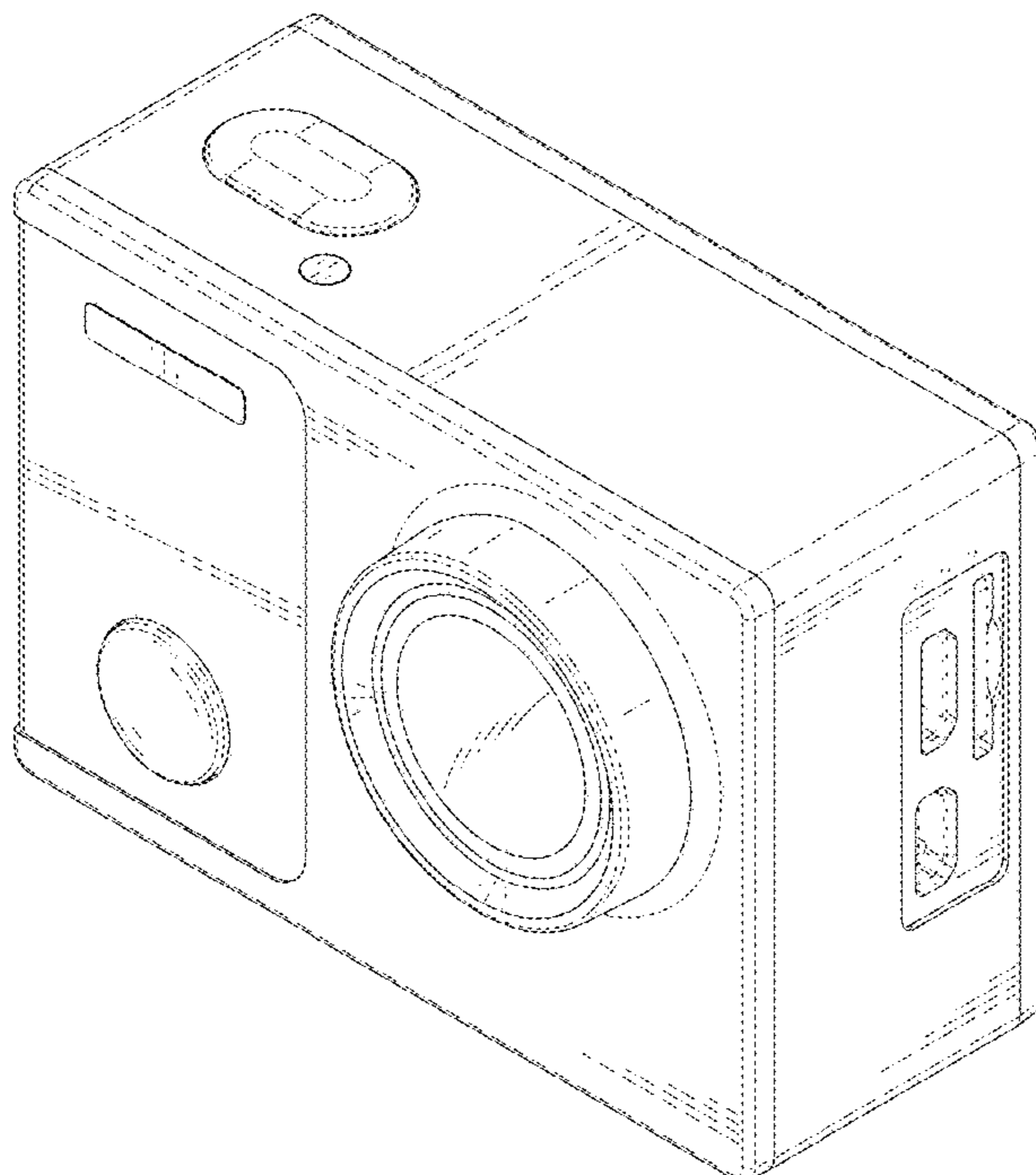
FIG. 6 is a right side elevation thereof;

FIG. 7 is a top plan view thereof; and,

FIG. 8 is a bottom plan view thereof.

The broken lines depict portions of the camera in which the design is embodied that form no part of the claimed design.

**1 Claim, 8 Drawing Sheets**



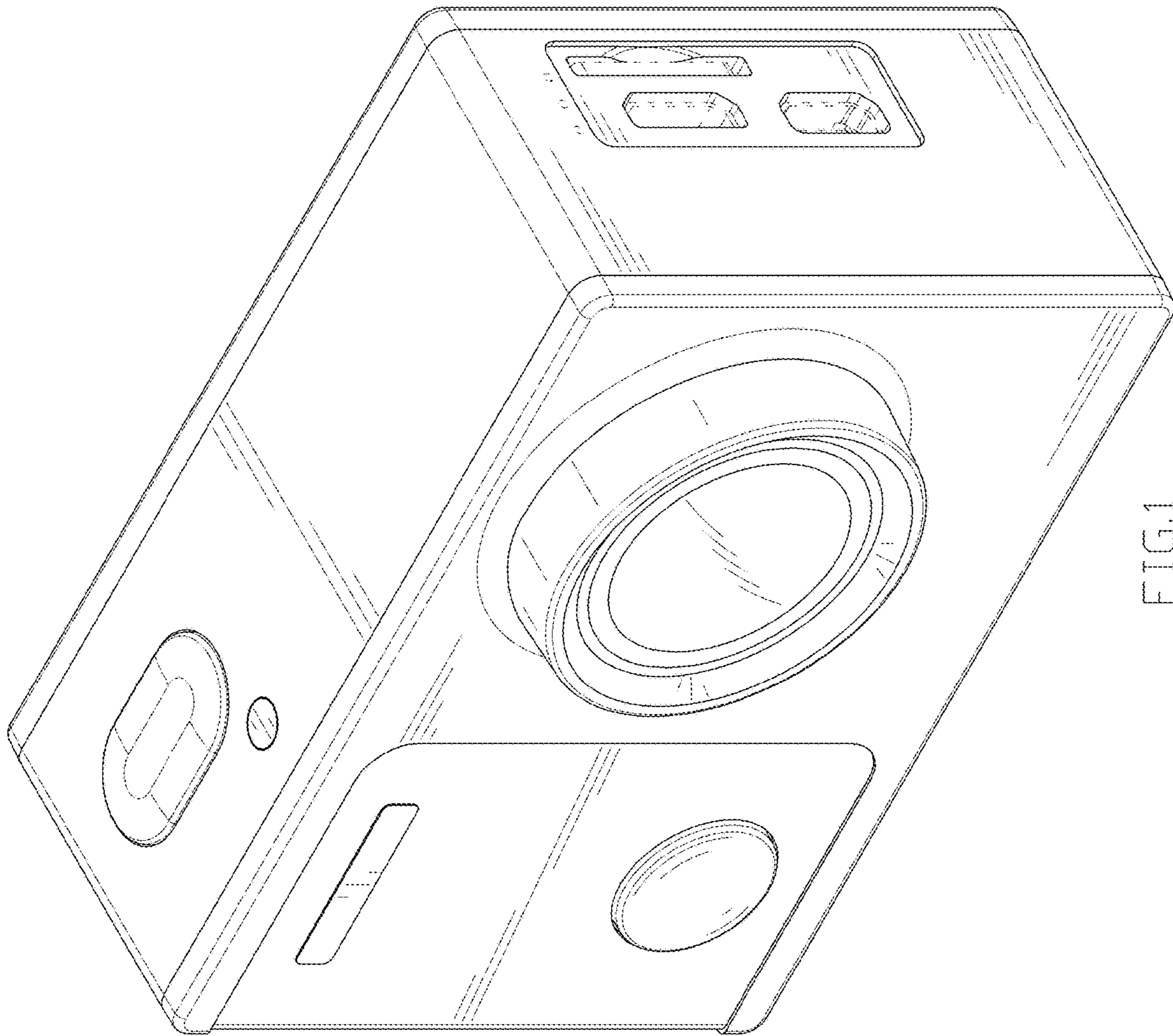


FIG.1

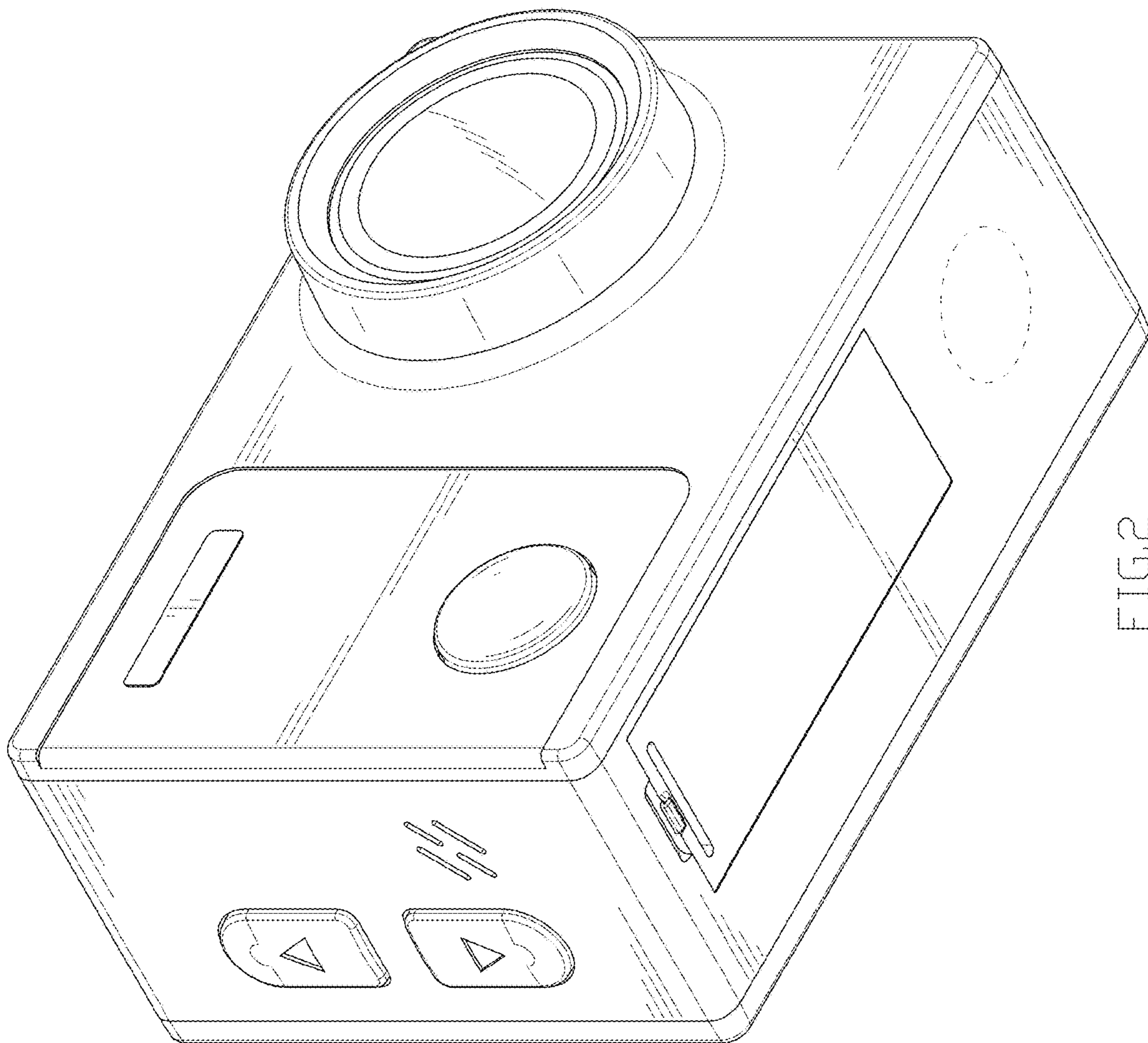


FIG. 2

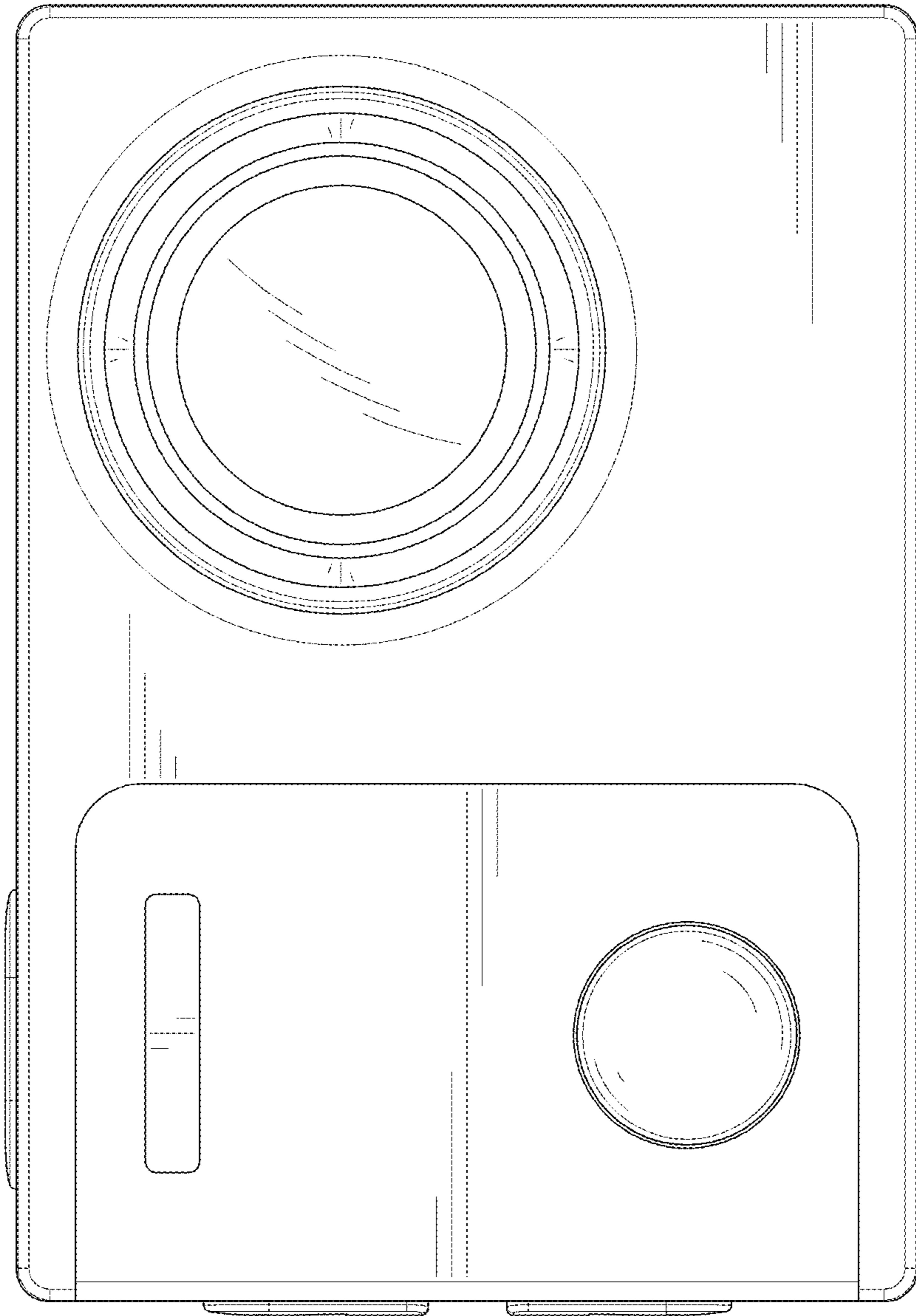


FIG. 3

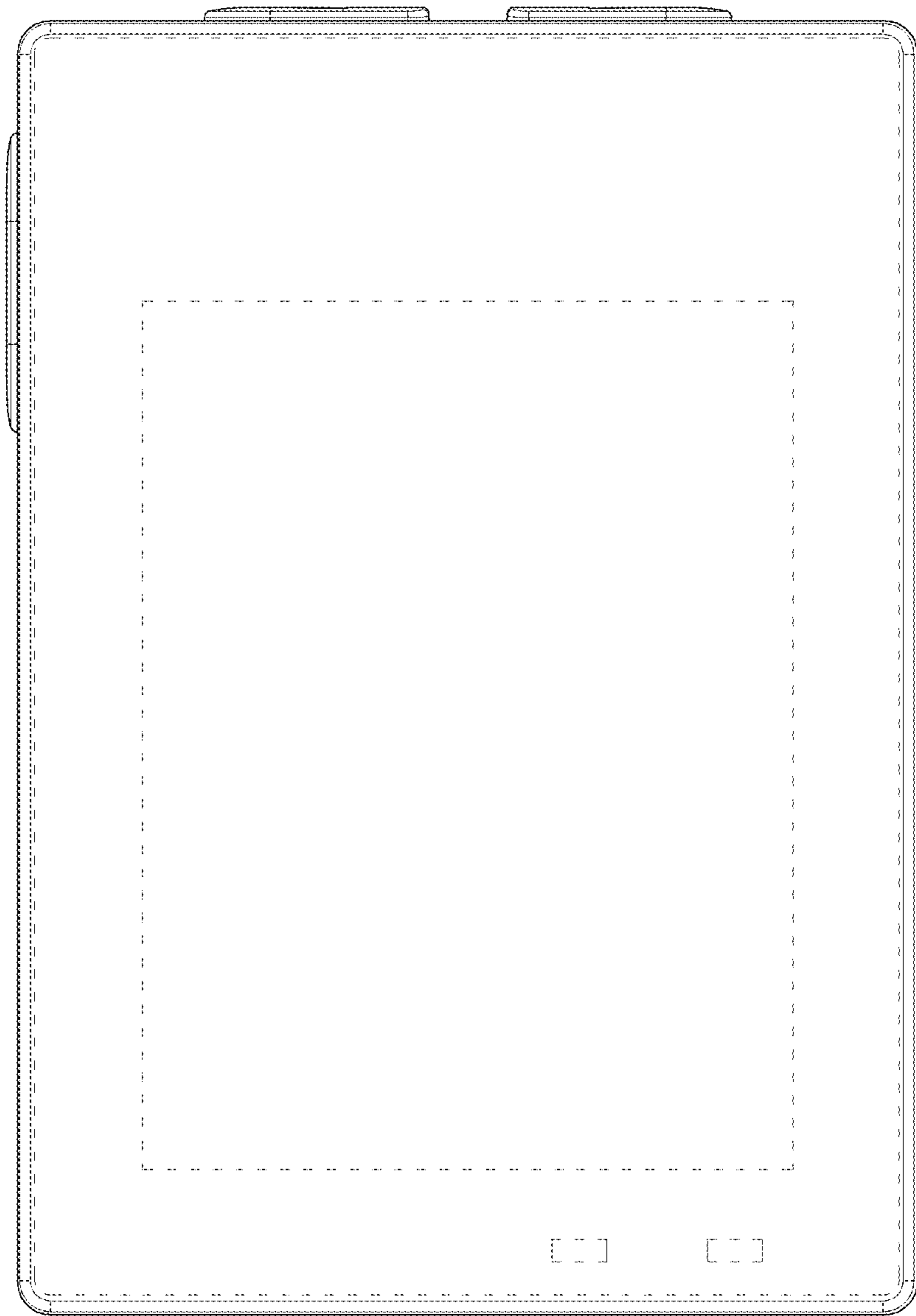


FIG. 4

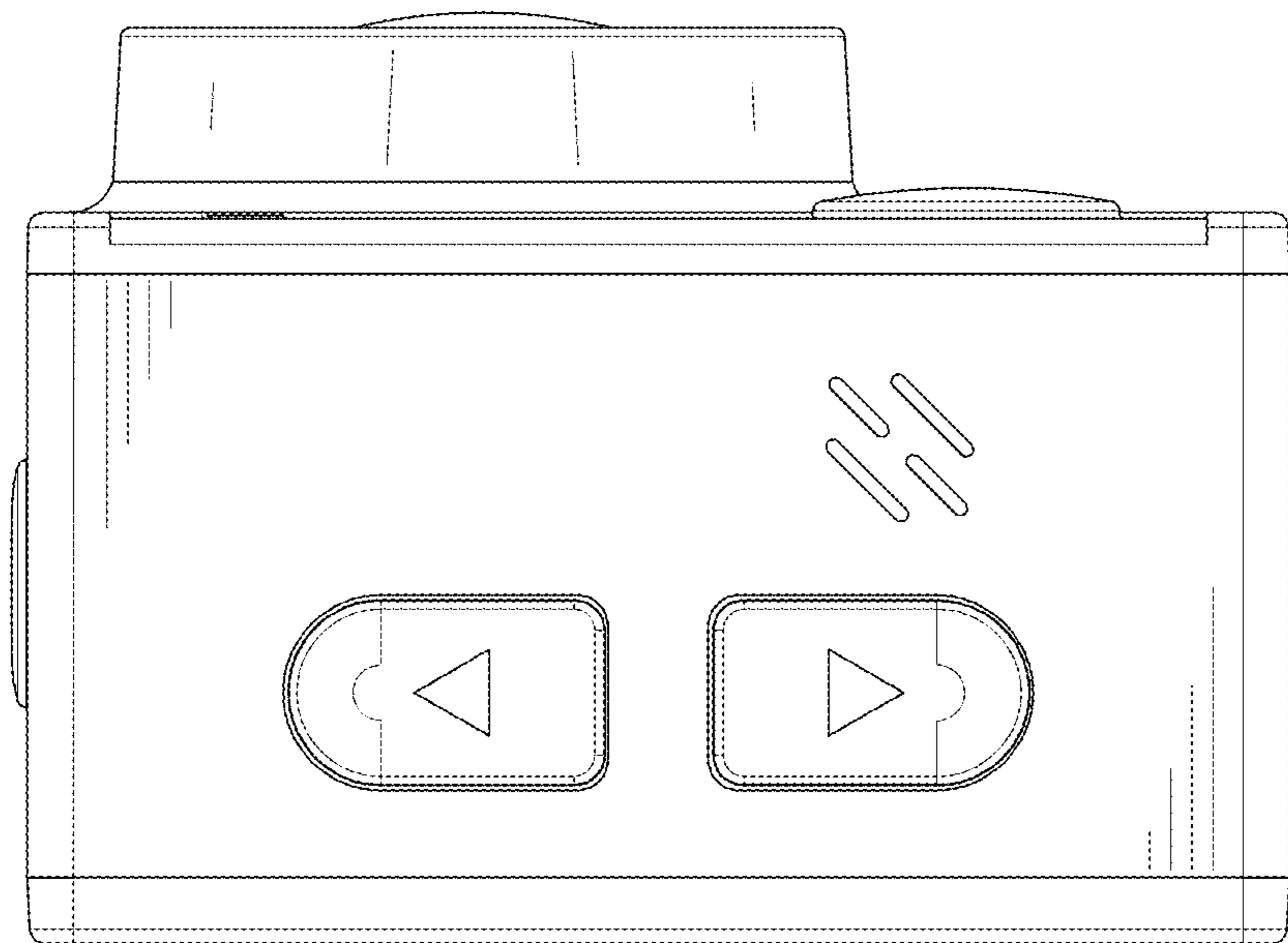


FIG. 5

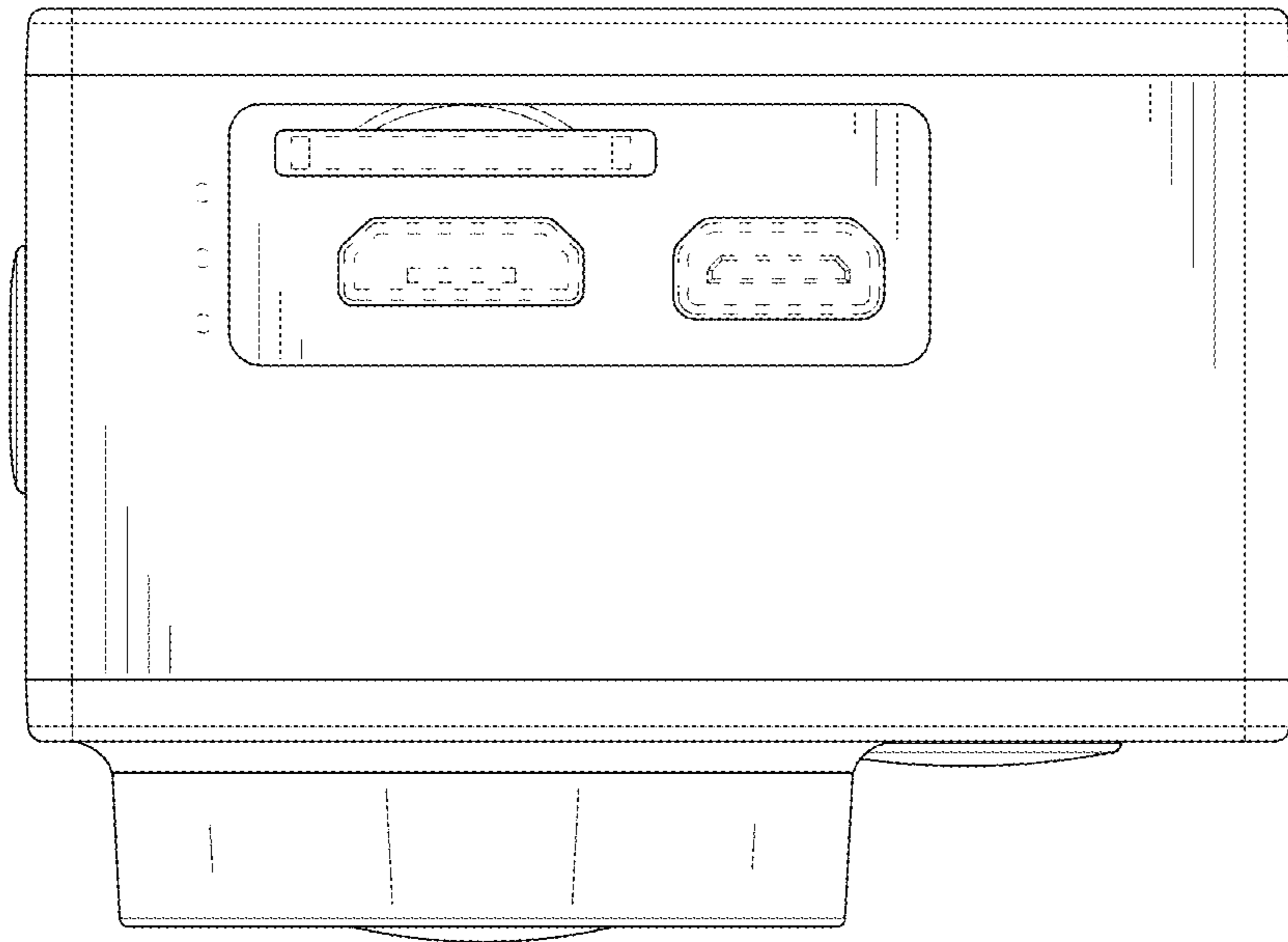


FIG.6

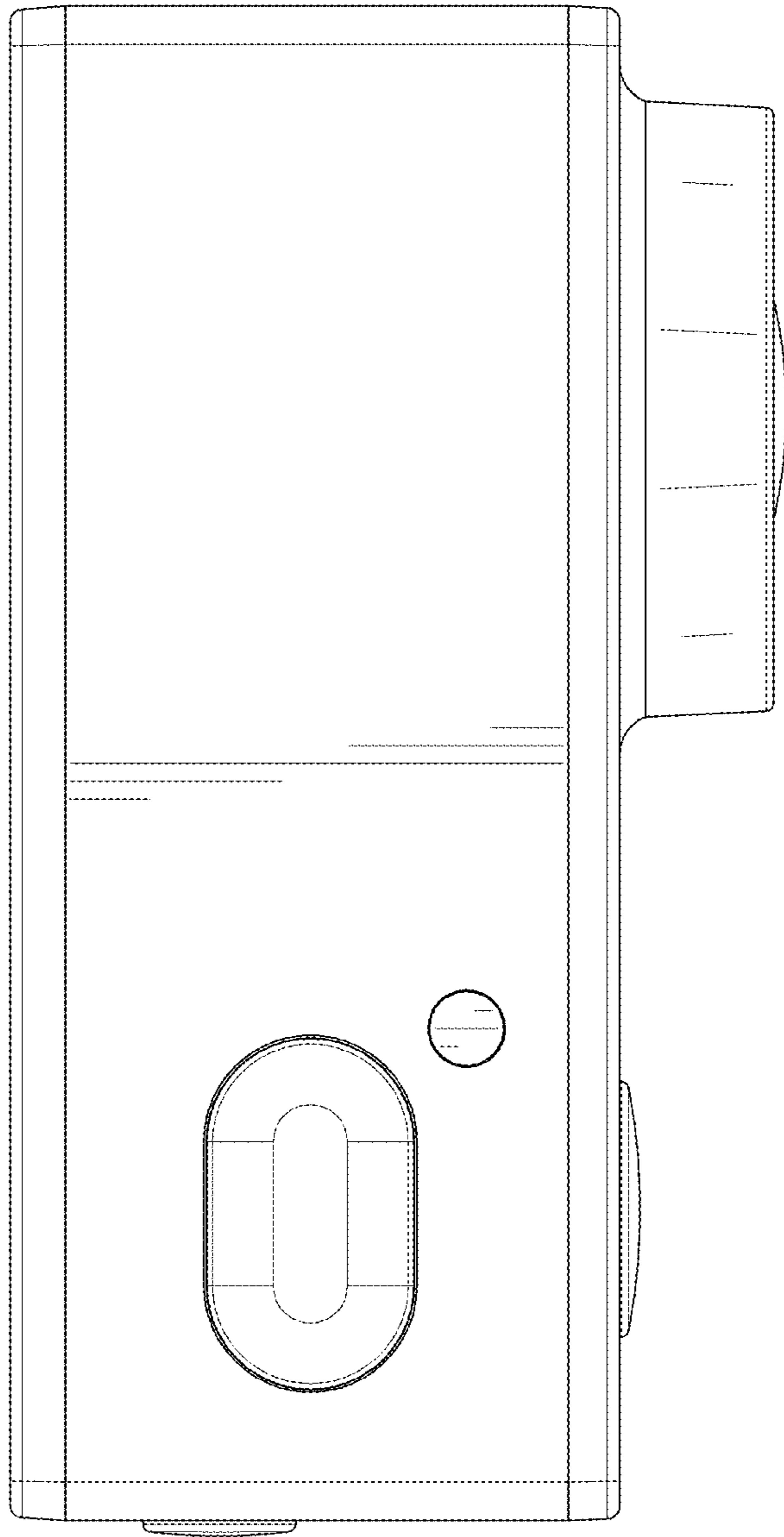


FIG. 7



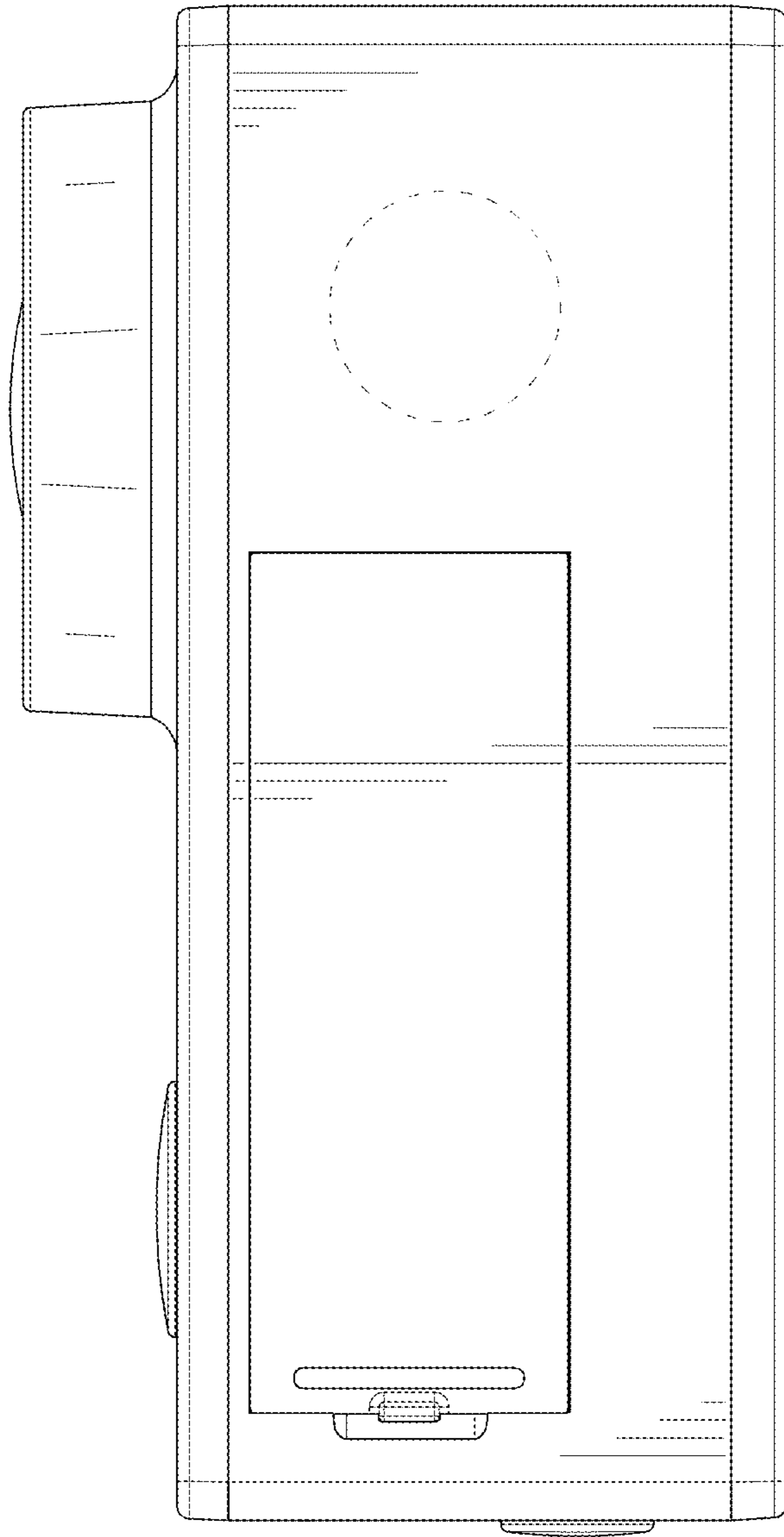


FIG. 8