



US00D945512S

(12) **United States Design Patent**  
**Yu**

(10) **Patent No.:** **US D945,512 S**  
(45) **Date of Patent:** **\*\* Mar. 8, 2022**

(54) **HUNTING CAMERA**

(71) Applicant: **Shenzhen Longzhiyuan Technology Co., Ltd.**, Shenzhen (CN)

(72) Inventor: **Mengchu Yu**, Shenzhen (CN)

(73) Assignee: **SHENZHEN LONGZHIYUAN TECHNOLOGY CO., LTD.**, Shenzhen (CN)

(\*\*) Term: **15 Years**

(21) Appl. No.: **29/740,971**

(22) Filed: **Jul. 8, 2020**

(30) **Foreign Application Priority Data**

Apr. 27, 2020 (CN) ..... 202030181718.1

(51) **LOC (13) Cl.** ..... **16-01**

(52) **U.S. Cl.**  
USPC ..... **D16/203**

(58) **Field of Classification Search**  
USPC ..... D16/200, 202–206, 218, 219, 242;  
348/143, 148, 151, 155, 164, 373–376;  
396/419, 427, 535, 539–541  
CPC ..... G03B 17/02; G03B 19/04; G03B 17/56;  
G03B 17/04; G03B 15/03; H04N 5/2251;  
H04N 5/2252; H04N 5/2253; H04N  
5/2254; H04N 7/181; H04N 7/183; H04N  
7/18; G08B 13/1963; G08B 13/19619;  
G08B 13/19632; G08B 13/19602; G08B  
13/19634; F16M 11/04; F16M 13/00  
See application file for complete search history.

(56) **References Cited**

**U.S. PATENT DOCUMENTS**

D777,239 S \* 1/2017 Costa ..... D16/242  
D838,306 S \* 1/2019 Yu ..... D16/218

D838,763 S \* 1/2019 Yu ..... D16/218  
D872,791 S \* 1/2020 Chen ..... D16/203  
D874,537 S \* 2/2020 Ye ..... D16/203  
D874,546 S \* 2/2020 Yu ..... D16/218  
D874,547 S \* 2/2020 Yu ..... D16/218  
D880,555 S \* 4/2020 Yu ..... D16/203  
D883,358 S \* 5/2020 Ren ..... D16/203  
D883,359 S \* 5/2020 Ren ..... D16/203  
D883,360 S \* 5/2020 Ren ..... D16/203  
D918,986 S \* 5/2021 Yu ..... D16/218  
D932,535 S \* 10/2021 Yu ..... D16/203

\* cited by examiner

*Primary Examiner* — Ramzi Almatrahi

(74) *Attorney, Agent, or Firm* — Dragon Sun Law Firm,  
PC; Jinggao Li, Esq.

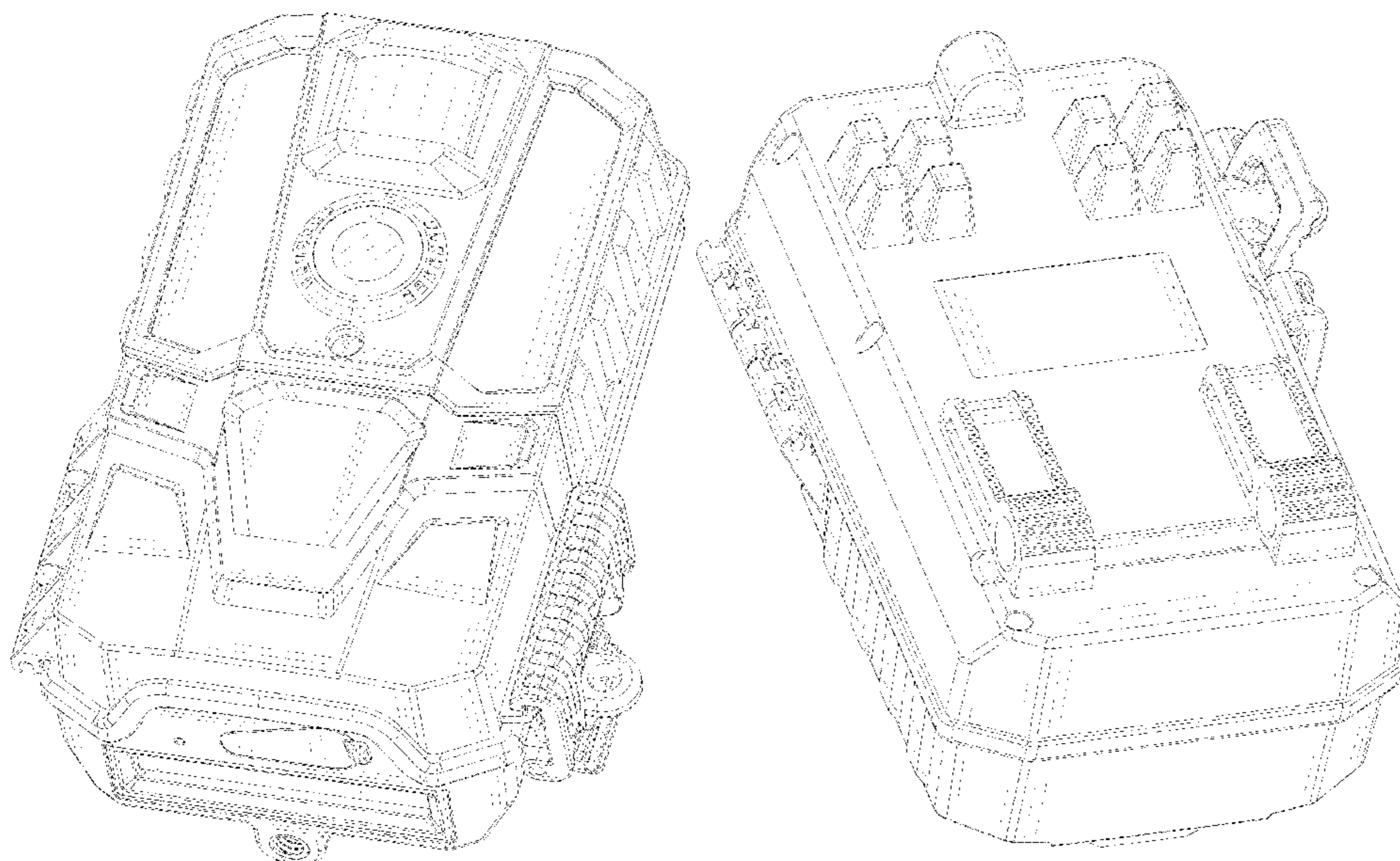
(57) **CLAIM**

The ornamental design for a hunting camera, as shown and described.

**DESCRIPTION**

FIG. 1 is a bottom, front and right side perspective view of a hunting camera showing my new design;  
FIG. 2 is a top, back and left side perspective view thereof;  
FIG. 3 is a front elevational view thereof;  
FIG. 4 is a back elevational view thereof;  
FIG. 5 is a left side elevational view thereof;  
FIG. 6 is a right side elevational view thereof;  
FIG. 7 is a top plan view thereof; and,  
FIG. 8 is a bottom plan view thereof.  
The broken lines in the drawings illustrate portions of the hunting camera and form no part of the claimed design.

**1 Claim, 8 Drawing Sheets**



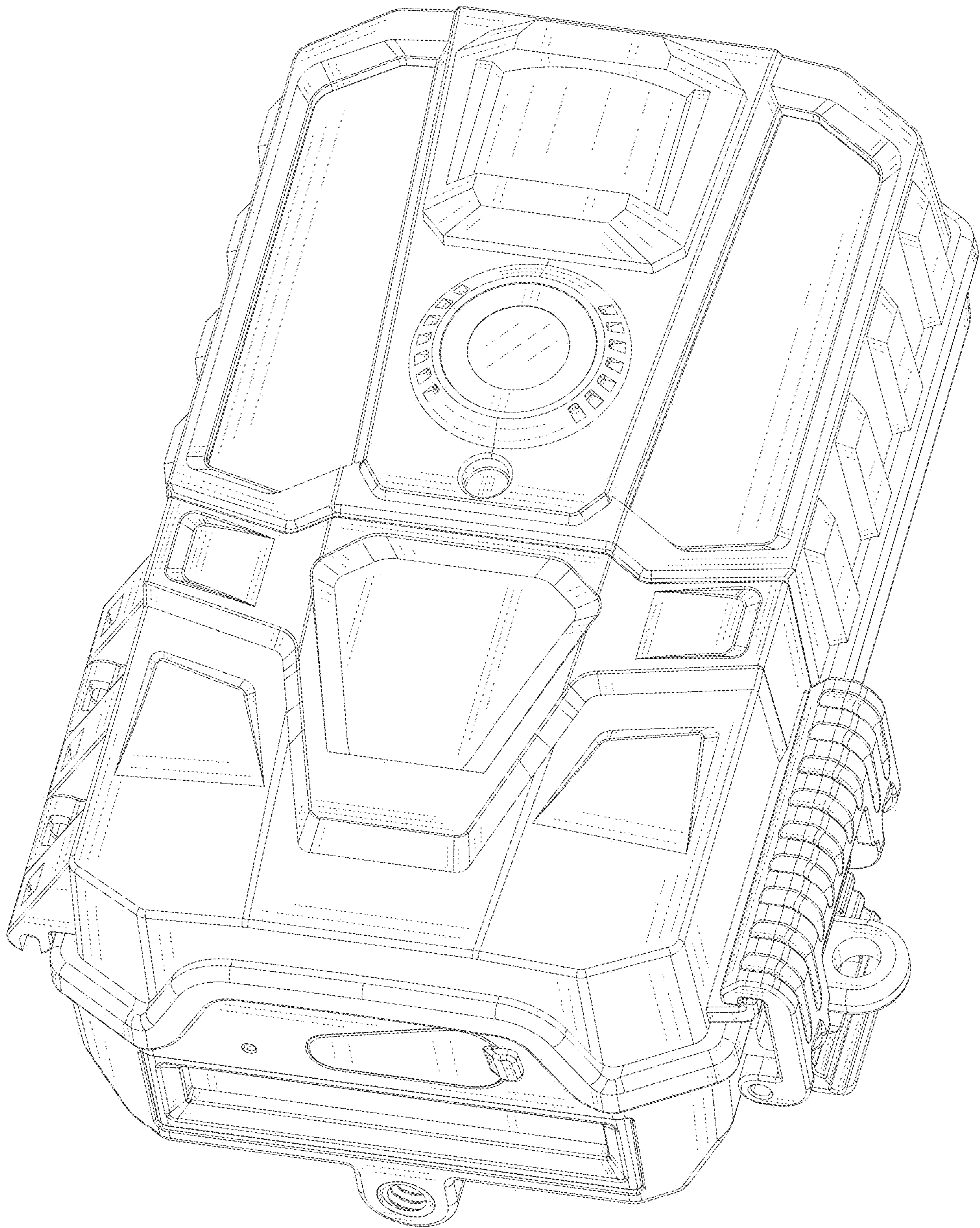


FIG. 1



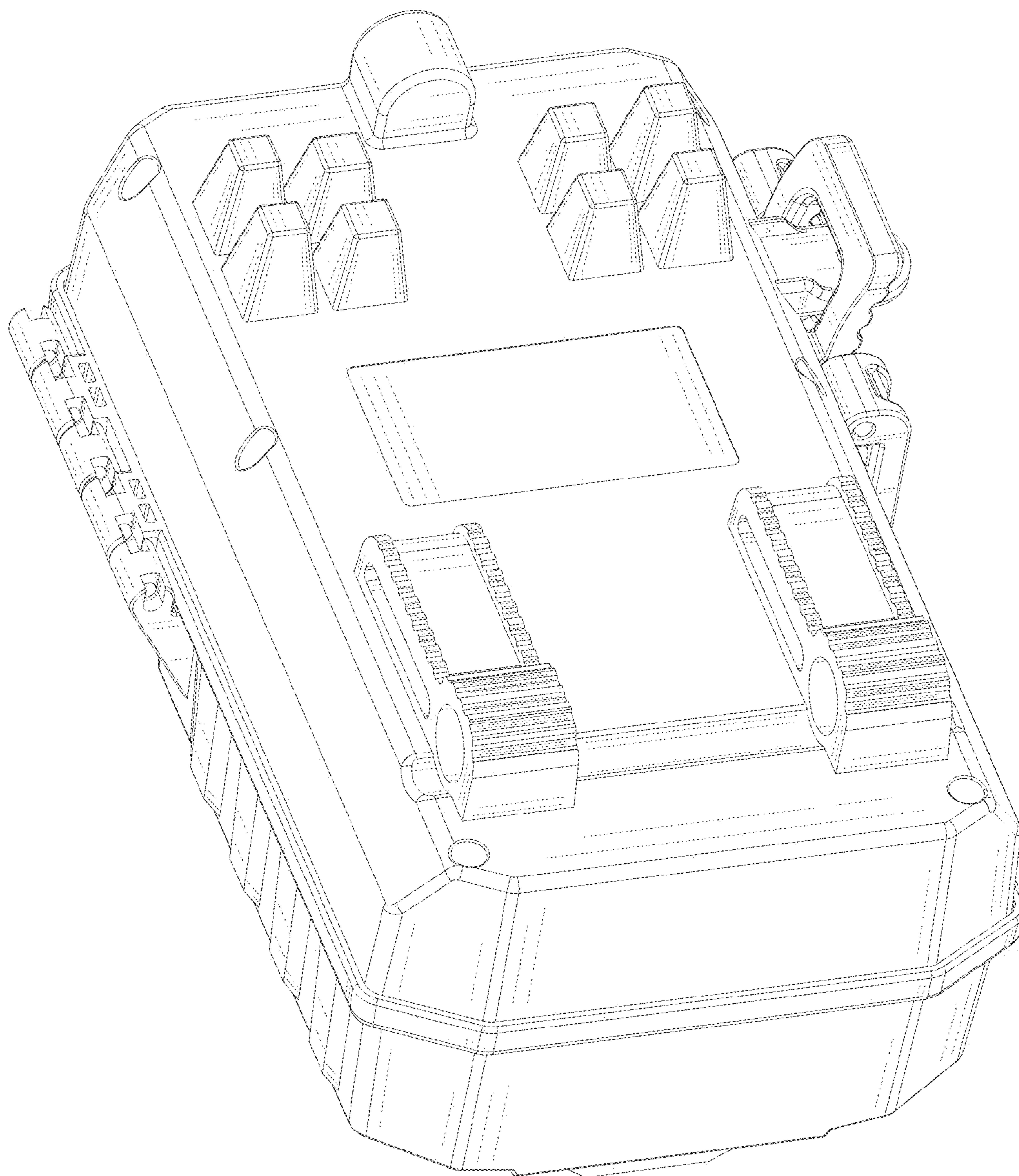


FIG. 2

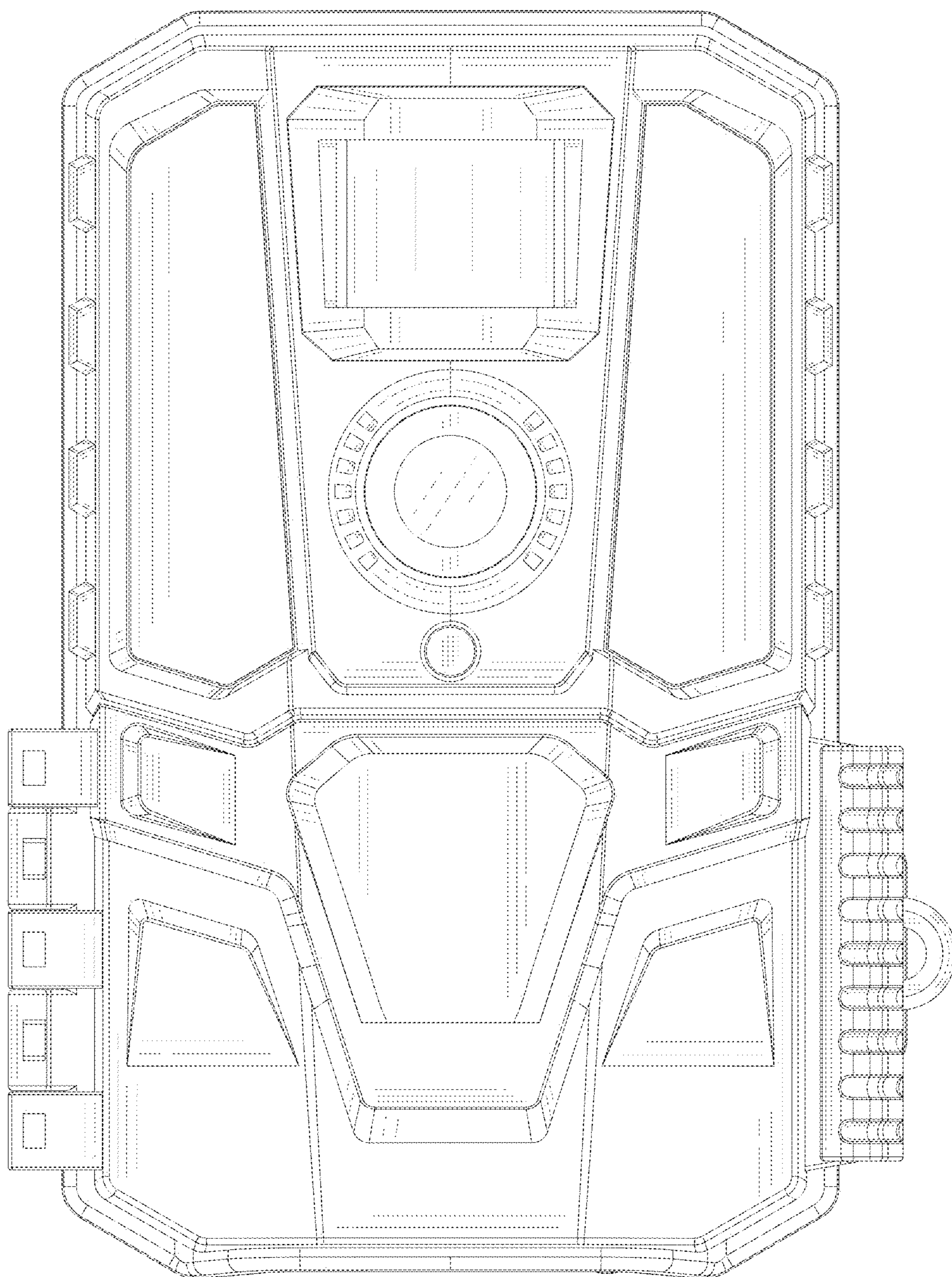


FIG. 3



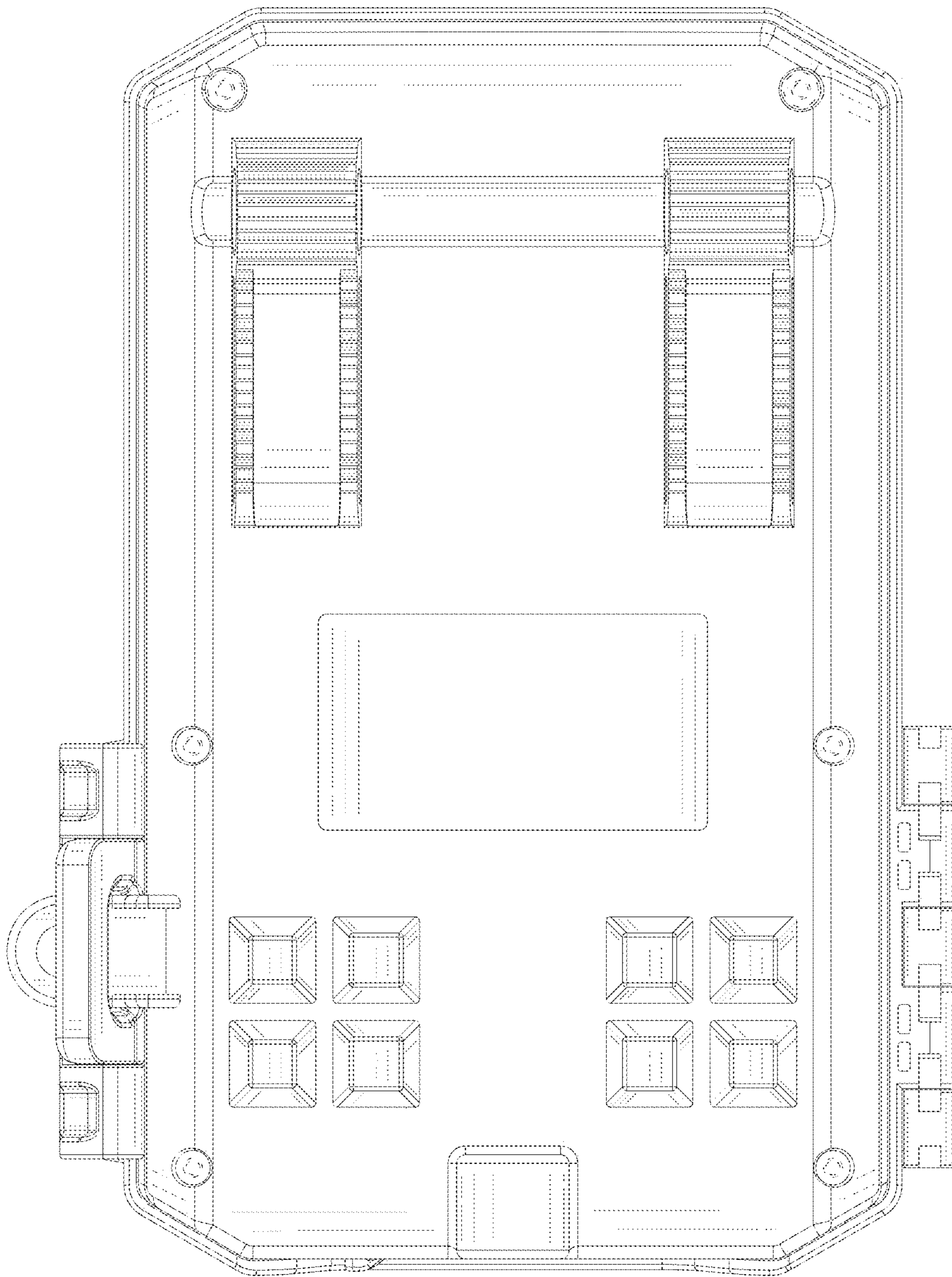


FIG. 4

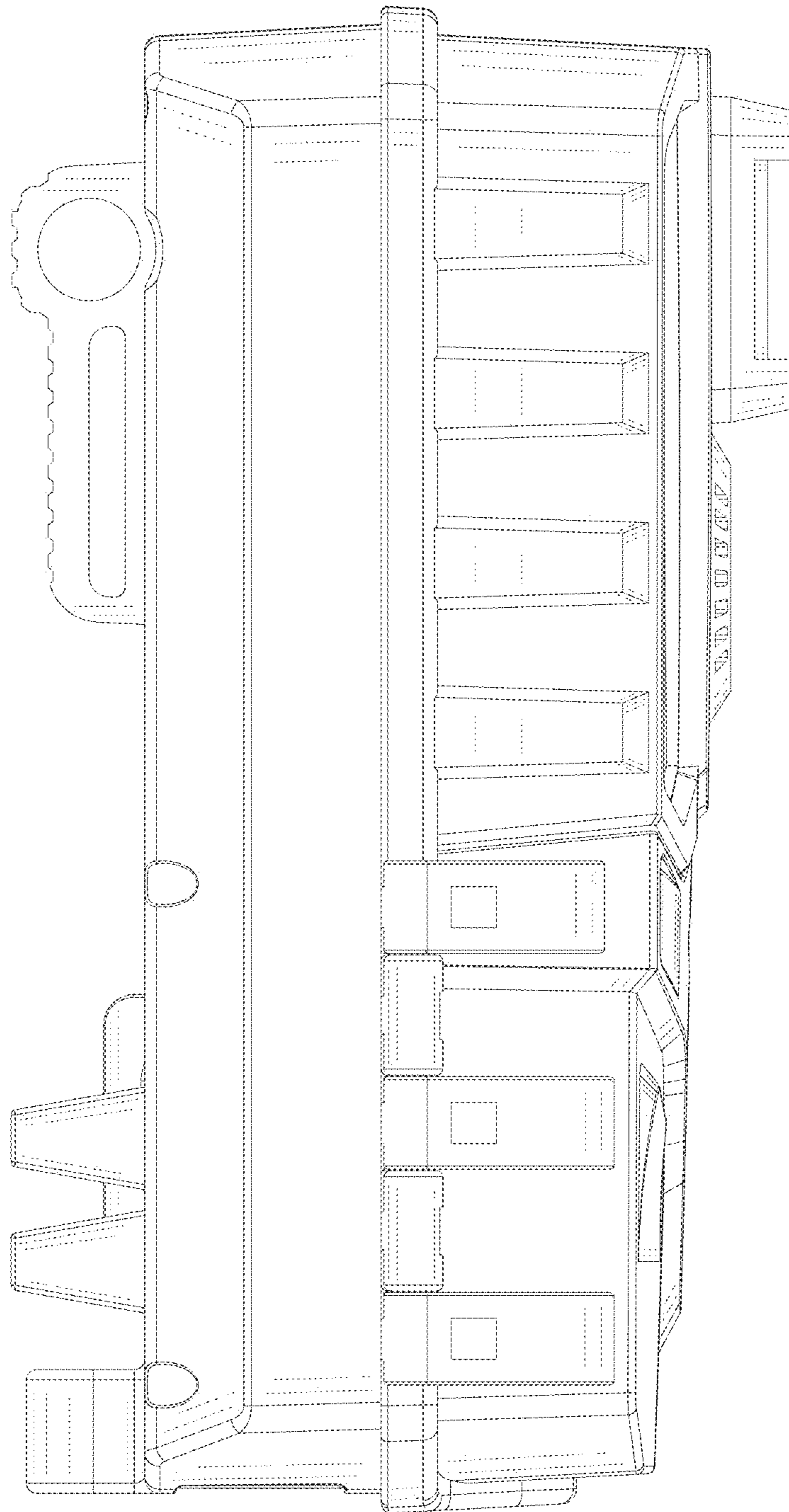


FIG. 5

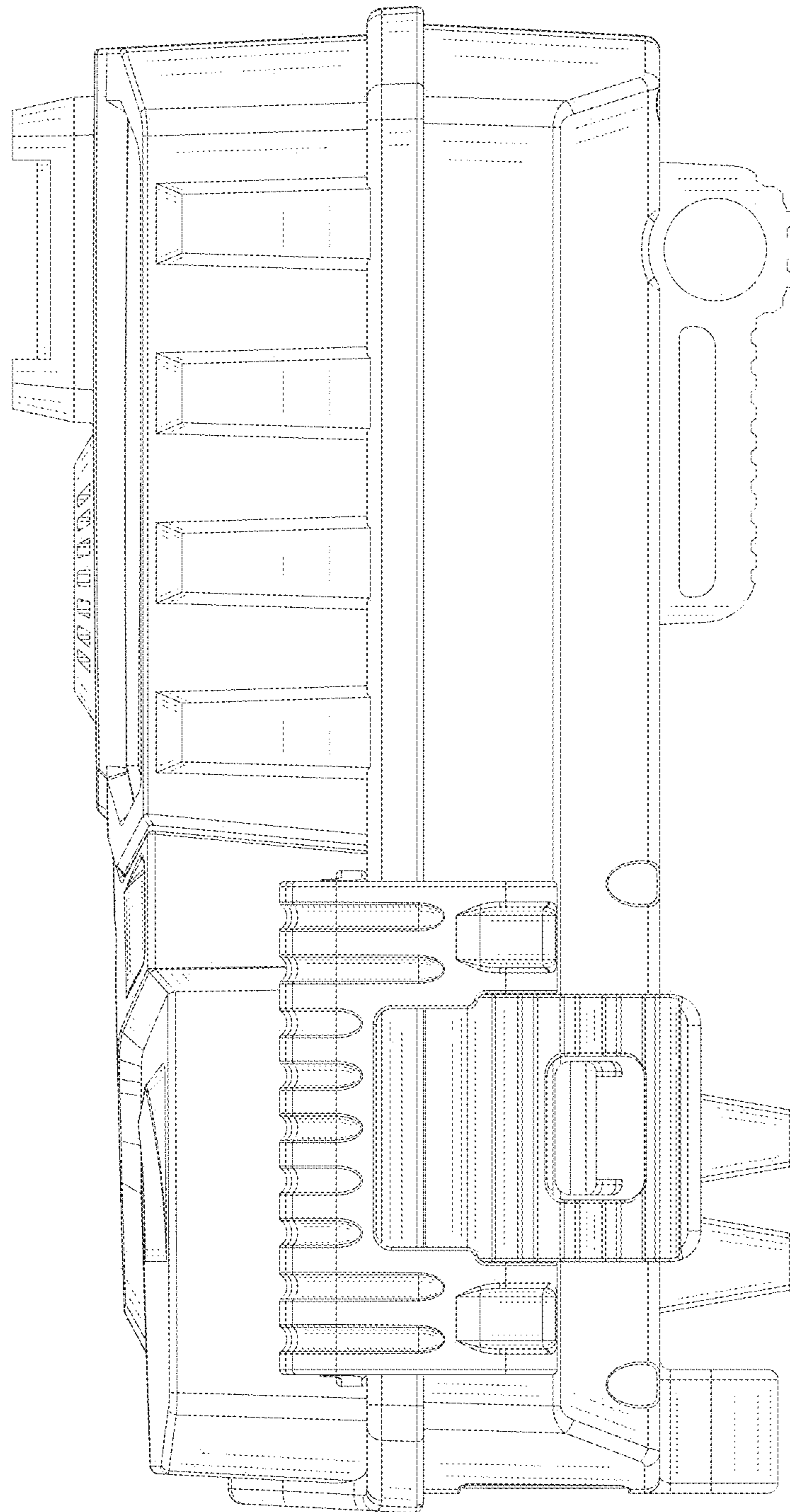


FIG. 6

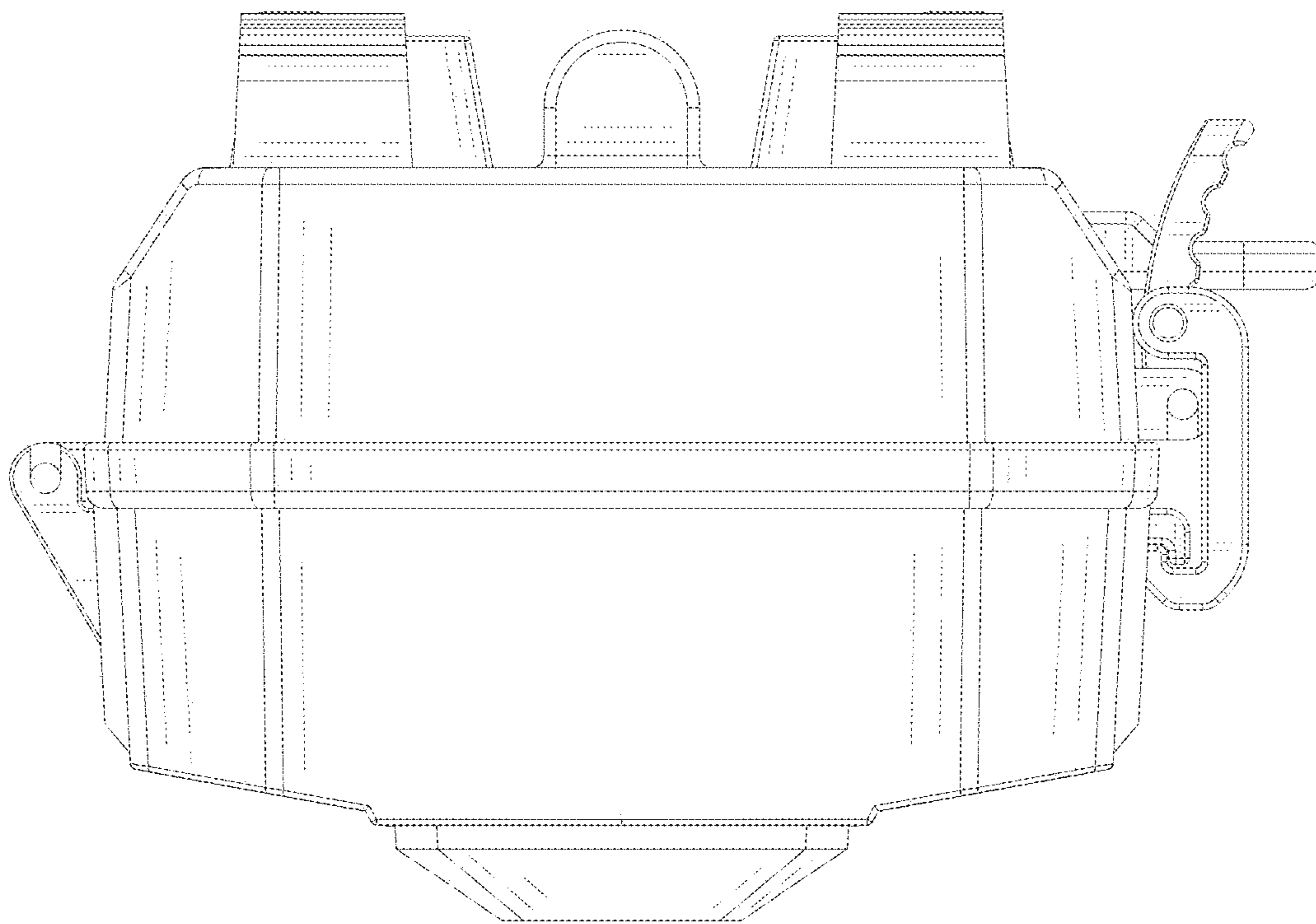


FIG. 7



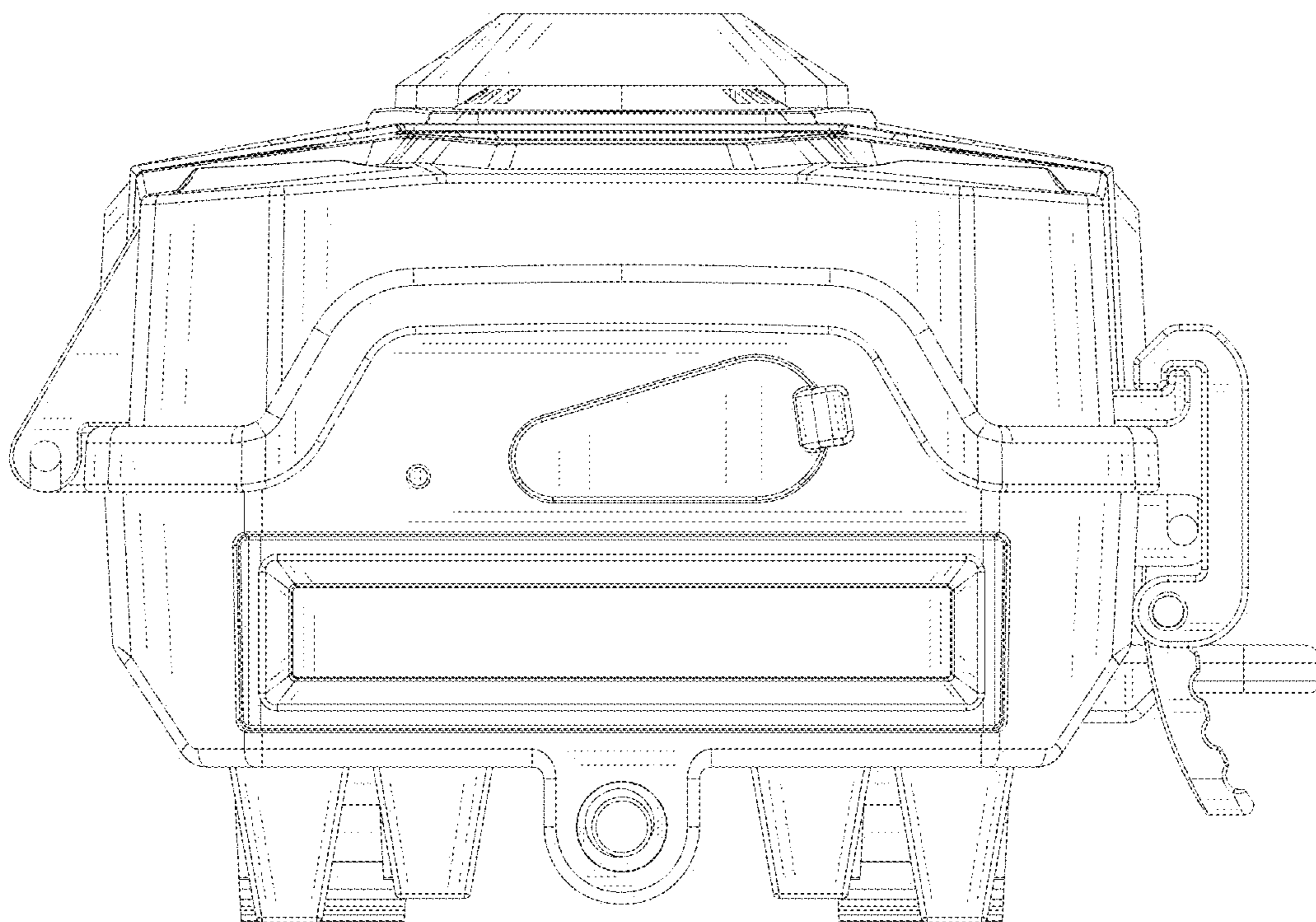


FIG. 8