



US00D945511S

(12) **United States Design Patent** (10) **Patent No.:** **US D945,511 S**  
**Yu** (45) **Date of Patent:** **\*\* Mar. 8, 2022**

(54) **HUNTING CAMERA**

(56) **References Cited**

(71) Applicant: **Shenzhen Longzhiyuan Technology Co., Ltd.**, Shenzhen (CN)

U.S. PATENT DOCUMENTS

(72) Inventor: **Mengchu Yu**, Shenzhen (CN)

D671,584 S *	11/2012	Ohno	.....	D16/202
D838,306 S *	1/2019	Yu	.....	D16/218
D838,763 S *	1/2019	Yu	.....	D16/218
D872,791 S *	1/2020	Chen	.....	D16/203
D874,537 S *	2/2020	Ye	.....	D16/203
D874,546 S *	2/2020	Yu	.....	D16/218
D874,547 S *	2/2020	Yu	.....	D16/218
D880,555 S *	4/2020	Yu	.....	D16/203
D883,359 S *	5/2020	Ren	.....	D16/203
D883,360 S *	5/2020	Ren	.....	D16/203
D918,986 S *	5/2021	Yu	.....	D16/218
D932,535 S *	10/2021	Yu	.....	D16/203

(73) Assignee: **SHENZHEN LONGZHUYUAN TECHNOLOGY CO., LTD.**, Shenzhen (CN)

(\*\*) Term: **15 Years**

\* cited by examiner

(21) Appl. No.: **29/740,968**

*Primary Examiner* — Ramzi Almatrahi

(22) Filed: **Jul. 8, 2020**

(74) *Attorney, Agent, or Firm* — Dragon Sun Law Firm, PC; Jinggao Li, Esq.

(30) **Foreign Application Priority Data**

Apr. 27, 2020 (CN) ..... 202030181719.6

(57) **CLAIM**

(51) **LOC (13) Cl.** ..... **16-01**

The ornamental design for a hunting camera, as shown and described.

(52) **U.S. Cl.**

**DESCRIPTION**

USPC ..... **D16/203**

(58) **Field of Classification Search**

USPC ..... D16/200, 202–206, 218, 219, 242;  
348/143, 148, 151, 155, 164, 373–376;  
396/419, 427, 535, 539–541

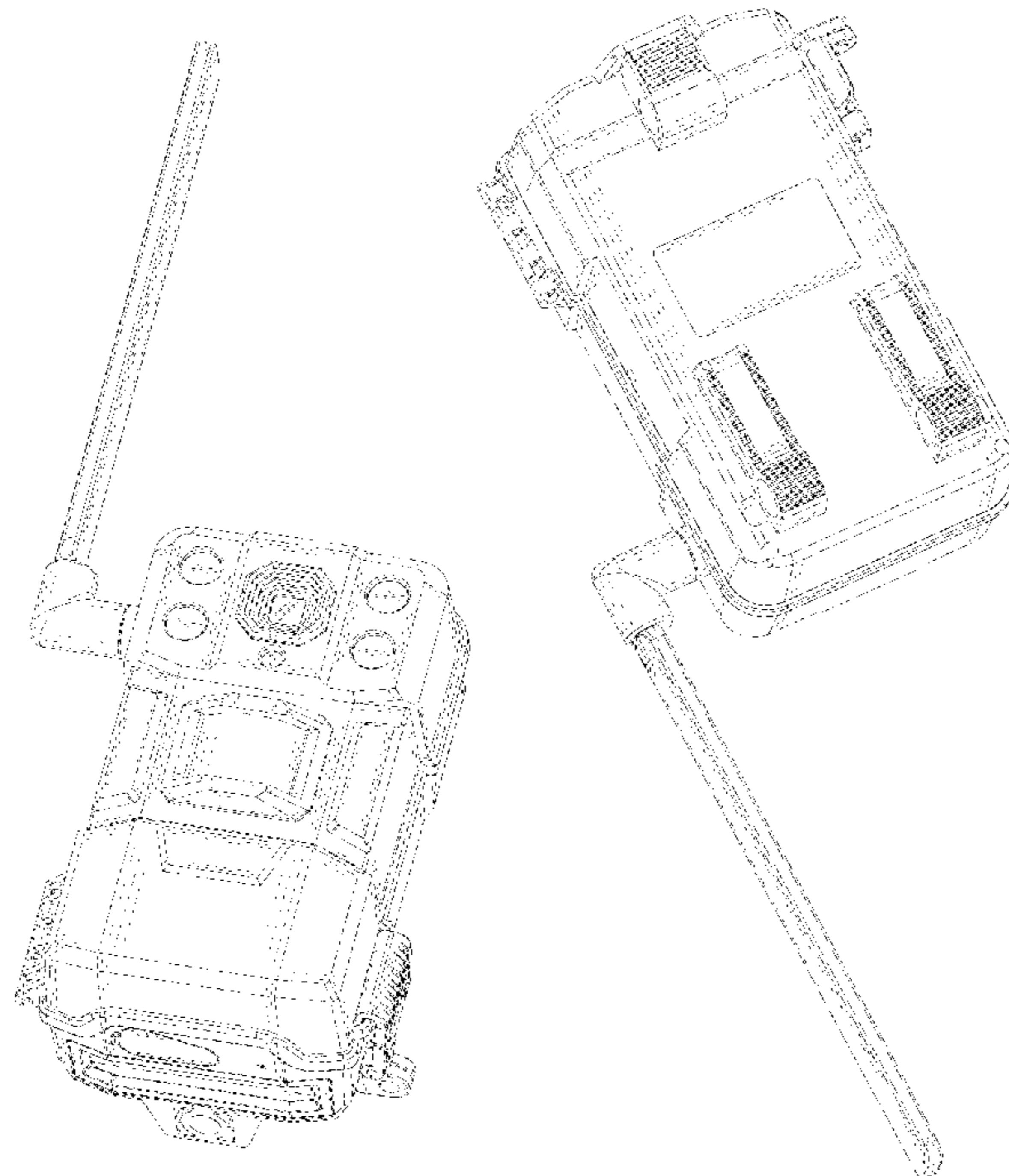
CPC ..... G03B 17/02; G03B 19/04; G03B 17/56;  
G03B 17/04; G03B 15/03; H04N 5/2251;  
H04N 5/2252; H04N 5/2253; H04N

5/2254; H04N 7/181; H04N 7/183; H04N  
7/18; G08B 13/1963; G08B 13/19619;  
G08B 13/19632; G08B 13/19602; G08B  
13/19634; F16M 11/04; F16M 13/00

See application file for complete search history.

The broken lines in the drawings illustrate portions of the hunting camera and form no part of the claimed design.

**1 Claim, 8 Drawing Sheets**



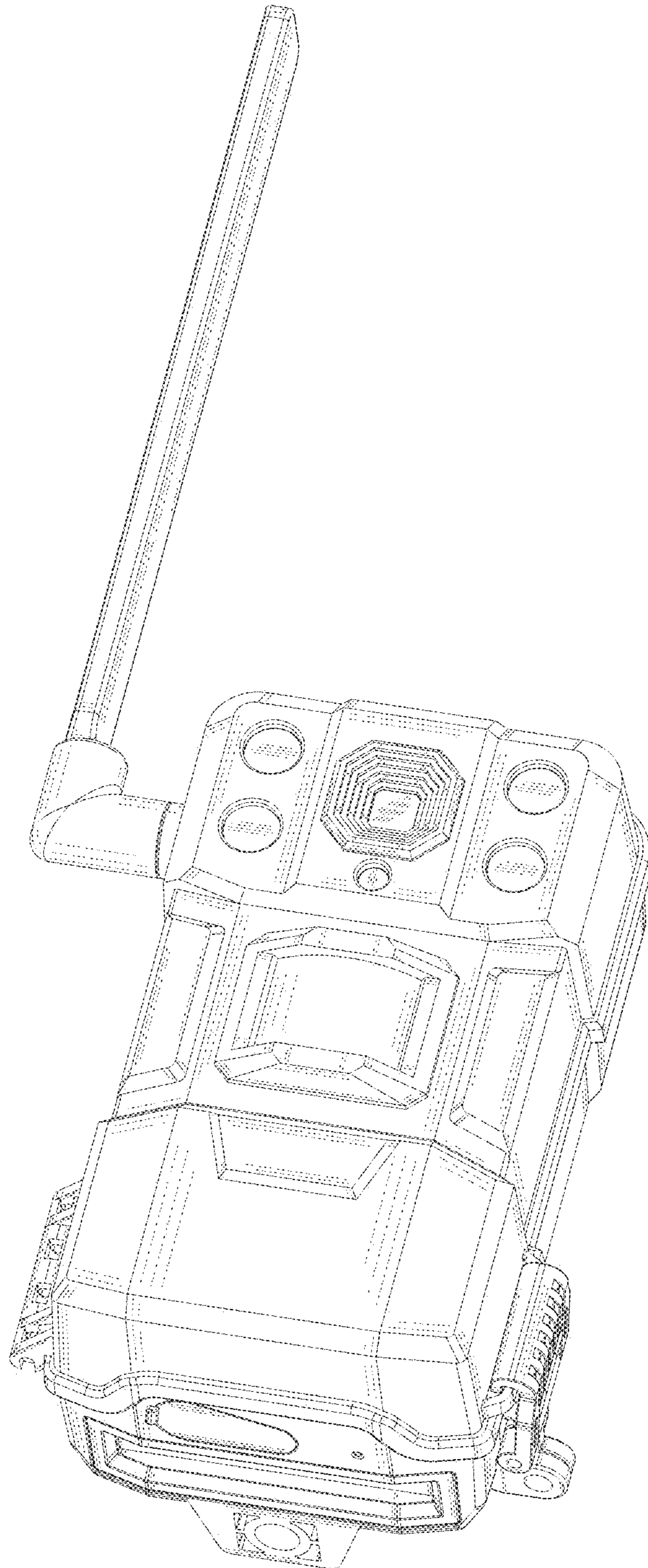


FIG. 1

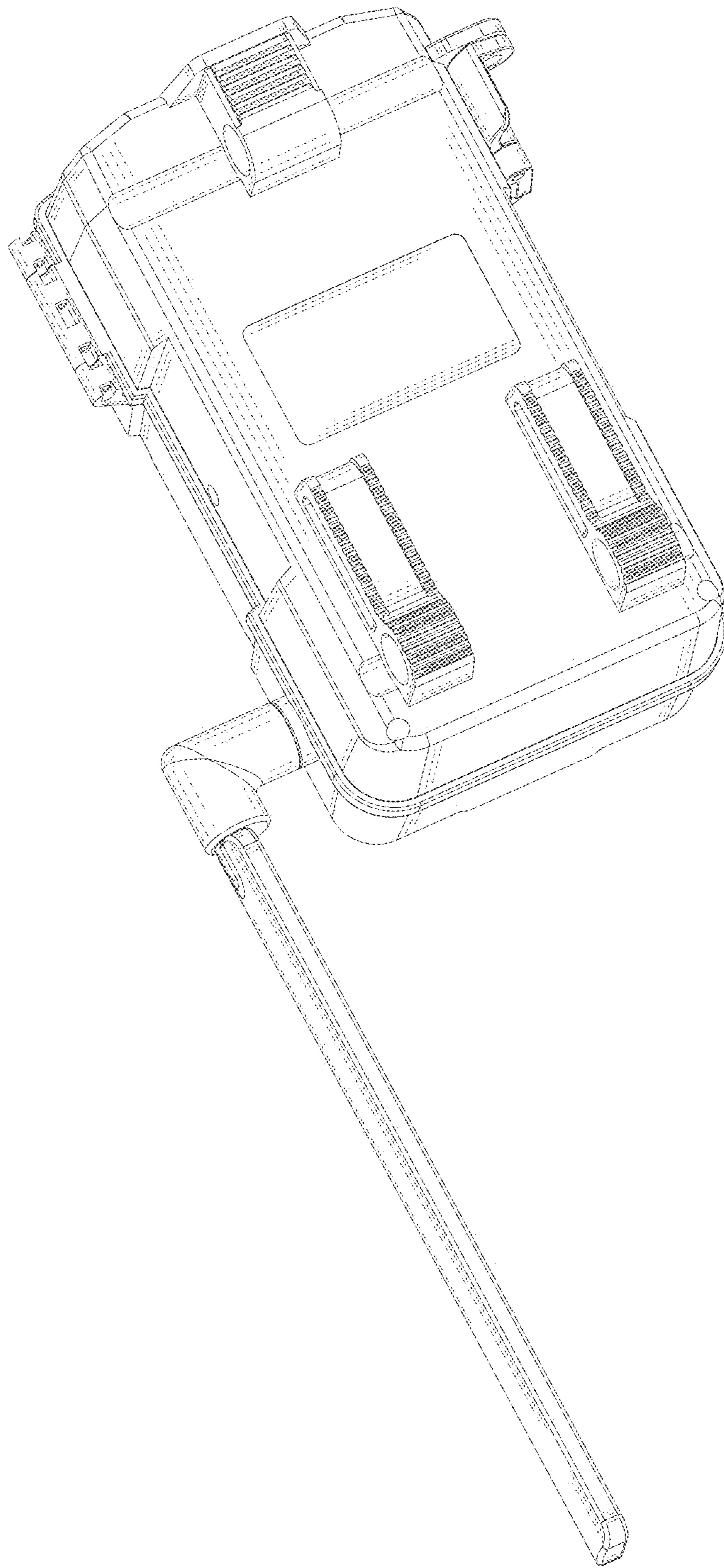


FIG. 2



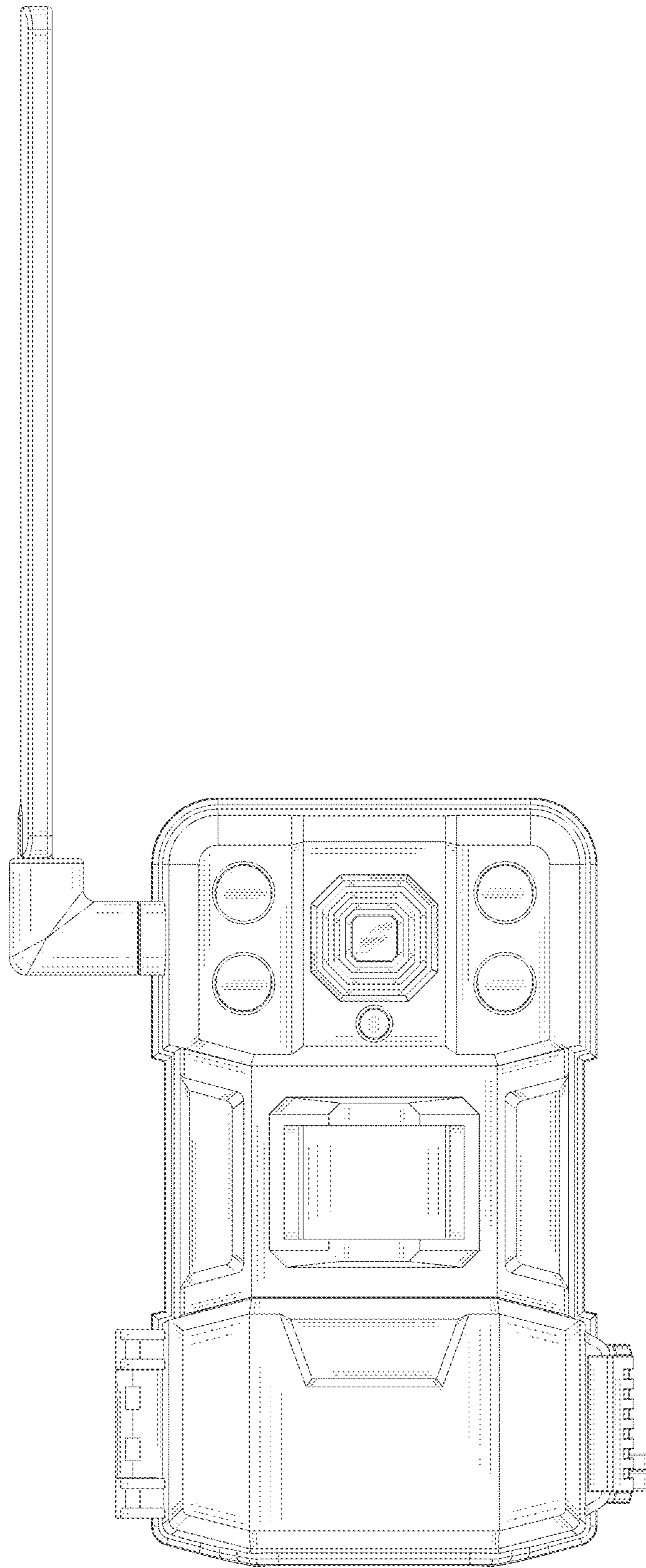


FIG. 3

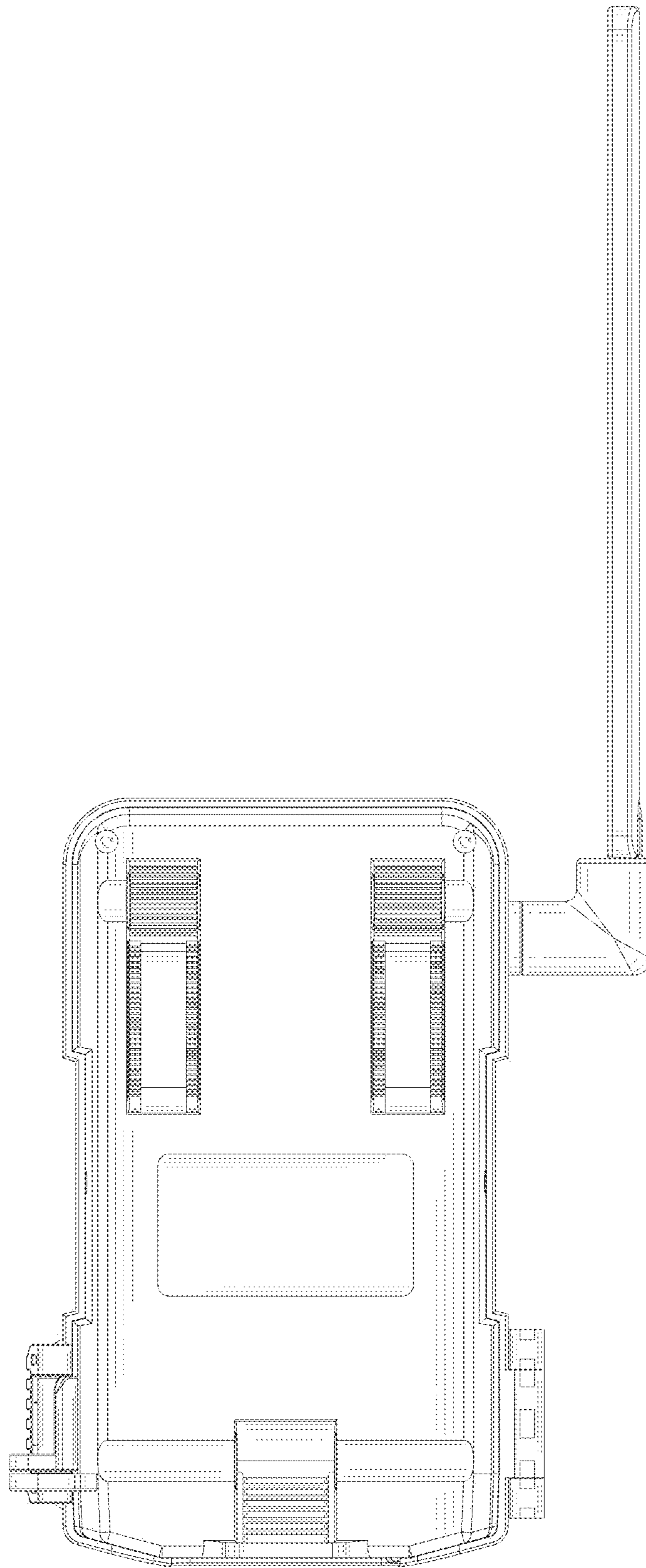


FIG. 4

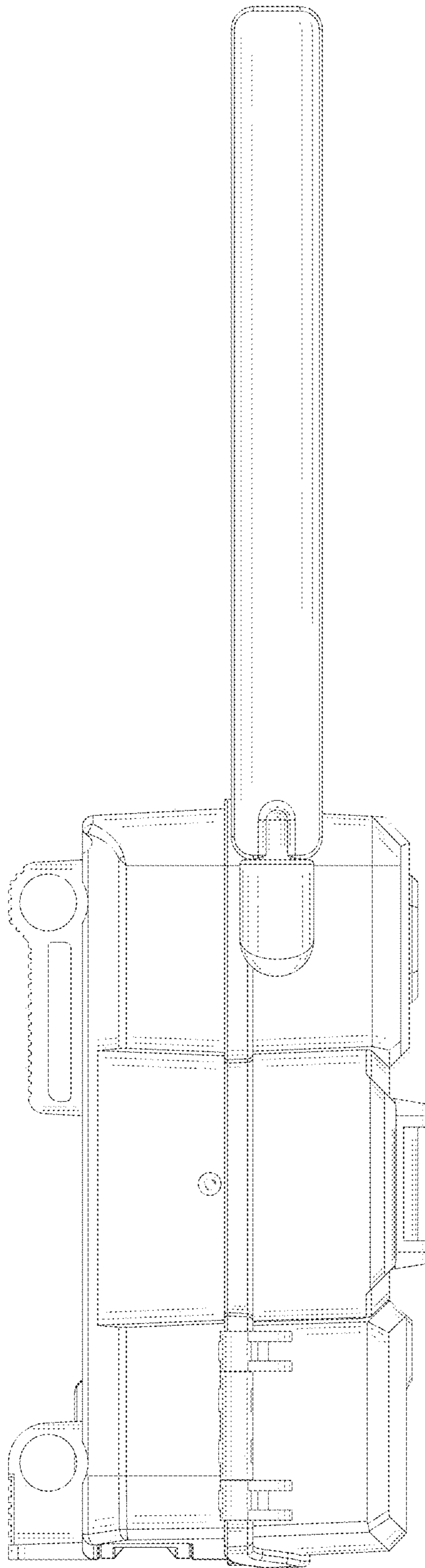


FIG. 5

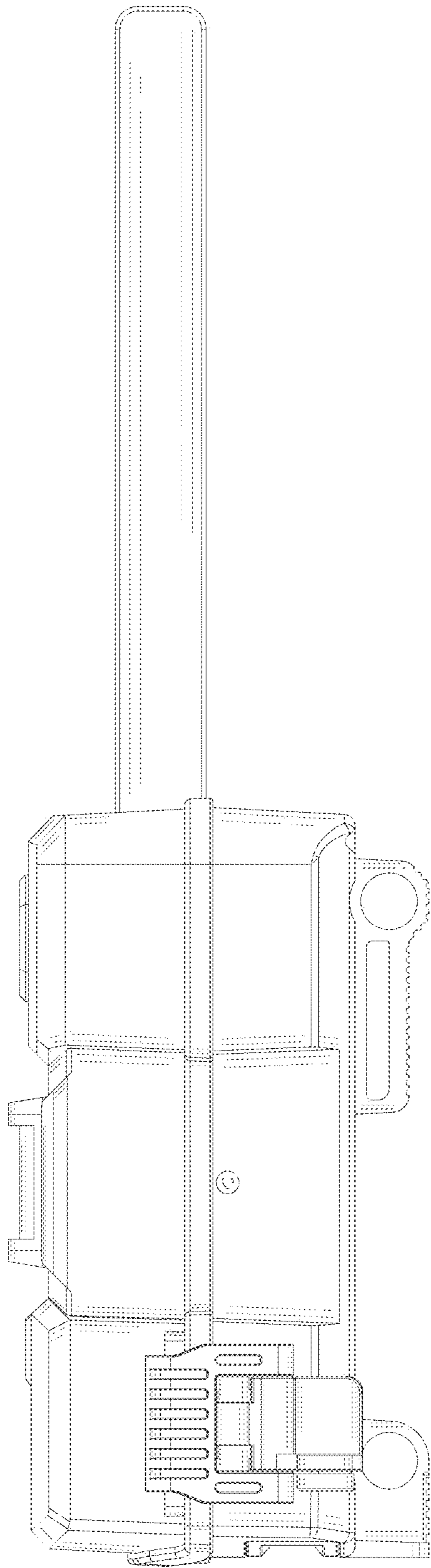


FIG. 6

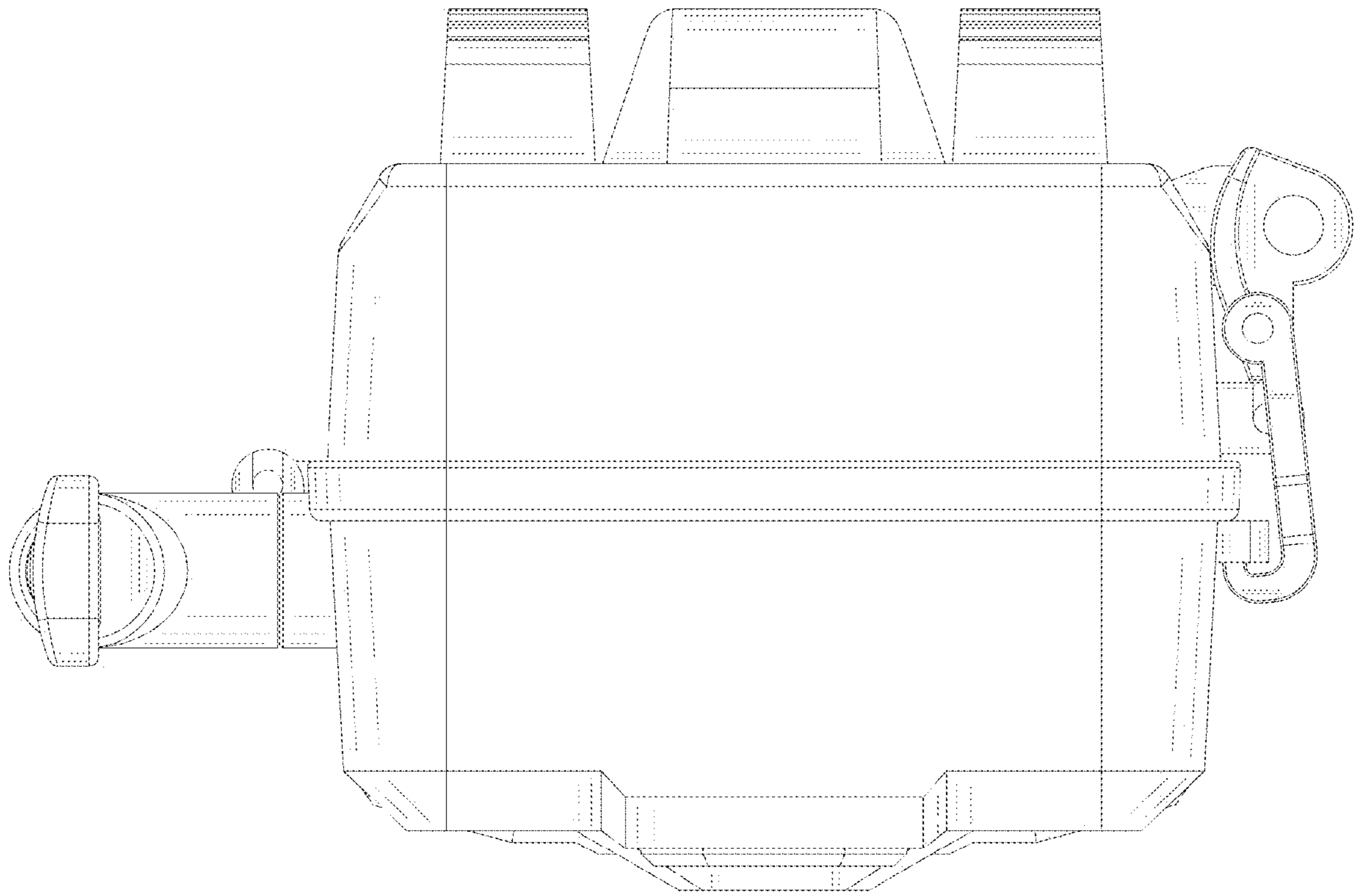


FIG. 7



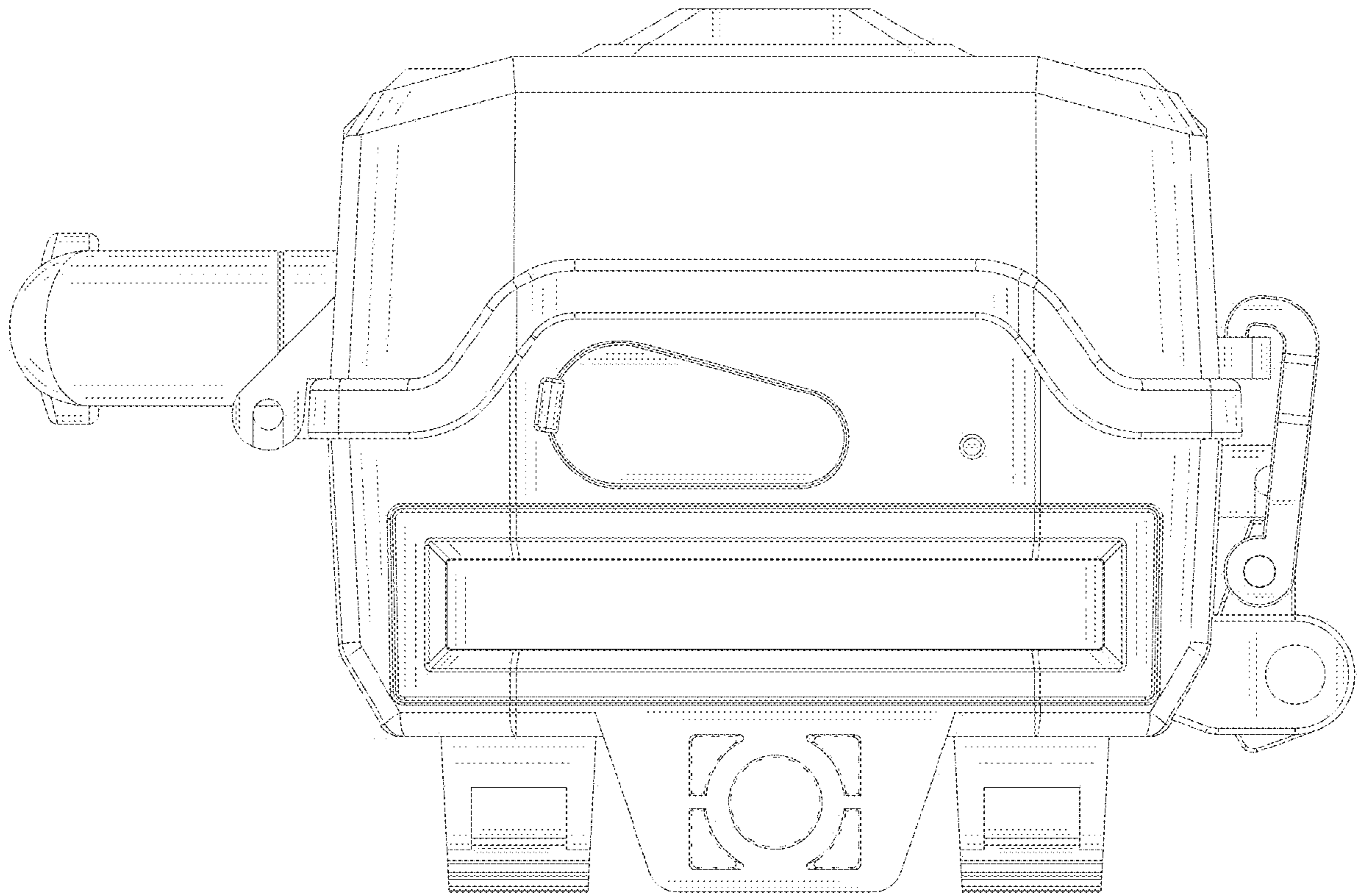


FIG. 8