



US00D945510S

(12) **United States Design Patent**  
**Lin**

(10) **Patent No.:** **US D945,510 S**  
(45) **Date of Patent:** **\*\* Mar. 8, 2022**

(54) **SCREEN MAGNIFIER**

(71) Applicant: **Xiaowei Lin**, Ruian (CN)

(72) Inventor: **Xiaowei Lin**, Ruian (CN)

(\*\*) Term: **15 Years**

(21) Appl. No.: **29/814,020**

(22) Filed: **Nov. 2, 2021**

(51) **LOC (13) Cl.** ..... **16-06**

(52) **U.S. Cl.**  
USPC ..... **D16/135**

(58) **Field of Classification Search**  
USPC ..... D16/130, 134, 135, 136; D14/314, 315,  
D14/322, 334, 335, 336

CPC ..... G01B 3/04  
See application file for complete search history.

(56) **References Cited**

**U.S. PATENT DOCUMENTS**

D219,065 S *	10/1970	Zelnick .....	D10/62
D222,386 S *	10/1971	Kirschner .....	D10/67
D334,207 S *	3/1993	Iaquinto .....	D16/135
D555,163 S *	11/2007	Beilstein .....	D14/447
D614,220 S *	4/2010	Goldenberg .....	D16/200
D631,903 S *	2/2011	Sugiyama .....	D16/225
D633,541 S *	3/2011	Khubani .....	D16/135
D637,218 S *	5/2011	Shih .....	D16/130
D658,697 S *	5/2012	Jim .....	D16/135
D664,584 S *	7/2012	Turpault .....	D16/225
D756,442 S *	5/2016	Bourque .....	D16/225
D848,516 S *	5/2019	Park .....	D16/225
D884,045 S	5/2020	Lin	
D894,989 S *	9/2020	Hong .....	D16/135
D910,103 S *	2/2021	Park .....	D16/135
D912,036 S *	3/2021	Zhang .....	D14/253

D918,190 S *	5/2021	Hong .....	D14/253
2006/0203093 A1 *	9/2006	Trulaske .....	H04N 1/19594 348/156
2010/0026855 A1 *	2/2010	Conard .....	H04N 5/2256 348/240.99

**FOREIGN PATENT DOCUMENTS**

CN 214201889 U \* 9/2021

\* cited by examiner

*Primary Examiner* — Holly E Thurman

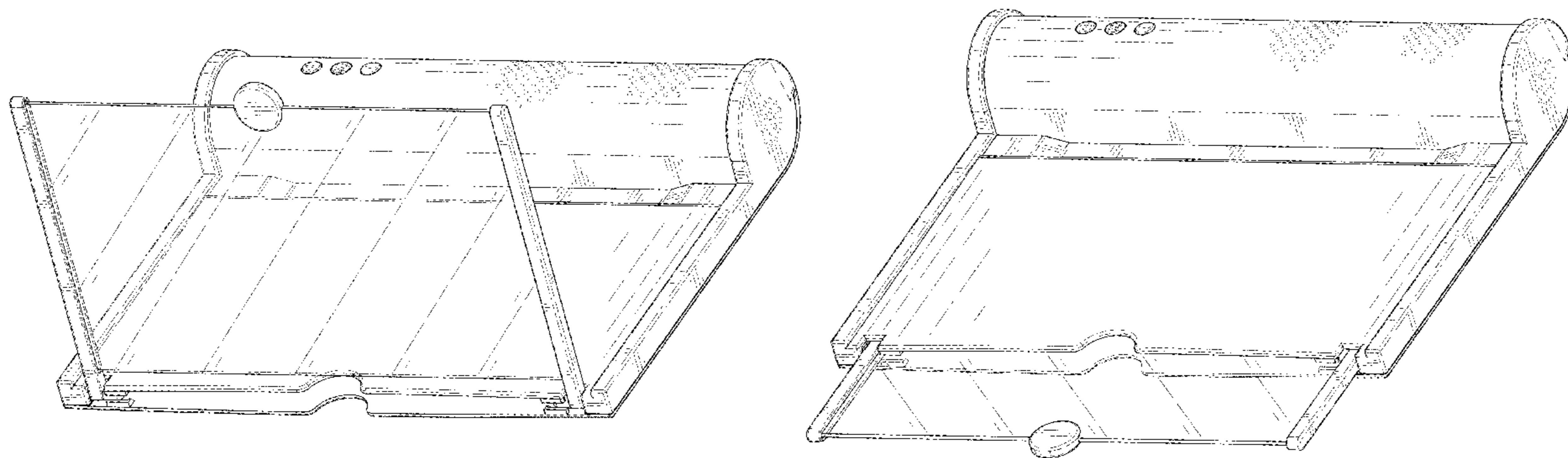
(57) **CLAIM**

The ornamental design for a screen magnifier, as shown and described.

**DESCRIPTION**

FIG. 1 is a perspective view of a screen magnifier showing my new design;  
 FIG. 2 is another perspective view thereof;  
 FIG. 3 is a front elevational view thereof;  
 FIG. 4 is a rear elevational view thereof;  
 FIG. 5 is a left side elevational view thereof;  
 FIG. 6 is a right side elevational view thereof;  
 FIG. 7 is a top plan view thereof;  
 FIG. 8 is a bottom plan view thereof;  
 FIG. 9 is a perspective view of the screen magnifier where the screen magnifier is in a first configuration of use; and,  
 FIG. 10 is a perspective view of the screen magnifier where the screen magnifier is in a second configuration of use.  
 The broken lines in the drawings depict portions of the screen magnifier that form no part of the claimed design.

**1 Claim, 10 Drawing Sheets**



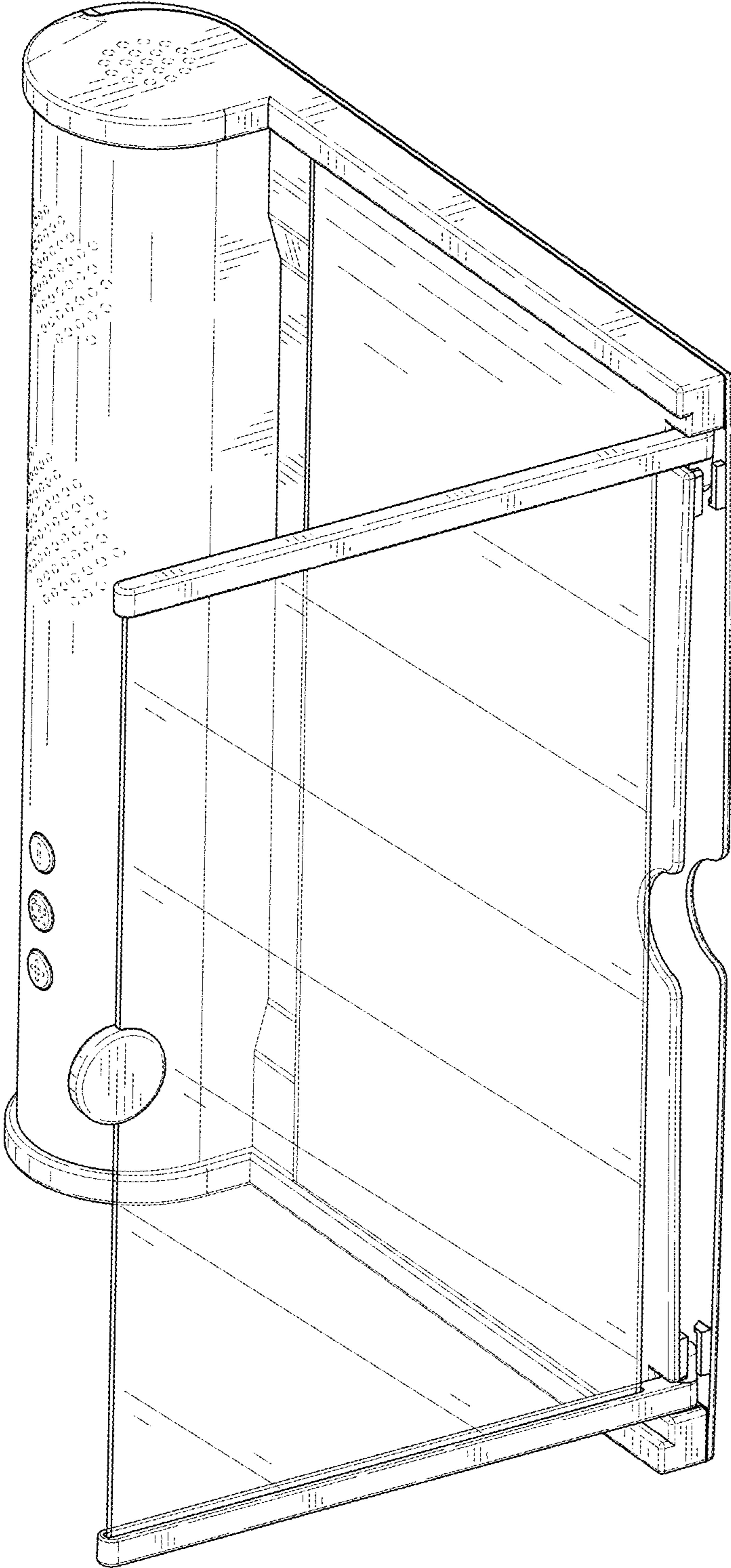


FIG. 1

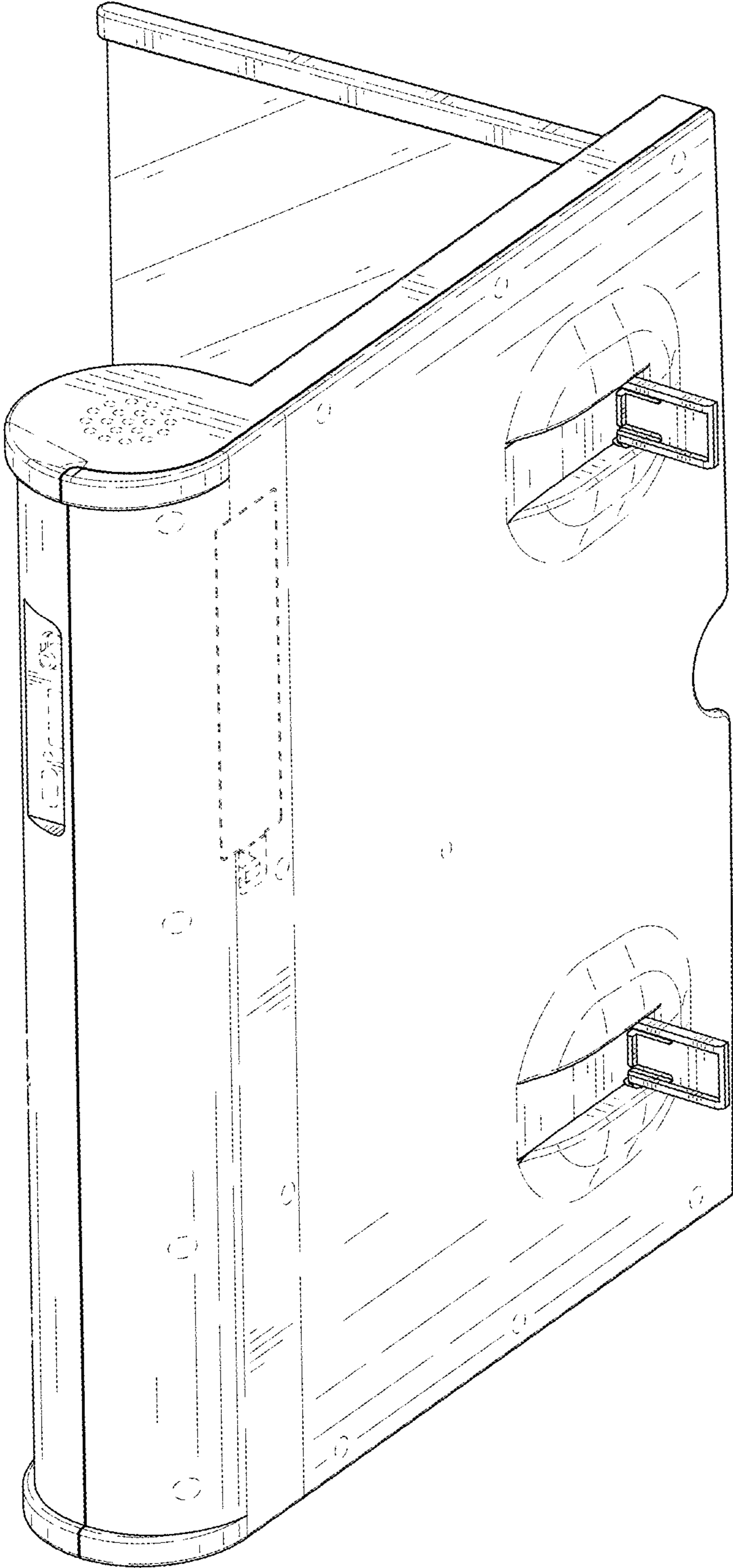


FIG. 2

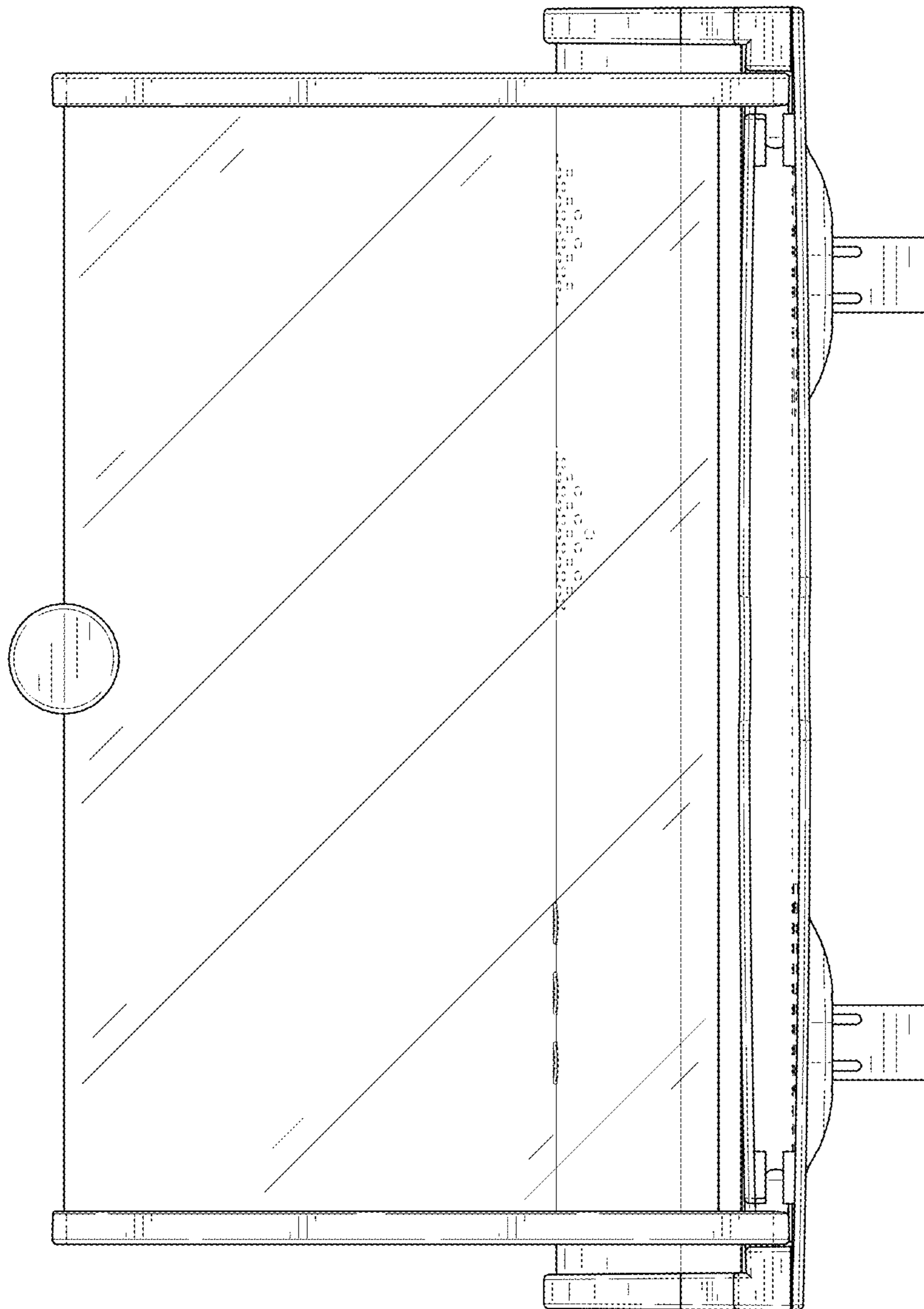


FIG. 3



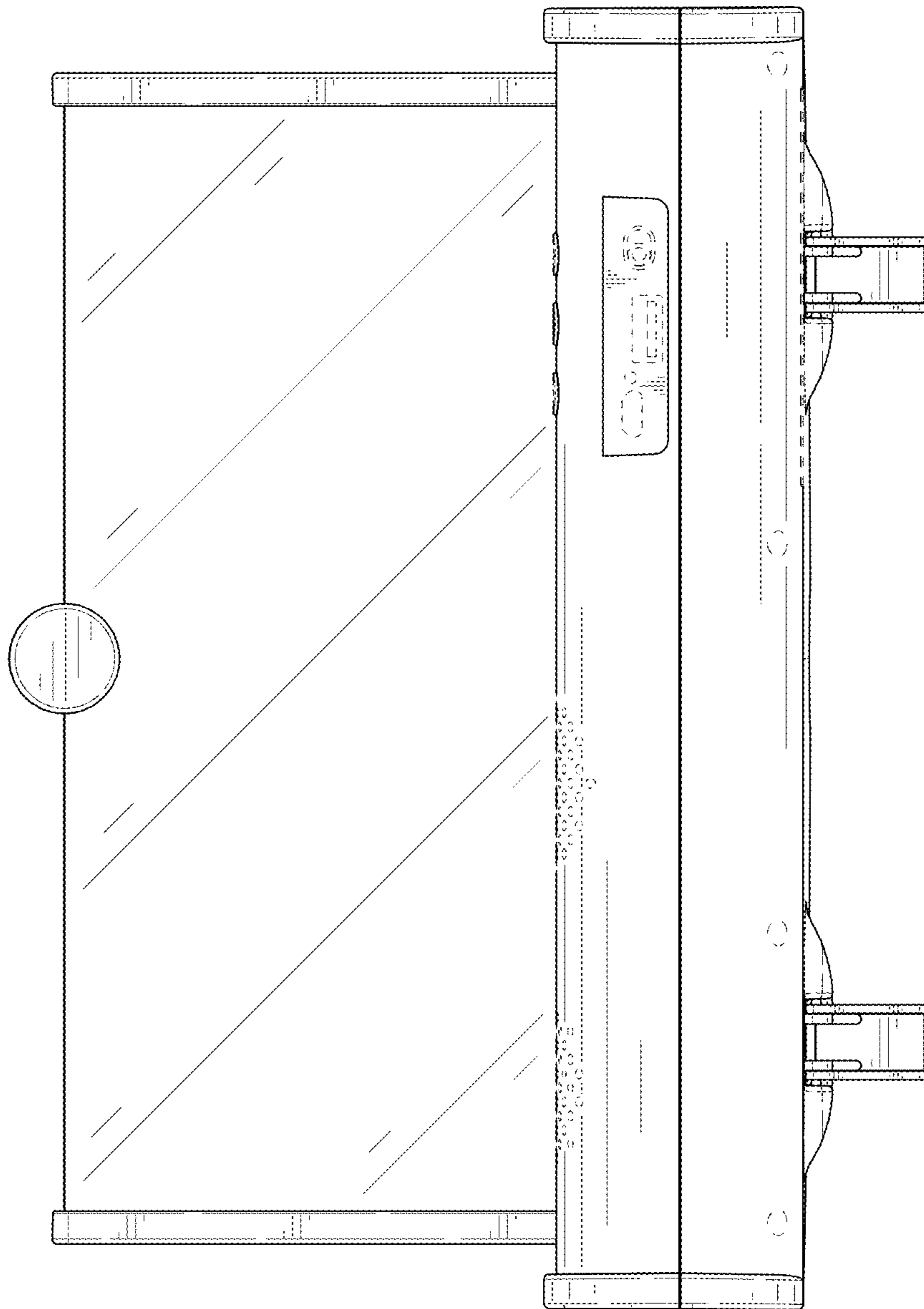


FIG. 4

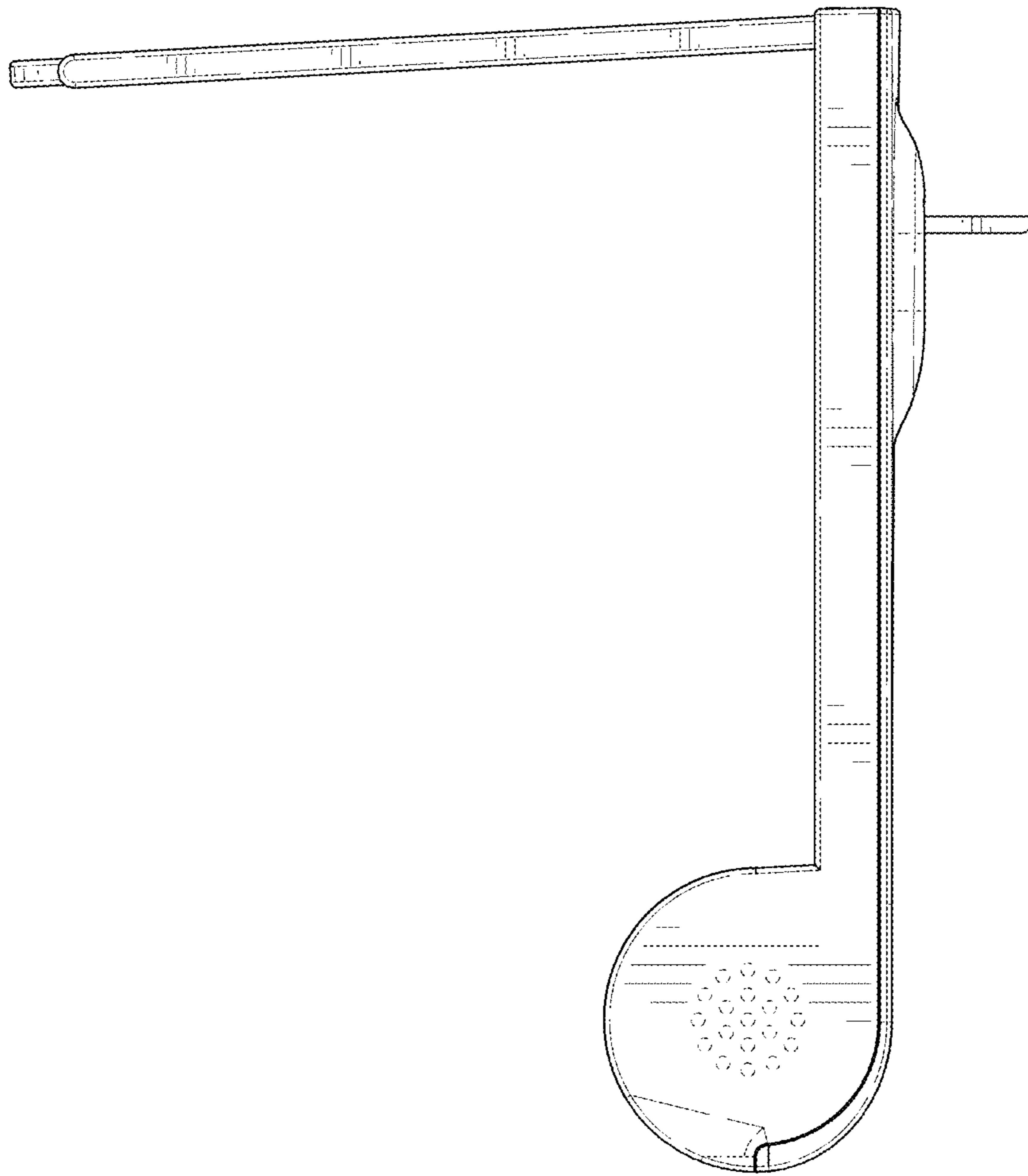


FIG. 5

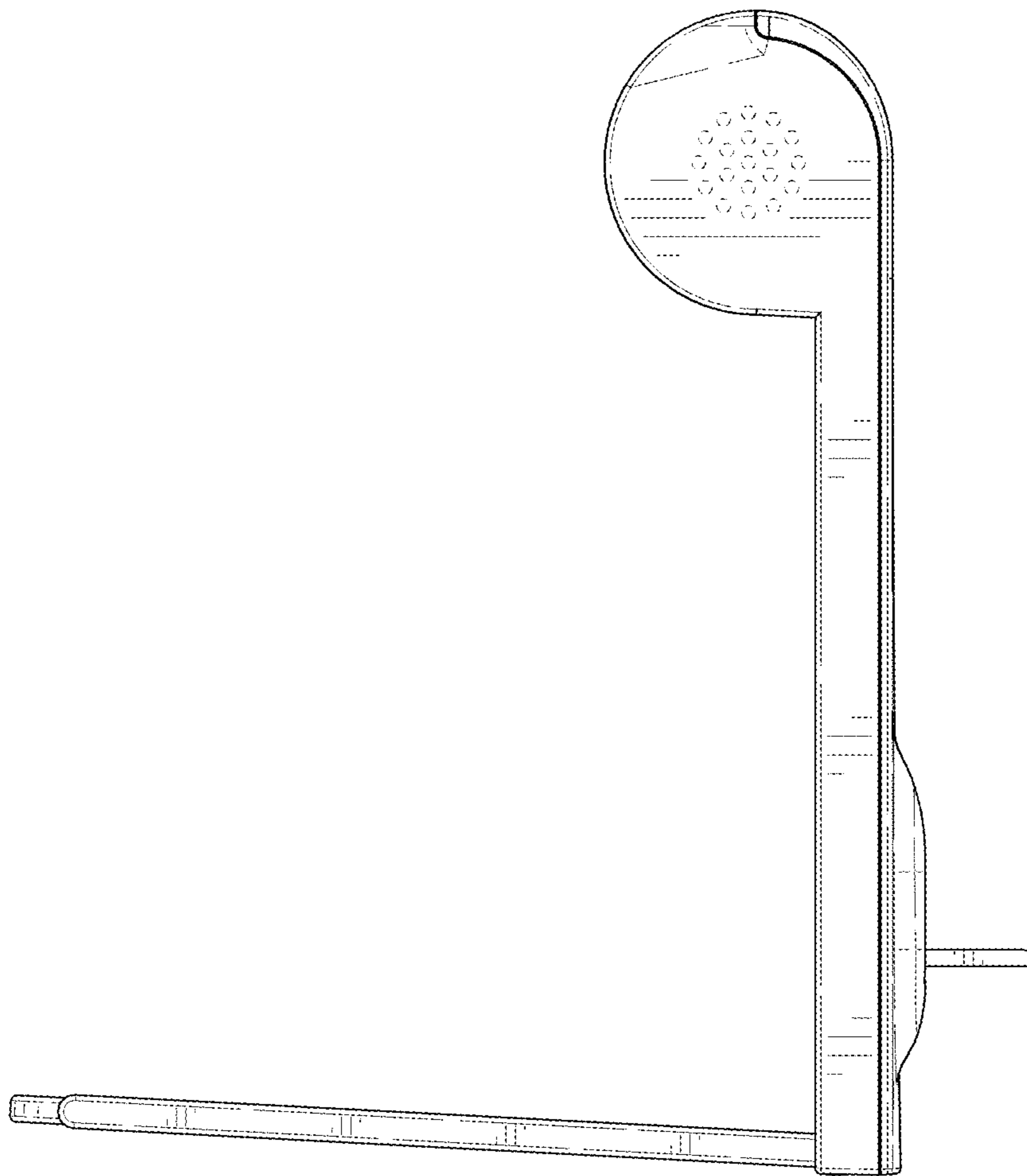


FIG. 6

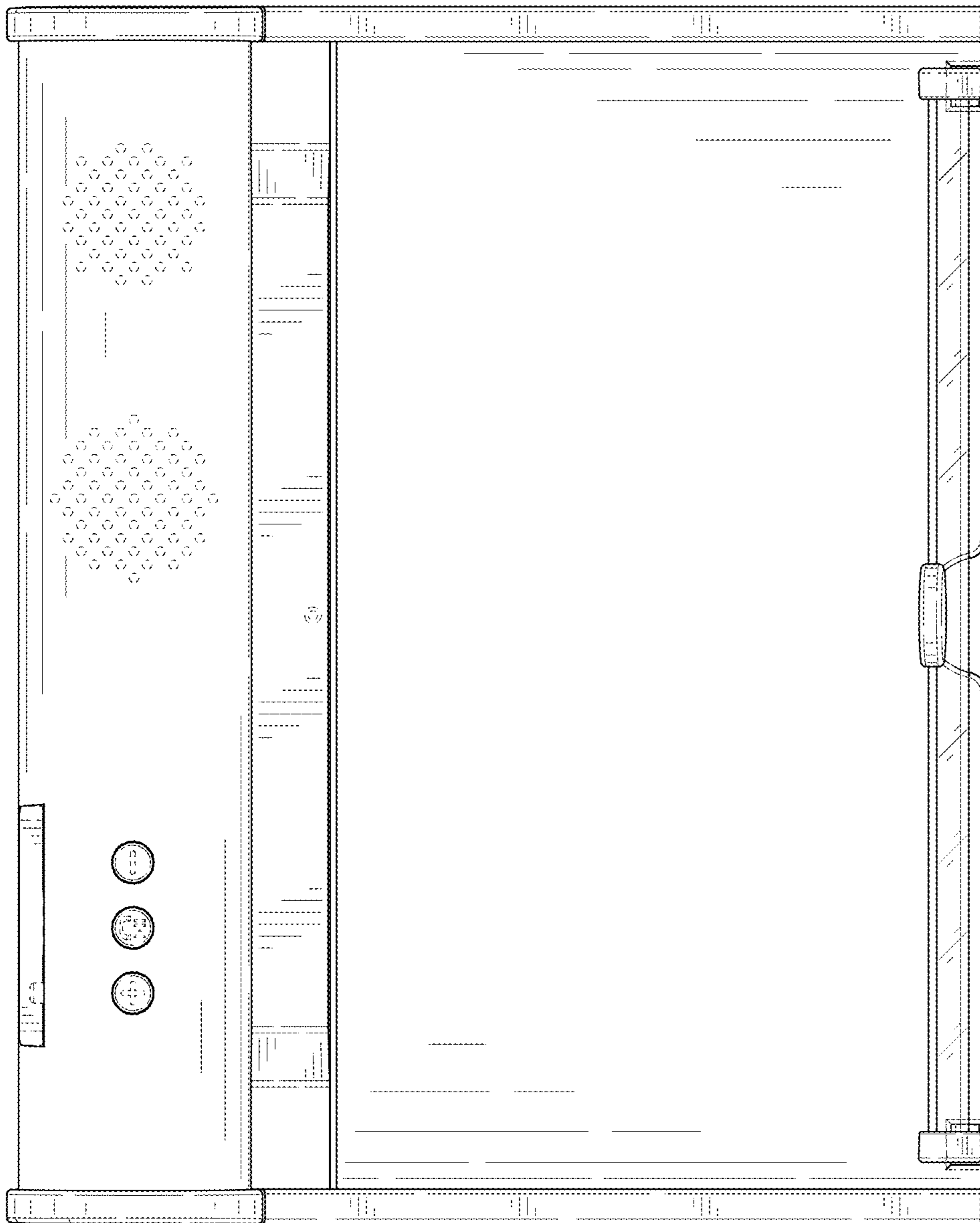


FIG. 7



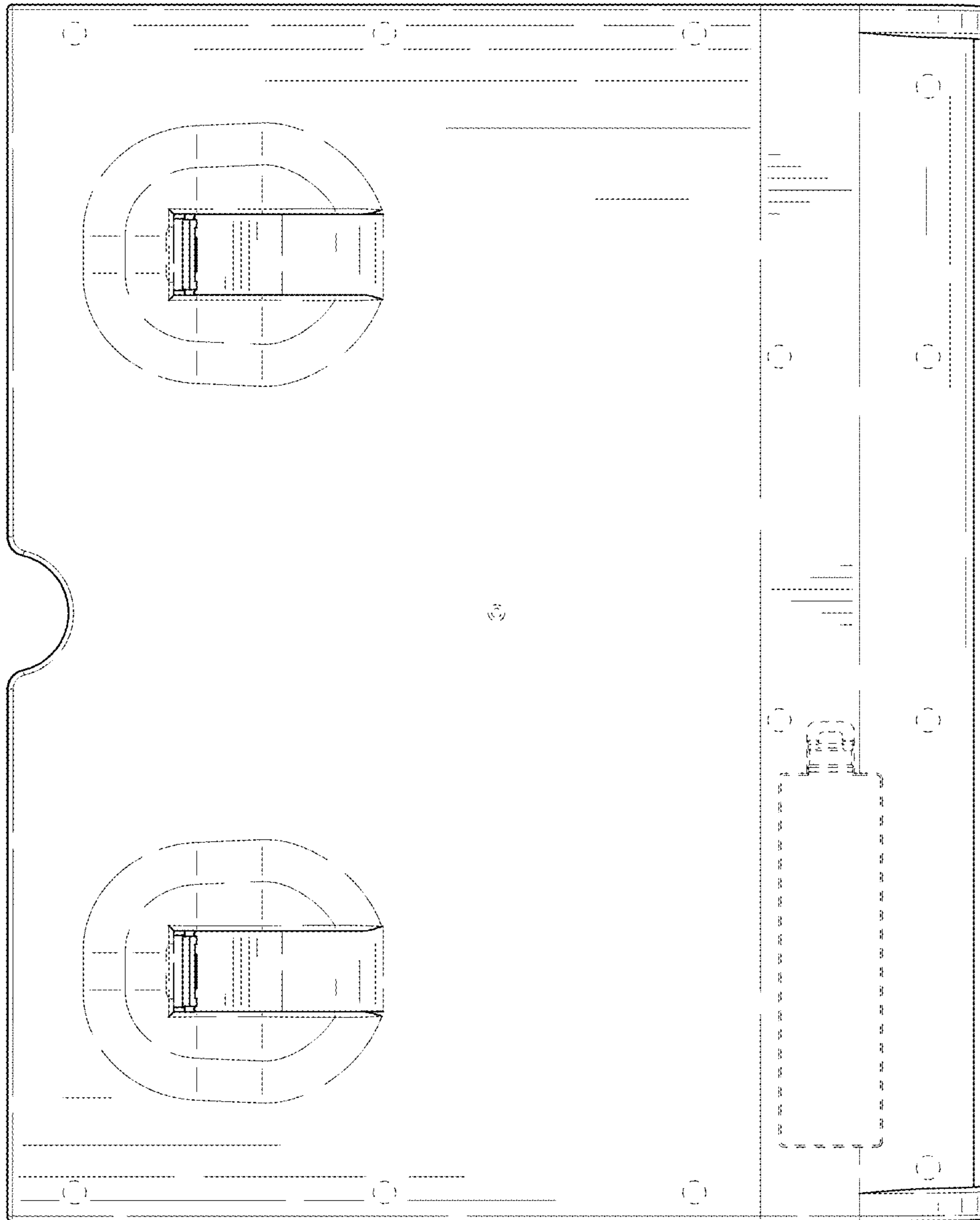


FIG. 8

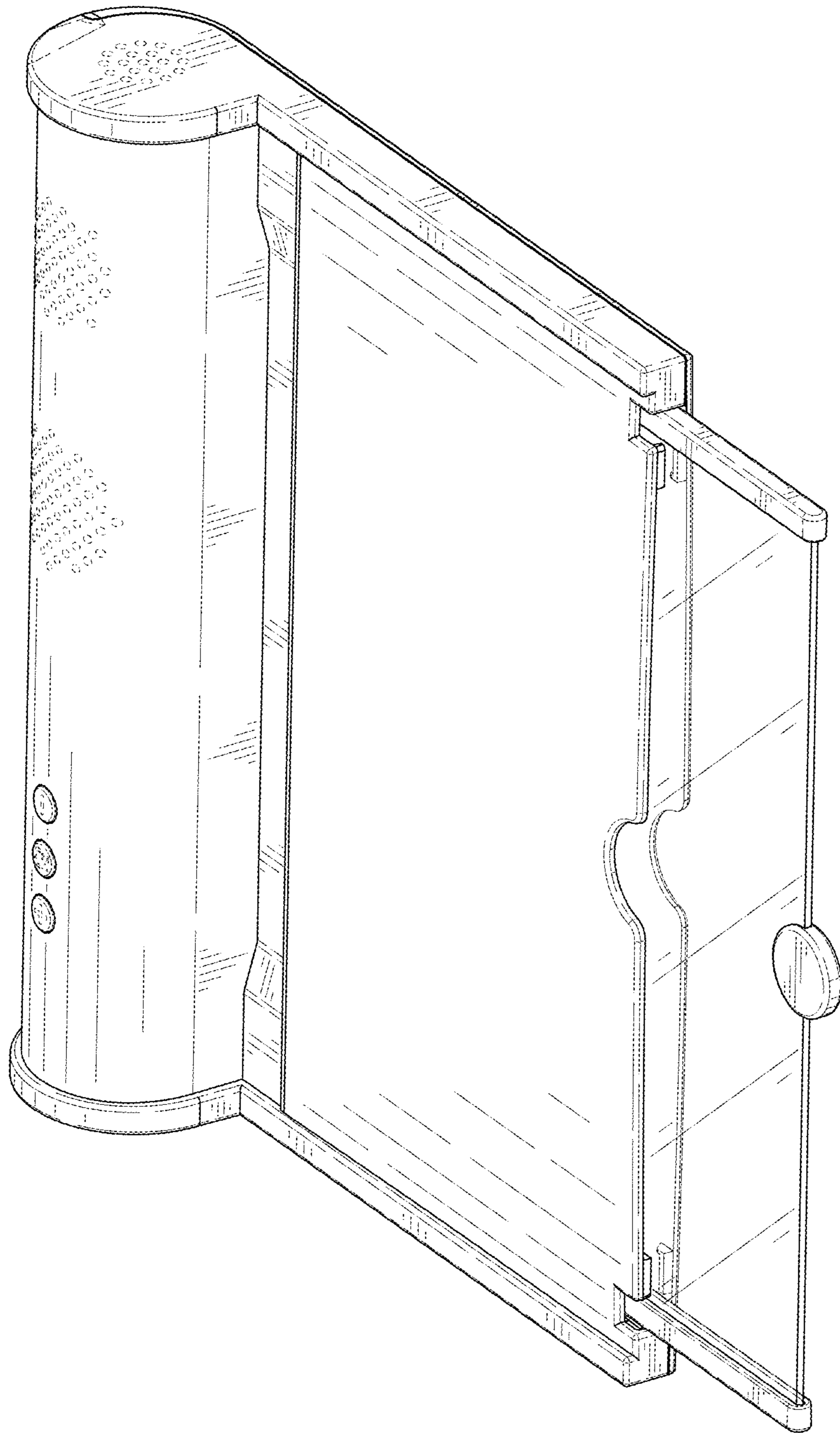


FIG. 9

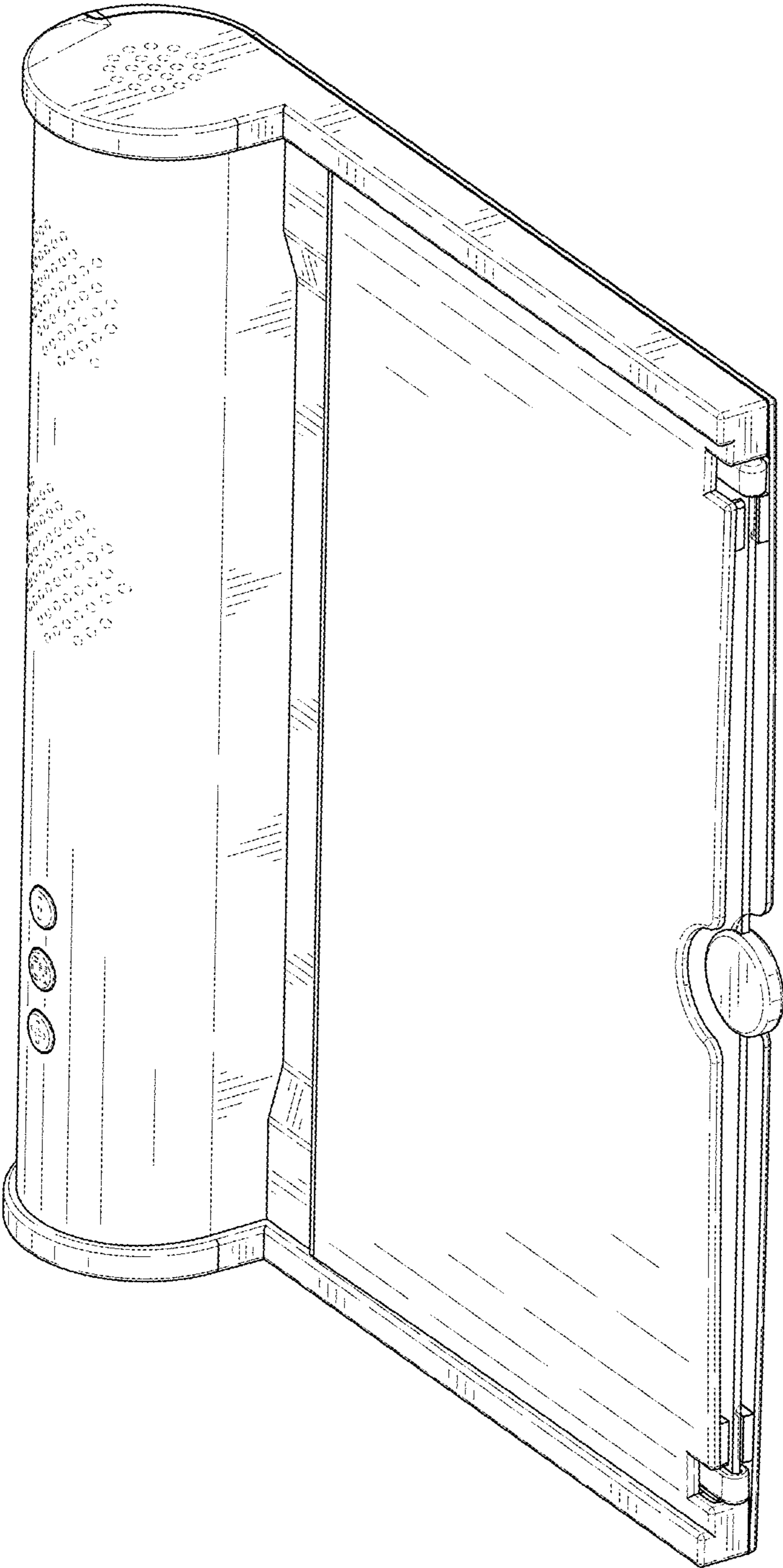


FIG. 10