



US00D945509S

(12) **United States Design Patent**
Ueno et al.

(10) **Patent No.:** **US D945,509 S**
(45) **Date of Patent:** **** Mar. 8, 2022**

(54) **BINOCULARS**

D684,202 S * 6/2013 Radau D16/133
D687,081 S * 7/2013 Radau D16/133
D693,867 S * 11/2013 Radau D16/133

(71) Applicant: **Nikon Vision Co., Ltd.**, Tokyo (JP)

(Continued)

(72) Inventors: **Masayoshi Ueno**, Kawasaki (JP);
Tomohiro Hoshi, Tokyo (JP)

FOREIGN PATENT DOCUMENTS

(73) Assignee: **Nikon Vision Co., Ltd.**, Tokyo (JP)

JP D1173310 S 5/2003
JP D1173841 S 5/2003
JP D1173842 S 5/2003

(**) Term: **15 Years**

OTHER PUBLICATIONS

(21) Appl. No.: **29/695,959**

Nikon, Sport Optics, <https://imaging.nikon.com/lineup/sportoptics/binoculars/highgrade/x20x25/index.htm>, first available online Oct. 1, 2017.*

(22) Filed: **Jun. 24, 2019**

(Continued)

(30) **Foreign Application Priority Data**

Dec. 26, 2018 (JP) 2018-028443

Primary Examiner — Holly E Thurman

(51) **LOC (13) Cl.** **16-06**

(74) *Attorney, Agent, or Firm* — Wolf, Greenfield & Sacks, P.C.

(52) **U.S. Cl.**

USPC **D16/133**

(57) **CLAIM**

(58) **Field of Classification Search**

USPC D16/130, 133, 136, 237

CPC G02B 23/00; G02B 23/18

See application file for complete search history.

The ornamental design for binoculars, as shown and described.

DESCRIPTION

(56) **References Cited**

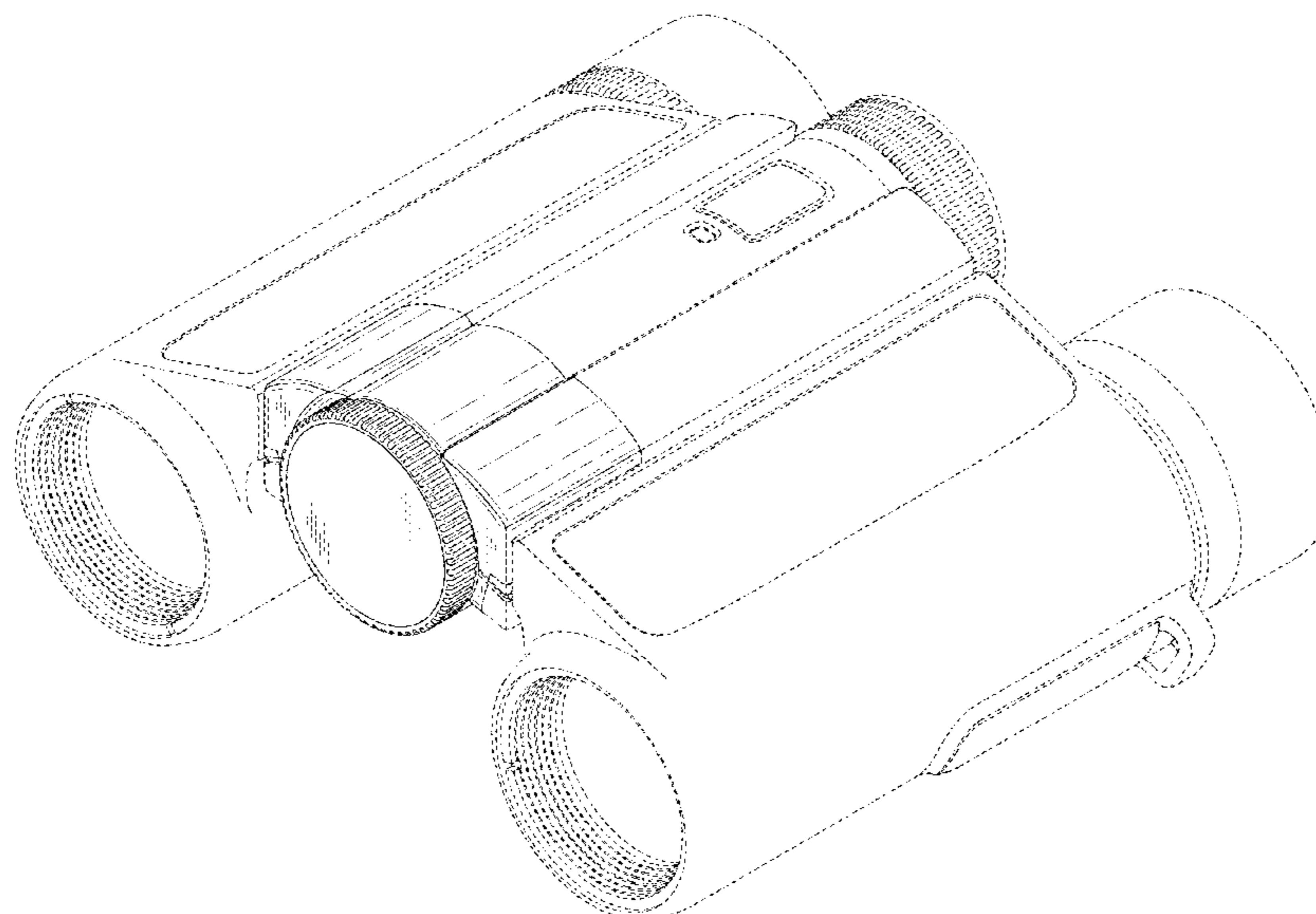
U.S. PATENT DOCUMENTS

D306,869 S * 3/1990 Takahashi D16/133
D359,972 S * 7/1995 Takahashi D16/133
D412,177 S * 7/1999 Fujii D16/133
D440,584 S * 4/2001 Lee D16/133
D473,248 S * 4/2003 Ono D16/133
D514,609 S * 2/2006 Heine D16/133
D538,317 S * 3/2007 Mullett D16/133
D551,272 S * 9/2007 Fujii D16/133
D552,140 S * 10/2007 Tonegawa D16/133
D590,857 S * 4/2009 Fujii D16/133
D621,431 S * 8/2010 Holbl D16/133
D627,378 S * 11/2010 Watanabe D16/133
D628,610 S * 12/2010 Suzuki D16/133
D681,709 S * 5/2013 Radau D16/133

FIG. 1 is a front perspective view of an embodiment of binoculars showing our new design;
FIG. 2 is a rear perspective view thereof;
FIG. 3 is a front view thereof;
FIG. 4 is a rear view thereof;
FIG. 5 is a top plan view thereof;
FIG. 6 is a bottom plan view thereof;
FIG. 7 is a left side view thereof; and,
FIG. 8 is a front perspective view thereof in a folded position.

The broken lines illustrate portions of the binoculars that form no part of the claimed design. The dash-dotted lines denote the boundary of the claim and form no part of the claimed design.

1 Claim, 8 Drawing Sheets



(56)

References Cited

U.S. PATENT DOCUMENTS

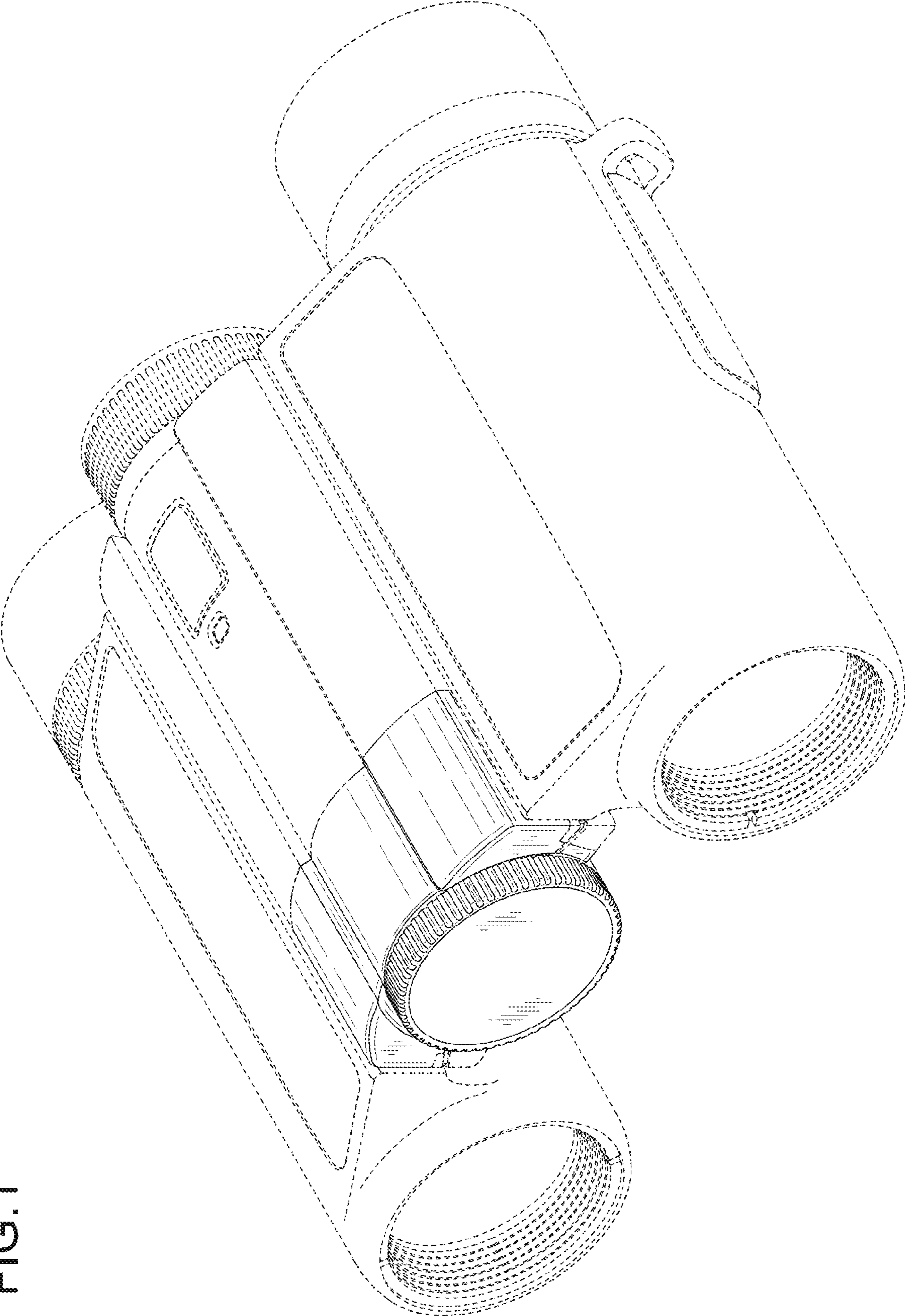
D700,644 S * 3/2014 Asano D16/133
D713,437 S * 9/2014 Soejima D16/133
D780,243 S * 2/2017 Marsiglia D16/133
D859,489 S * 9/2019 Kobayashi D16/133
D896,292 S * 9/2020 Ushio D16/133
D904,480 S * 12/2020 Vankova D16/133

OTHER PUBLICATIONS

[No Author Listed], Release of "Genesis22 PROMINAR 8x22, Genesis22 PROMINAR 10x22". Kowa Optical Products Co., Ltd. Kowa Prominar Official Web Site. Aug. 2016. 3 pages. URL:www.kowa-prominar.com/archive/press_genesis22/ [last accessed on Jun. 12, 2019].

* cited by examiner

FIG.1



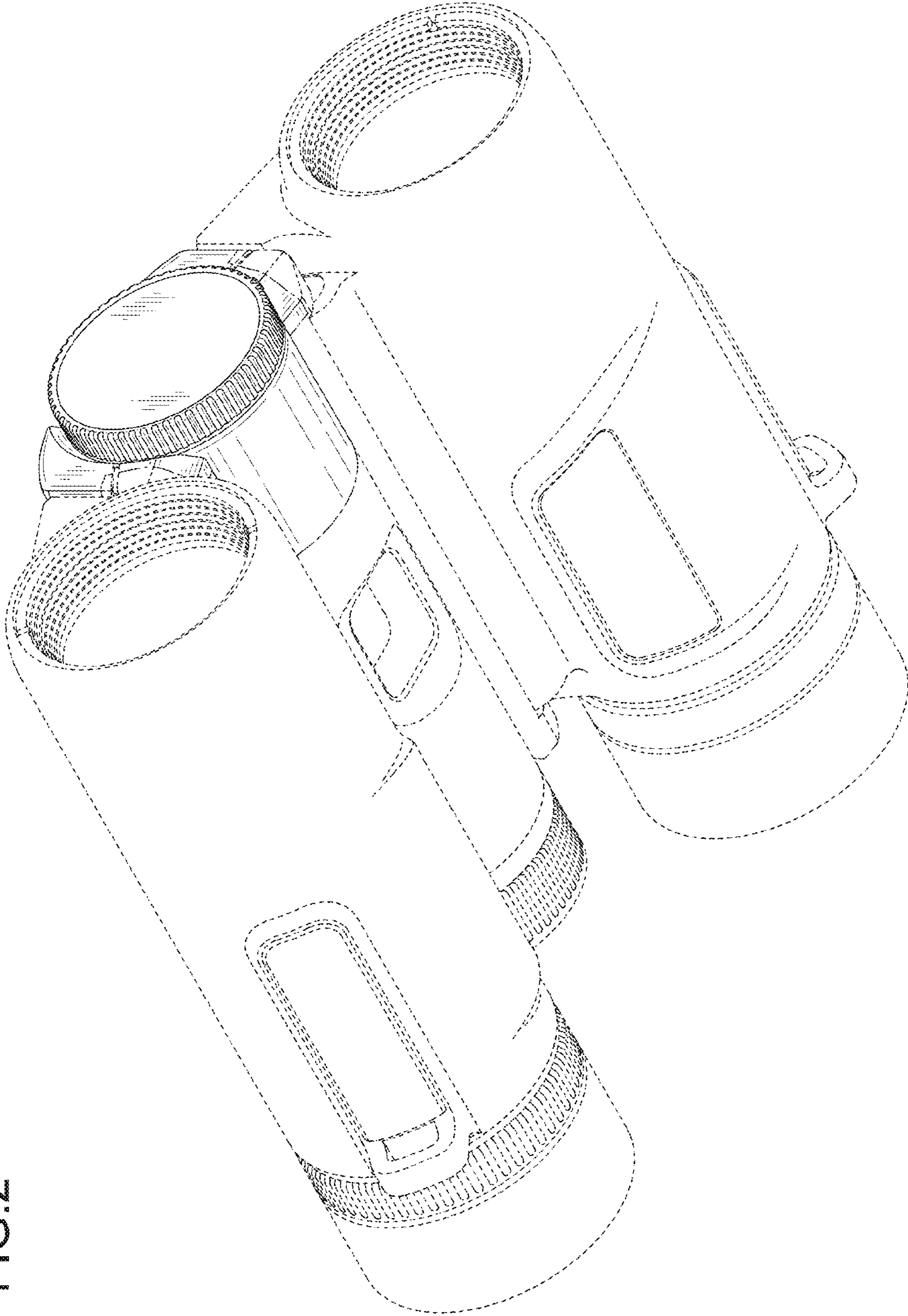


FIG.2

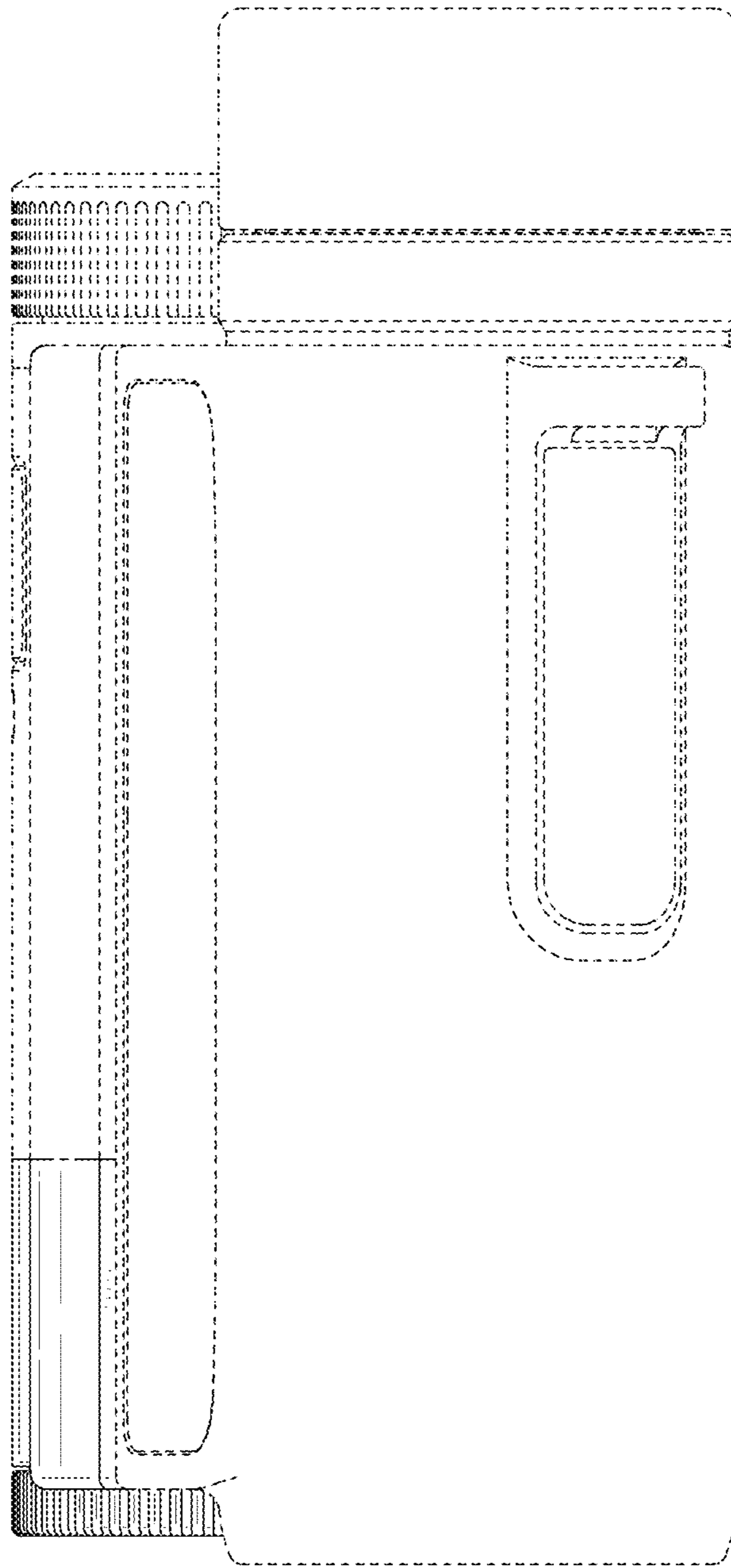


FIG.3

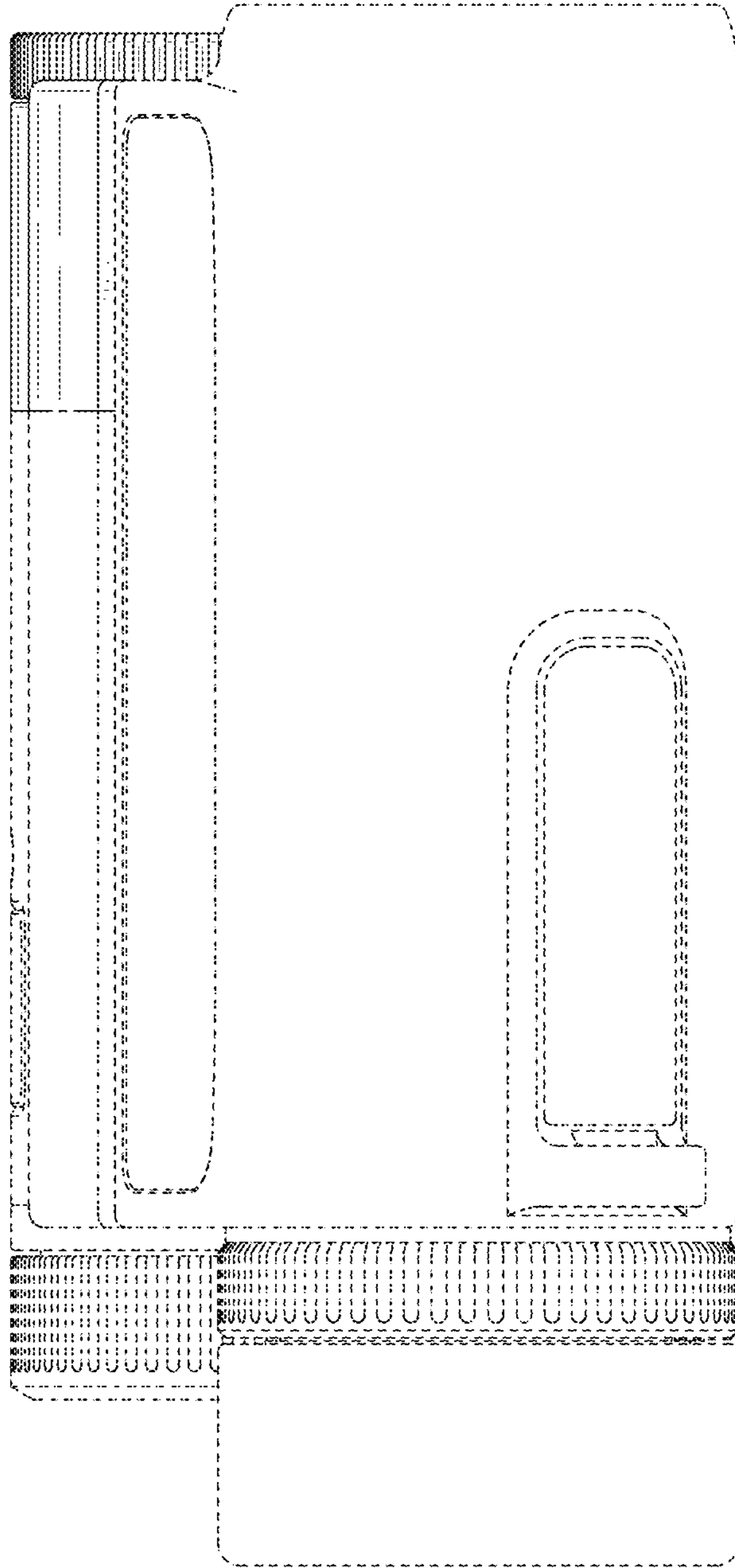


FIG.4

FIG.5

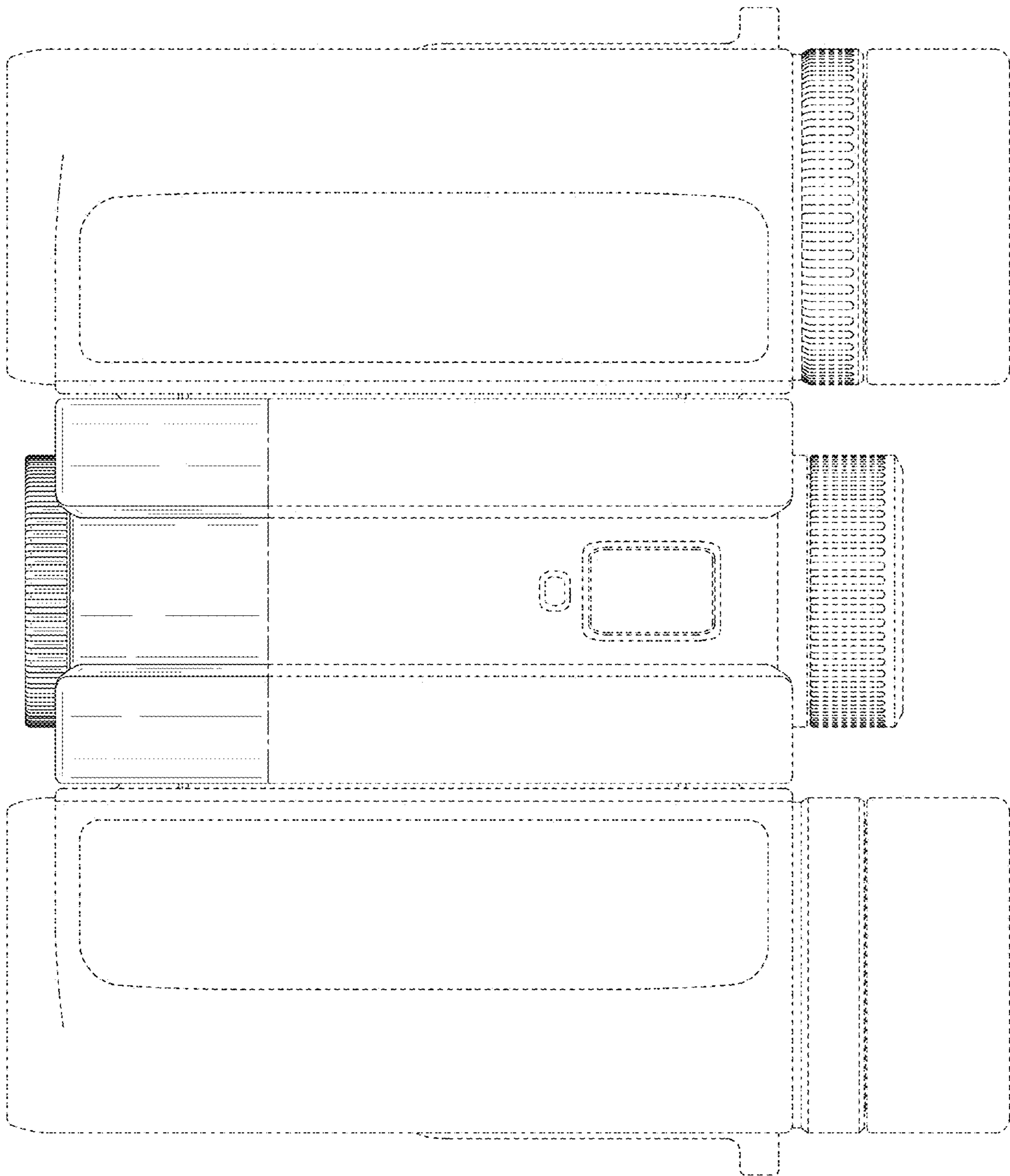
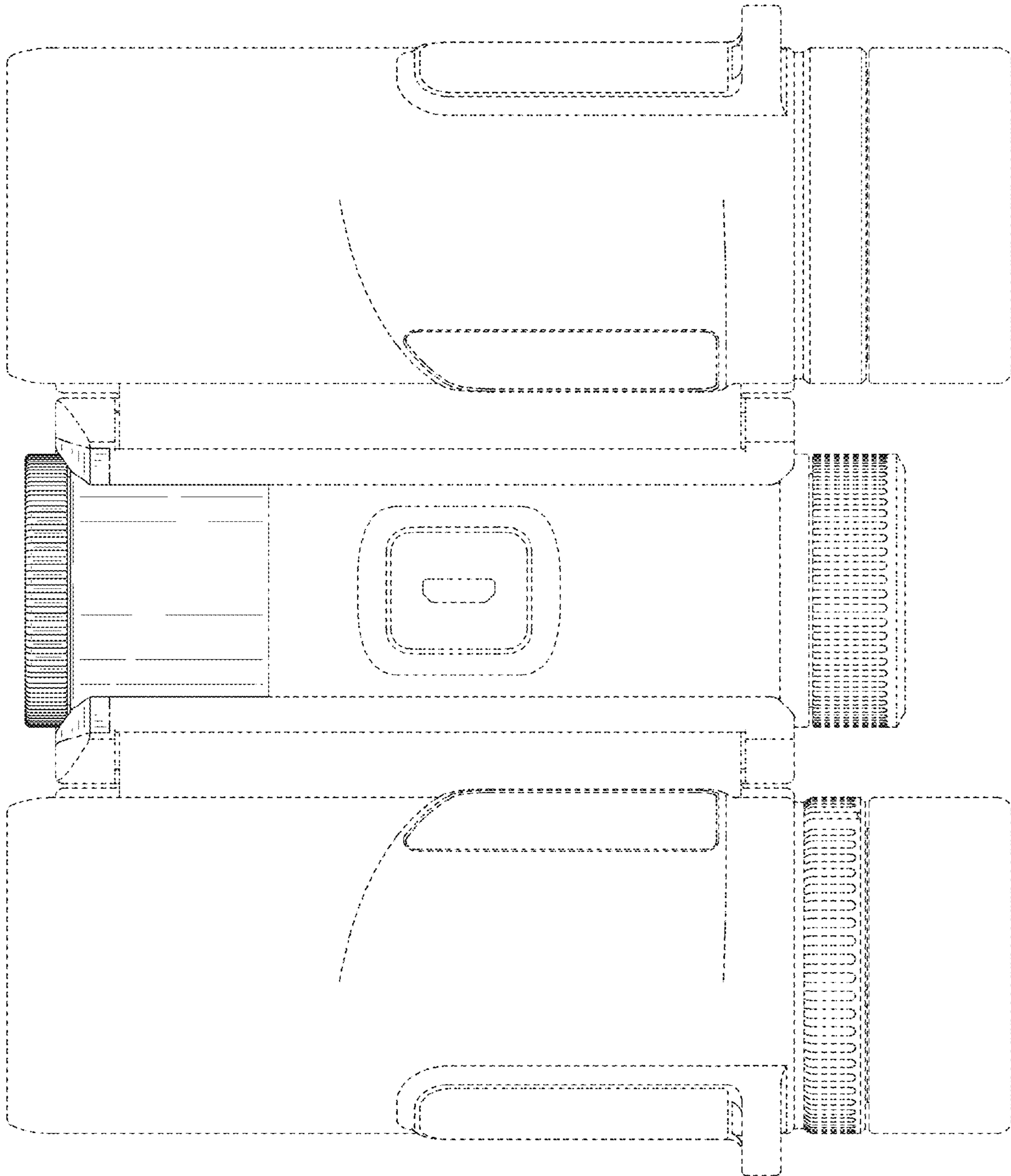


FIG.6



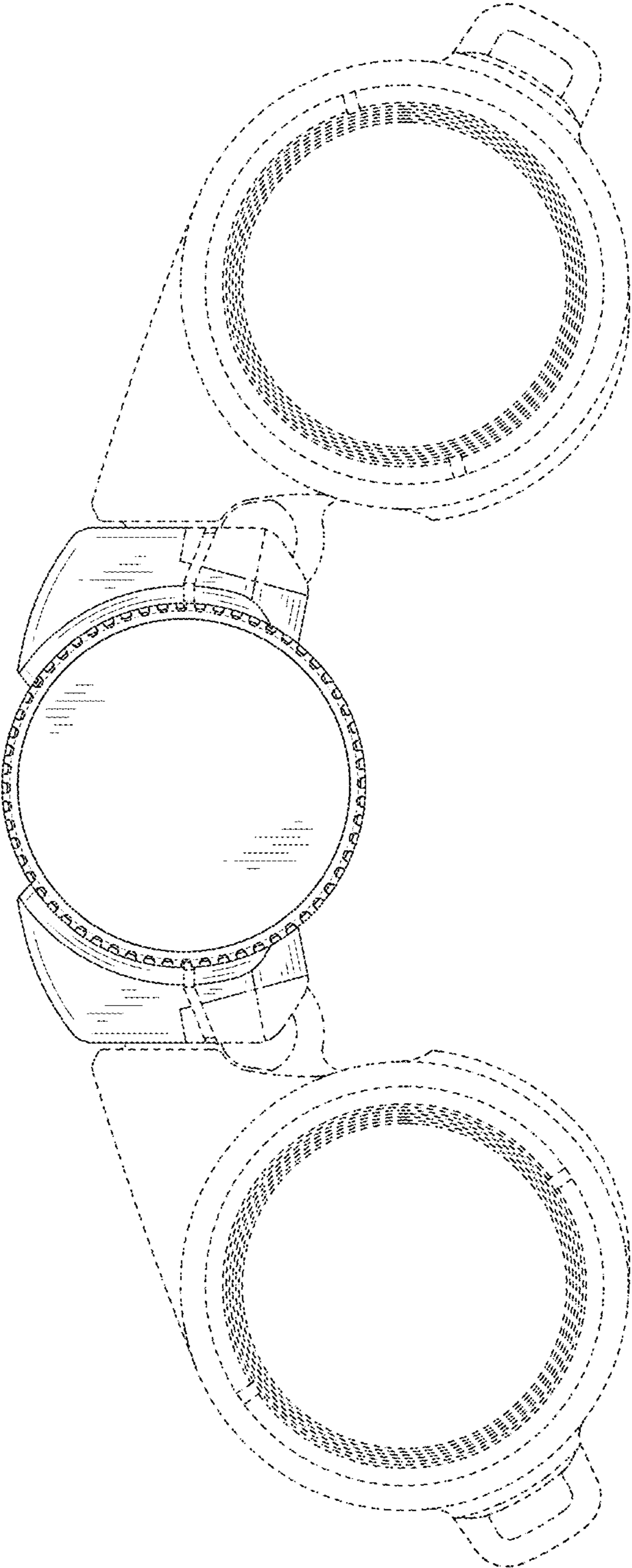


FIG.7

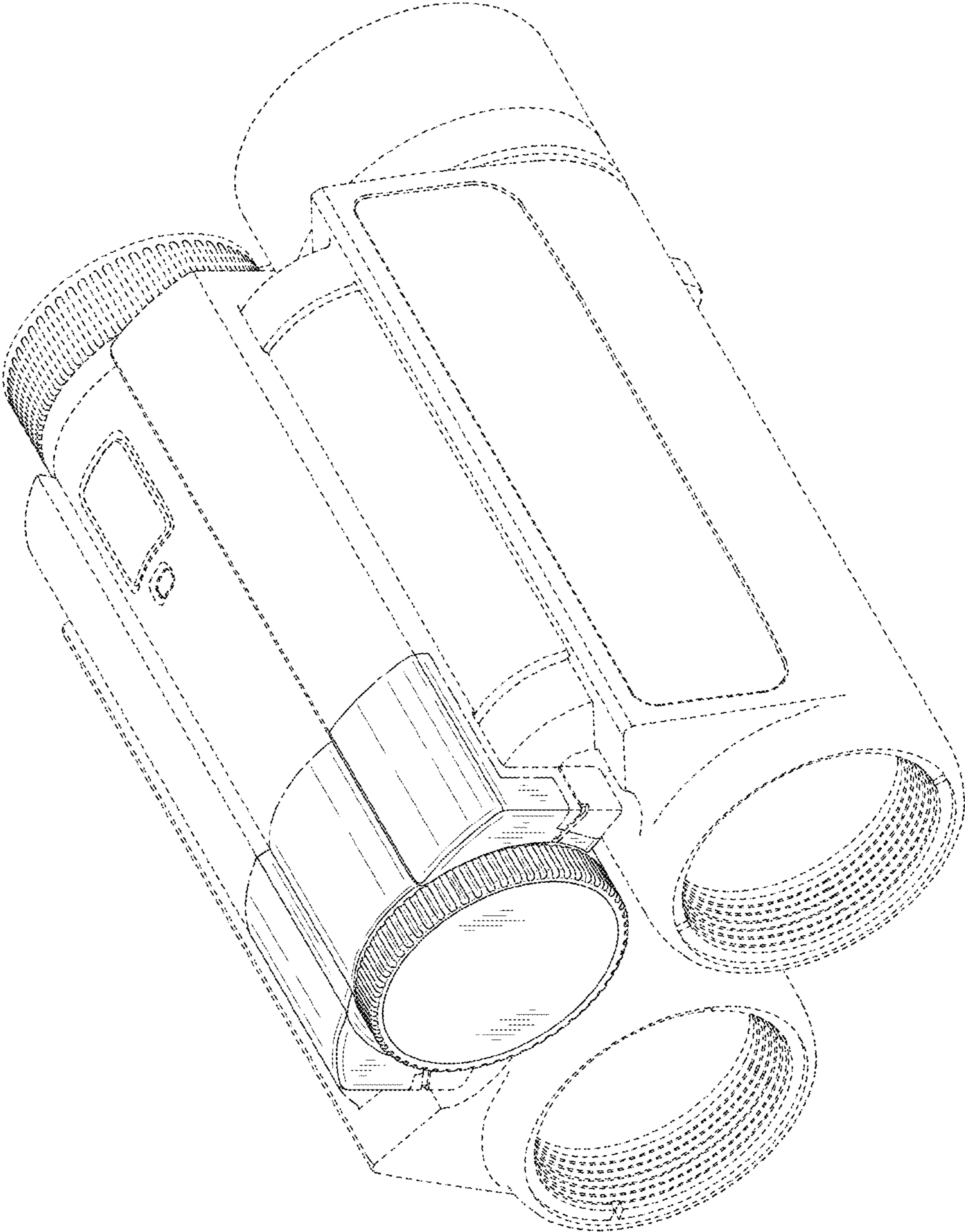


FIG. 8