



US00D945508S

(12) **United States Design Patent**
Huang

(10) **Patent No.:** **US D945,508 S**

(45) **Date of Patent:** **** Mar. 8, 2022**

(54) **WATCH WINDER**

(71) Applicant: **Yuemi Huang**, Shenzhen (CN)

(72) Inventor: **Yuemi Huang**, Shenzhen (CN)

(**) Term: **15 Years**

(21) Appl. No.: **29/813,641**

(22) Filed: **Oct. 29, 2021**

Related U.S. Application Data

(62) Division of application No. 29/747,849, filed on Aug. 26, 2020, now Pat. No. Des. 937,921.

(51) **LOC (13) Cl.** **15-99**

(52) **U.S. Cl.**
USPC **D15/199**

(58) **Field of Classification Search**
USPC D3/273-294, 298; D9/414, 418, 420,
D9/421, 423, 431-432; D15/199
CPC ... G04B 5/00; G04B 5/04; G04D 7/00; G04D
7/009
See application file for complete search history.

(56) **References Cited**

U.S. PATENT DOCUMENTS

- D349,553 S * 8/1994 Au D9/418
- 5,608,693 A * 3/1997 Richards B01F 11/0005
366/114
- 5,988,871 A * 11/1999 Bonnet G04D 7/009
368/206
- D440,583 S * 4/2001 Greene, Jr. G04B 3/006
D15/199
- D452,256 S * 12/2001 Wolf D15/199
- D474,216 S * 5/2003 Siu D15/199
- D507,709 S * 7/2005 Au D9/418
- D510,210 S * 10/2005 Au D3/294
- D511,537 S * 11/2005 Huang G04D 7/009
D15/199

- D513,024 S * 12/2005 Christianson G04D 7/009
D15/199
- D513,568 S * 1/2006 Au G04D 7/009
D3/294
- D514,848 S * 2/2006 Au D3/294
- D520,540 S * 5/2006 Siu D15/199
- D543,054 S * 5/2007 Au G04D 7/009
D3/298
- D556,227 S * 11/2007 Au D15/199
- 7,530,733 B2 * 5/2009 Louie G04D 7/009
368/206
- 7,575,367 B2 * 8/2009 Wolf, V G04B 3/006
368/206
- D607,028 S * 12/2009 Subilia D15/199
- 7,927,009 B2 * 4/2011 Huang G04D 7/009
368/206
- D658,696 S * 5/2012 Au D15/199
- 8,714,813 B2 * 5/2014 Liao H02J 50/10
368/206

(Continued)

Primary Examiner — Patricia A Palasik
(74) *Attorney, Agent, or Firm* — Westbridge IP LLC

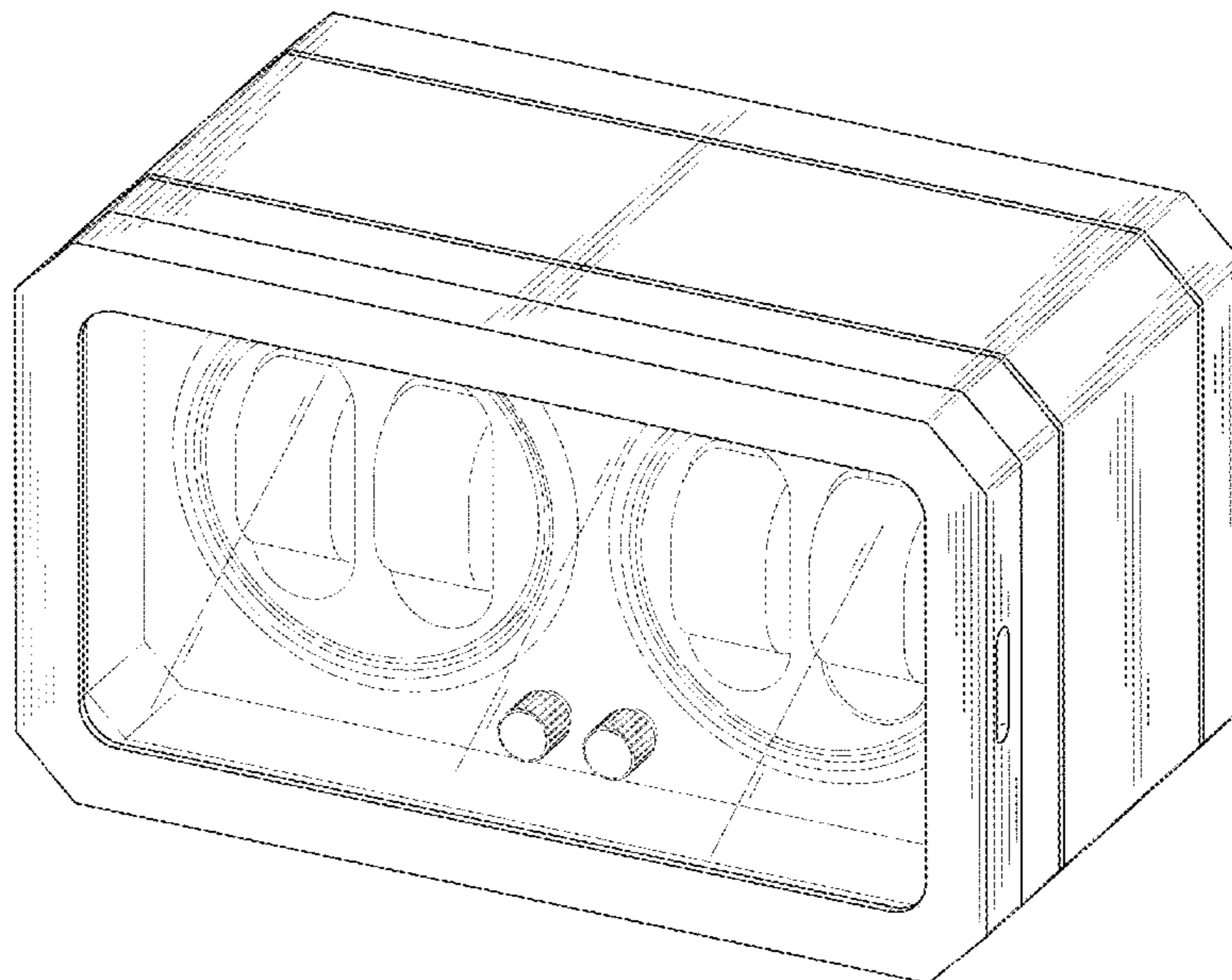
(57) **CLAIM**

The ornamental design for a watch winder, as shown and described.

DESCRIPTION

FIG. 1 is a top perspective view of a watch winder showing my new design;
FIG. 2 is a bottom perspective view thereof;
FIG. 3 is a front elevation view thereof;
FIG. 4 is a rear elevation view thereof;
FIG. 5 is a left side elevation view thereof;
FIG. 6 is a right side elevation view thereof;
FIG. 7 is a top plan view thereof; and,
FIG. 8 is a bottom plan view thereof.
The broken lines in the drawings illustrate the portions of the watch winder which form no part of the claimed design.

1 Claim, 8 Drawing Sheets



(56)

References Cited

U.S. PATENT DOCUMENTS

D707,118 S * 6/2014 Au D9/420
D719,991 S * 12/2014 Ko D15/199
D722,633 S * 2/2015 Au D15/199
D781,944 S * 3/2017 Lee D15/199
D886,879 S * 6/2020 Liu D15/199
D886,880 S * 6/2020 Liu D15/199
D905,144 S * 12/2020 Liang D15/199
D905,773 S * 12/2020 Liang D15/199
D937,921 S * 12/2021 Huang D15/199
2005/0254352 A1 * 11/2005 Wolf, V G04D 7/009
368/206
2007/0223319 A1 * 9/2007 Hill G04B 5/00
368/206
2010/0165798 A1 * 7/2010 Huang G04B 5/00
368/206
2012/0082011 A1 * 4/2012 Liao H02J 50/40
368/206
2015/0143957 A1 * 5/2015 Liao G04D 7/009
81/7.5

* cited by examiner

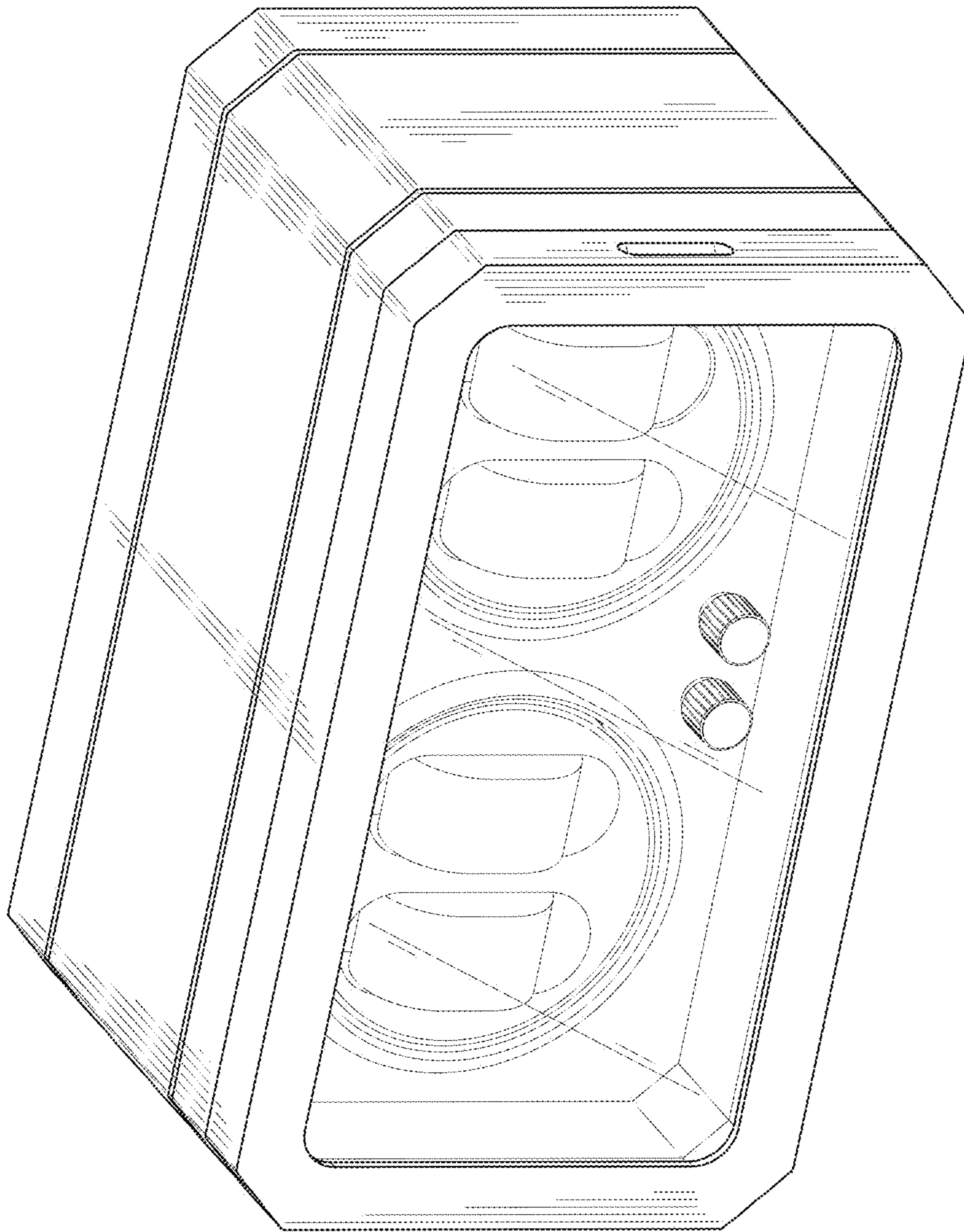


FIG. 1

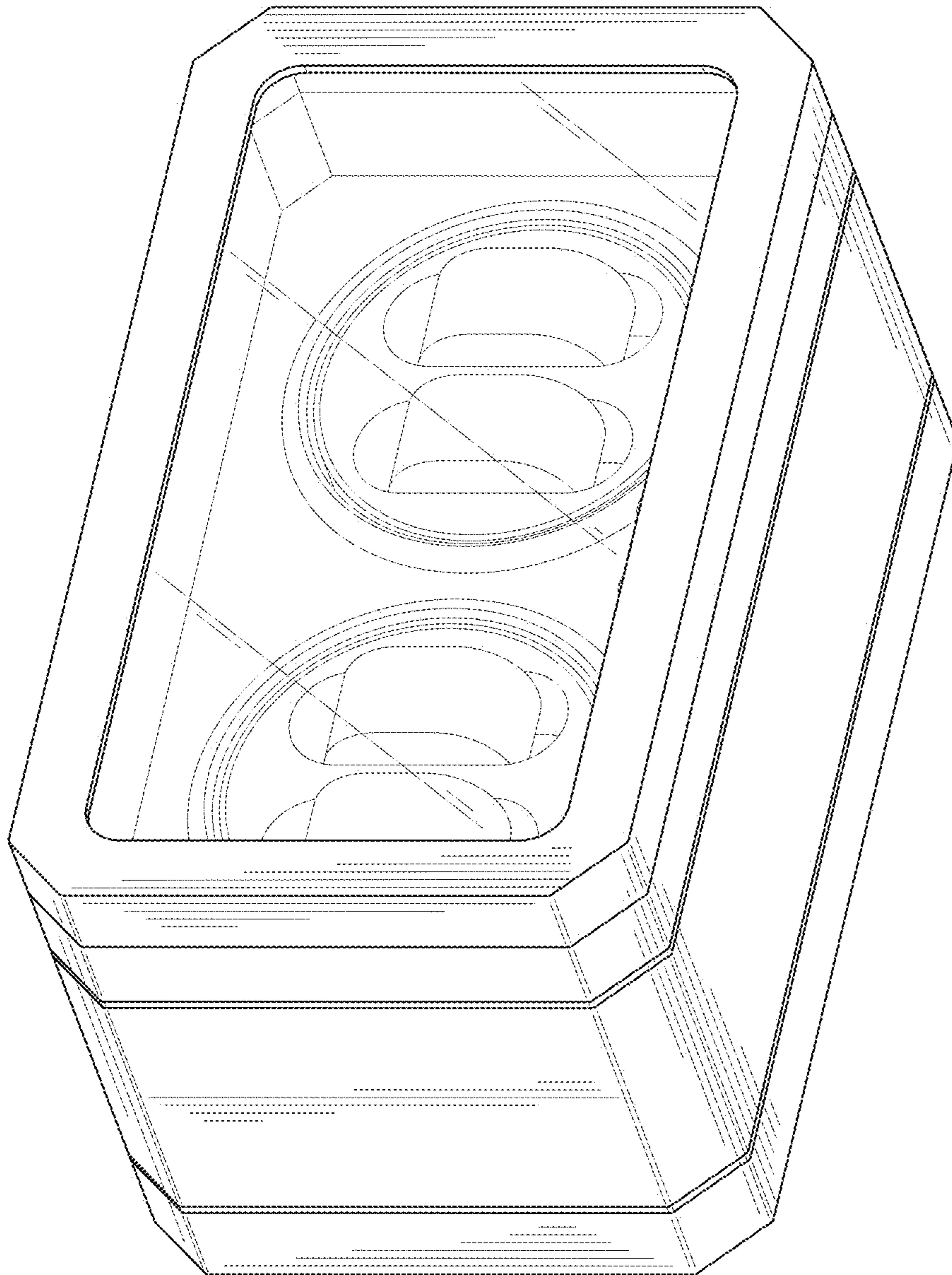


FIG. 2

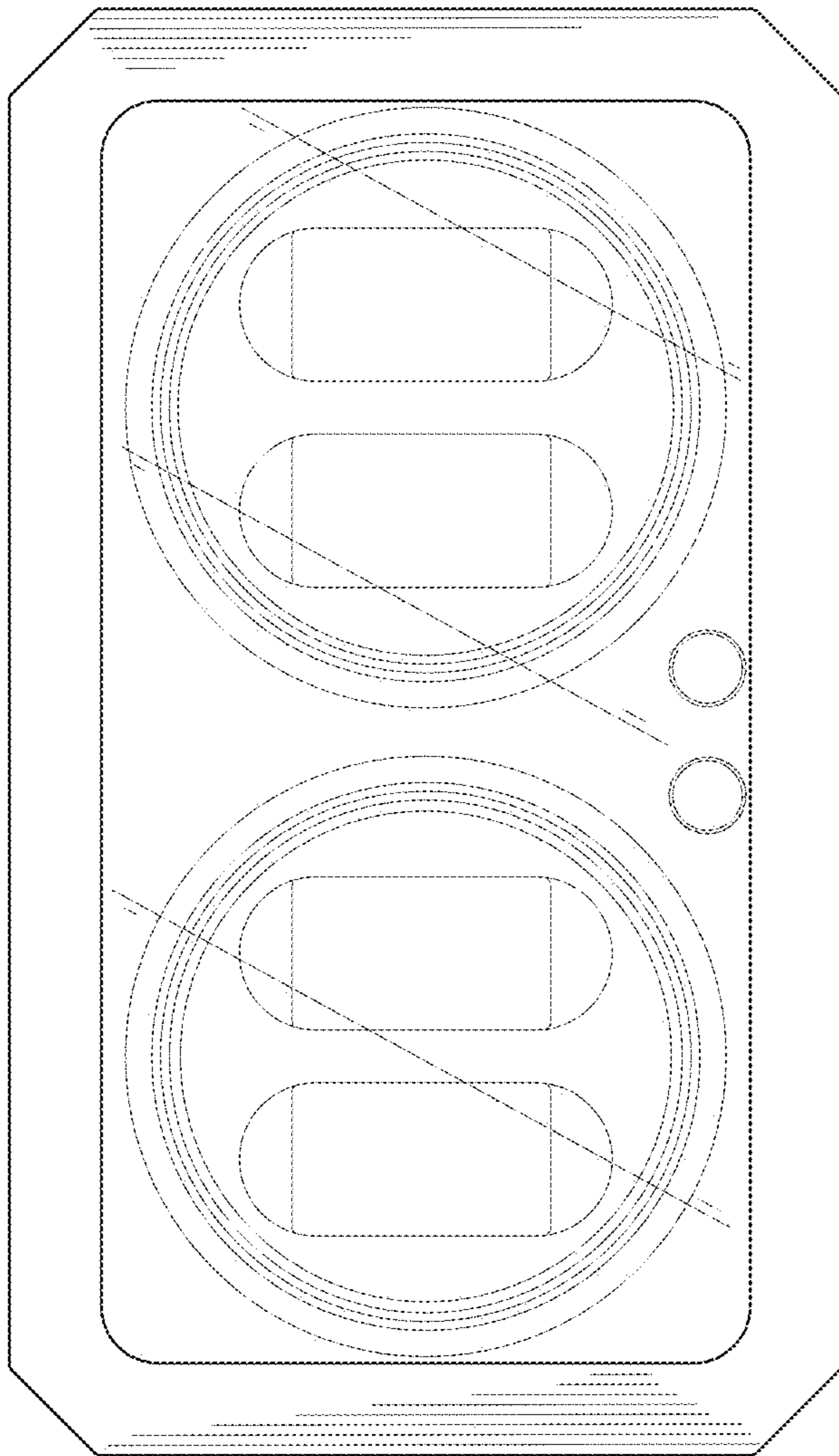


FIG. 3

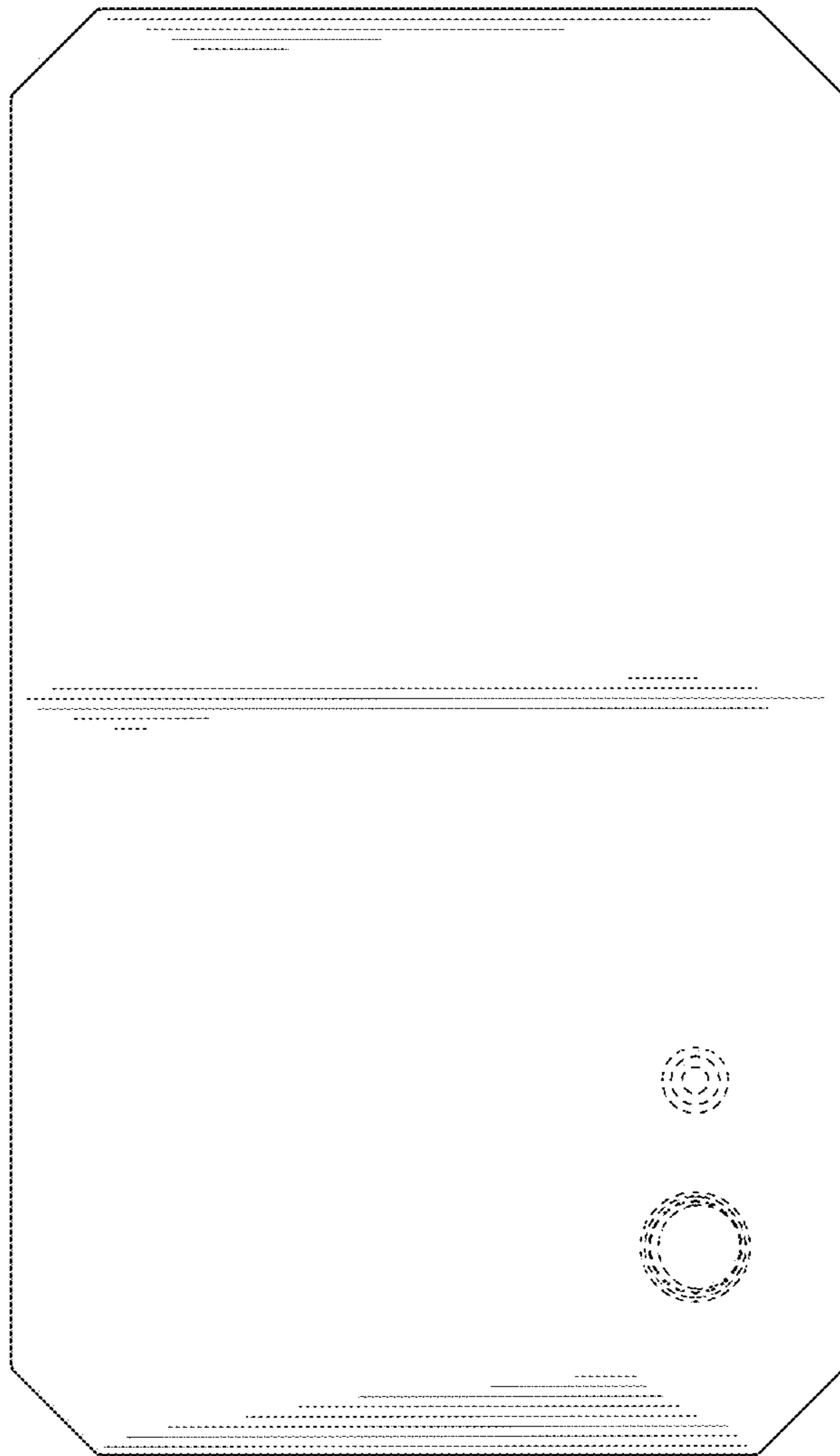


FIG. 4

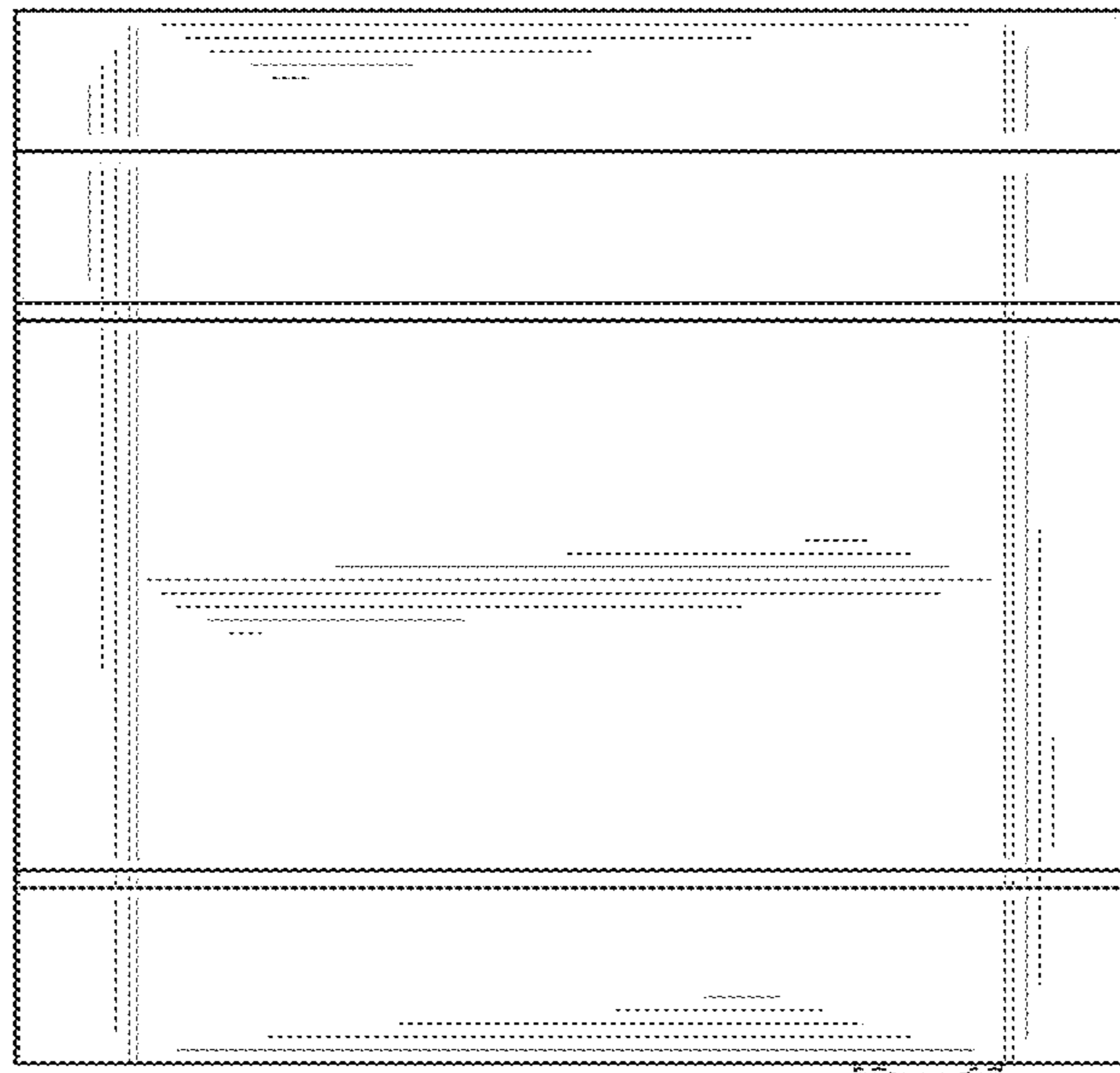


FIG. 5

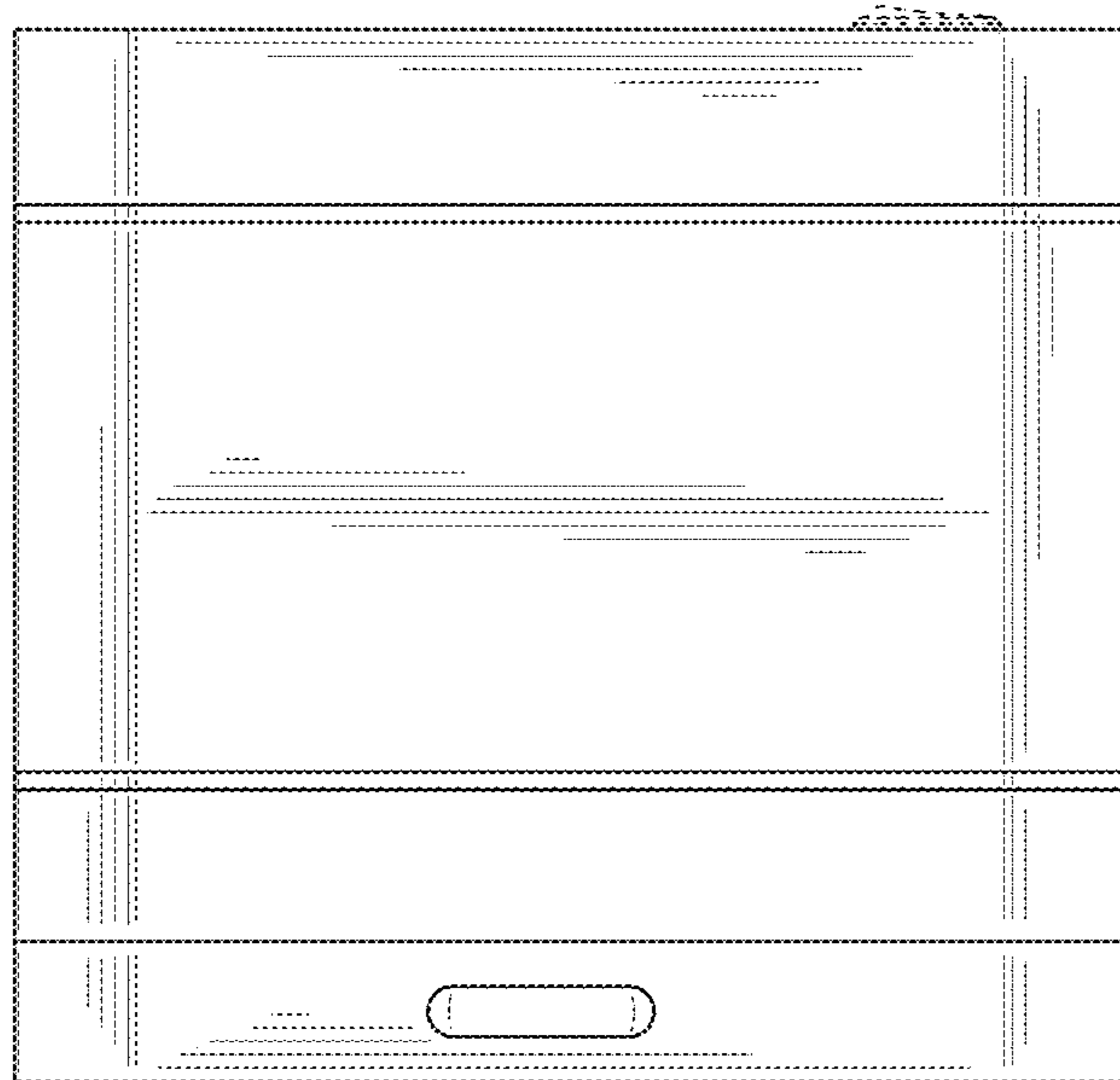


FIG. 6

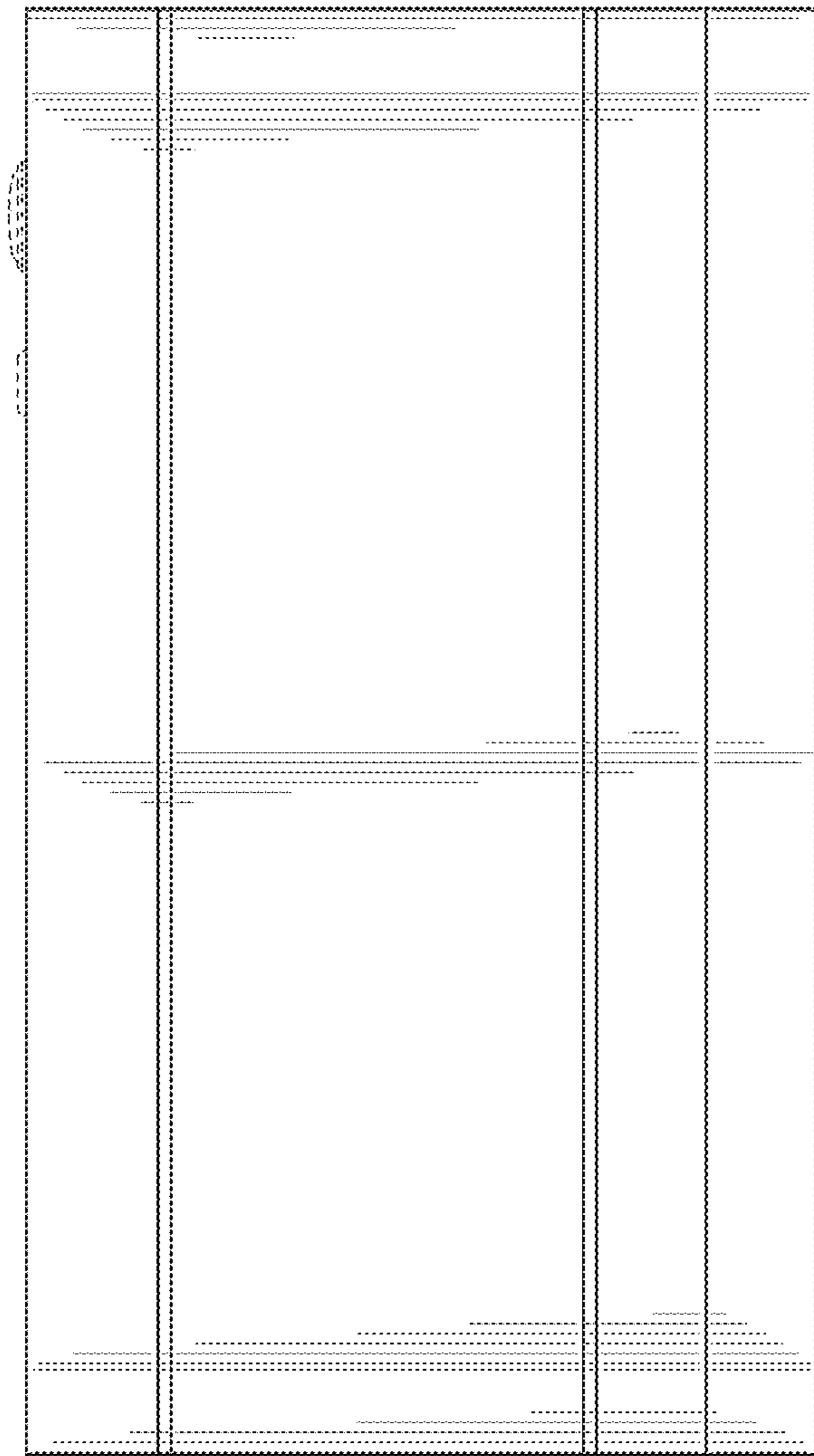


FIG. 7

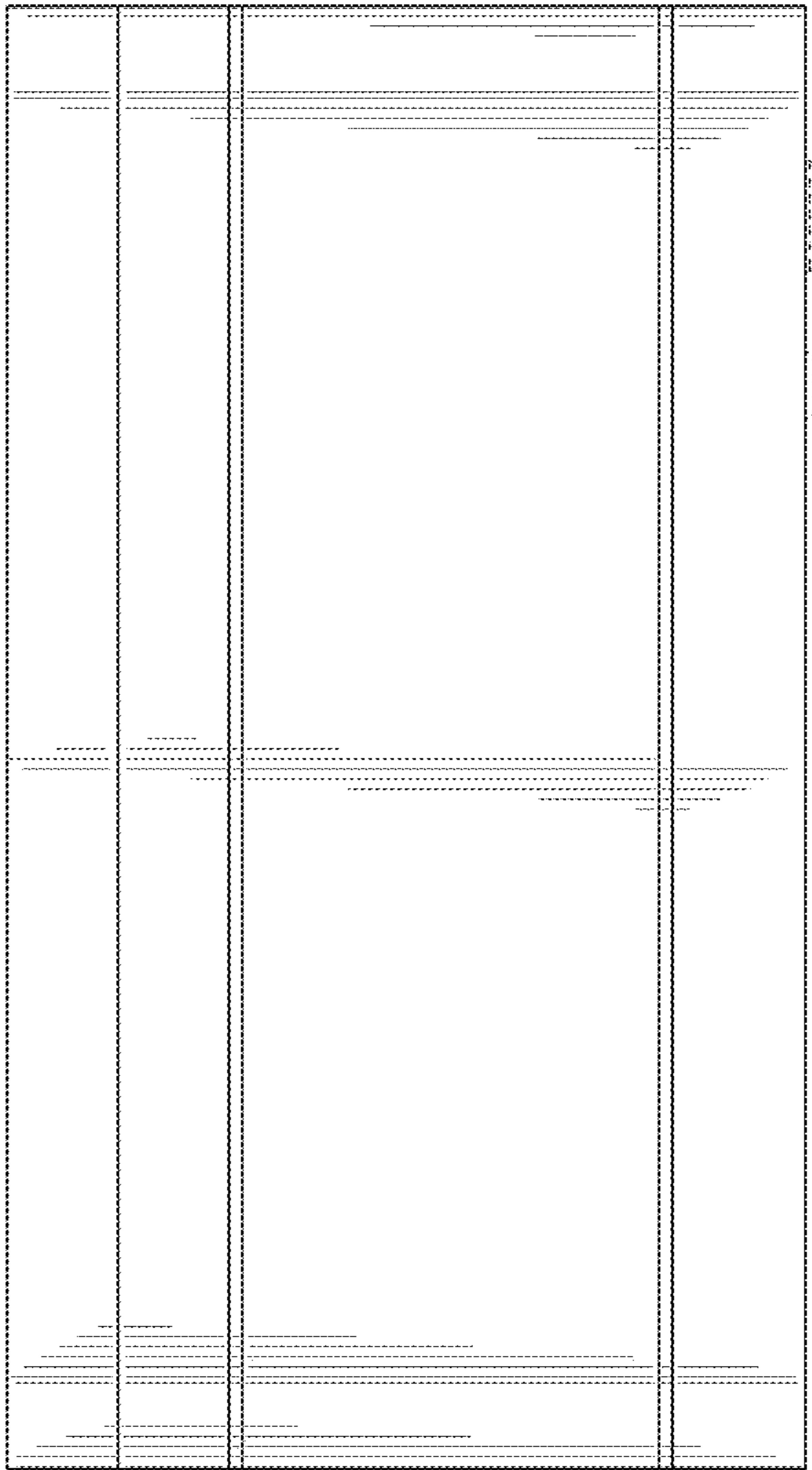


FIG. 8