



US00D945507S

(12) **United States Design Patent**  
**Kremesec et al.**

(10) **Patent No.:** **US D945,507 S**  
(45) **Date of Patent:** **\*\* Mar. 8, 2022**

(54) **MOBILE ROBOT FOR OBJECT DETECTION**

- (71) Applicant: **BOSSA NOVA ROBOTICS IP, INC.**, Pittsburgh, PA (US)
- (72) Inventors: **Garrick Kremesec**, San Francisco, CA (US); **Matthew Brekken**, Thorton, CO (US); **Carlos Ramos**, San Jose, CA (US); **Jussi Timonen**, Burbank, CA (US); **Christian Carlberg**, San Luis Obispo, CA (US); **Daniel Shope**, Chambersburg, PA (US); **Sarjoun Skaff**, Pittsburgh, PA (US); **Rachael Putnam**, Mountain View, CA (US); **Brendan McLeod**, Londonderry, NH (US)
- (73) Assignee: **BOSSA NOVA ROBOTICS IP, INC.**, Pittsburgh, PA (US)
- (\*\*) Term: **15 Years**
- (21) Appl. No.: **29/739,909**
- (22) Filed: **Jun. 30, 2020**
- (51) **LOC (13) Cl.** ..... **15-99**
- (52) **U.S. Cl.**  
USPC ..... **D15/199**
- (58) **Field of Classification Search**  
USPC ..... D15/199; D21/578-583, 621; D34/34  
CPC ..... A63H 3/48; A63H 11/20; A63H 30/04;  
A63H 2200/00; B25J 5/007; B25J 11/00;  
B25J 11/008; B62D 57/024; G06N 3/008;  
Y10S 901/01  
See application file for complete search history.

(56) **References Cited**

**U.S. PATENT DOCUMENTS**

D675,656 S	2/2013	Sutherland et al.	
D735,258 S *	7/2015	Jang	D15/199
9,174,342 B2 *	11/2015	Pinter	B25J 9/1676
9,776,327 B2 *	10/2017	Pinter	G16H 40/67
D811,458 S *	2/2018	Wang	D15/199

(Continued)

**OTHER PUBLICATIONS**

Screen captures from YouTube video clip entitled "Leti Innovation Days—Jun. 26, 2019—Morning sessions," 1 page, uploaded on Jun. 26, 2019 by user 'CEA-Leti'. Retrieved from Internet: <https://www.youtube.com/watch?v=Q84tB2B\_5Jg>.

*Primary Examiner* — Patricia A Palasik

(57) **CLAIM**

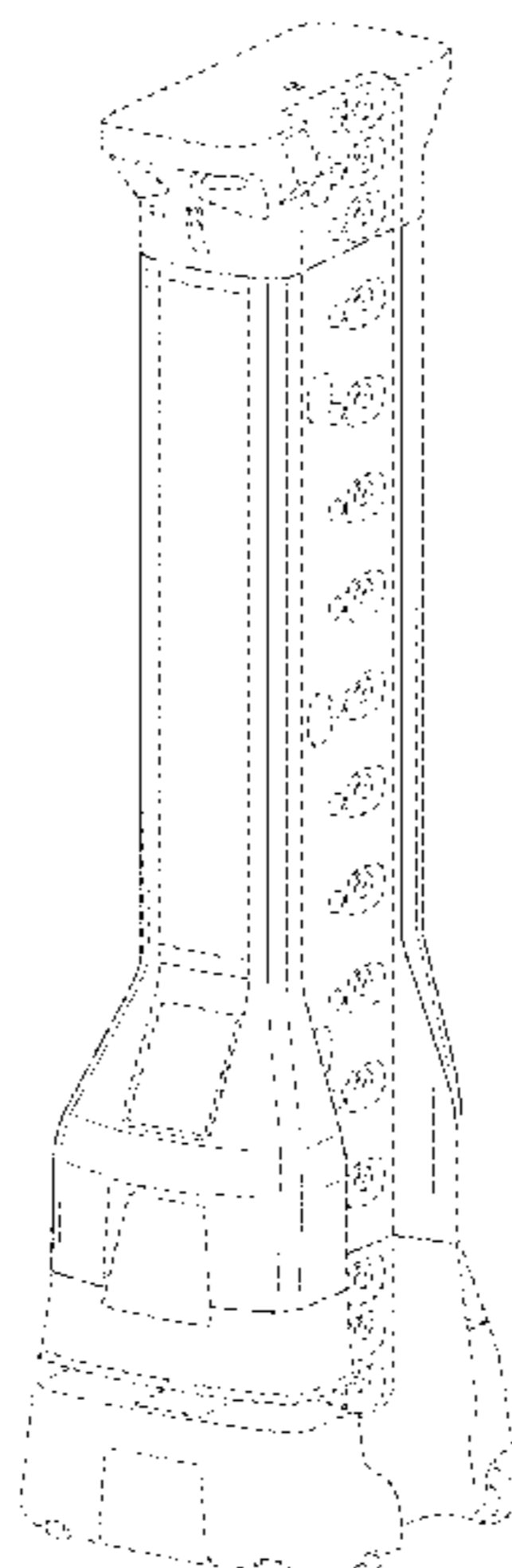
The ornamental design for a mobile robot for object detection, as shown and described.

**DESCRIPTION**

FIG. 1 is a front-left perspective view of a mobile robot for object detection;  
 FIG. 2 is a rear-left perspective view of the mobile robot for object detection;  
 FIG. 3. is a rear-right perspective view of the mobile robot for object detection;  
 FIG. 4 is a front side view of the mobile robot for object detection;  
 FIG. 5 is a left side view of the mobile robot for object detection;  
 FIG. 6 is a rear side view of the mobile robot for object detection;  
 FIG. 7 is right side view of the mobile robot for object detection;  
 FIG. 8 is a top view of the mobile robot for object detection;  
 and,  
 FIG. 9 is a bottom view of the mobile robot for object detection.

In the drawings, the dash-dot broken lines define a boundary of the mobile robot that forms no part of the claimed design. The dashed broken lines depict portions of the mobile robot that form no part of the claimed design. The relatively light shade lines on the surface portions indicate contour not surface decoration.

**1 Claim, 9 Drawing Sheets**



(56)

References Cited

U.S. PATENT DOCUMENTS

D817,375 S \* 5/2018 Deyle ..... D15/199  
 D819,712 S 6/2018 Gee et al.  
 D822,736 S 7/2018 Kato et al.  
 D841,067 S \* 2/2019 Camporesi ..... D15/199  
 D843,428 S 3/2019 Gee  
 D849,813 S \* 5/2019 Sutherland ..... D15/199  
 D854,595 S 7/2019 Gayne et al.  
 D855,673 S \* 8/2019 Sutherland ..... D15/199  
 D856,389 S 8/2019 Gayne et al.  
 D857,073 S \* 8/2019 Gayne ..... D15/199  
 D859,485 S \* 9/2019 Sutherland ..... D15/199  
 D872,788 S \* 1/2020 Sutherland ..... D15/199  
 10,565,548 B2 2/2020 Skaff et al.  
 D877,786 S \* 3/2020 Gayne ..... D15/199  
 D884,043 S \* 5/2020 Song ..... D15/199  
 D908,151 S \* 1/2021 Song ..... D15/199  
 D913,349 S \* 3/2021 Yao ..... D15/199  
 D915,486 S \* 4/2021 Gidwell ..... D15/199  
 D917,591 S \* 4/2021 Xiao ..... D15/199

D918,281 S \* 5/2021 Kong ..... D15/199  
 D918,978 S \* 5/2021 Li ..... D15/199  
 D919,687 S \* 5/2021 Song ..... D15/199  
 D920,410 S \* 5/2021 Chen ..... D15/199  
 D920,411 S \* 5/2021 Zheng ..... D15/199  
 D921,080 S \* 6/2021 Chen ..... D15/199  
 D921,082 S \* 6/2021 Hernandez ..... D15/199  
 D921,083 S \* 6/2021 Hernandez ..... D15/199  
 D924,956 S \* 7/2021 Pajevic ..... D15/199  
 2008/0077511 A1 3/2008 Zimmerman  
 2009/0192921 A1 7/2009 Hicks  
 2015/0073589 A1\* 3/2015 Khodl ..... B65G 1/1378  
 700/218  
 2015/0363758 A1 12/2015 Wu et al.  
 2016/0119540 A1 4/2016 Wu  
 2017/0032311 A1 2/2017 Rizzolo et al.  
 2017/0193434 A1 7/2017 Shah et al.  
 2017/0282731 A1 10/2017 Kwa et al.  
 2017/0337506 A1\* 11/2017 Wise ..... B65G 61/00  
 2018/0108134 A1 4/2018 Venable et al.  
 2018/0293543 A1 10/2018 Tiwari et al.  
 2021/0178576 A1\* 6/2021 Murphy ..... B25J 9/163

\* cited by examiner

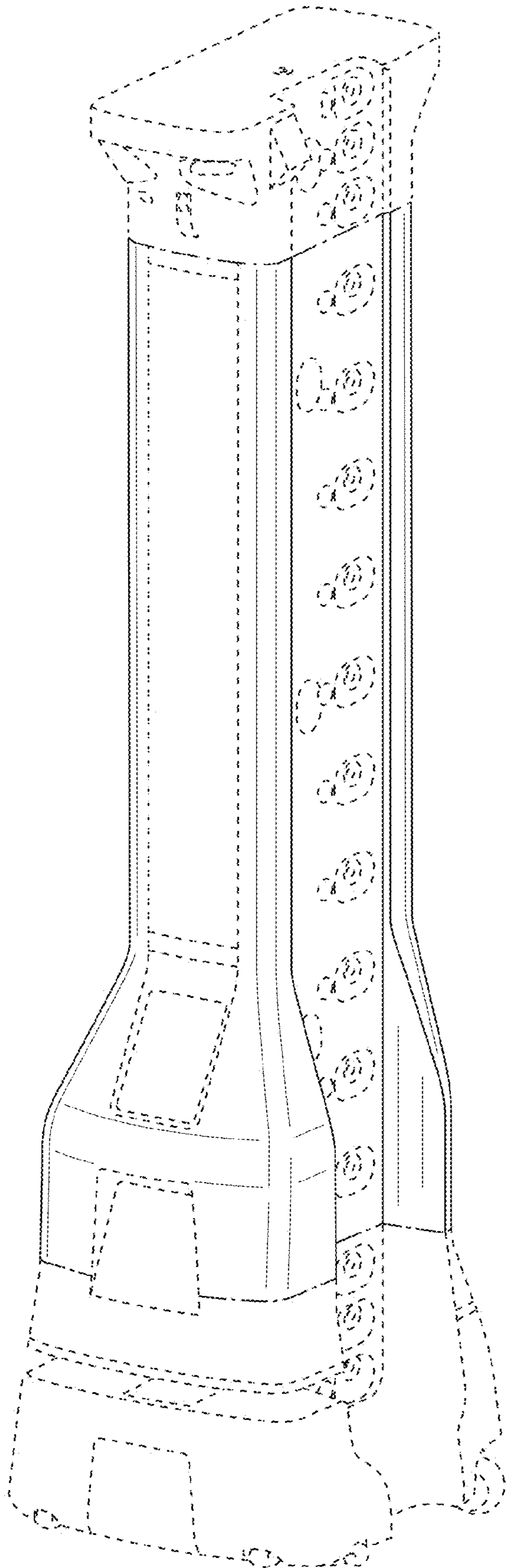


FIG. 1

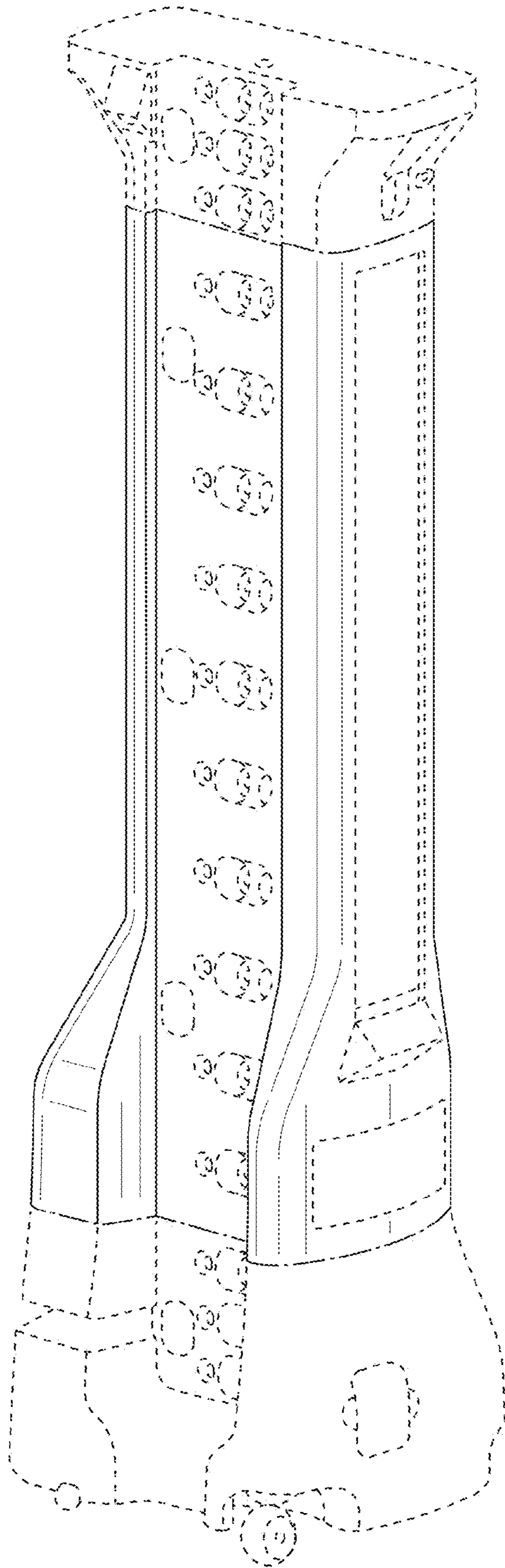


FIG. 2

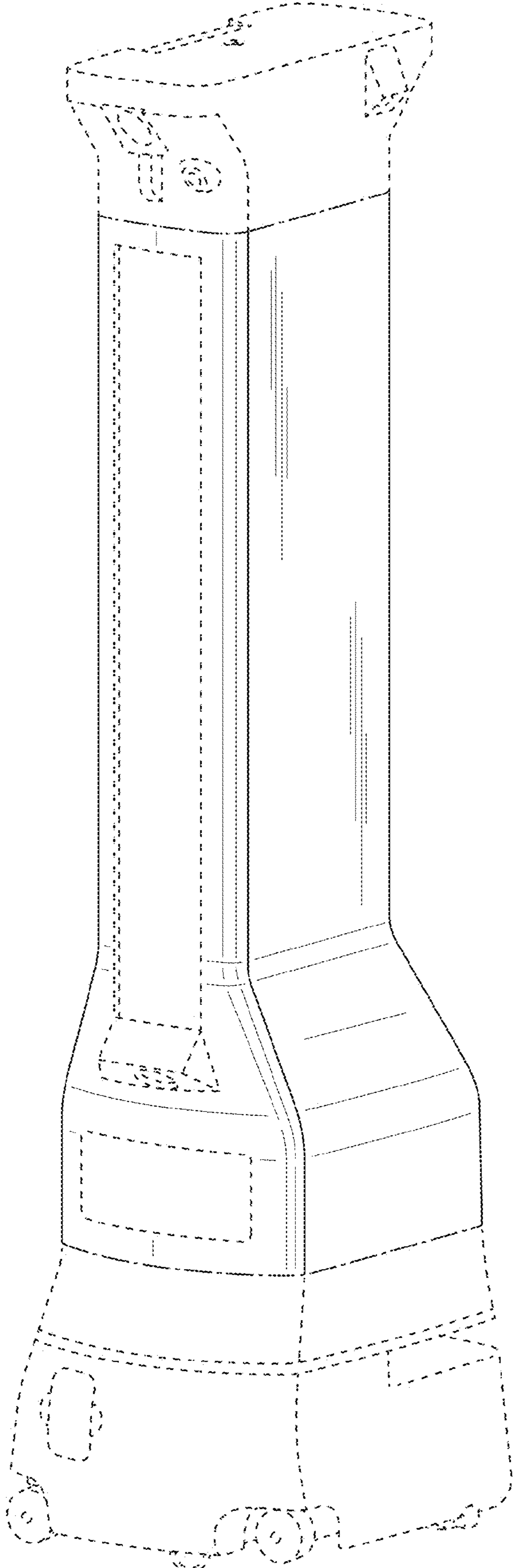


FIG. 3

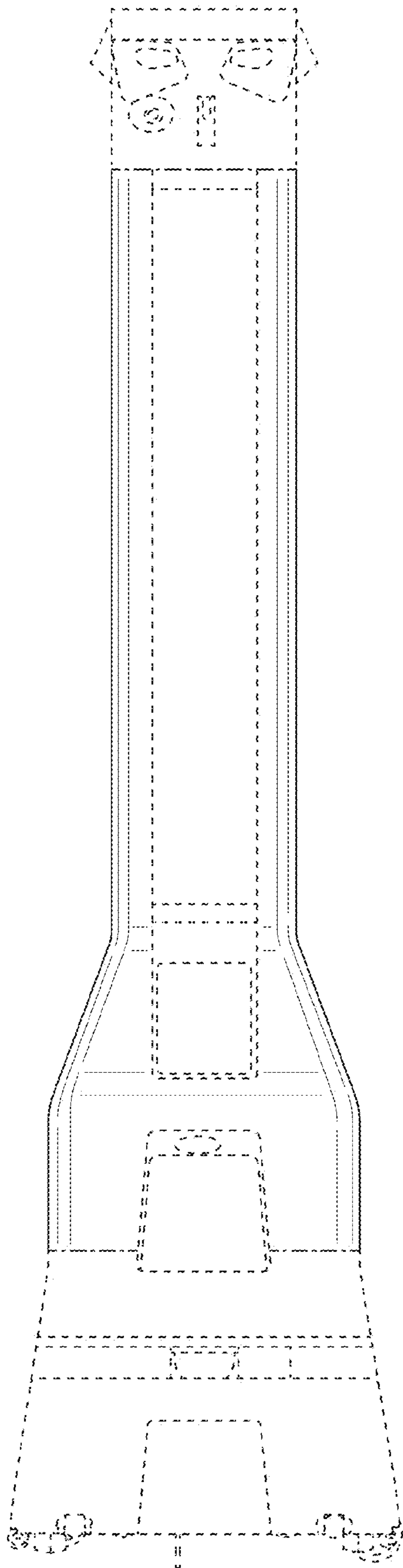


FIG. 4

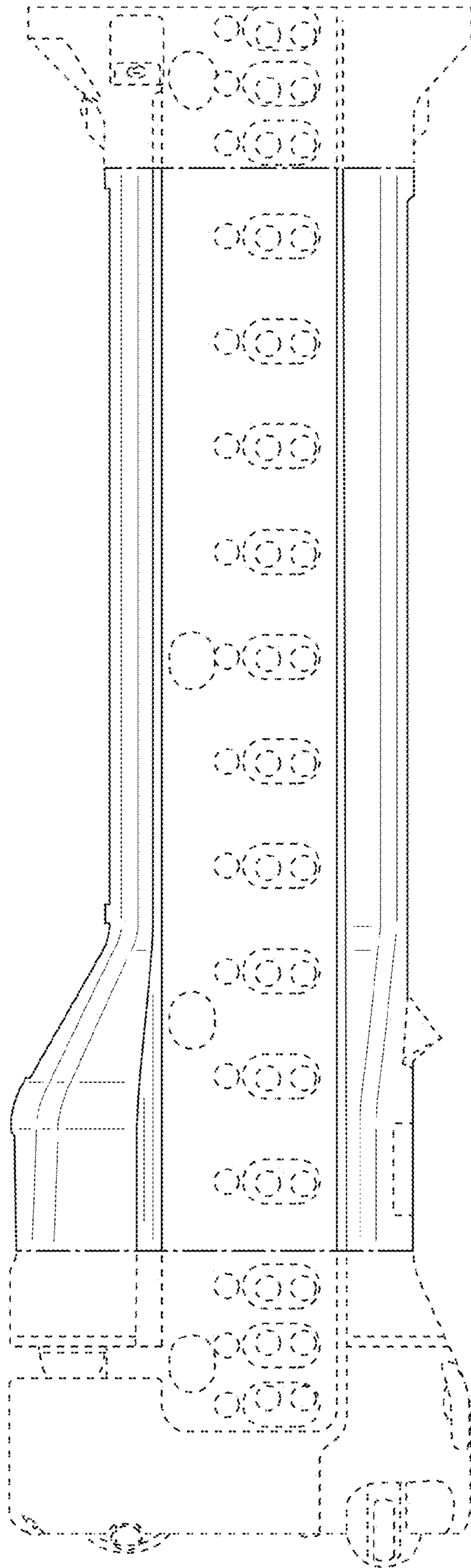


FIG. 5

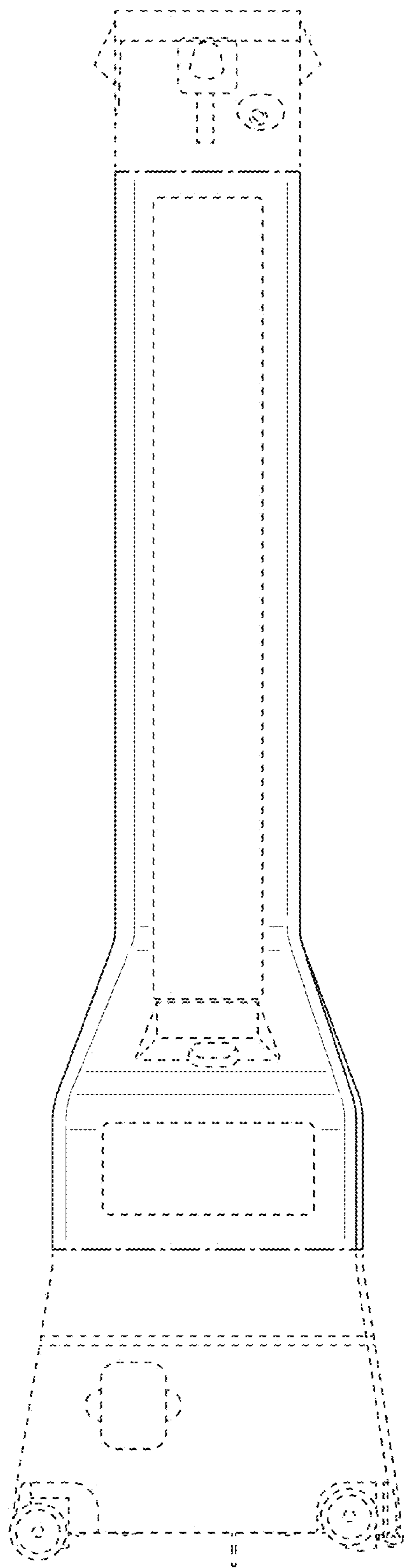


FIG. 6



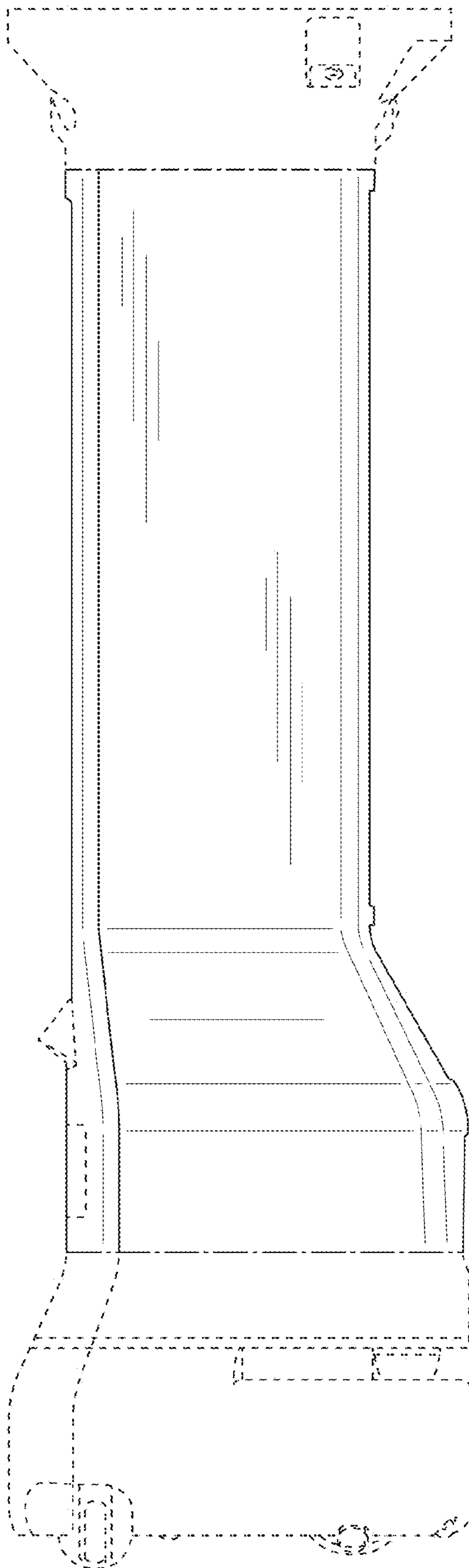


FIG. 7

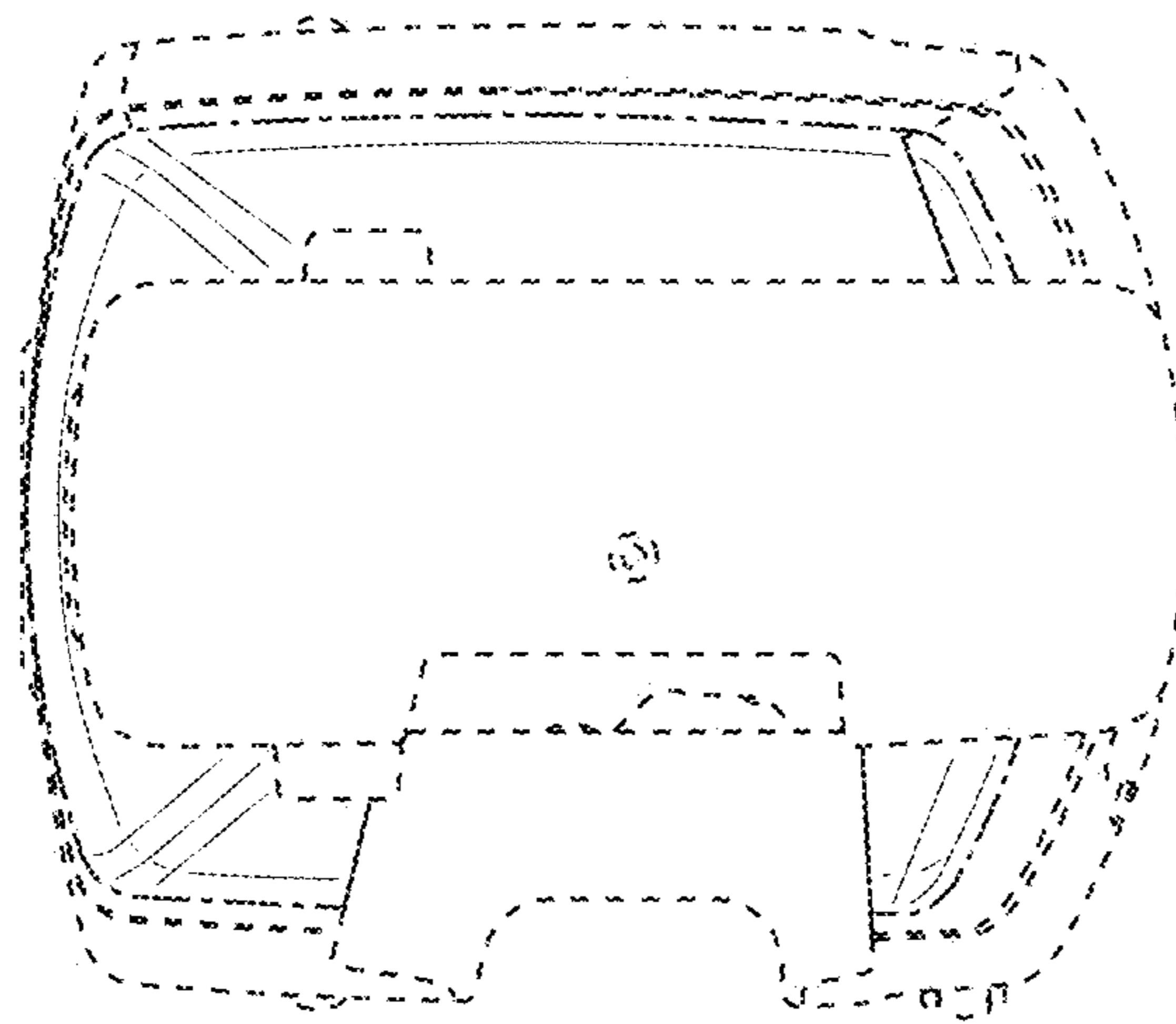


FIG. 8

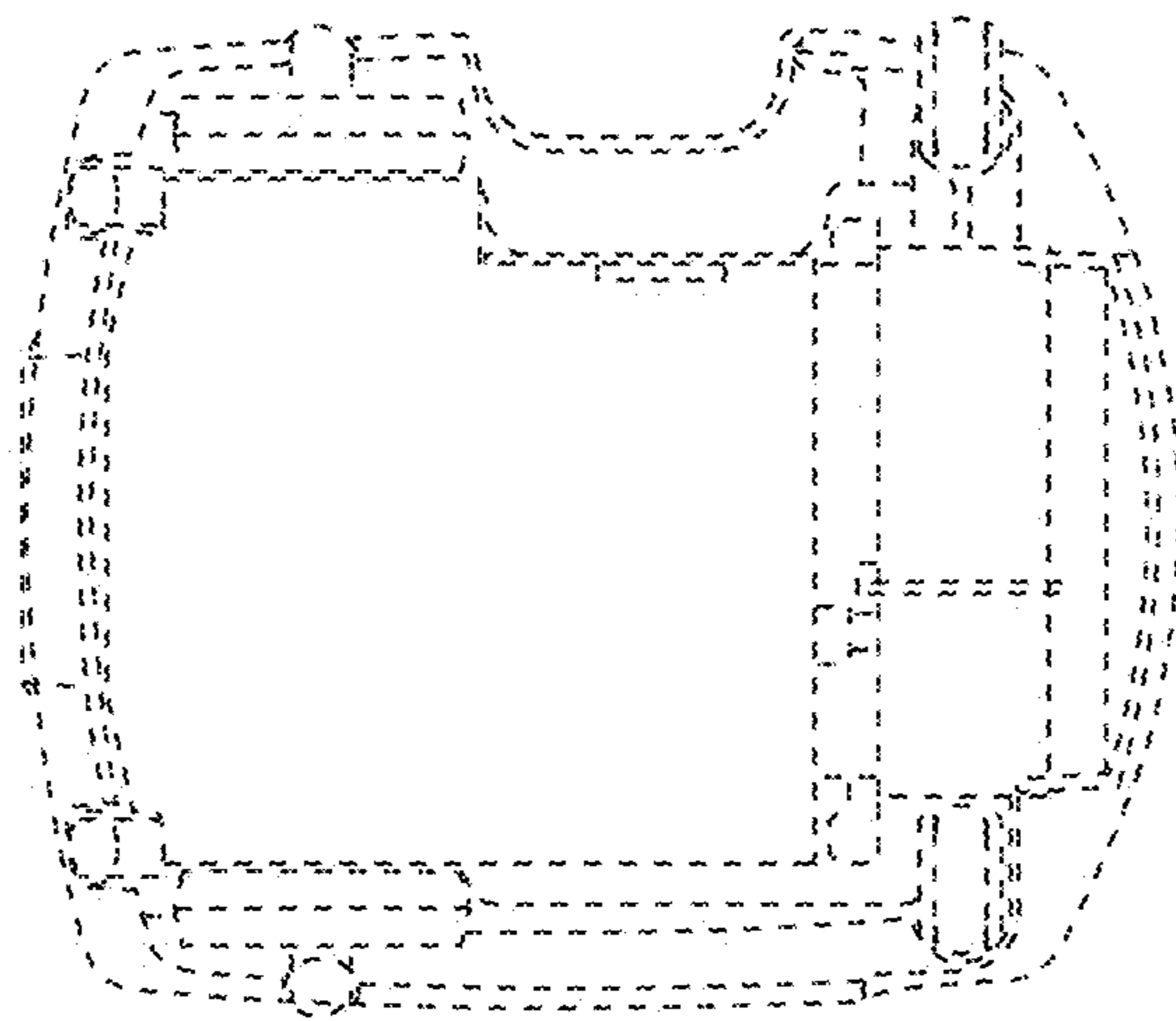


FIG. 9