



US00D945506S

(12) **United States Design Patent**
Abel et al.

(10) **Patent No.:** **US D945,506 S**
(45) **Date of Patent:** **** Mar. 8, 2022**

(54) **MOVABLE BARRIER OPERATOR DEVICE**

(71) Applicant: **The Chamberlain Group LLC**, Oak Brook, IL (US)

(72) Inventors: **Jeremy Abel**, West Dundee, IL (US);
Matthew James Baer, Forest Park, IL (US)

(73) Assignee: **The Chamberlain Group LLC**, Oak Brook, IL (US)

(**) Term: **15 Years**

(21) Appl. No.: **29/719,404**

(22) Filed: **Jan. 3, 2020**

(51) **LOC (13) Cl.** **15-09**

(52) **U.S. Cl.**
USPC **D15/148**; D15/199

(58) **Field of Classification Search**
USPC D13/168, 184, 199; D14/218; D15/148,
D15/199; D10/104.1
CPC E05F 15/43; E05F 15/60; E05F 15/668;
E05F 15/68; G07C 9/00896; H05K
5/0221
See application file for complete search history.

(56) **References Cited**

U.S. PATENT DOCUMENTS

D221,226 S	7/1971	Dercoli	
D221,859 S	9/1971	Dercoli	
4,463,292 A	7/1984	Engelmann	
D292,792 S	11/1987	Henry	
4,750,118 A *	6/1988	Heitschel G05B 19/0425 340/12.5
4,827,667 A	5/1989	Jarvis	
4,905,542 A *	3/1990	Burm E05F 15/668 104/120
D335,875 S	5/1993	Chen	
5,357,183 A	10/1994	Lin	

5,522,638 A *	6/1996	Falcoff B60R 7/04 224/282
5,589,747 A *	12/1996	Utke E05F 15/668 318/266
D377,459 S	1/1997	Dziersk	
D386,163 S	11/1997	Cheng	
D402,300 S	12/1998	Ergun	
D404,746 S	1/1999	Hormann	
5,872,513 A *	2/1999	Fitzgibbon E05F 15/43 340/5.28

(Continued)

Primary Examiner — Patricia A Palasik

(74) *Attorney, Agent, or Firm* — Fitch, Even, Tabin & Flannery LLP

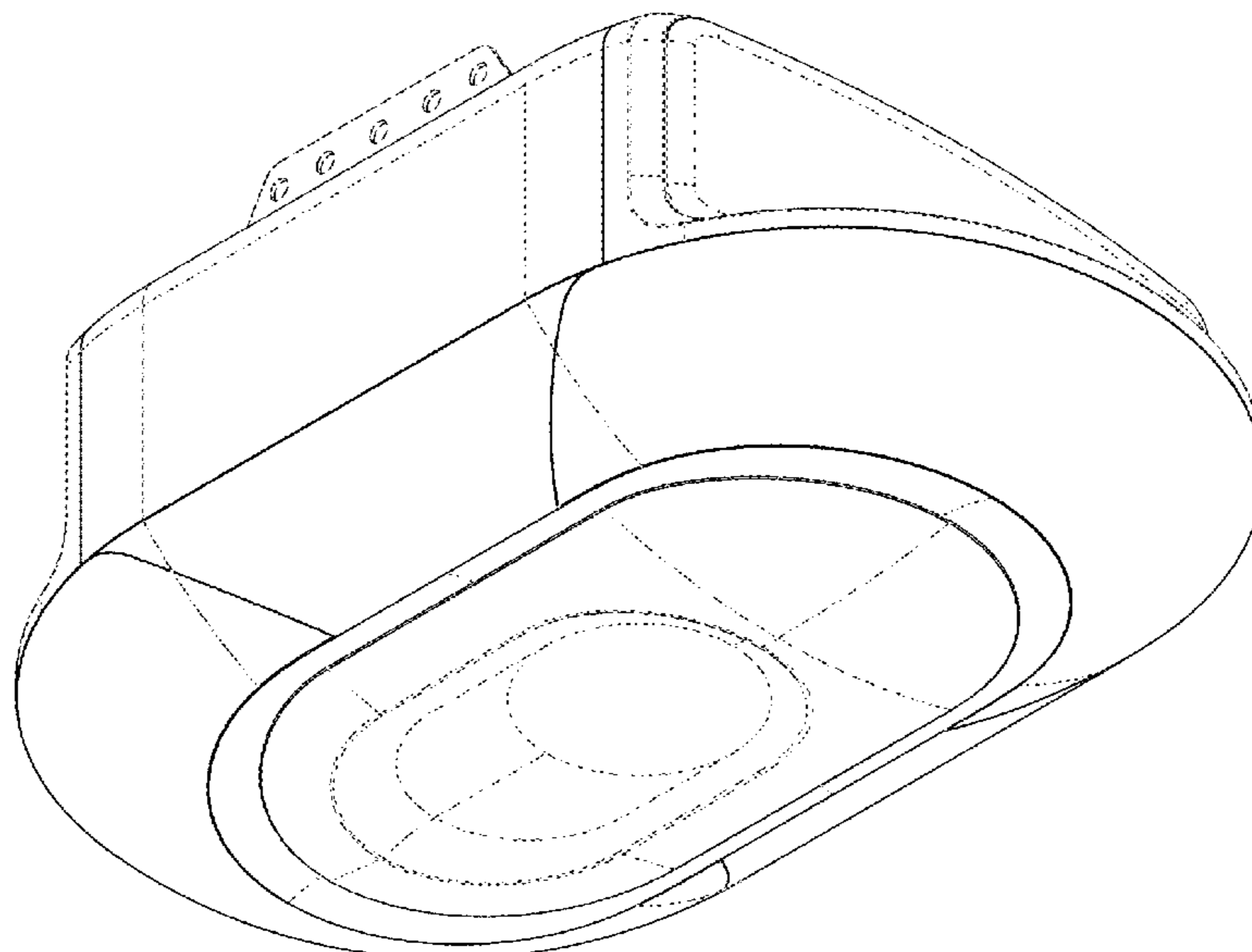
(57) **CLAIM**

We claim the ornamental design for a movable barrier operator device, as shown and described.

DESCRIPTION

FIG. 1 is a first perspective view of a movable barrier operator device in accordance with our new design; FIG. 2 is a bottom plan view of the movable barrier operator device; FIG. 3 is a first end elevation view of the movable barrier operator device; FIG. 4 is a first side elevation view of the movable barrier operator device; FIG. 5 is a second side elevation view of the movable barrier operator device; FIG. 6 is a second end elevation view of the movable barrier operator device; FIG. 7 is a top plan view of the movable barrier operator device; and, FIG. 8 is a second perspective view of the movable barrier operator device. Broken lines in the drawings depict portions of the movable barrier operator device and form no part of the claimed design.

1 Claim, 8 Drawing Sheets



US D945,506 S

(56)

References Cited

U.S. PATENT DOCUMENTS

5,887,929	A *	3/1999	Miller	B60R 11/02 296/37.8	D519,138 S 7,098,411 B1 *	4/2006 8/2006	Guzman McConnell	H01H 13/83 200/310
5,903,226	A	5/1999	Suman		D542,235 S	5/2007	Rashid	
D413,055	S *	8/1999	Mullet	D8/330	7,215,238 B2	5/2007	Buck	
D421,031	S *	2/2000	Mullet	26/52	7,378,760 B2	5/2008	Olmsted	
D432,551	S	10/2000	Luke		D581,437 S	11/2008	Randazzo	
6,126,221	A *	10/2000	Kern	B60R 7/04 296/37.7	D589,906 S	4/2009	Tupinier	
D434,054	S	11/2000	Luke		D667,381 S	9/2012	Rolli	
D434,785	S	12/2000	Luke		8,976,006 B2	3/2015	Krupke	
D436,877	S	1/2001	Brennan		D741,817 S *	10/2015	Paredes	D13/168
6,191,706	B1 *	2/2001	Kositkun	E04H 6/426 340/539.1	D741,818 S	10/2015	Paredes	
D440,043	S	4/2001	Miller		D742,766 S	11/2015	Olivieri	
D450,701	S	11/2001	Koeller		D750,575 S	3/2016	Peterson	
6,374,543	B1	4/2002	Bishai		D778,184 S	2/2017	Kikstra	
6,377,173	B1	4/2002	Desai		D797,584 S	9/2017	Venth	
D463,466	S	9/2002	Hoemann		D844,685 S *	4/2019	Bresson	D15/148
D466,141	S	11/2002	Mullet		D846,612 S *	4/2019	Baer	D15/148
D468,756	S	1/2003	Coullahan		D847,888 S *	5/2019	Baer	D15/148
D469,114	S	1/2003	Coullahan		D848,498 S *	5/2019	Baer	D15/148
D469,115	S	1/2003	Coullahan		D868,861 S	12/2019	Baer	
6,525,645	B2	2/2003	King		D872,150 S *	1/2020	Abel	D15/148
D474,215	S *	5/2003	Mullet	D15/199	2002/0008403	A1 *	1/2002	Ser
6,563,278	B2	5/2003	Roman					E05F 17/004 296/100.08
D477,619	S	7/2003	Coullahan		2002/0164158	A1 *	11/2002	Hoermann
6,595,569	B1	7/2003	McKinney					E05F 15/668 388/835
D478,605	S	8/2003	Guzman		2004/0020612	A1	2/2004	Bosio
D486,506	S *	2/2004	Bian	D15/148	2004/0246721	A1	12/2004	Hoermann
D486,841	S	2/2004	Reedy		2005/0254194	A1	11/2005	Olmsted
D488,138	S	4/2004	Parsadayan		2006/0265956	A1	11/2006	Angiuli
D490,829	S	6/2004	Coullahan		2007/0013477	A1	1/2007	Fitzgibbon
D491,208	S	6/2004	Coullahan		2007/0046231	A1	3/2007	Mullet
D492,333	S	6/2004	Guzman		2007/0188120	A1	8/2007	Mullet
D493,149	S	7/2004	Patton		2007/0294961	A1	12/2007	Reed
D493,477	S	7/2004	Reedy		2010/0242369	A1	9/2010	Laird
D495,665	S	9/2004	Stekelenburg		2013/0027181	A1	1/2013	King
D497,880	S	11/2004	Apotheloz		2013/0038183	A1	2/2013	Chen
D500,066	S	12/2004	Coullahan		2014/0320263	A1	10/2014	Fan
D500,747	S	1/2005	Gavel		2014/0368322	A1	12/2014	Mullet
D501,643	S	2/2005	Strand		2015/0013229	A1 *	1/2015	Shalom
D506,485	S	6/2005	Guzman					E05F 15/668 49/199
D509,481	S	9/2005	Murtaugh		2015/0275564	A1	10/2015	Rosenthal
D513,022	S	12/2005	Moe		2016/0037664	A1 *	2/2016	Hendricks
D514,461	S	2/2006	Harju					H05K 5/0204 361/814
					2017/0294113	A1 *	10/2017	McNabb
					2017/0295658	A1	10/2017	Whitmire
					2018/0112454	A1 *	4/2018	Preus
								E05F 15/77

* cited by examiner

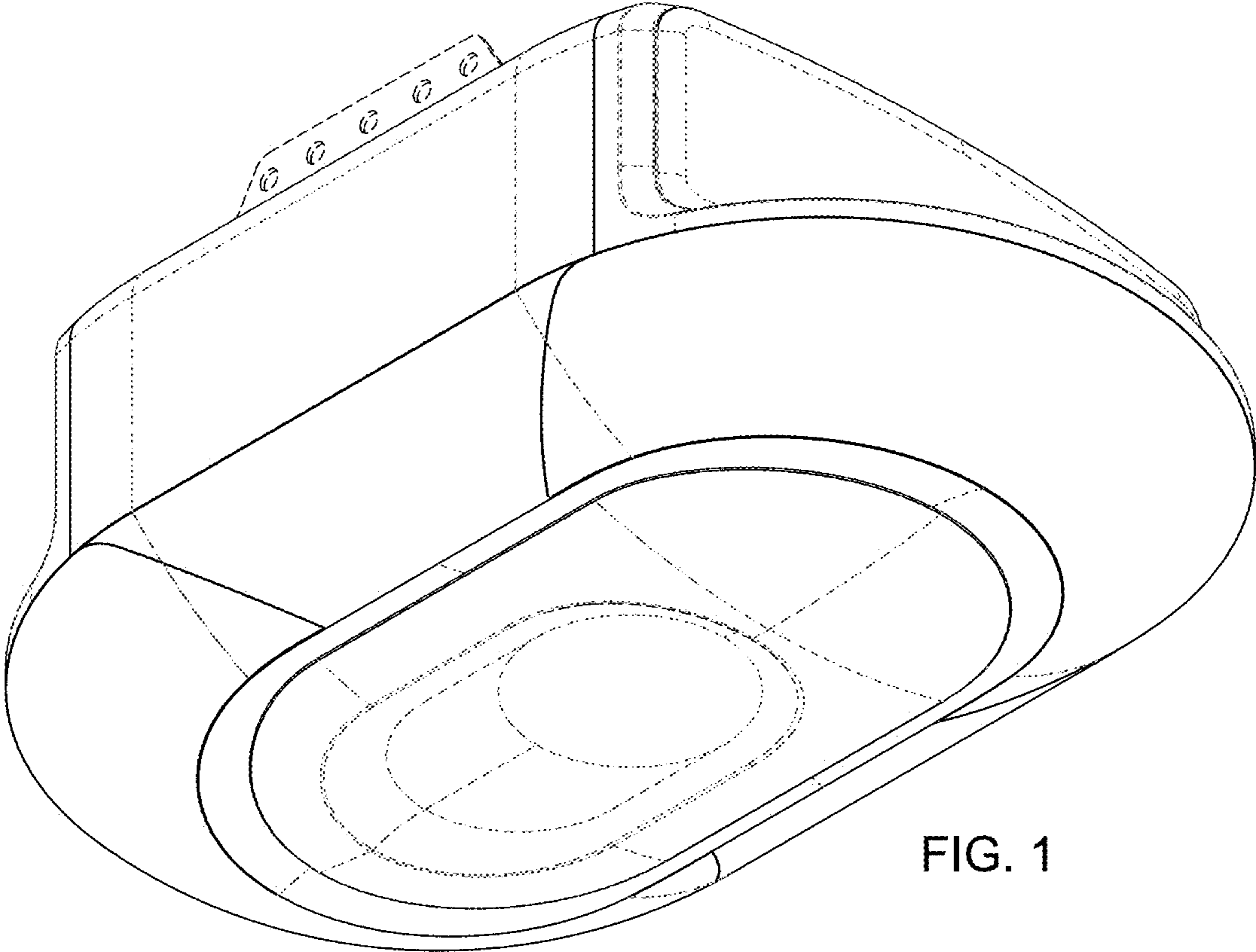


FIG. 1

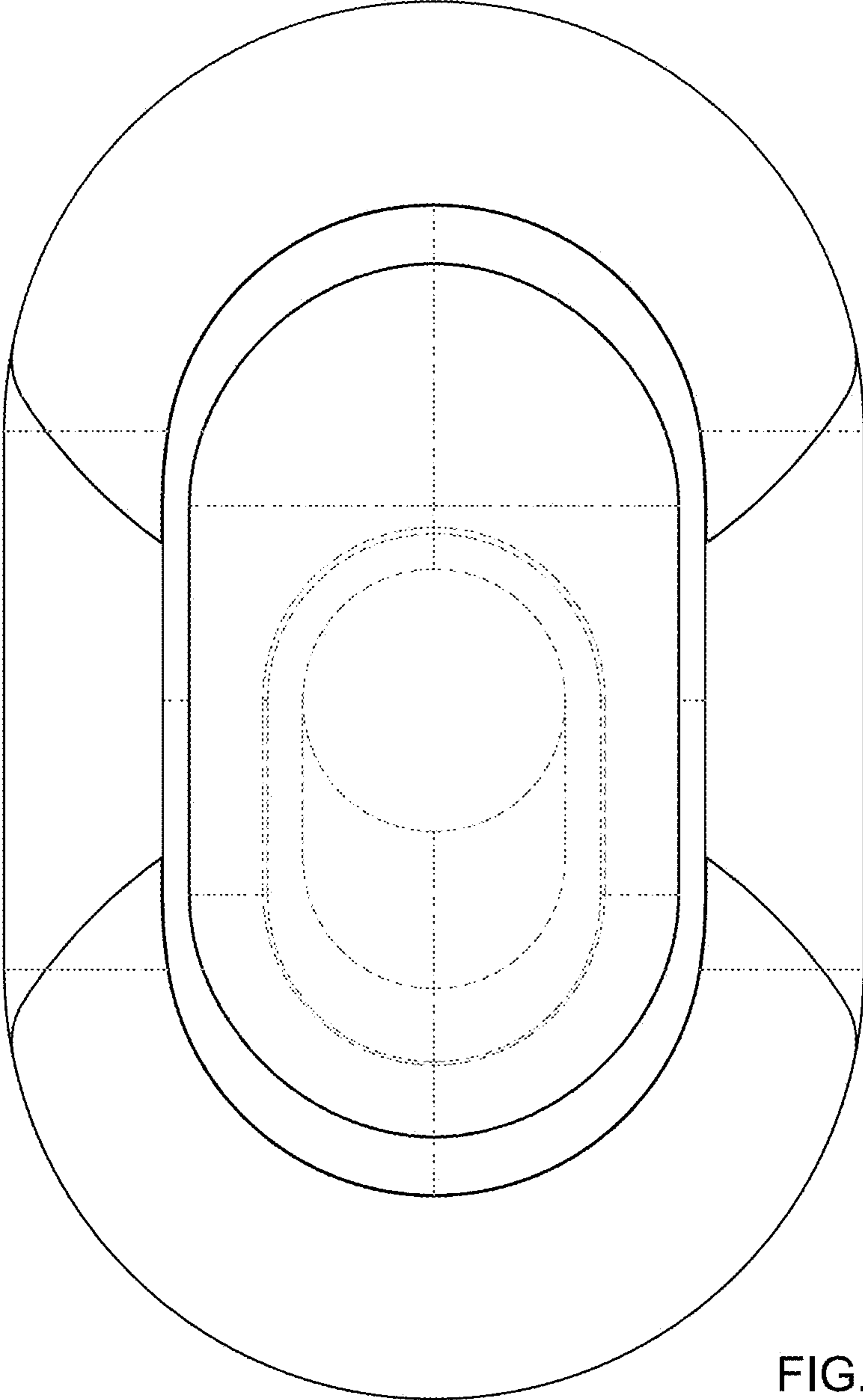


FIG. 2

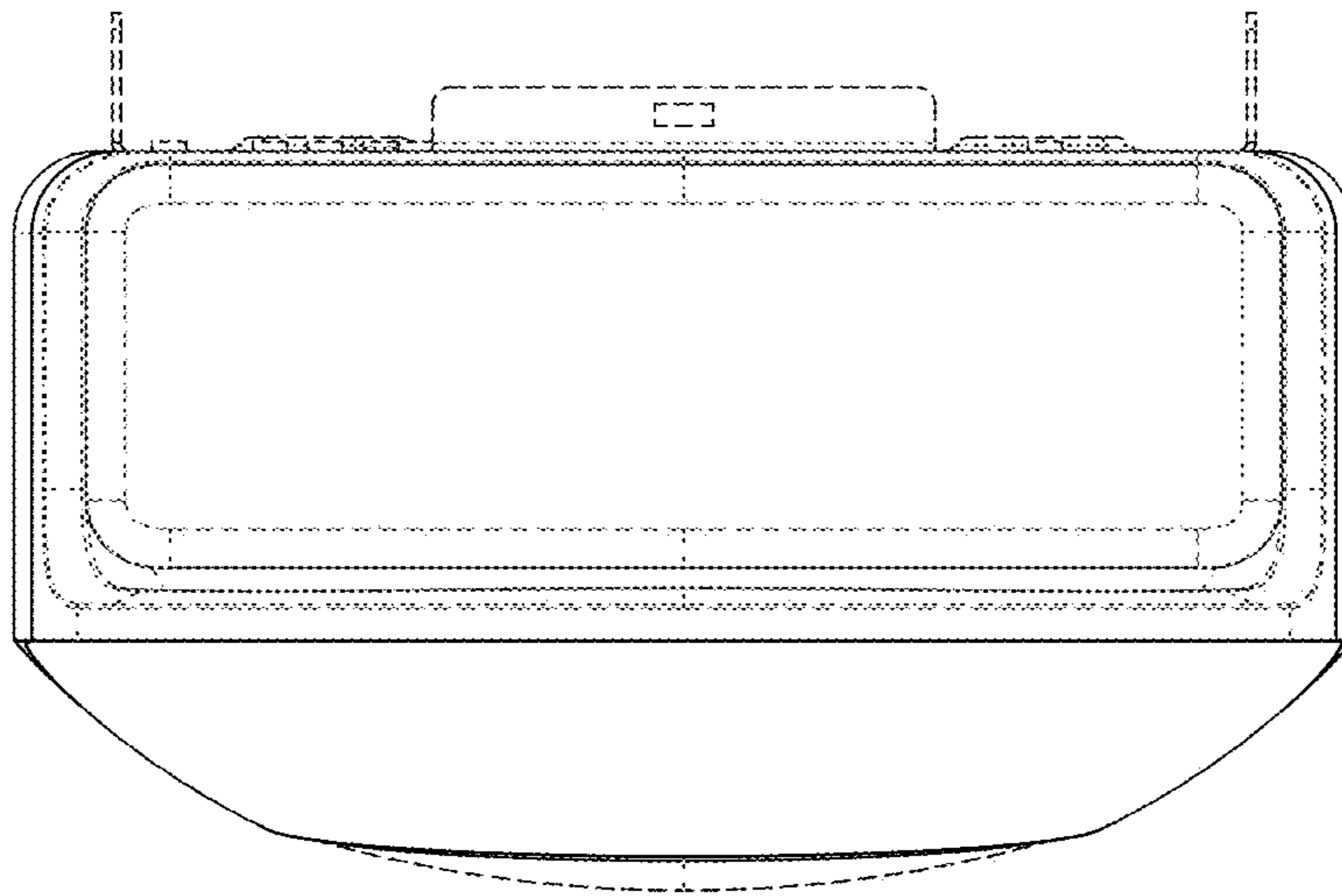


FIG. 3

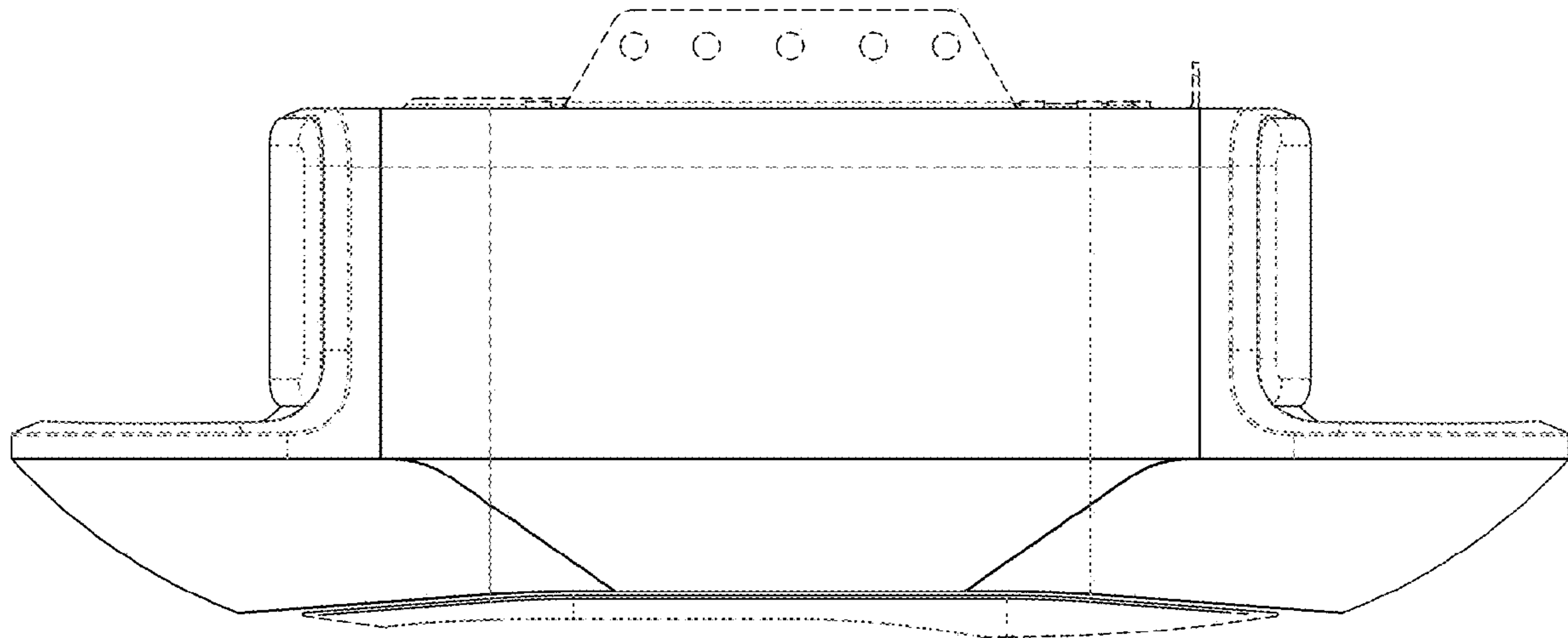


FIG. 4

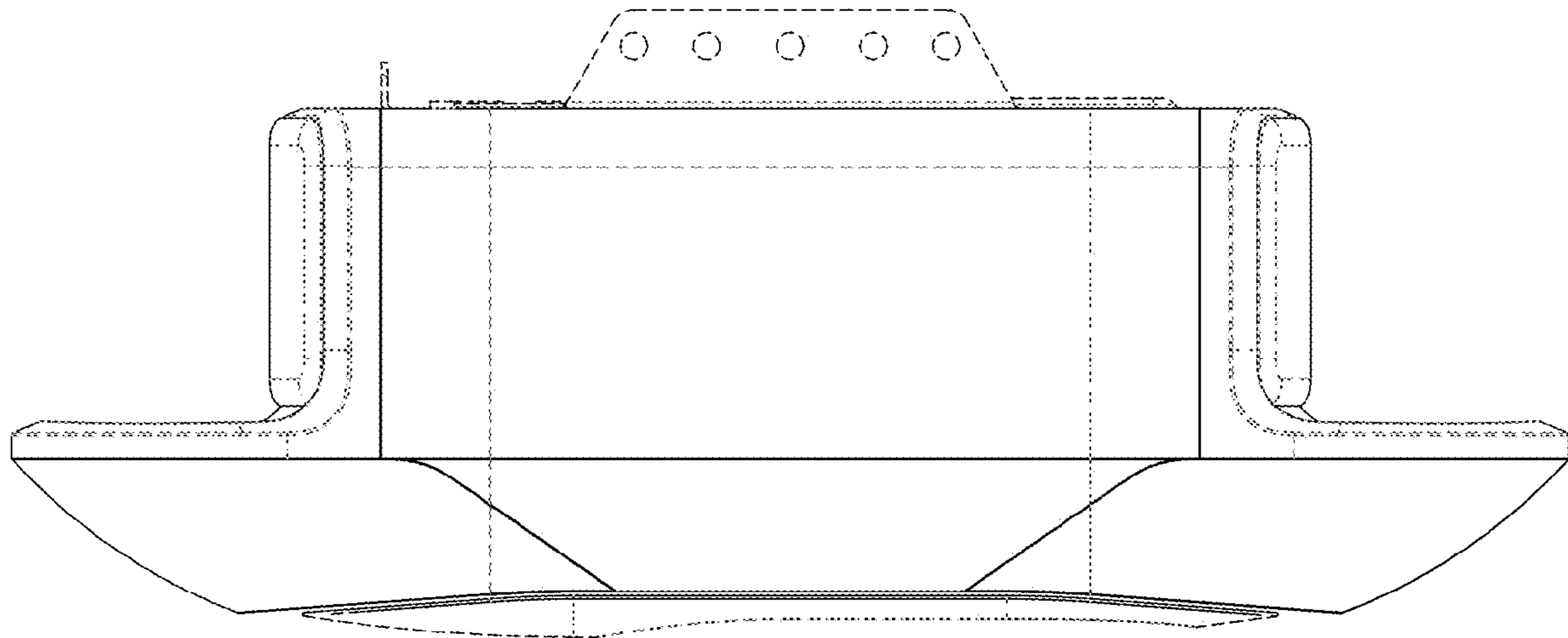


FIG. 5

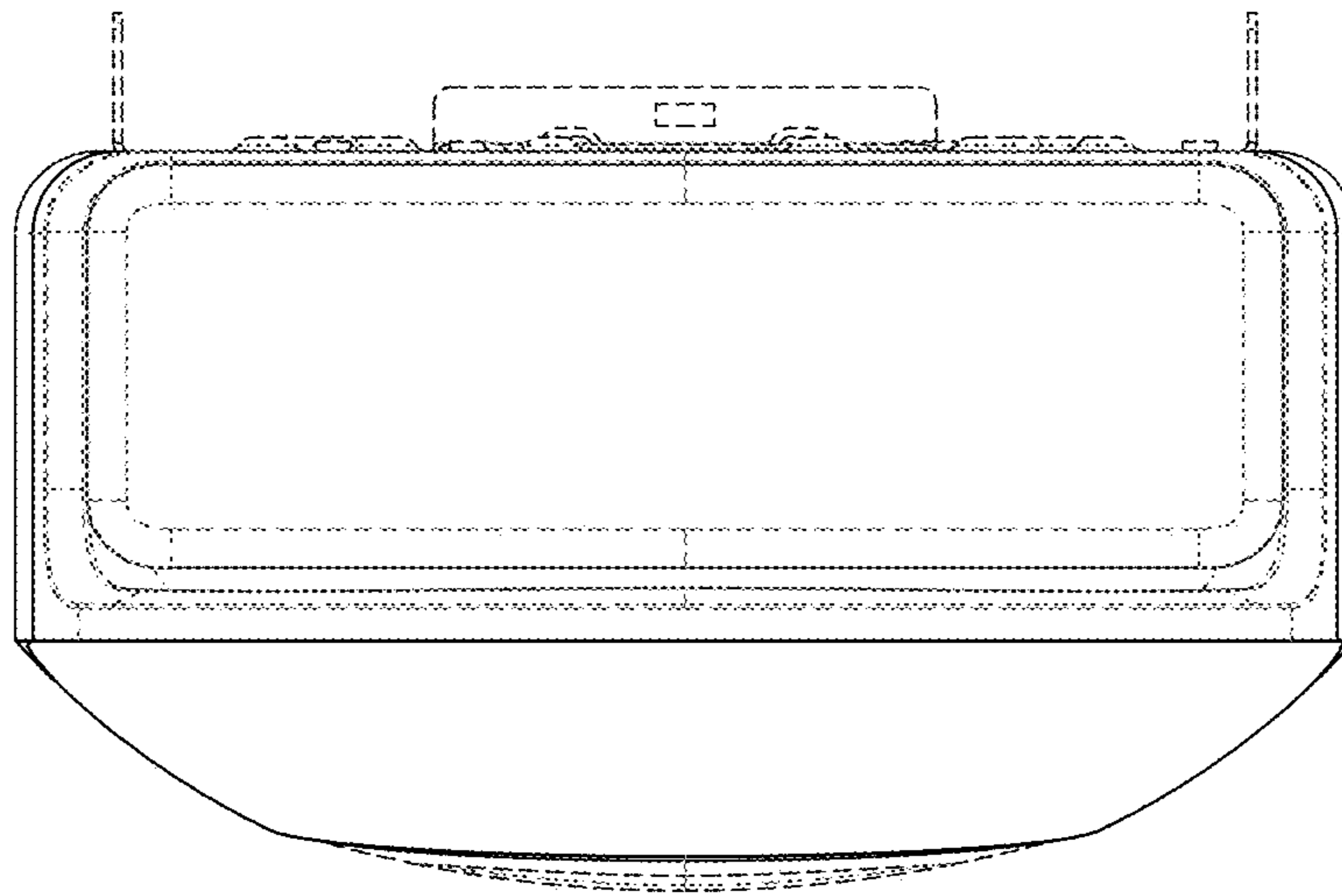


FIG. 6

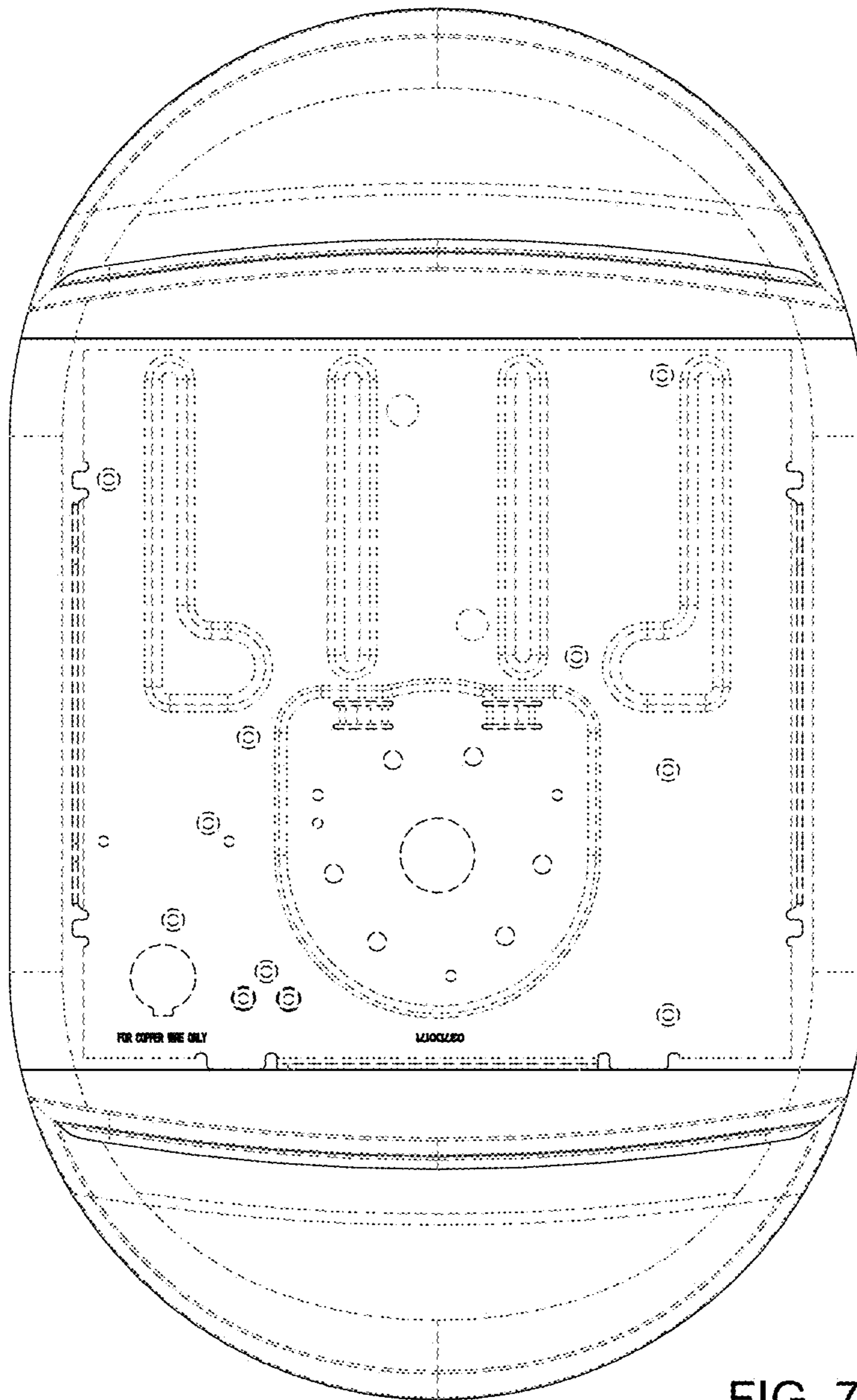


FIG. 7

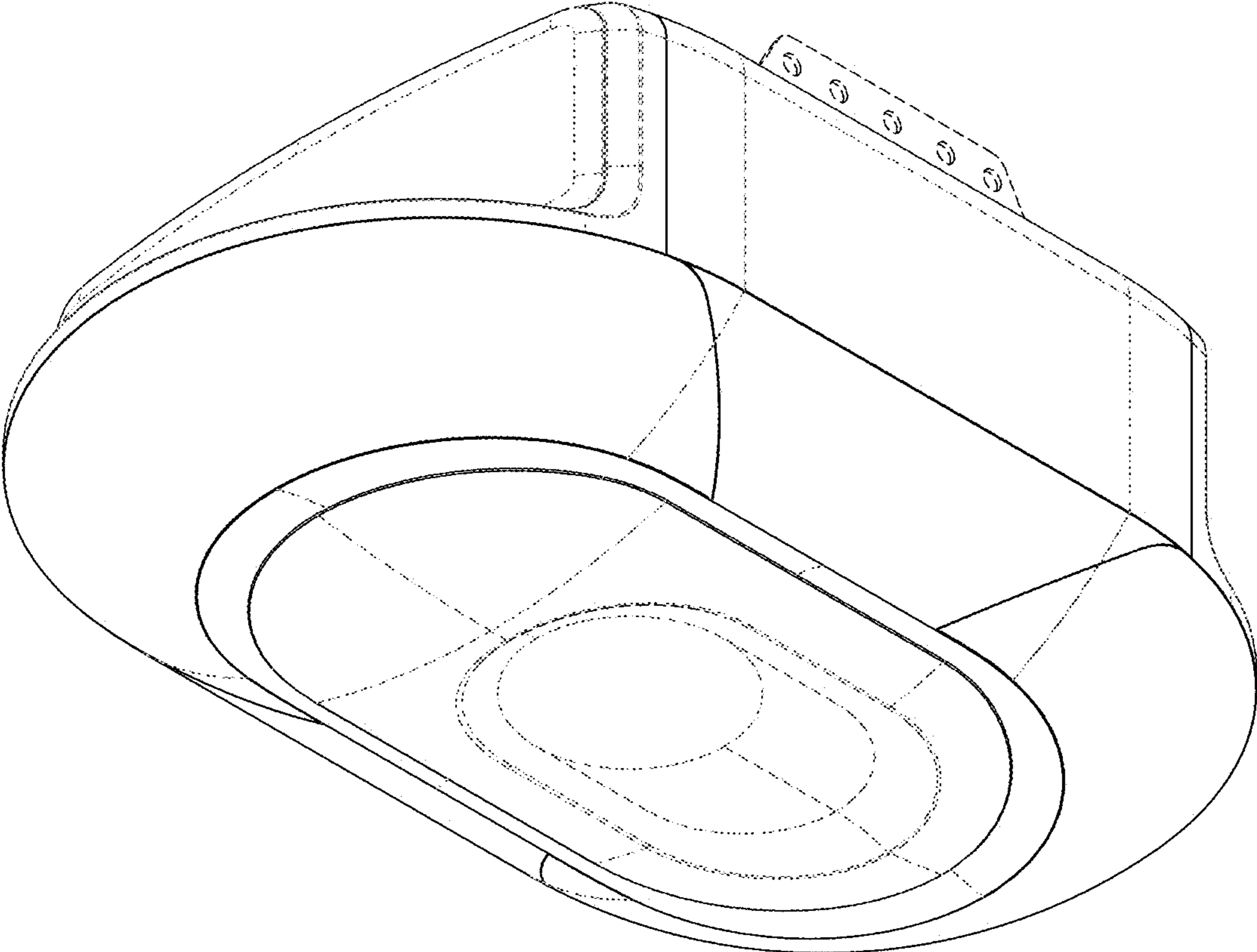


FIG. 8