



US00D945505S

(12) **United States Design Patent** (10) **Patent No.:** **US D945,505 S**
Disselkoen et al. (45) **Date of Patent:** **** Mar. 8, 2022**

(54) **CUTTER**
(71) Applicant: **Vermeer Manufacturing Company**,
Pella, IA (US)
(72) Inventors: **Matthew Ryan Disselkoen**, Pella, IA
(US); **Claudio Carrafiello Verzilli**,
Pella, IA (US); **Joshua Dean**
Nossaman, Pella, IA (US)

4,231,173 A 11/1980 Davis
4,454,901 A 6/1984 Thorsness
4,667,713 A 5/1987 Wright
4,709,737 A 12/1987 Jonsson
4,744,278 A 5/1988 Wright
4,750,396 A 6/1988 Gaddis et al.
4,932,447 A * 6/1990 Morin A01G 23/091
144/218
5,042,733 A 8/1991 Hench
(Continued)

(73) Assignee: **Vermeer Manufacturing Company**,
Pella, IA (US)
(**) Term: **15 Years**

FOREIGN PATENT DOCUMENTS

CA 2842972 A1 5/2013
EP 1693110 8/2006
(Continued)

(21) Appl. No.: **29/701,023**

OTHER PUBLICATIONS

(22) Filed: **Aug. 7, 2019**
(51) **LOC (13) Cl.** **15-09**
(52) **U.S. Cl.**
USPC **D15/139**

Bandit Industries, Inc., "The Beast Horizontal Grinders," parts
catalog (2013) pp. 1-20.
(Continued)

(58) **Field of Classification Search**
USPC D15/139, 133, 138, 77, 140
CPC B23C 2200/085; B23C 2200/125; B23C
2210/168; B23C 5/2221; E21C 35/1837;
Y10T 407/1924; Y10T 407/235; Y10T
83/9319; A01G 23/00; A01G 23/093;
B02C 18/18; B02C 18/145; B02C 18/184;
B02C 13/06; E21B 3/00; E02F 5/08;
E02F 3/22; E02F 3/241; B27B 33/02;
B27B 33/144; B27B 27/02; B27B 27/06;
B27B 31/006

Primary Examiner — Nathaniel D. Buckner
(74) *Attorney, Agent, or Firm* — Michael Best &
Friedrich LLP

See application file for complete search history.

(57) **CLAIM**
We claim the ornamental design for a cutter, as shown and
described.

(56) **References Cited**

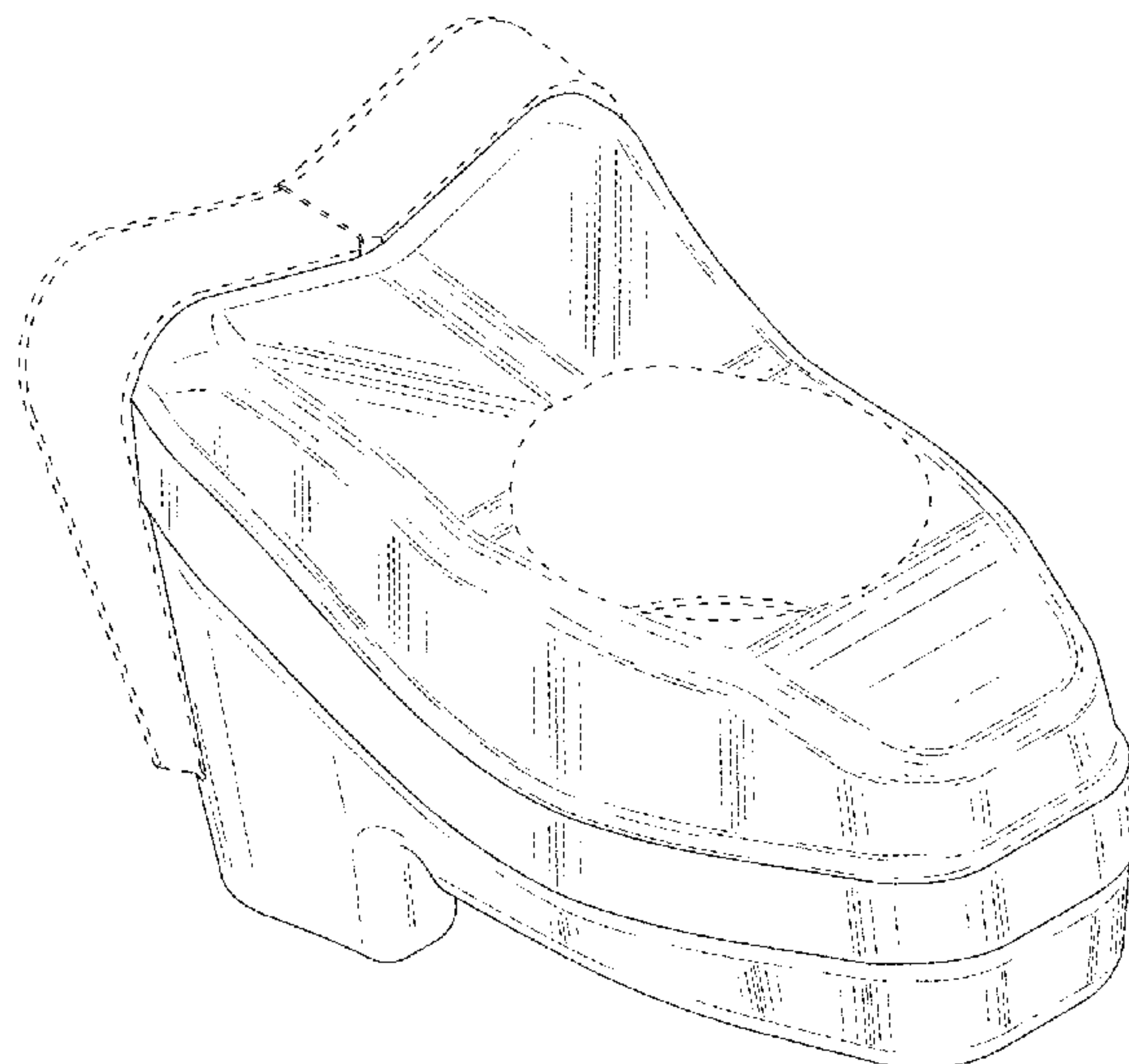
DESCRIPTION

U.S. PATENT DOCUMENTS

3,463,521 A 8/1969 Helton
3,570,566 A 3/1971 McCreery
3,831,484 A 8/1974 Gibb
3,844,619 A 10/1974 Haller
3,935,887 A 2/1976 Van Zante et al.
4,222,298 A 9/1980 James

FIG. 1 is a rear perspective view of a cutter.
FIG. 2 is a rear view of the cutter of FIG. 1.
FIG. 3 is a front view of the cutter of FIG. 1.
FIG. 4 is a right side view of the cutter of FIG. 1.
FIG. 5 is a left side view of the cutter of FIG. 1.
FIG. 6 is a top view of the cutter of FIG. 1; and,
FIG. 7 is a bottom view of the cutter of FIG. 1.
The portions of the cutter shown in broken lines form no part
of the claimed design.

1 Claim, 4 Drawing Sheets



(56)

References Cited

U.S. PATENT DOCUMENTS

5,100,070 A 3/1992 Montgomery, Sr.
 5,103,882 A 4/1992 Milbourn
 5,183,089 A 2/1993 Norlander et al.
 5,211,212 A 5/1993 Carlson
 5,348,065 A 9/1994 Meyer
 5,365,986 A 11/1994 Hooser
 5,423,138 A 6/1995 Livesay et al.
 5,451,128 A 9/1995 Hattersley
 5,477,754 A 12/1995 Herbon
 5,484,111 A 1/1996 Dorscht et al.
 5,497,815 A 3/1996 Bowling
 5,906,231 A 5/1999 Rautio
 5,950,942 A 9/1999 Brand et al.
 6,014,996 A 1/2000 Egging et al.
 6,024,143 A 2/2000 Ritchey
 6,026,781 A 2/2000 Imatake et al.
 6,026,871 A 2/2000 Chapman
 6,045,072 A 4/2000 Zehr
 6,131,838 A 10/2000 Balvanz et al.
 6,230,770 B1 5/2001 Spaargaren
 D447,757 S 9/2001 Rautio
 D448,780 S 10/2001 Rautio
 6,364,227 B1 4/2002 Dorscht
 6,382,277 B1 5/2002 Paumier et al.
 6,394,378 B1 5/2002 Ragnarsson
 6,422,495 B1 7/2002 De Boef et al.
 6,464,157 B1 10/2002 Balvanz et al.
 6,520,440 B2 2/2003 Ragnarsson
 6,536,322 B1 3/2003 Butler
 6,546,977 B1 4/2003 Monyak et al.
 6,550,504 B1 4/2003 Leonardi et al.
 D479,368 S * 9/2003 Jones 347/88
 D481,045 S 10/2003 Ahn
 6,708,743 B2 3/2004 Ziehm
 6,751,553 B2 6/2004 Young et al.
 6,843,435 B2 1/2005 Verhoef et al.
 6,877,535 B1 4/2005 Bennington
 7,011,124 B1 3/2006 Morey
 7,104,294 B2 9/2006 Kopocs et al.
 7,108,452 B2 9/2006 Caron
 7,111,542 B2 9/2006 Taillon
 7,131,606 B2 11/2006 Rogers
 D533,900 S * 12/2006 Jones D18/56
 7,143,796 B2 12/2006 Arasmith
 D537,874 S 3/2007 Korn et al.
 7,213,623 B2 5/2007 Shinn
 7,293,729 B2 11/2007 Ragnarsson
 D567,832 S 4/2008 Edwards
 7,367,367 B2 5/2008 Bennington
 7,380,576 B2 6/2008 Pizzuto
 7,578,462 B2 8/2009 Edwards
 7,584,921 B1 9/2009 Bennington et al.
 7,694,704 B2 4/2010 Gossett
 7,743,803 B2 6/2010 Paumier
 7,815,136 B2 10/2010 Arnston
 D633,356 S 3/2011 Dircksen
 7,918,252 B2 4/2011 Gossett
 7,938,350 B2 5/2011 Doppstadt et al.
 D647,117 S * 10/2011 Omi D15/139
 8,033,490 B1 10/2011 Young et al.
 D647,928 S * 11/2011 MacLennan D15/139
 8,066,213 B2 11/2011 Marquardsen
 8,113,453 B2 2/2012 Bardos
 8,231,072 B2 7/2012 Willibald
 8,408,258 B2 4/2013 Leonardi et al.
 8,540,033 B2 9/2013 Stanley et al.
 8,584,717 B2 11/2013 Leonardi et al.
 8,672,001 B2 3/2014 Leonardi et al.
 D736,841 S * 8/2015 Jung D15/139
 9,137,954 B2 9/2015 Leonardi et al.
 D757,124 S 5/2016 Stanley et al.
 D772,314 S 11/2016 Williams et al.
 D772,951 S 11/2016 Stanley et al.
 D778,330 S * 2/2017 Fang D15/139
 9,578,816 B2 2/2017 Green et al.

D781,354 S * 3/2017 Kunz D15/29
 9,686,922 B2 6/2017 Cairns
 D796,291 S 9/2017 Sewell et al.
 D796,292 S 9/2017 Sewell et al.
 D807,935 S 1/2018 Dudzinsky
 9,894,848 B2 2/2018 Weinberg et al.
 10,051,798 B2 8/2018 Leonardi et al.
 D838,300 S * 1/2019 Hecht D15/139
 D843,802 S 3/2019 Torres Delgado et al.
 D845,360 S 4/2019 Kobayashi et al.
 D852,245 S 6/2019 Kobayashi et al.
 D863,385 S * 10/2019 Saeki D15/139
 D880,547 S 4/2020 Weinberg
 D881,949 S 4/2020 Stanley et al.
 D884,039 S 5/2020 Endoh et al.
 D884,040 S 5/2020 Endoh et al.
 D884,041 S 5/2020 Endoh et al.
 10,646,880 B2 5/2020 Gaudreault
 10,737,275 B2 8/2020 Johnson et al.
 D909,436 S * 2/2021 Curry, Jr. D15/138
 D910,092 S * 2/2021 Curry, Jr. D15/138
 D925,614 S * 7/2021 McCaffrey D15/29
 11,071,258 B2 7/2021 Leonardi et al.
 2004/0016153 A1 1/2004 Pippins
 2005/0001084 A1 1/2005 Pizzuto
 2006/0102247 A1 5/2006 Green
 2007/0181725 A1 8/2007 Edwards
 2007/0193428 A1 8/2007 MacLennan et al.
 2008/0105334 A1 5/2008 Leonardi et al.
 2008/0149224 A1 * 6/2008 Kappel A01G 23/067
 144/241
 2008/0245440 A1 10/2008 Paumier
 2010/0170379 A1 7/2010 MacLennan et al.
 2010/0180735 A1 7/2010 MacLennan
 2012/0032013 A1 2/2012 Rice et al.
 2013/0161428 A1 6/2013 Hongo
 2014/0196818 A1 7/2014 Weinberg et al.
 2014/0196819 A1 7/2014 Leonardi et al.
 2014/0217220 A1 8/2014 Weinberg
 2015/0069160 A1 3/2015 Roozeboom et al.
 2015/0078843 A1 3/2015 Diego
 2015/0136276 A1 5/2015 Green et al.
 2015/0375233 A1 12/2015 Daining et al.
 2017/0079219 A1 3/2017 Stanley et al.
 2017/0087558 A1 3/2017 Davis
 2017/0259271 A1 9/2017 Noel
 2018/0125017 A1 5/2018 Leonardi et al.
 2018/0317405 A1 11/2018 Leonardi et al.
 2018/0352757 A1 12/2018 Leonardi et al.
 2019/0126283 A1 5/2019 Weinberg et al.
 2019/0240671 A1 8/2019 Daining et al.
 2020/0015434 A1 1/2020 Carson, Jr. et al.
 2020/0197947 A1 6/2020 Verzilli et al.
 2020/0222999 A1 7/2020 Curry, Jr.

FOREIGN PATENT DOCUMENTS

EP 1214979 1/2008
 EP 2659768 11/2013
 EP 2777385 5/2016
 EP 3090824 A1 11/2016
 EP 1833647 B1 7/2017
 WO WO-2014110253 7/2014
 WO 2018222436 A1 6/2018

OTHER PUBLICATIONS

Leonardi, "Leonardi M1 Silver Cutting System," YouTube (2010) 1 page.
 Leonardi, "Leonardi M1 Gold Cutting System," YouTube (2010) 1 page.
 Leonardi, "Leonardi M1 Technique Video," YouTube (2017) 1 page.
 Leonardi, "M1 Wheels and Teeth," brochure (2019) 3 pages.
 Quadco, "Mower & Grinder Teeth Pocket Guide" brochure/grinder application chart (2017) www.quadco.com, 2 pages.
 Quadco, "Saw Tooth & Disc Pocket Guide" brochure/parts list (2017) www.quadco.com, 2 pages.

(56)

References Cited

OTHER PUBLICATIONS

Vermeer, "Genuine Vermeer Grinder Tips," applications guide (2016) 4 pages.

Leonardi, "Phantom Wheel Stump Grinder", <<https://www.leonarditreecare.com/products/phantom-wheel>>, website publicly available as early as Sep. 9, 2020 (5 pages).

PowerTrac, "Other Attachments", <<https://www.power-trac.com/otherattachments.htm>>, website publicly available as early as Sep. 2, 2017 (12 pages).

Rayco Manufacturing Inc, Image of "RG1635D", 2003.

Bandit Industries Inc., Image of "Model 2890 Stump Grinder", 2011.

Bucktooth Grinding Co. LLC, "About Us", <<http://www.bucktoothgrinding.com/about.html>>, webpage publicly available at least as early as Apr. 28, 2013.

Vermeer, "SC802 Stump Cutter" Informational Brochure, 2015, 2 pages.

Greenteeth Manufacturing, "Reverse-S™ Cutting System", <<https://www.greenteeth.com/reverse-cutting>>, webpage publicly available at least as early as Sep. 13, 2018.

ArbLease, "Bandit 2550XP Tracked", <<https://www.arblease.co.uk/machinery/bandit-2550xp-tracked/>>, webpage publicly available at least as early as Sep. 13, 2018.

Leonardi, "Phantom Wheel", YouTube, <<https://www.youtube.com/watch?v=BPI9nxrioy0>>, May 17, 2010.

Leonardi, "M1 Blueshark Wheels and Teeth", <<https://www.leonarditreecare.com/collections/m1-blueshark-wheels-and-teeth>>, Apr. 12, 2012.

Greenteeth Manufacturing, "700 Series", <<https://www.ceisupply.com/greenteeth-700-series-2>>, webpage publicly available at least as early as Mar. 30, 2017.

Greenteeth Manufacturing, "Greenwheel & Quadwheel", <<https://www.greenteeth.com/greenwheel>>, webpage publicly available at least as early as Sep. 13, 2018.

Alpine Magnum, "Multi Tip Replacement Teeth", <<https://www.alpinemagnum.com/multi-tip.htm>>, webpage publicly available at least as early as Feb. 8, 2005.

King Arthur's Tools, "Lancelot Squire About", <<https://katools.com/lancelot-squire-combo-kits/>>, webpage publicly available at least as early as Jun. 12, 2016.

Northern ArbSupplies, "Rotatech Praxis Quadblade Teeth Set", <<https://www.northernarbsupplies.co.uk/stump-grinder-teeth/3478-rotatech-praxis-quadblade-teeth-set-7111604712879.html>>, webpage publicly available at least as early as Sep. 13, 2018.

United States Patent Office Non final Rejection for U.S. Appl. No. 16/270,025 dated Jun. 23, 2020 (8 pages).

* cited by examiner

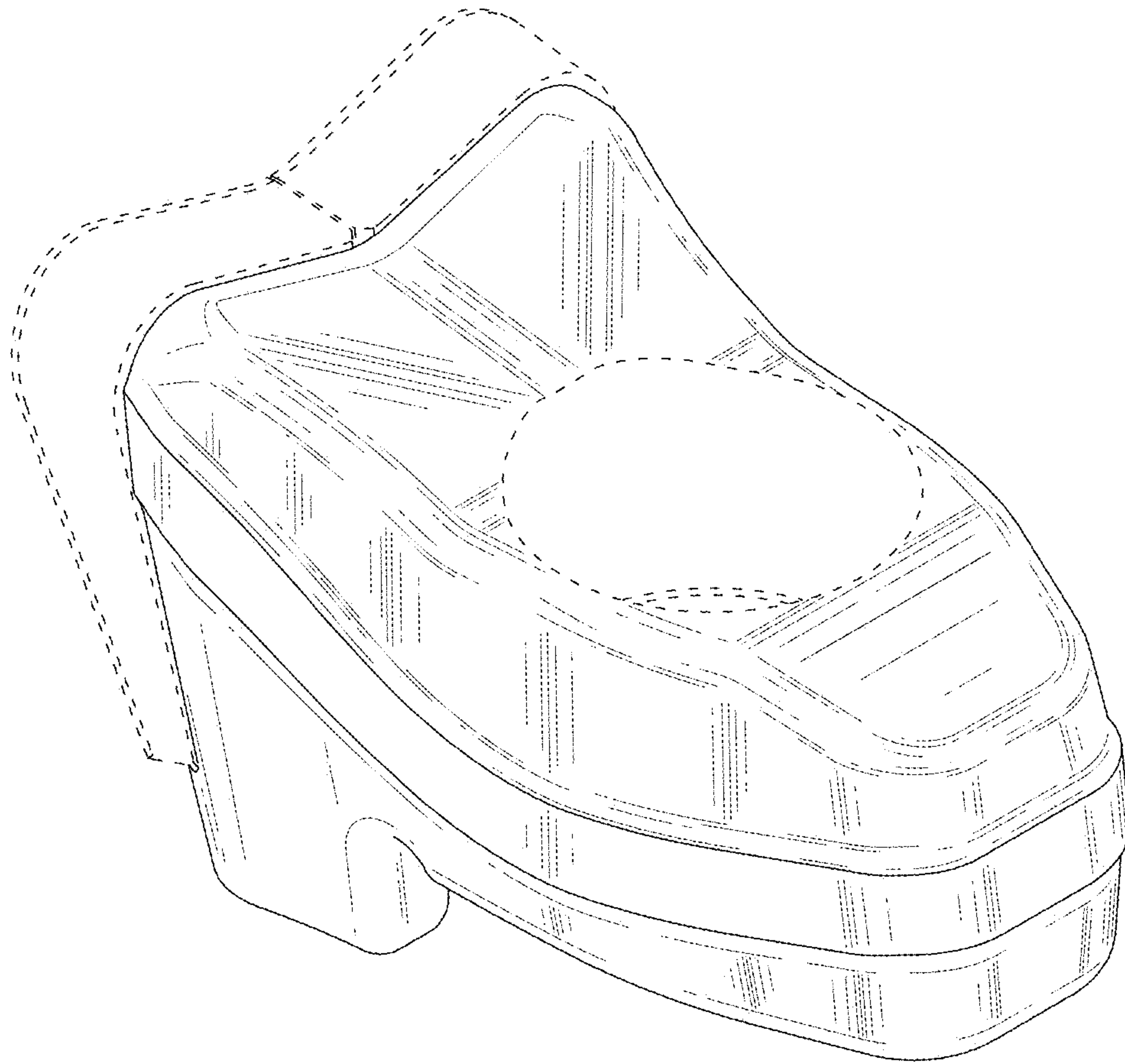


FIG. 1

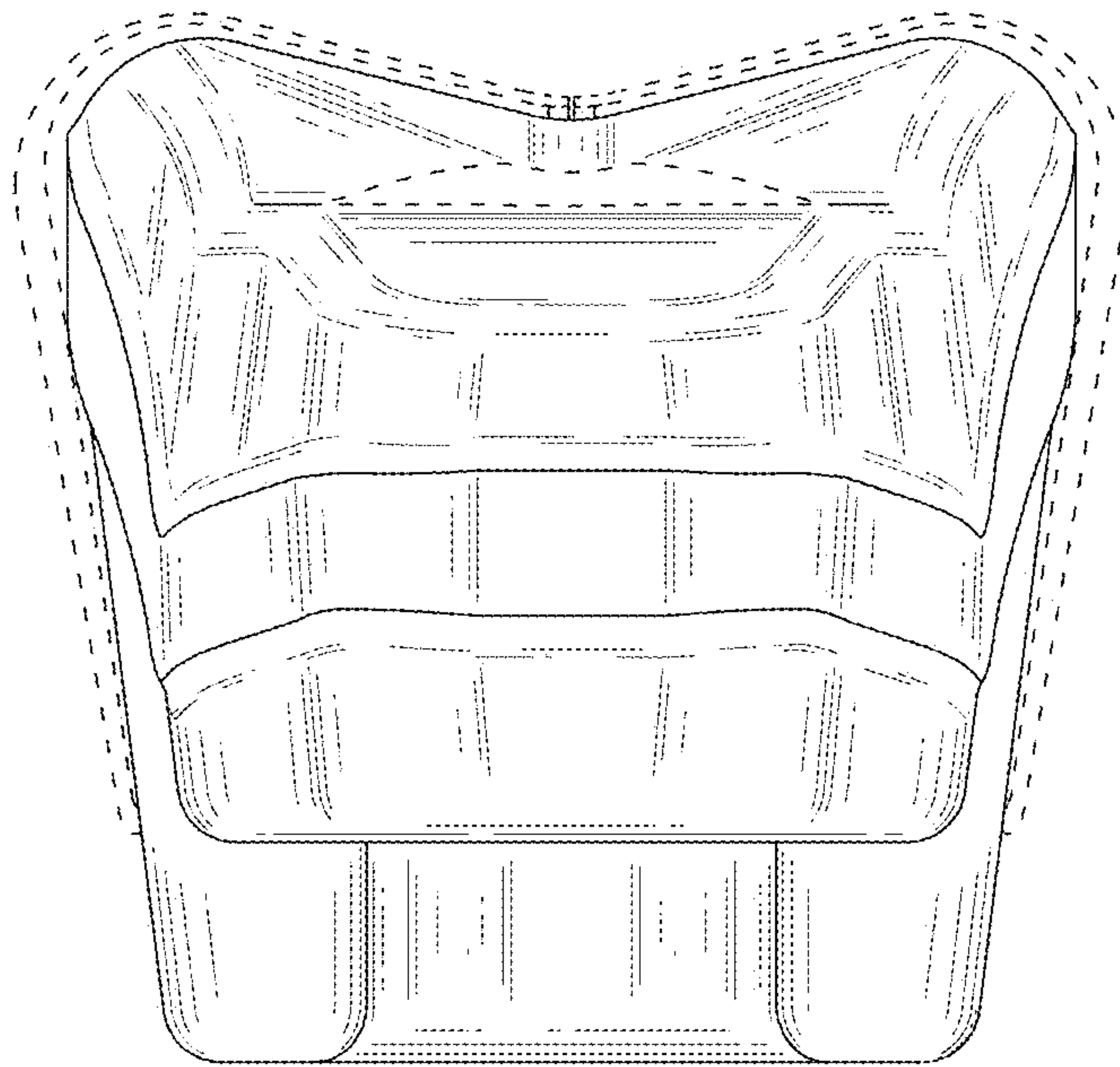


FIG. 2

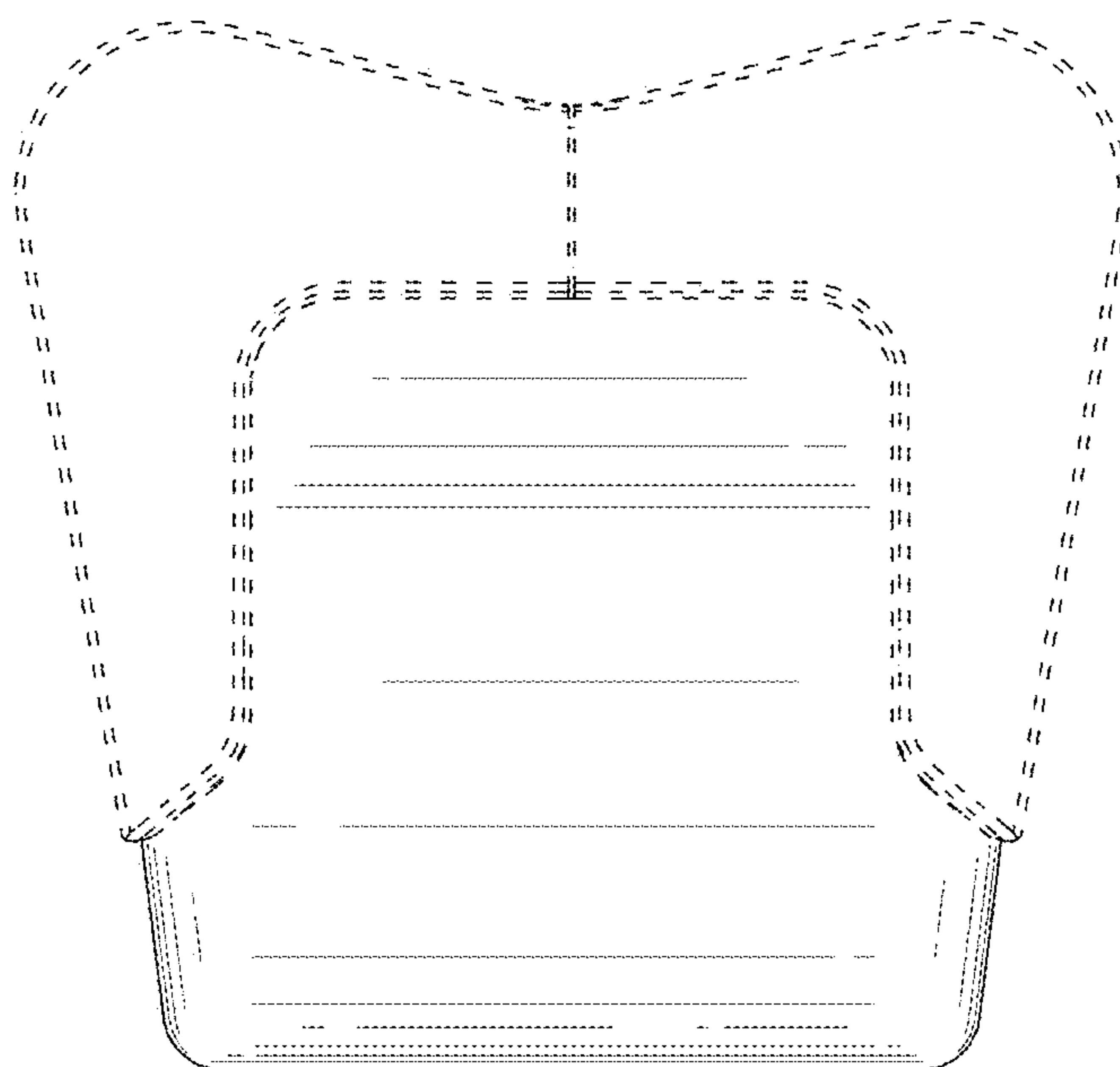


FIG. 3

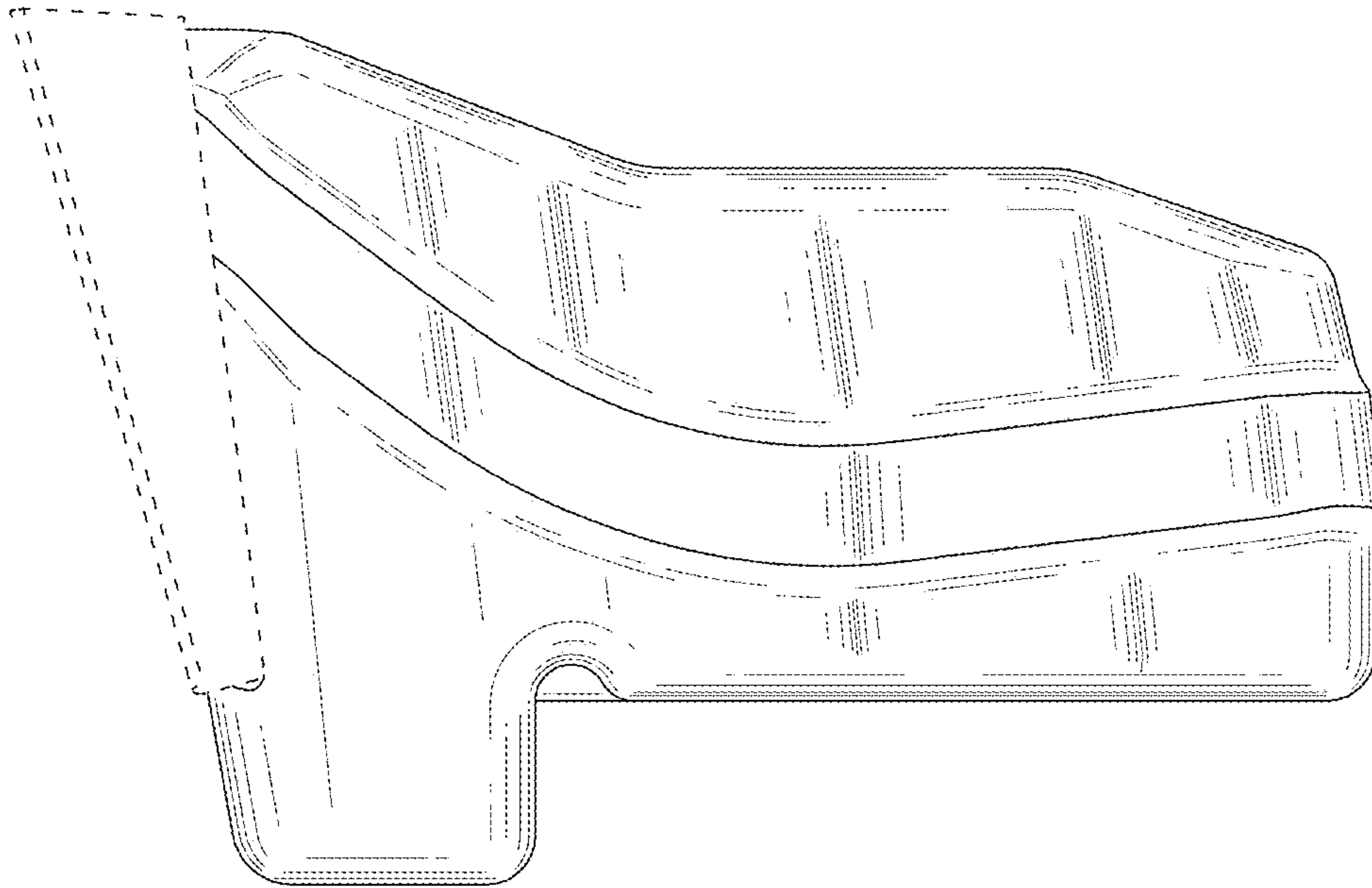


FIG. 4

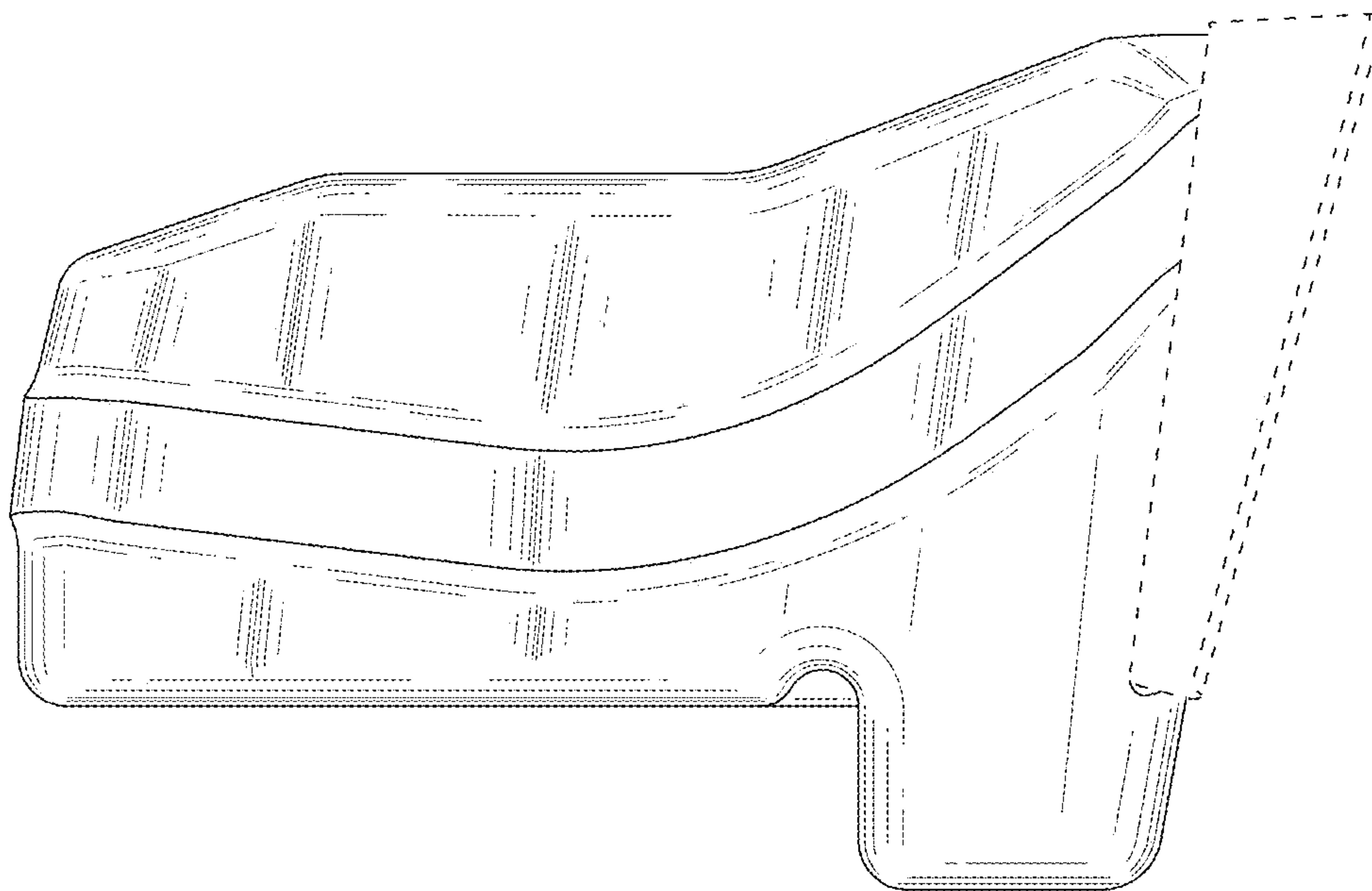


FIG. 5

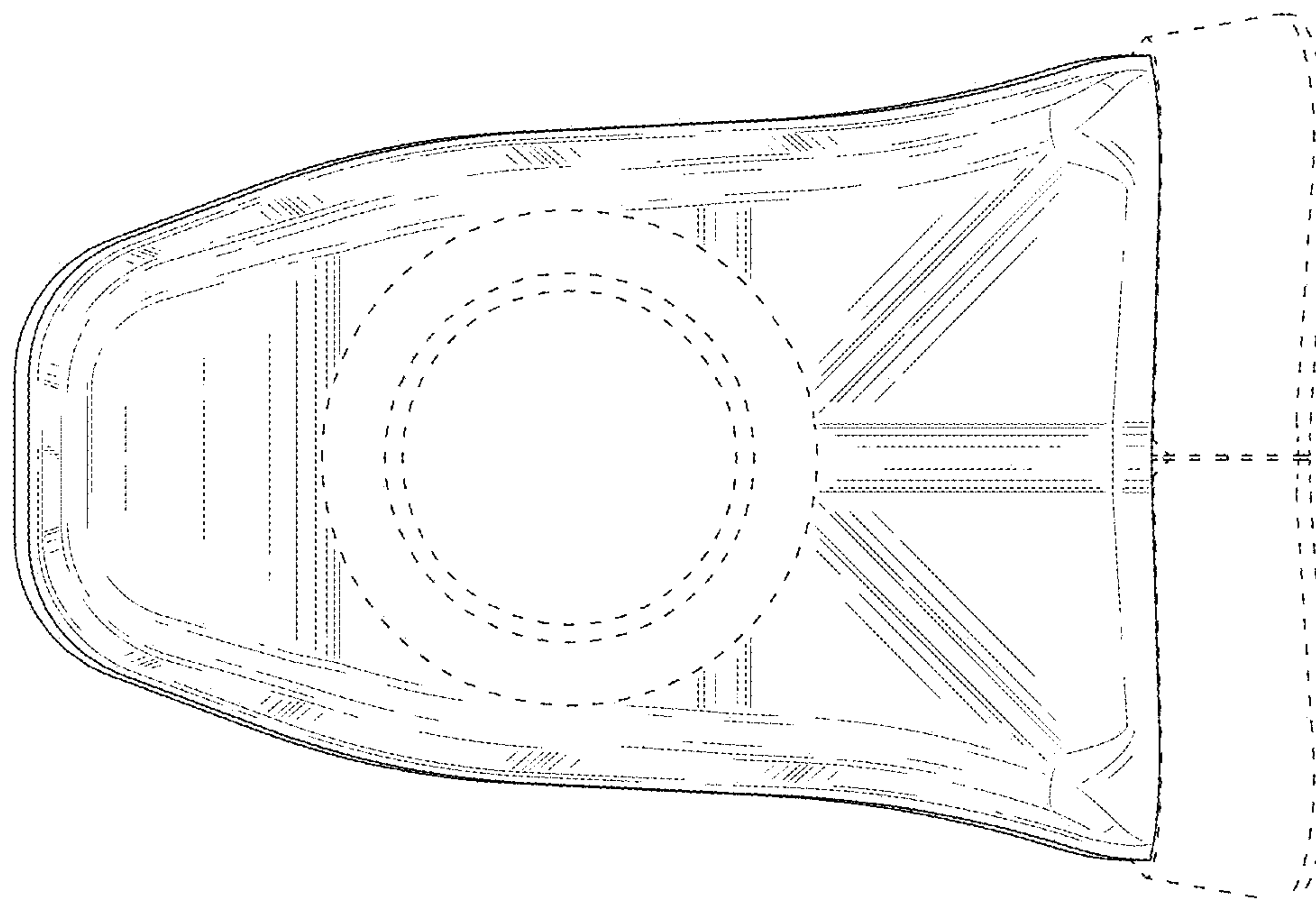


FIG. 6

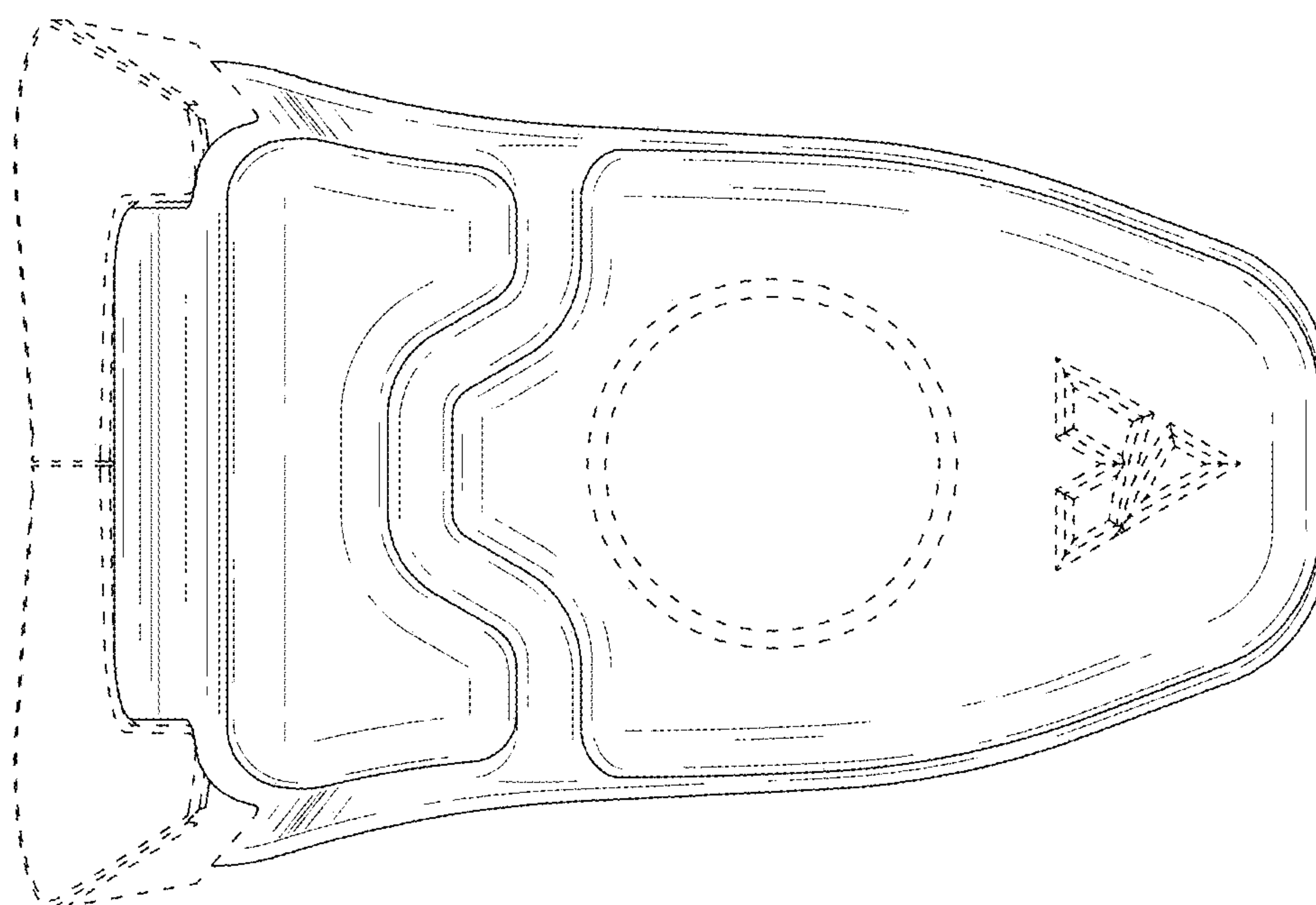


FIG. 7