



US00D945503S

(12) **United States Design Patent** (10) **Patent No.:** **US D945,503 S**  
**Lee et al.** (45) **Date of Patent:** **\*\* Mar. 8, 2022**

(54) **REFRIGERATOR**

(71) Applicant: **Samsung Electronics Co., Ltd.**,  
Gyeonggi-do (KR)  
(72) Inventors: **Junkyo Lee**, Gyeonggi-do (KR);  
**Hyeongju Seo**, Gyeonggi-do (KR);  
**Jichang Kang**, Gyeonggi-do (KR)  
(73) Assignee: **SAMSUNG ELECTRONICS CO., LTD.**, Gyeonggi-Do (KR)

(\*\*) Term: **15 Years**

(21) Appl. No.: **29/728,127**

(22) Filed: **Mar. 16, 2020**

(30) **Foreign Application Priority Data**

Sep. 16, 2019 (KR) ..... 30-2019-0044308

(51) **LOC (13) Cl.** ..... **15-07**

(52) **U.S. Cl.**  
USPC ..... **D15/79**; D15/81

(58) **Field of Classification Search**  
USPC ..... D15/79-91; 312/112-119, 236, 352,  
312/400-408; 62/3.1, 3.6, 3.63, 3.64,  
62/293, 371, 400, 467, 529, 531, 457.9  
CPC .. F25D 23/028; F25D 2323/024; F25D 23/00;  
F25D 23/02; F25D 2323/021; F25D  
23/065; F25D 11/00; F25D 2201/14;  
F25D 23/021; F25D 23/025; F25D 23/04;  
F25D 27/00; F25D 23/062; F25D 23/067;  
F25D 2400/18; F25D 23/08; F25D  
23/085; F25D 2500/02; F25D 25/00;  
F25D 25/005; F25D 25/022; F25D  
25/024; F25D 17/047; F25D 2317/041;  
F25D 2317/04131; F25D 2317/043; F25D  
2317/0664; F25D

(Continued)

(56) **References Cited**

**U.S. PATENT DOCUMENTS**

D87,883 S \* 10/1932 Olsen ..... D15/88  
D91,236 S \* 12/1933 Gottschalk ..... D15/87

(Continued)

**FOREIGN PATENT DOCUMENTS**

CN 304261586 \* 8/2017  
CN 305321779 \* 8/2019

(Continued)

**OTHER PUBLICATIONS**

CP171SS \_ Summit Appliance [online] URL: <https://web.archive.org/web/20110827042512/http://www.summitappliance.com/catalog/model/CP171SS> (site visited: Oct. 19, 2021) (Year: 2011).\*

(Continued)

*Primary Examiner* — Jae Liang

*Assistant Examiner* — Tia Ruth-Renee Polidori

(74) *Attorney, Agent, or Firm* — Cantor Colburn LLP

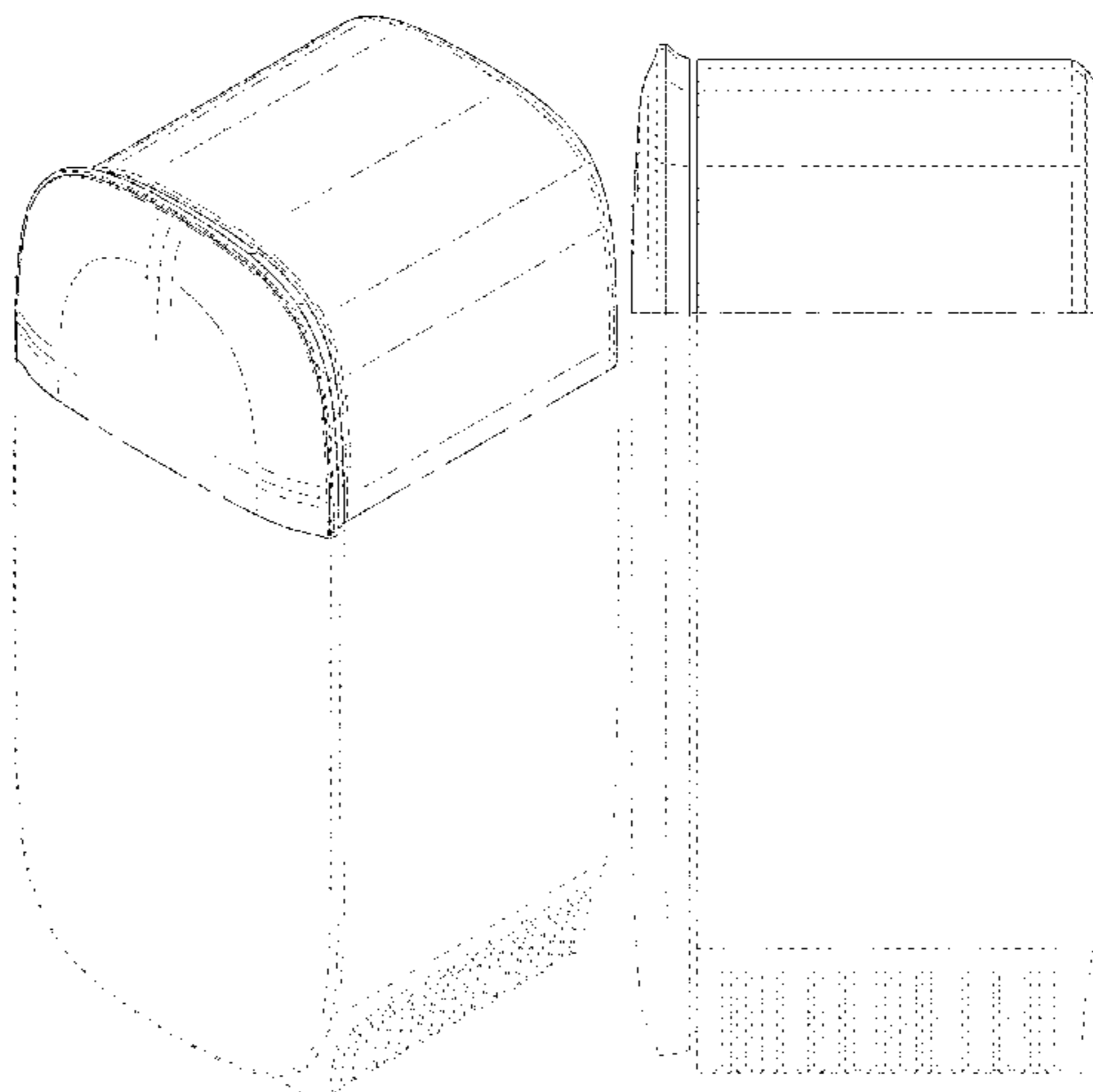
(57) **CLAIM**

The ornamental design for a refrigerator, as shown and described.

**DESCRIPTION**

FIG. 1 is a perspective view of a refrigerator, showing our new design;  
FIG. 2 is a front view thereof;  
FIG. 3 is a rear view thereof;  
FIG. 4 is a left side view thereof;  
FIG. 5 is a right side view thereof;  
FIG. 6 is a top view thereof;  
FIG. 7 is a bottom view thereof; and,  
FIG. 8 is rear perspective view thereof.  
The broken lines illustrating portions of the refrigerator form no part of the claimed design.  
The dot-dash broken lines represent a border between claimed and unclaimed subject matter and form no part of the claimed design.

**1 Claim, 8 Drawing Sheets**



(58) **Field of Classification Search**

CPC .... 2321/147; F25D 2323/02; F25D 2323/023;  
F25D 2400/12

See application file for complete search history.

(56) **References Cited**

U.S. PATENT DOCUMENTS

2,563,975	A	*	8/1951	Tobey .....	F25D 17/045 62/187
D178,570	S	*	8/1956	Hyde .....	D15/87
D184,125	S	*	12/1958	Ferar .....	D15/91
D620,956	S	*	8/2010	Kim .....	D15/87
D697,952	S	*	1/2014	Resch .....	D15/83
D762,741	S	*	8/2016	Galiatsis .....	D15/81
D762,742	S	*	8/2016	Galiatsis .....	D15/81
D803,903	S	*	11/2017	Wang .....	D15/88
D829,245	S	*	9/2018	Kim .....	D15/88
D847,874	S	*	5/2019	Kim .....	D15/81
D852,853	S	*	7/2019	Kim .....	D15/81
D853,454	S	*	7/2019	Kim .....	D15/81
D888,109	S	*	6/2020	Kim .....	D15/79
D888,112	S	*	6/2020	Kim .....	D15/89
D901,560	S	*	11/2020	Kim .....	D15/89
D909,431	S	*	2/2021	Kim .....	D15/79
D920,395	S	*	5/2021	Broen .....	D15/88

FOREIGN PATENT DOCUMENTS

CN	306731239	*	8/2021
EM	0025008500001		7/2014
KR	300571542		8/2010
KR	300896492		2/2017
KR	300912970		6/2017
WO	DM078927		7/2012

OTHER PUBLICATIONS

Dometic Refrigerator [online] URL: <https://www.dometic.com/en/outdoor/se/products/food-and-beverage/refrigerators/rv-refrigerators/dometic-rmf-8505--31164> (site visited: Oct. 19, 2021) (Year: 2014).\*

LG Single Door Refrigerator \_ LG Electronics PH [online] URL: <https://web.archive.org/web/20150705224121/http://www.lg.com/ph/refrigerators/lg-GN-B201SLZ> (site visited: Oct. 19, 2021) (Year: 2015).\*

Samsung [online] URL: <https://www.samsungindiamarketing.com/Promotions/catalogues/refrigerator/print-pdf/complete-catalogue.pdf> (site visited: Oct. 20, 2021) (Year: 2021).\*

LG 190L 1—Door Refrigerator with Larger Capacity\_LG Africa [online] URL: <https://web.archive.org/web/20180412073946/http://www.lg.com/africa/refrigerators/lg-GL-B201ALLB> (site visited: Oct. 19, 2021) (Year: 2018).\*

\* cited by examiner

FIG. 1

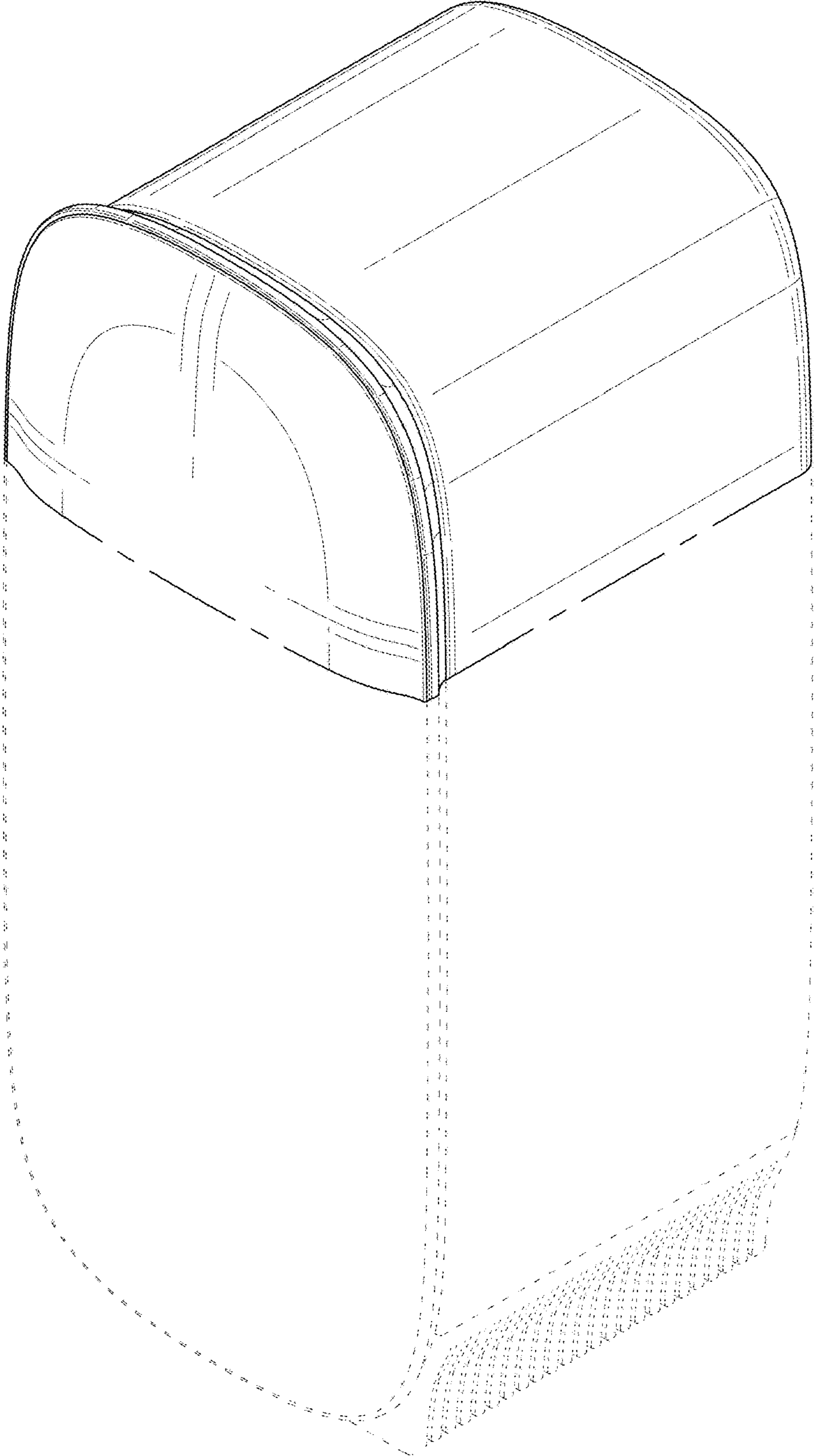


FIG. 2



FIG. 3

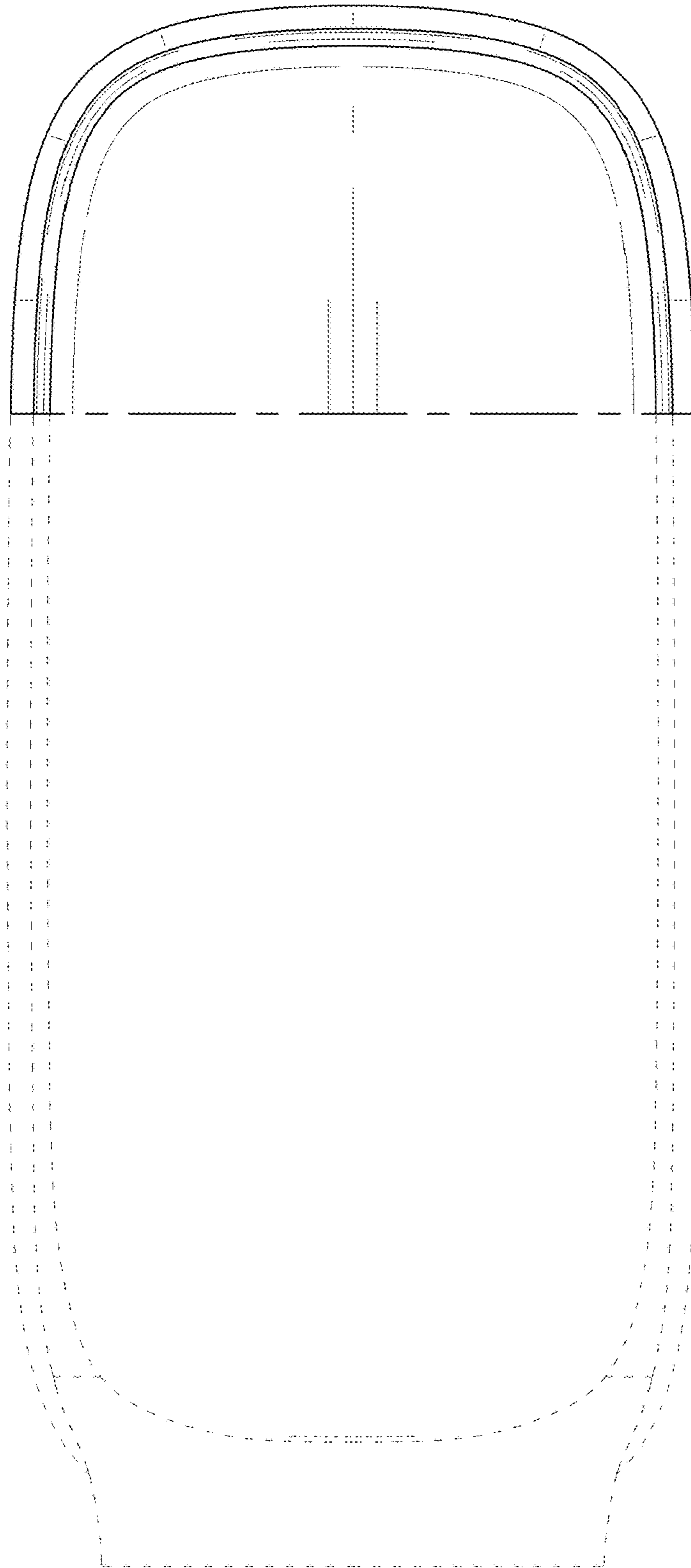


FIG. 4

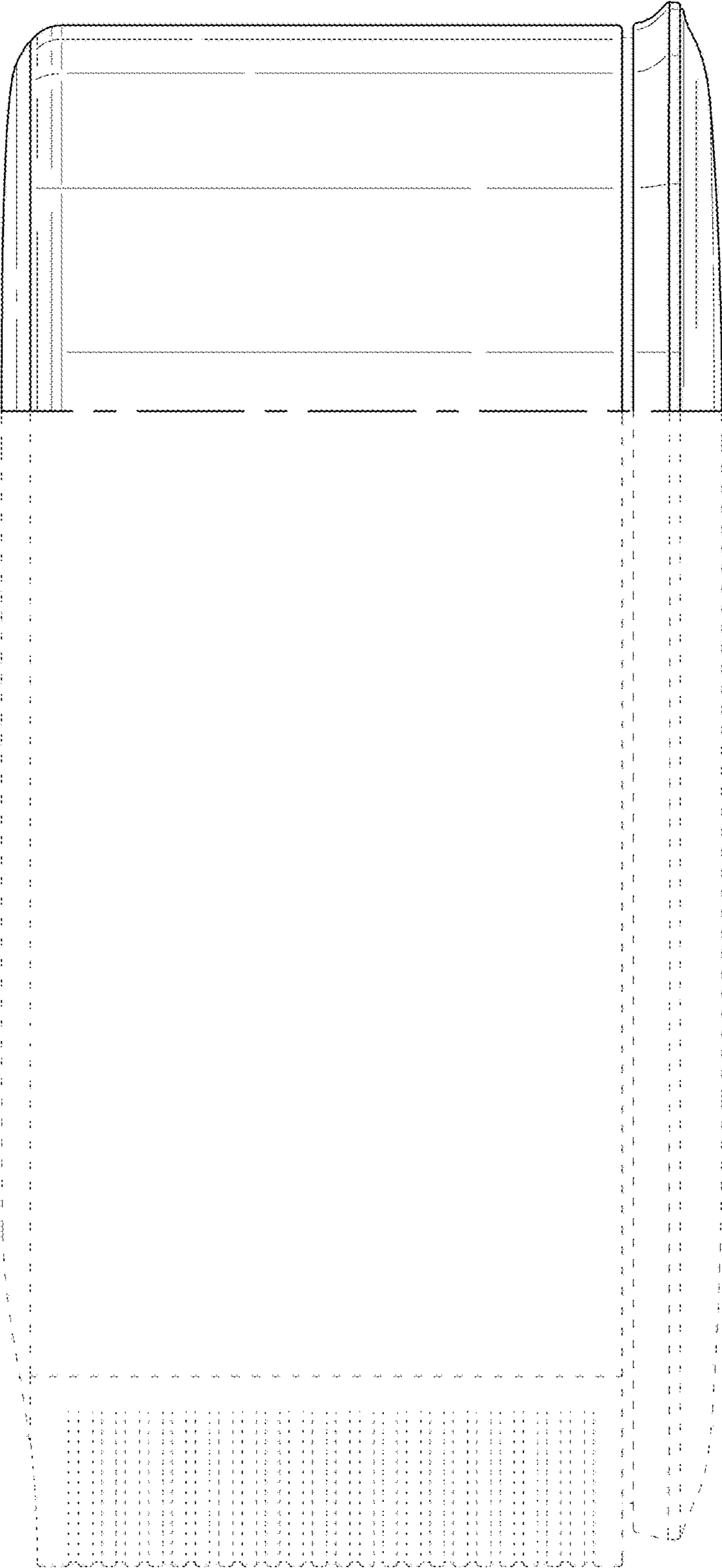


FIG. 5



FIG. 6

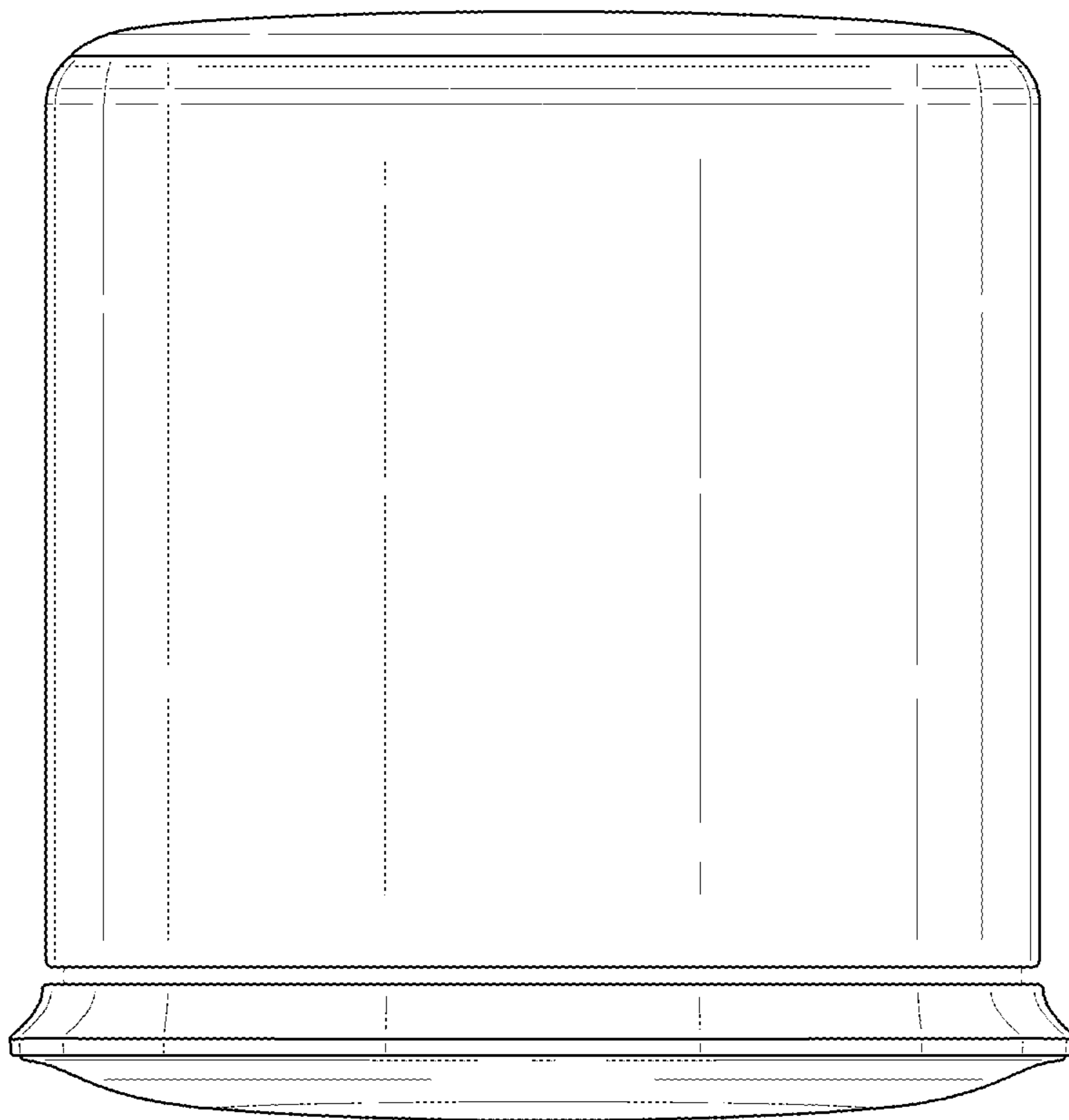




FIG. 7

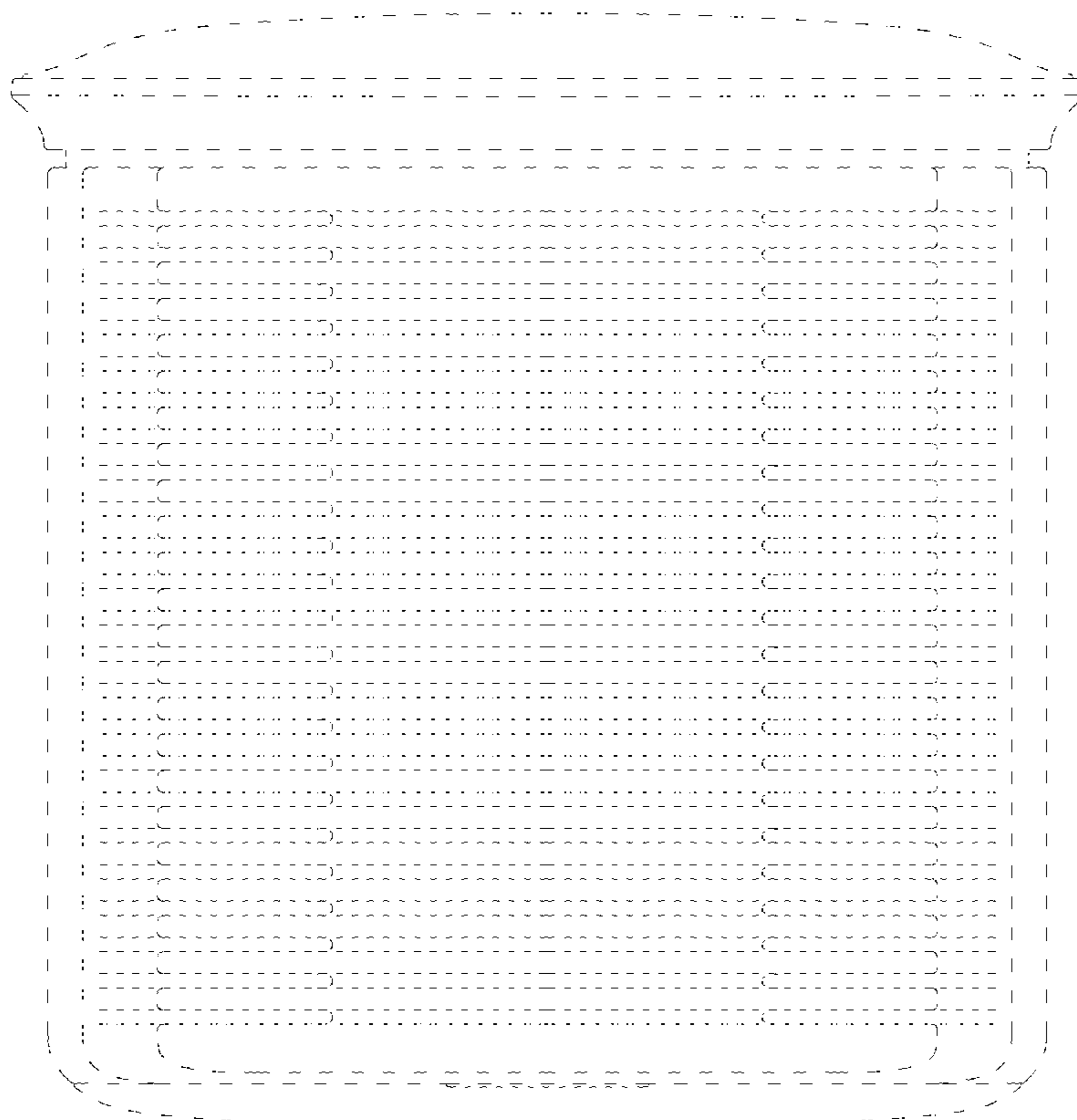


FIG. 8

