



US00D945501S

(12) **United States Design Patent**
Lee et al.

(10) **Patent No.: US D945,501 S**
(45) **Date of Patent: ** Mar. 8, 2022**

(54) **REFRIGERATOR**

- (71) Applicant: **SAMSUNG ELECTRONICS CO., LTD.**, Suwon-si (KR)
- (72) Inventors: **Junkyo Lee**, Suwon-si (KR); **Hyeongju Seo**, Suwon-si (KR); **Jichang Kang**, Suwon-si (KR)
- (73) Assignee: **SAMSUNG ELECTRONICS CO., LTD.**, Gyeonggi-Do (KR)
- (**) Term: **15 Years**
- (21) Appl. No.: **29/727,774**
- (22) Filed: **Mar. 13, 2020**
- (30) **Foreign Application Priority Data**

Sep. 16, 2019 (KR) 30-2019-0044306

(51) **LOC (13) Cl.** **15-07**

(52) **U.S. Cl.**
USPC **D15/79**; D15/81

(58) **Field of Classification Search**
USPC D15/79-91; 312/112-119, 236, 352, 312/400-408; 62/3.1, 3.6, 3.63, 3.64, 62/293, 371, 400, 467, 529, 531, 457.9
CPC .. F25D 23/028; F25D 2323/024; F25D 23/00; F25D 23/02; F25D 2323/021; F25D 23/065; F25D 11/00; F25D 2201/14; F25D 23/021; F25D 23/025; F25D 23/04; F25D 27/00; F25D 23/062; F25D 23/067; F25D 2400/18; F25D 23/08; F25D 23/085; F25D 2500/02; F25D 25/00; F25D 25/005; F25D 25/022; F25D 25/024; F25D 17/047; F25D 2317/041; F25D 2317/04131; F25D 2317/043; F25D 2317/0664; F25D

(Continued)

(56) **References Cited**

U.S. PATENT DOCUMENTS

- D86,878 S * 5/1932 Dohner D15/88
- D216,226 S * 12/1969 Barroero D15/88
- D342,744 S * 12/1993 Renner D15/81

(Continued)

FOREIGN PATENT DOCUMENTS

- CN 301556951 S 5/2011
- CN 305581640 * 1/2020

(Continued)

OTHER PUBLICATIONS

CP171SS _ Summit Appliance [online] URL: <https://web.archive.org/web/20110827042512/http://www.summitappliance.com/catalog/model/CP171SS> (site visited: Oct. 19, 2021) (Year: 2011).*

(Continued)

Primary Examiner — Jae Liang

Assistant Examiner — Tia Ruth-Renee Polidori

(74) *Attorney, Agent, or Firm* — Cantor Colburn LLP

(57) **CLAIM**

The ornamental design for a refrigerator, as shown and described.

DESCRIPTION

FIG. 1 is a front perspective view of a refrigerator, showing our new design;

FIG. 2 is a front view thereof;

FIG. 3 is a rear view thereof;

FIG. 4 is a left-side view thereof;

FIG. 5 is a right-side view thereof;

FIG. 6 is a top view thereof;

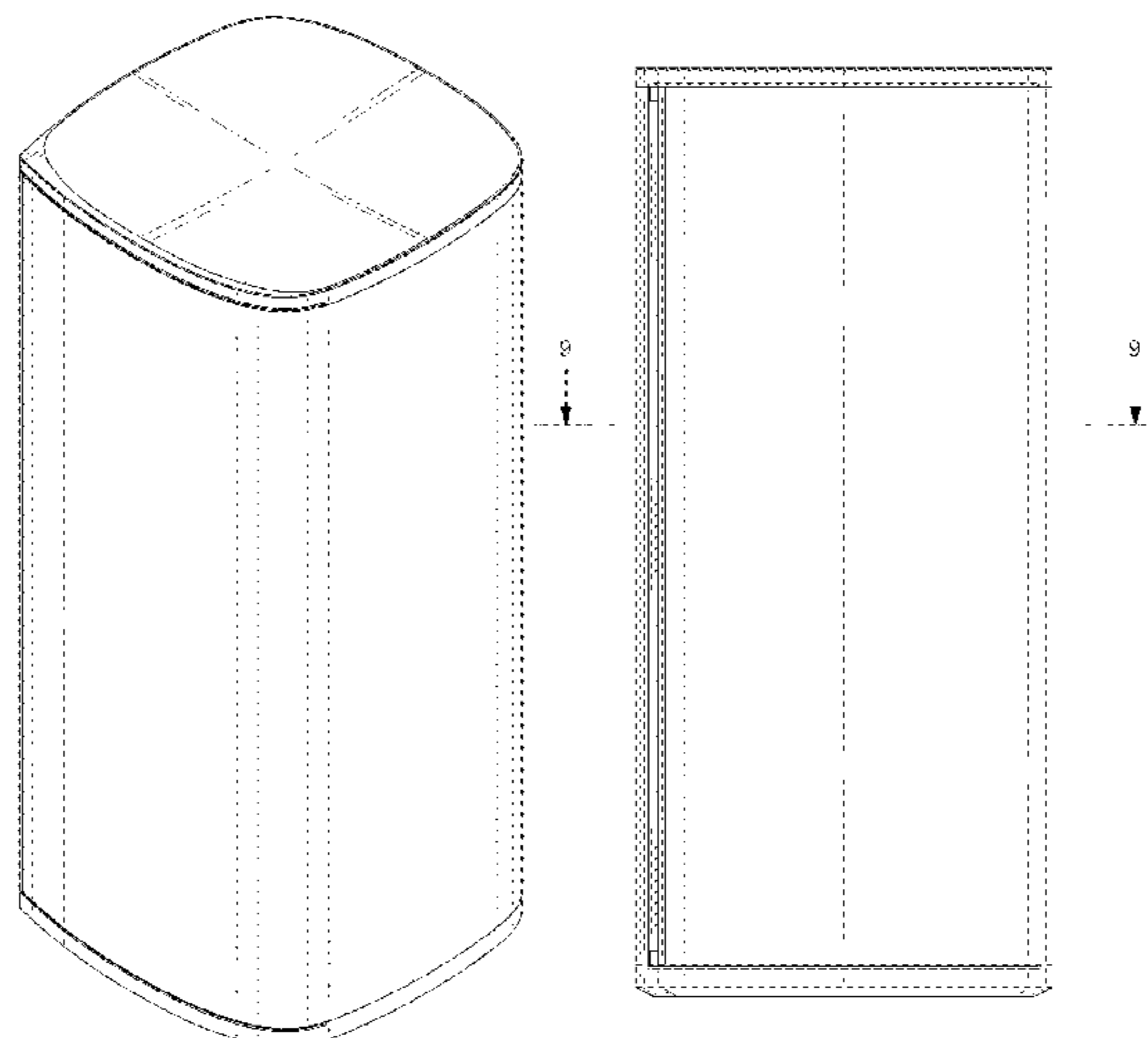
FIG. 7 is a bottom view thereof;

FIG. 8 is a rear perspective view thereof; and,

FIG. 9 is a cross-sectional view thereof, taken along line 9-9 in FIG. 2.

The broken lines illustrating portions of the refrigerator form no part of the claimed design.

1 Claim, 9 Drawing Sheets



(58) **Field of Classification Search**

CPC 2321/147; F25D 2323/02; F25D 2323/023;
F25D 2400/12

See application file for complete search history.

FOREIGN PATENT DOCUMENTS

EM	002437814-0001		4/2014
KR	300704136	S	8/2013
KR	300752162	S	7/2014
KR	301002407	S	4/2019
KR	301054006.0000	*	4/2020
KR	301054007.0000	*	4/2020
KR	301054008.0000	*	4/2020
KR	301054009.0000	*	4/2020

(56) **References Cited**

U.S. PATENT DOCUMENTS

D640,713	S	*	6/2011	Kim	D15/87
D715,334	S	*	10/2014	Sin	D15/81
D732,584	S	*	6/2015	Sin	D15/86
D760,818	S	*	7/2016	Sin	D15/86
D821,458	S	*	6/2018	Kim	D15/81
D825,622	S	*	8/2018	Kwon	D15/88
D829,775	S	*	10/2018	Kim	D15/81
D877,212	S	*	3/2020	Kim	D15/81
D929,471	S	*	8/2021	Meda	D15/79
D933,722	S	*	10/2021	You	D15/88

OTHER PUBLICATIONS

Dometic Refrigerator [online] URL: https://www.dometic.com/en/outdoor/se/products/food-and-beverage/refrigerators/rv-refrigerators/dometic-rmf-8505-_31164 (site visited: Oct. 19, 2021) (Year: 2014).*

LG Single Door Refrigerator _ LG Electronics PH [online] URL: <https://web.archive.org/web/20150705224121/http://www.lg.com/ph/refrigerators/lg-GN-B201SLZ> (site visited: Oct. 19, 2021) (Year: 2015).*

* cited by examiner

FIG. 1

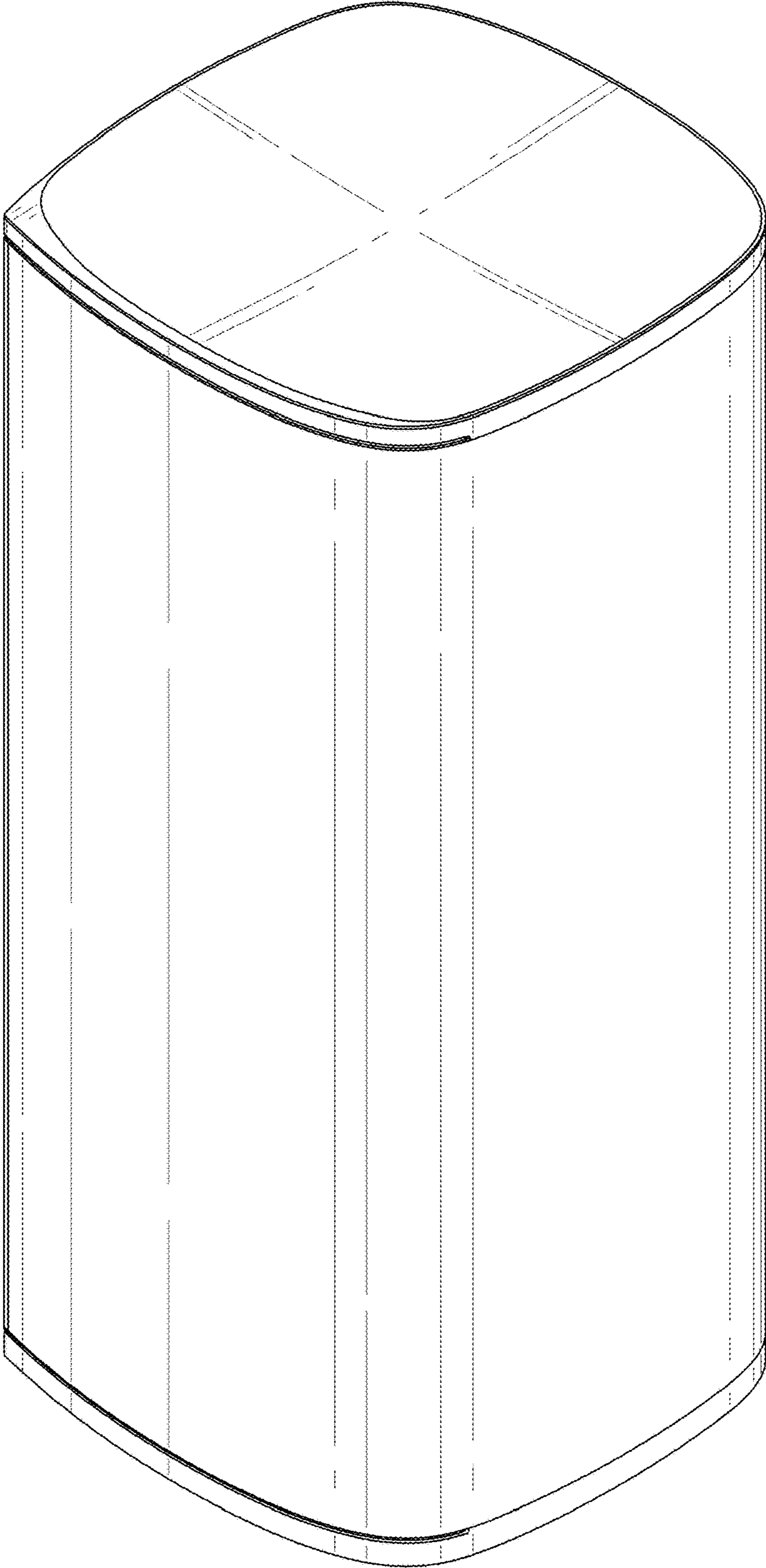


FIG. 2

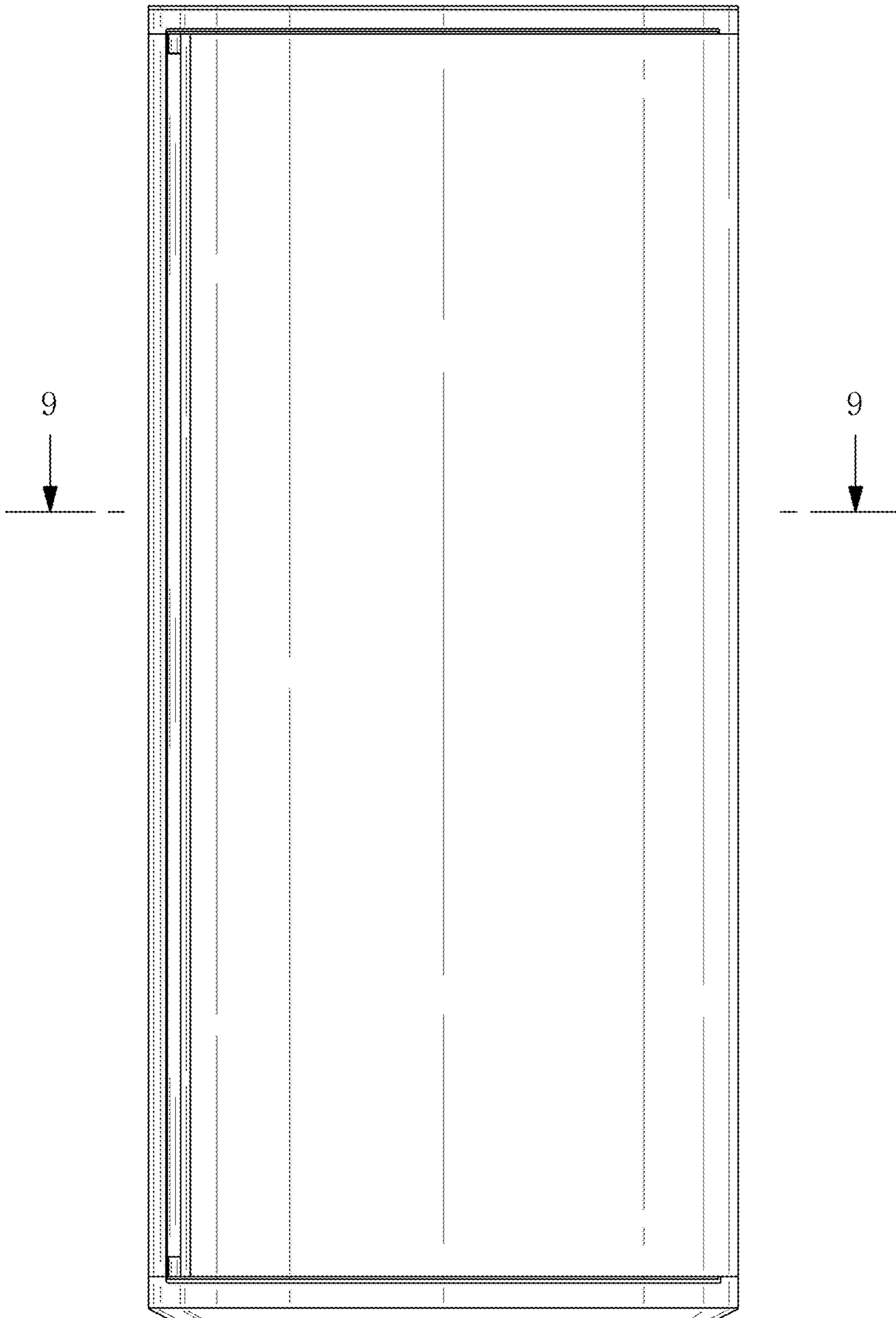


FIG. 3

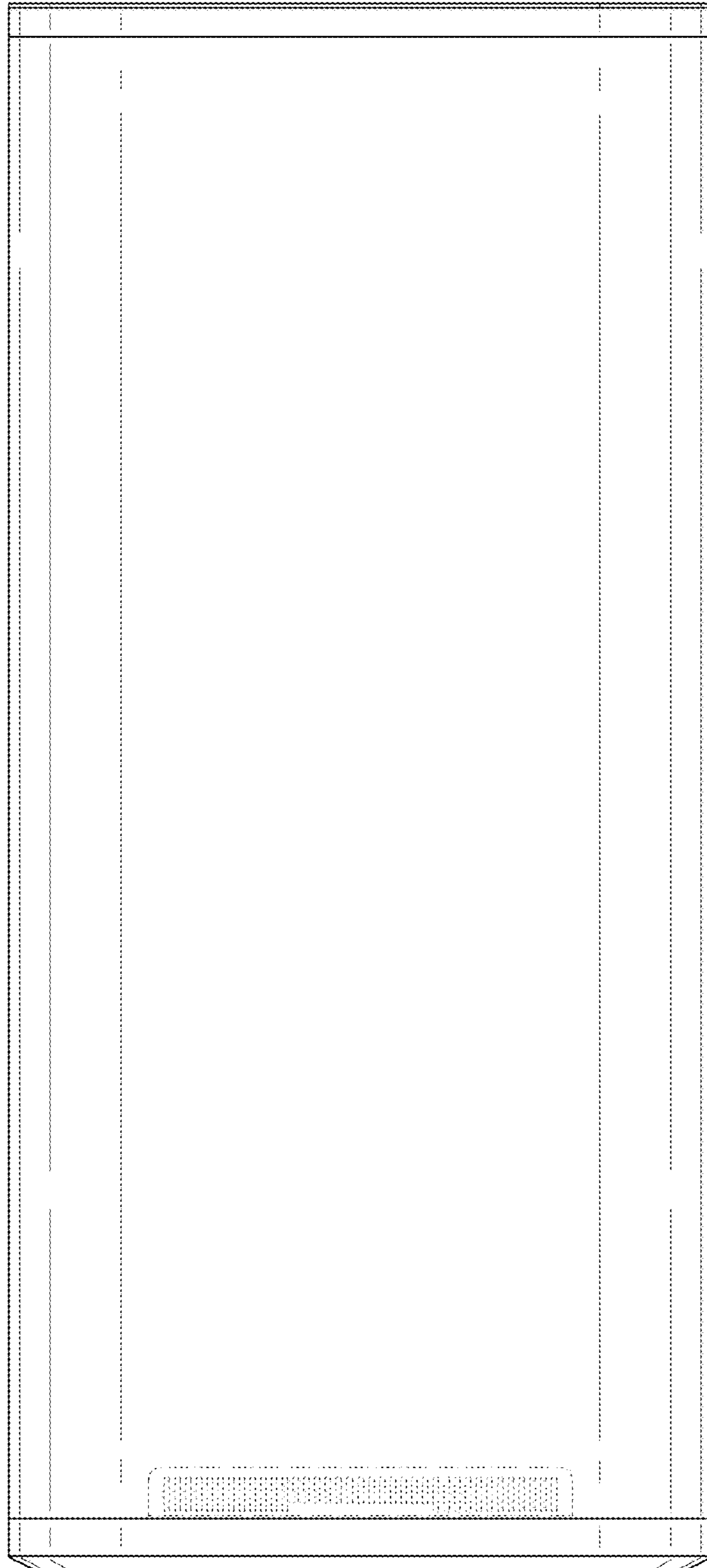


FIG. 4

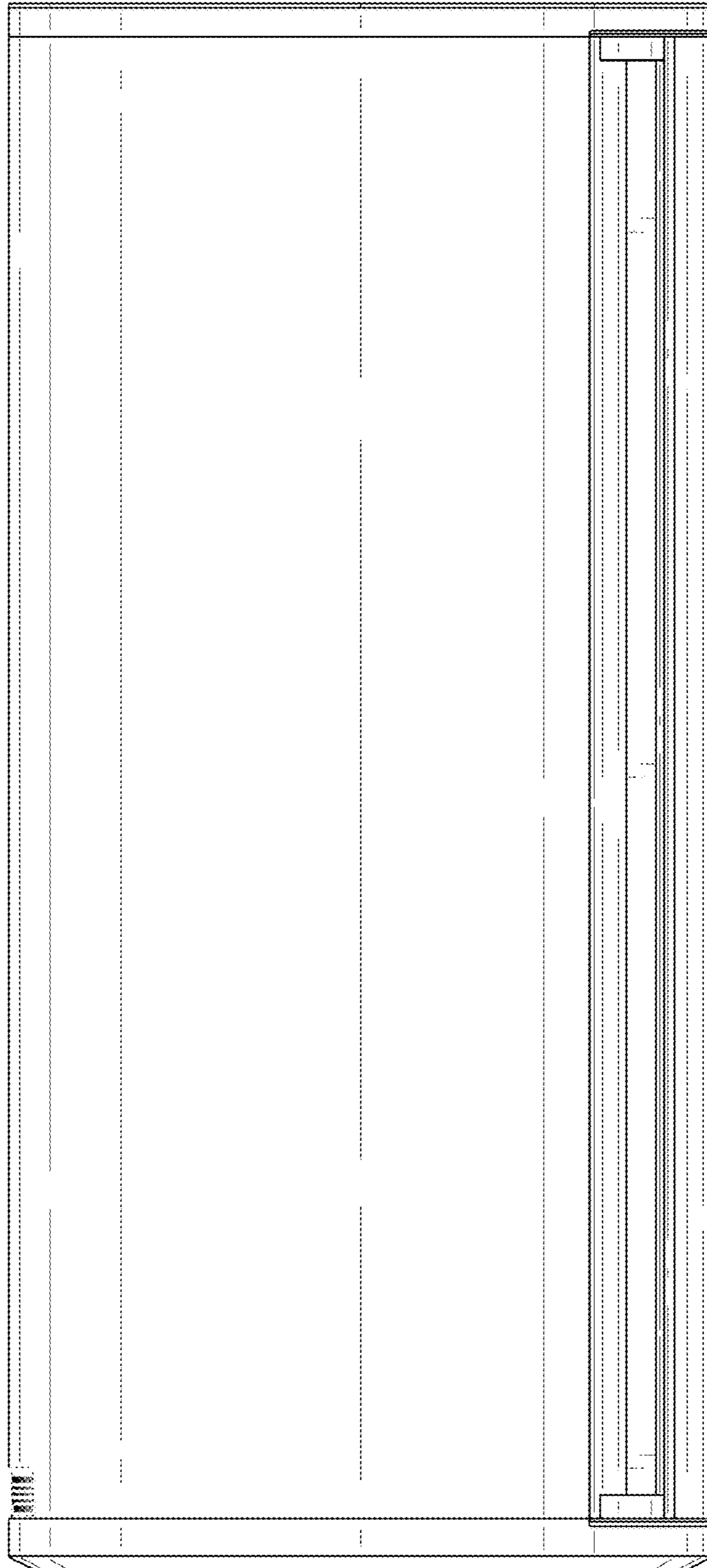


FIG. 5

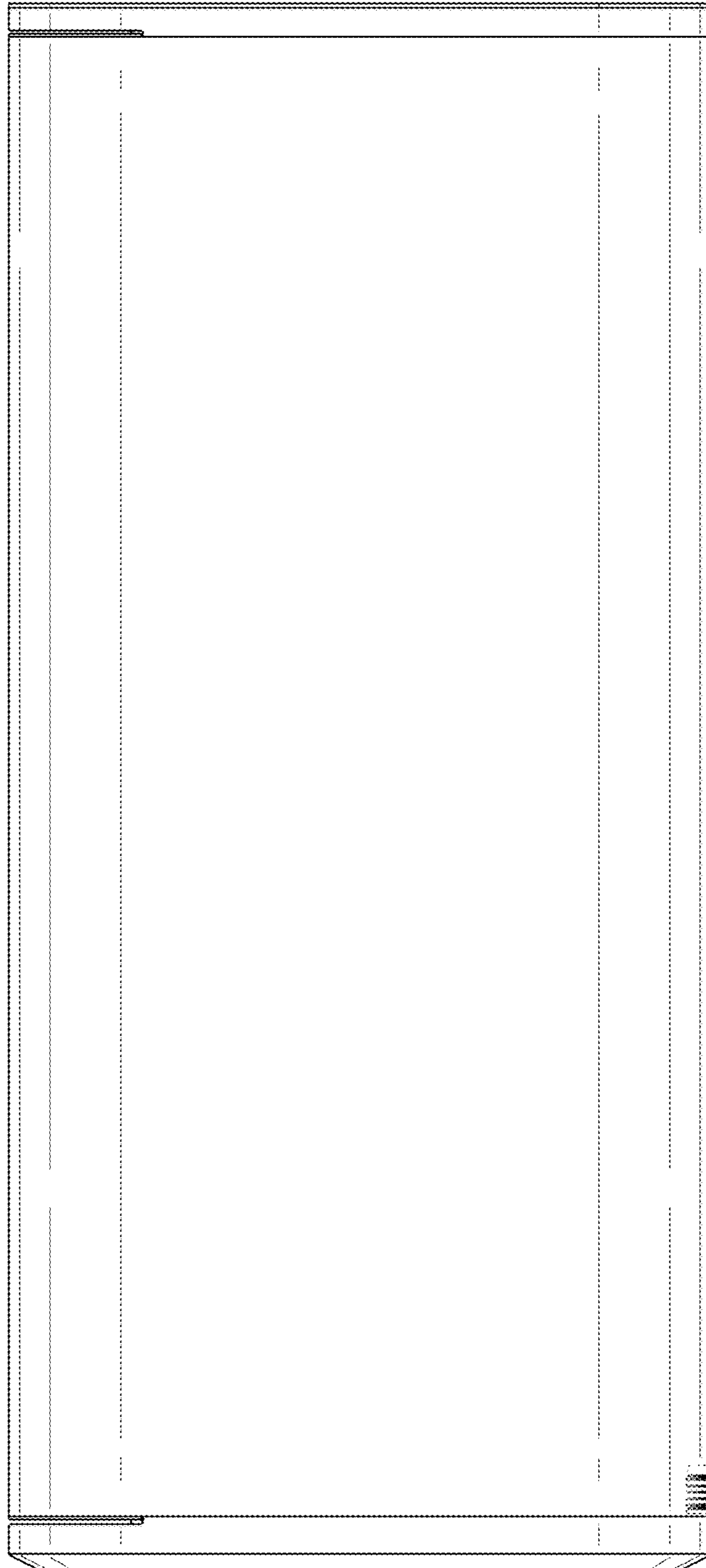


FIG. 6

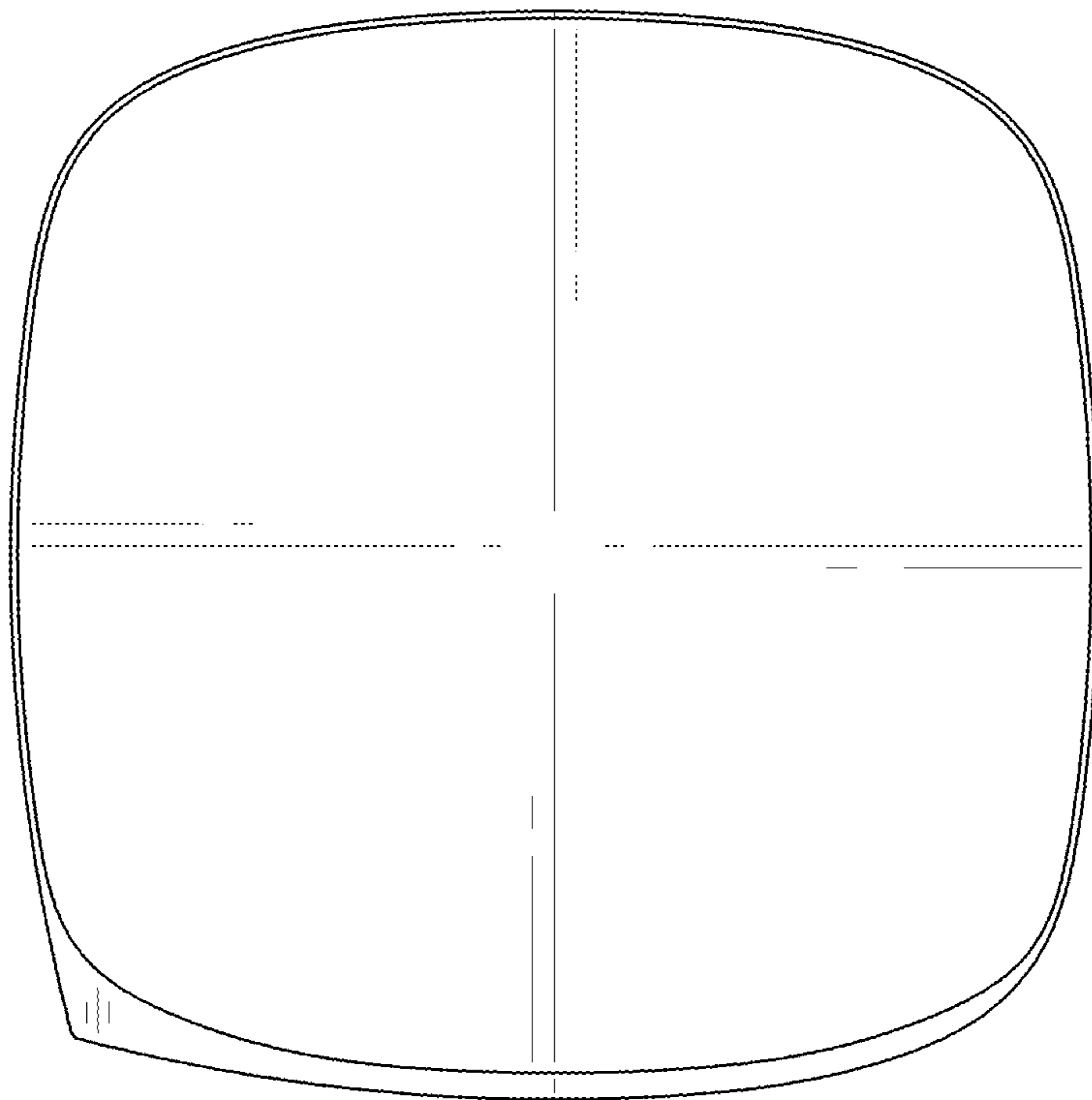


FIG. 7

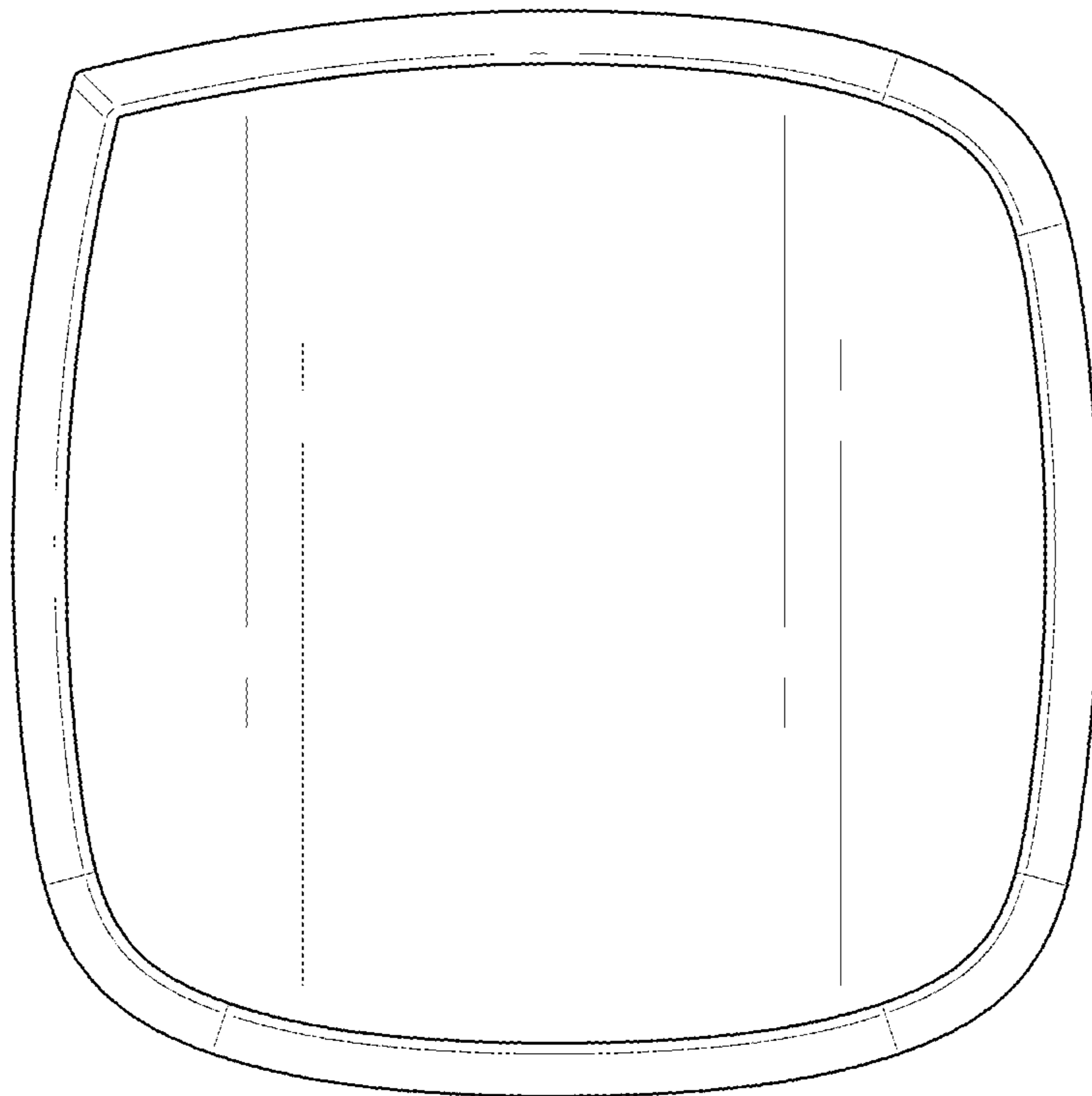


FIG. 8

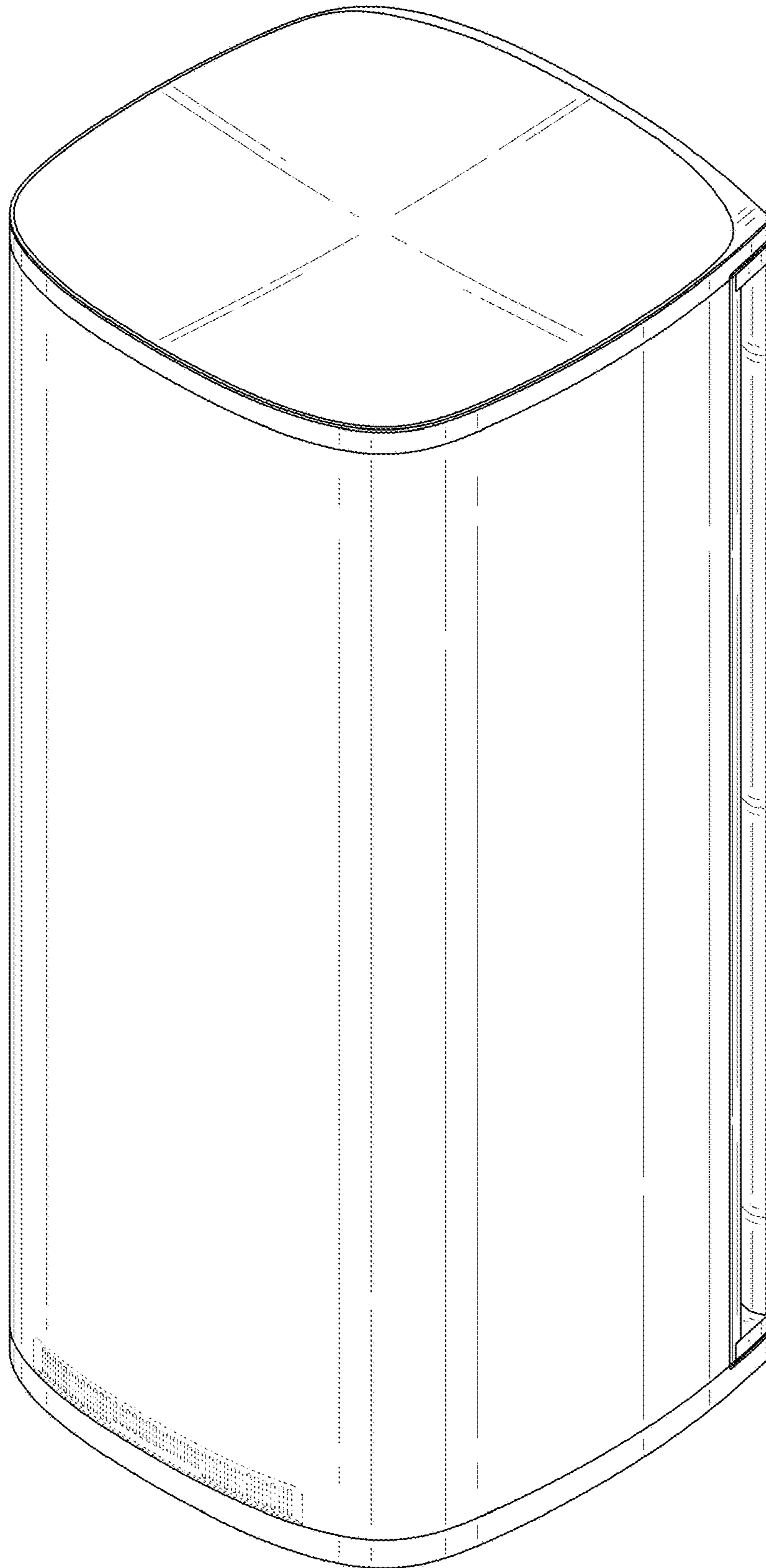


FIG. 9

