



US00D945500S

(12) **United States Design Patent** (10) **Patent No.:** **US D945,500 S**  
**Sinn et al.** (45) **Date of Patent:** **\*\* Mar. 8, 2022**

(54) **ADAPTER COVER FOR A GROUND ENGAGING MACHINE IMPLEMENT**

D706,307 S \* 6/2014 Renski ..... D15/28  
D707,264 S \* 6/2014 Renski ..... D15/29  
D727,367 S \* 4/2015 Renski ..... D15/28

(Continued)

(71) Applicant: **Caterpillar Inc.**, Peoria, IL (US)

FOREIGN PATENT DOCUMENTS

(72) Inventors: **Eric Thomas Sinn**, Tremont, IL (US);  
**Douglas Charles Serrurier**, Morton, IL (US); **Rammagy Yoeu**, Dunlap, IL (US)

AU 201914720 9/2019  
BR 30201900 4080-8 10/2019

(Continued)

(73) Assignee: **Caterpillar Inc.**, Peoria, IL (US)

OTHER PUBLICATIONS

(\*\*) Term: **15 Years**

U.S. Appl. No. 29/682,757, titled "Adapter Cover for a Ground Engaging Machine Implement", filed Mar. 7, 2019. (Unpublished).

(Continued)

(21) Appl. No.: **29/758,763**

(22) Filed: **Nov. 18, 2020**

(51) **LOC (13) Cl.** ..... **15-03**

*Primary Examiner* — Mark A Goodwin

(52) **U.S. Cl.**  
USPC ..... **D15/29; D15/28**

(74) *Attorney, Agent, or Firm* — Saidman Design Law Group

(58) **Field of Classification Search**

(57) **CLAIM**

USPC ..... D15/11, 28, 29; 37/456, 452, 450, 446,  
37/454, 449, 453, 455, 903; 403/379.5,  
403/DIG. 1; 111/152; 172/724, 730,  
172/766, 770, 771, 721, 713, 699, 772  
CPC ..... Y10T 29/49826; Y10T 403/589; Y10T  
403/7018; Y10T 403/7075; E02F 9/28;  
E02F 9/2825; E02F 9/2833; E02F 9/2866;  
E02F 9/2858; E02F 9/2808; E02F 9/2841  
See application file for complete search history.

The ornamental design for an adapter cover for a ground engaging machine implement, as shown and described.

**DESCRIPTION**

FIG. 1 is a front perspective view of an adapter cover for a ground engaging machine implement showing our new design;

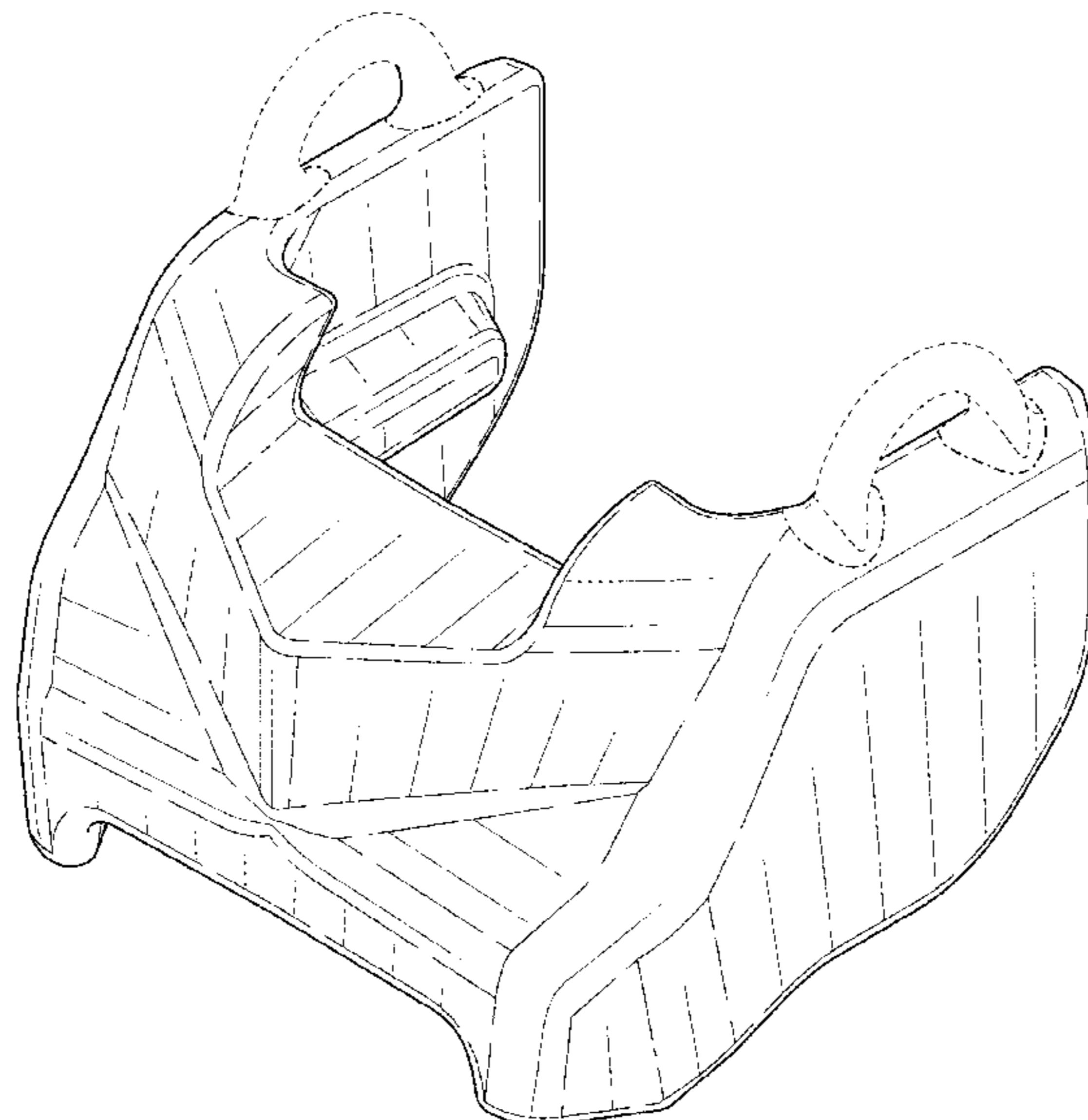
(56) **References Cited**

U.S. PATENT DOCUMENTS

3,137,352 A 6/1964 Petersen  
4,326,348 A 4/1982 Emrich  
4,335,532 A 6/1982 Hahn et al.  
4,414,764 A 11/1983 Johansson et al.  
4,428,131 A 1/1984 Hahn  
5,075,986 A 12/1991 Smith et al.  
5,088,214 A 2/1992 Jones  
6,871,426 B2 \* 3/2005 Keech ..... E02F 9/2825  
37/456

FIG. 2 is a front view thereof;  
FIG. 3 is a rear view thereof;  
FIG. 4 is a left side view thereof;  
FIG. 5 is a right side view thereof;  
FIG. 6 is a top view thereof; and,  
FIG. 7 is a bottom view thereof.  
The broken lines illustrate structure or features which form no part of the claimed design.  
The dot-dash broken lines illustrate boundaries which form no part of the claimed design.

**1 Claim, 5 Drawing Sheets**



(56)

References Cited

FOREIGN PATENT DOCUMENTS

U.S. PATENT DOCUMENTS

D727,369	S *	4/2015	Renski	.....	D15/29
9,074,353	B2	7/2015	Tanaka et al.		
9,091,042	B2	7/2015	Guimaraes et al.		
D748,679	S *	2/2016	Renski	.....	D15/28
9,315,972	B2	4/2016	Anisy et al.		
D782,546	S	3/2017	Balan et al.		
D784,424	S *	4/2017	Renski	.....	D15/29
D805,562	S *	12/2017	Serrurier	.....	D15/29
D806,140	S *	12/2017	Serrurier	.....	D15/29
D806,141	S *	12/2017	Serrurier	.....	D15/29
D806,142	S *	12/2017	Serrurier	.....	D15/29
9,963,857	B2	5/2018	Ruvang		
D832,310	S *	10/2018	Balan	.....	D15/29
D840,441	S *	2/2019	Serrurier	.....	D15/29
D857,761	S *	8/2019	Balan	.....	D15/29
10,428,494	B1	10/2019	Lombardo et al.		
D905,763	S *	12/2020	Sinn	.....	D15/28
D905,764	S *	12/2020	Sinn	.....	D15/28
D925,616	S *	7/2021	Sinn	.....	D15/29
2014/0082976	A1	3/2014	Vicq et al.		
2017/0328034	A1	11/2017	Campomanes et al.		
2020/0157765	A1	5/2020	Sinn et al.		
2020/0157776	A1	5/2020	Sinn et al.		
2020/0157777	A1	5/2020	Sinn et al.		
2020/0157778	A1	5/2020	Sinn et al.		
2020/0157779	A1	5/2020	Sinn et al.		
2020/0157780	A1	5/2020	Sinn et al.		

CN	ZL201930428879.3	4/2020
CN	ZL201930443215.4	4/2020
EM	006815809-0001	9/2019
EM	006815817-0001	9/2019
ID	A00201902877	8/2020
ID	A00201902879	8/2020
IN	320530-001	12/2019
IN	320630-001	9/2020
MX	MX/f/2019/002477	11/2019
MX	MX/f/2019/002479	11/2019
PE	5603	12/2019
PE	5610	12/2019
RU	121030	8/2020
RU	121032	8/2020

OTHER PUBLICATIONS

U.S. Appl. No. 29/682,759, titled "Adapter Cover for a Ground Engaging Machine Implement", filed Mar. 7, 2019. (Unpublished).

U.S. Appl. No. 16/951,186, filed Nov. 18, 2020 (unpublished).

U.S. Appl. No. 16/951,231, filed Nov. 18, 2020 (unpublished).

U.S. Appl. No. 16/951,630, filed Nov. 18, 2020 (unpublished).

U.S. Appl. No. 29/758,754, filed Nov. 18, 2020 (unpublished).

\* cited by examiner

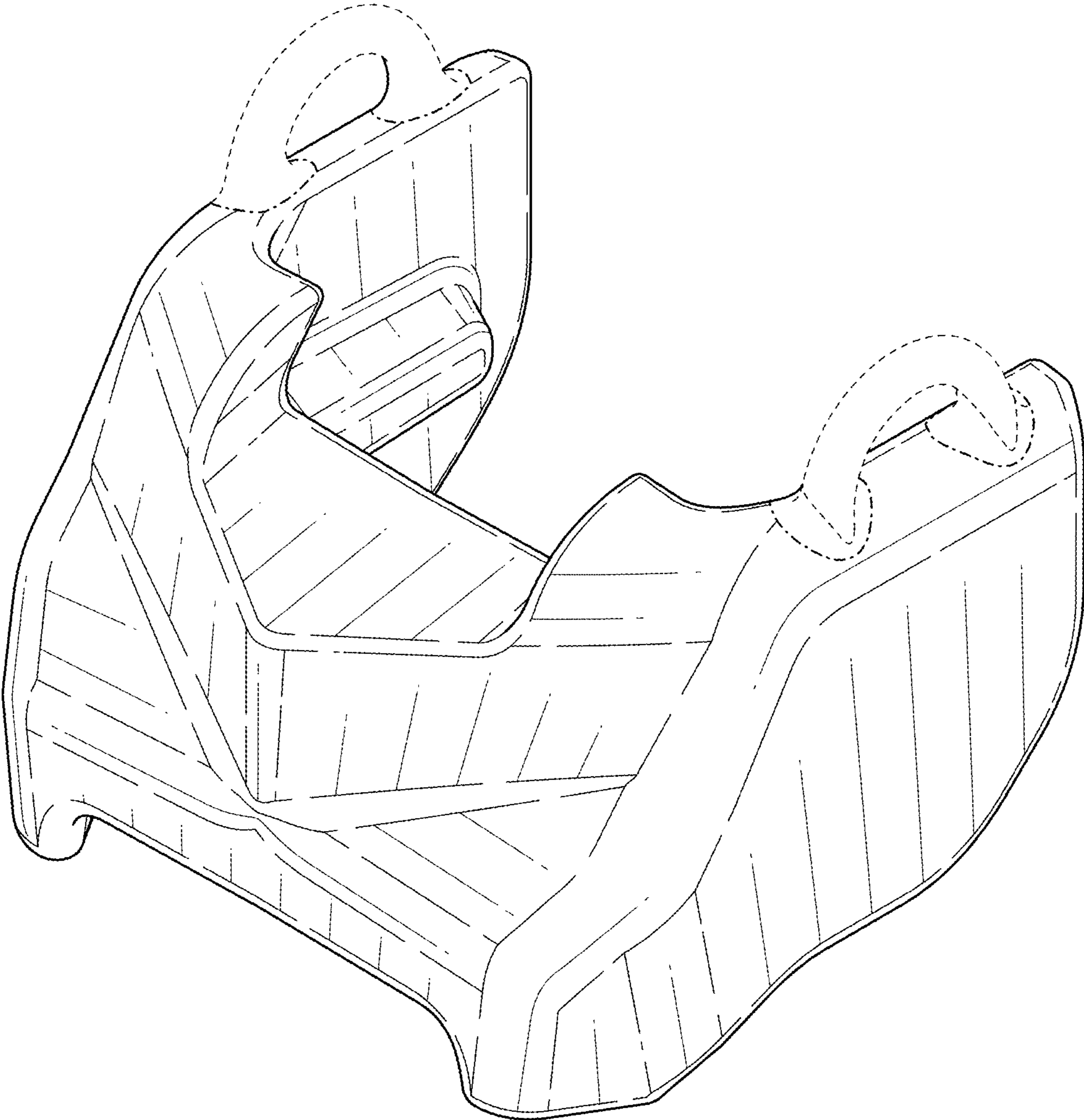


FIG. 1

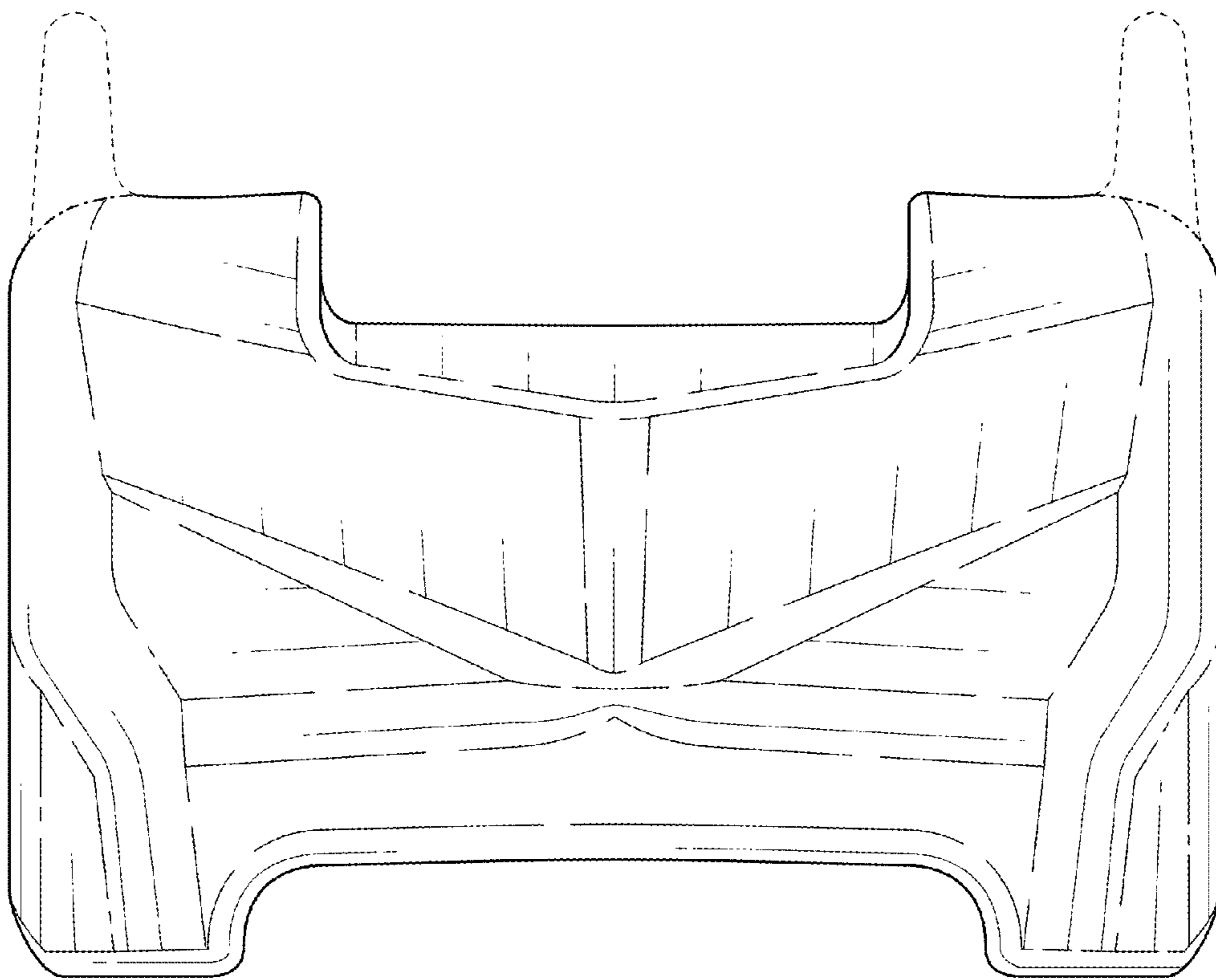


FIG. 2

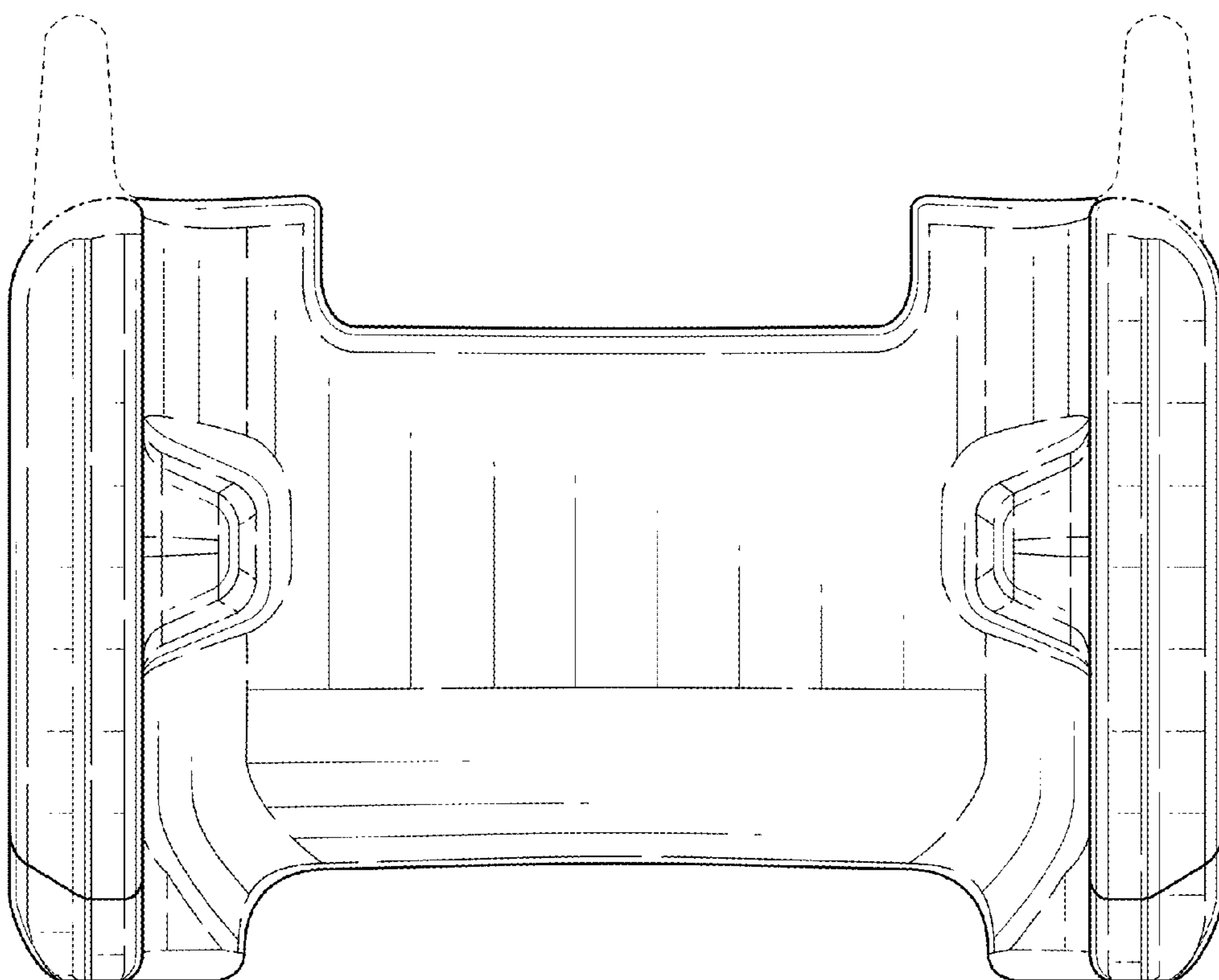


FIG. 3

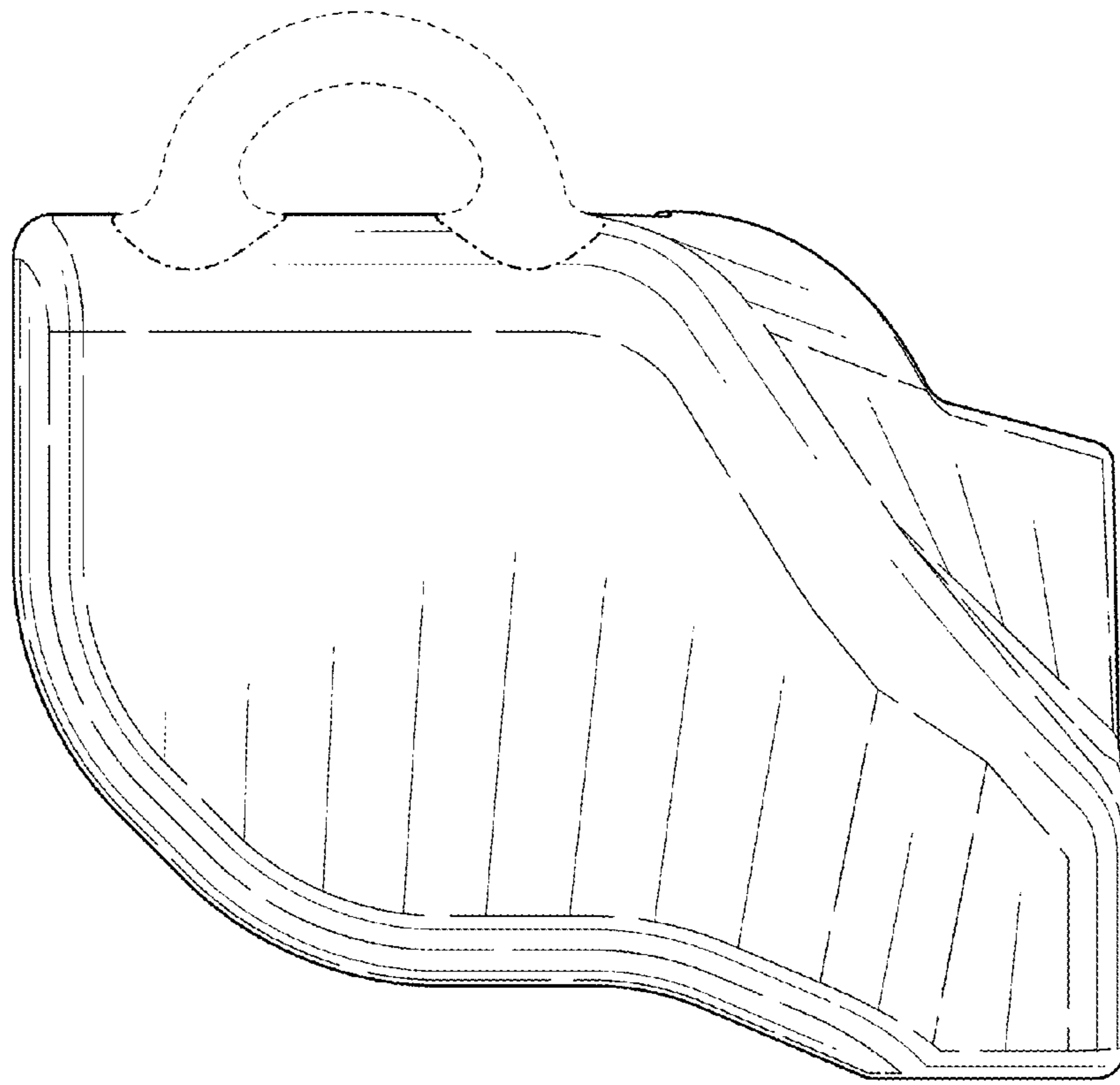


FIG. 4

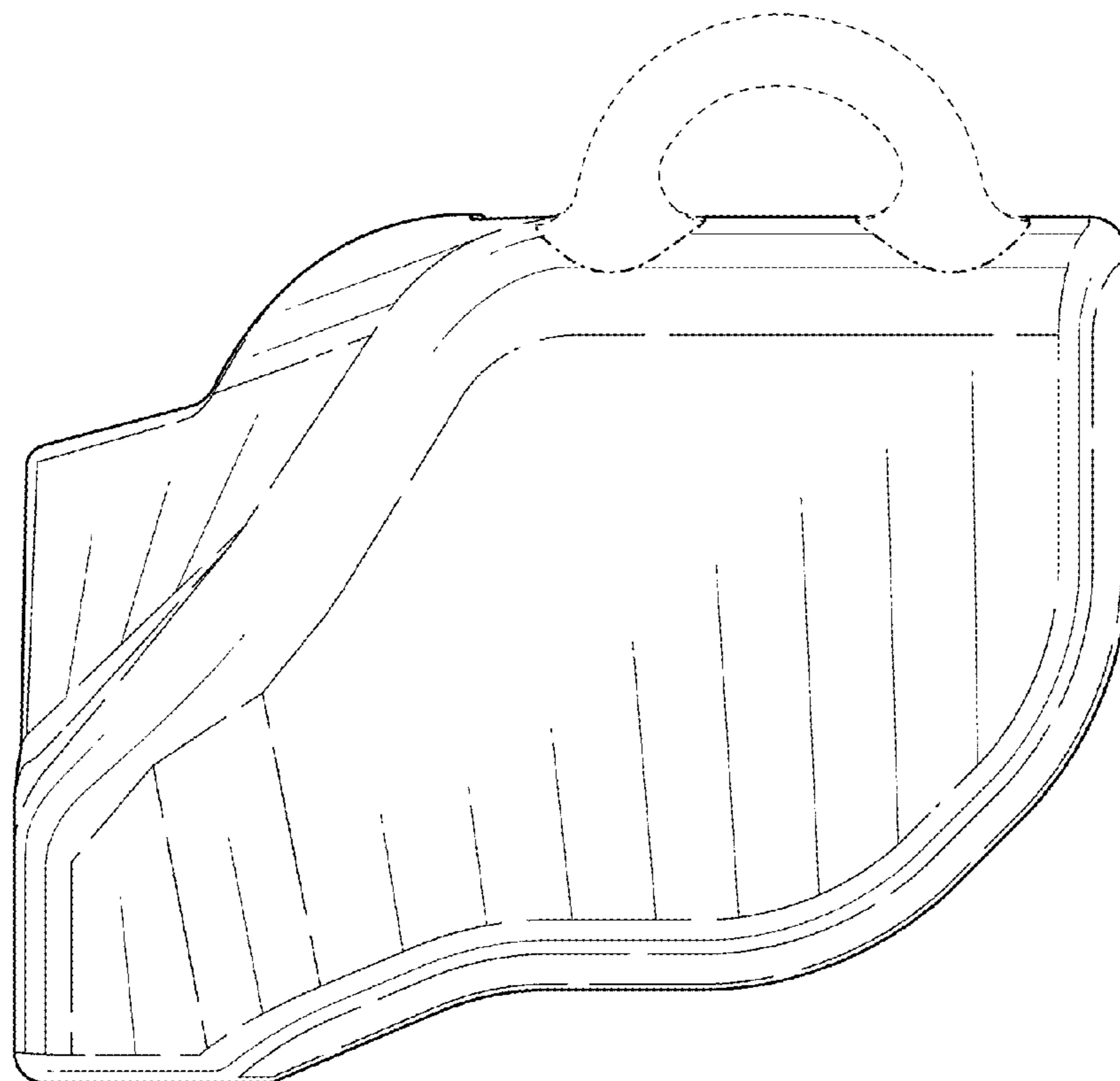


FIG. 5

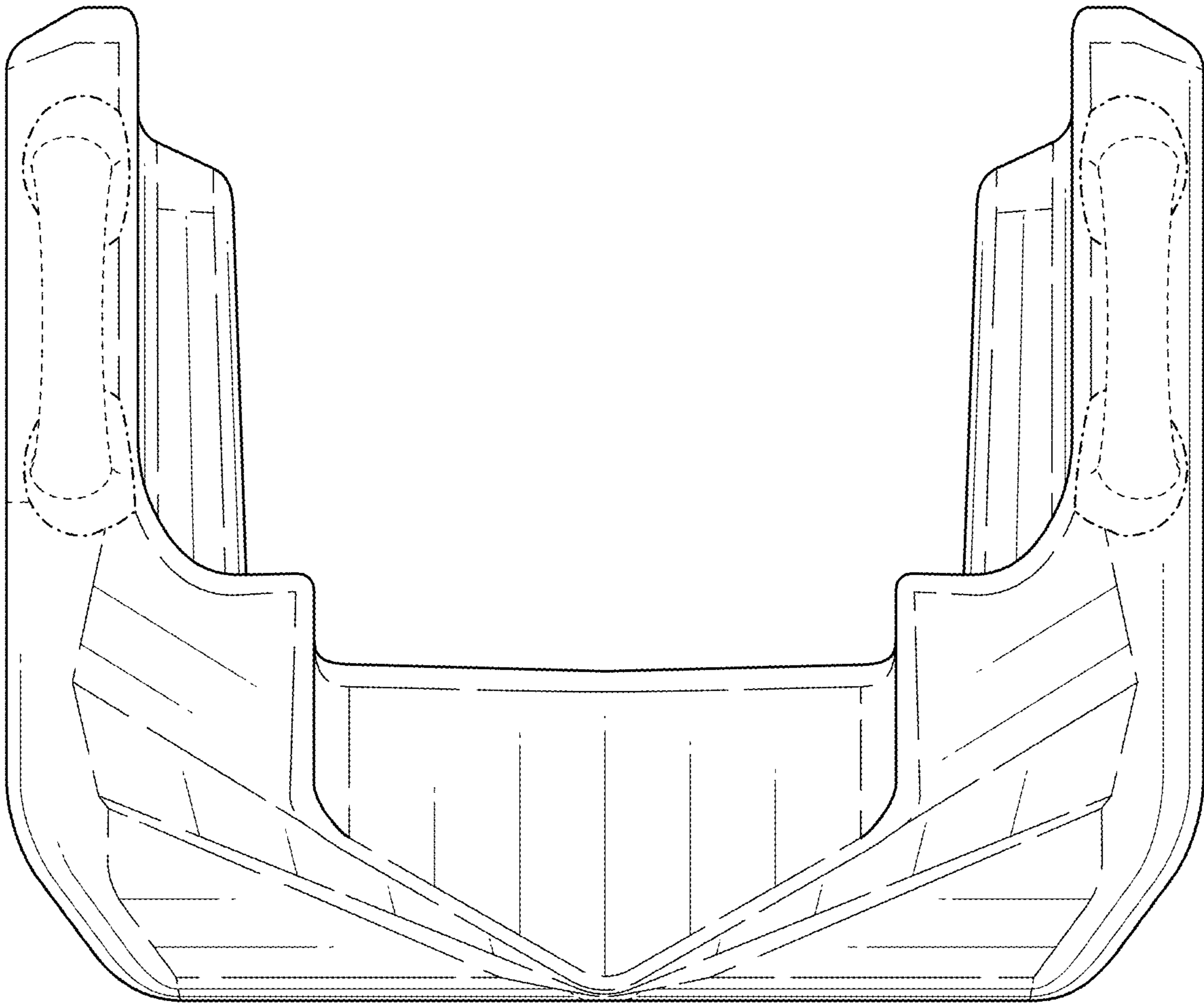


FIG. 6

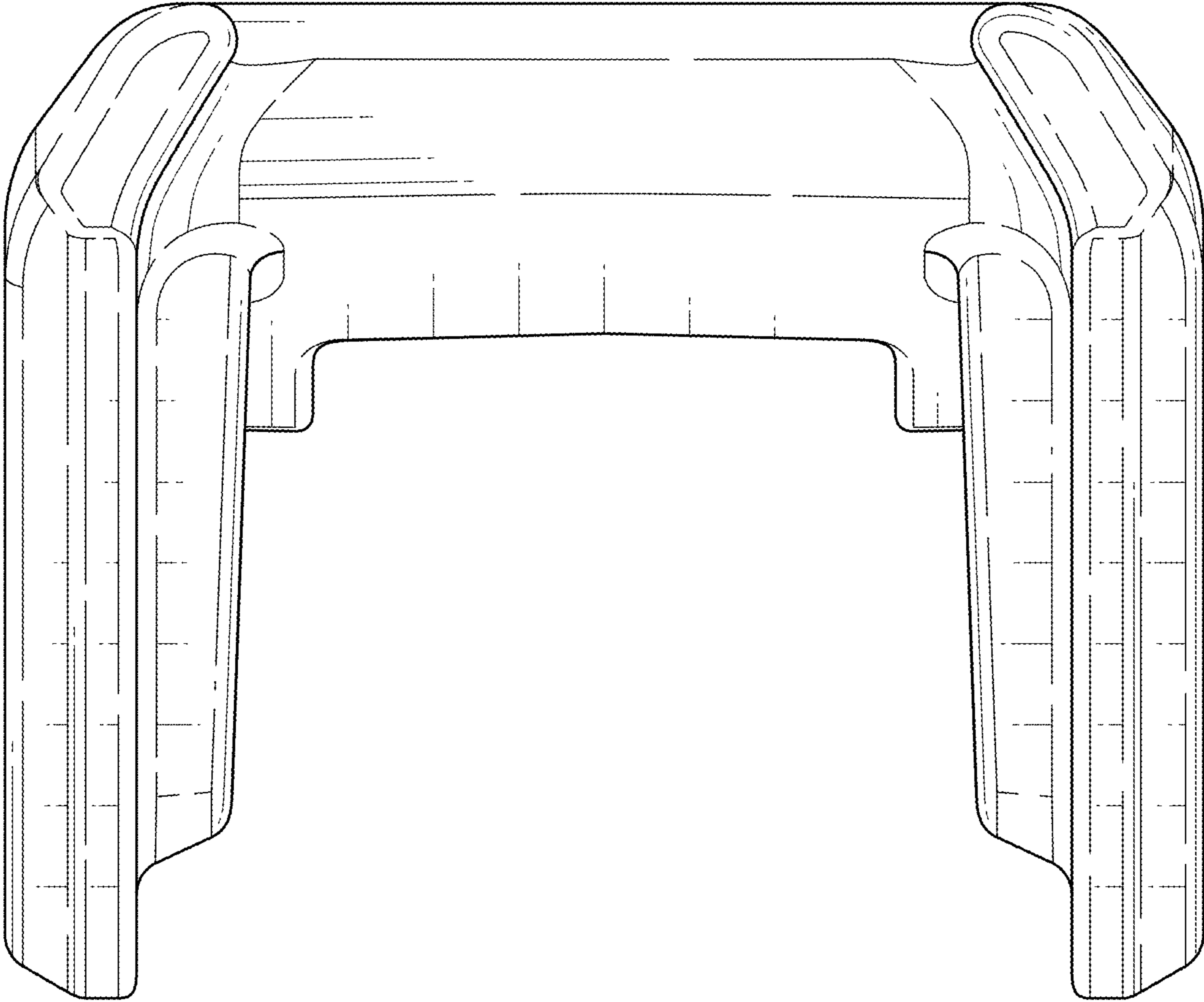


FIG. 7