



US00D945499S

(12) **United States Design Patent** (10) **Patent No.:** **US D945,499 S**
Sinn et al. (45) **Date of Patent:** **** Mar. 8, 2022**

(54) **ADAPTER FOR A GROUND ENGAGING MACHINE IMPLEMENT**

2,982,035 A 5/1961 Stephenson
3,019,537 A 2/1962 Stephenson
3,079,710 A 3/1963 Larsen et al.
3,312,004 A 4/1967 Johnson
3,623,247 A 11/1971 Stepe
3,774,324 A 11/1973 Lafond

(71) Applicant: **Caterpillar Inc.**, Peoria, IL (US)

(72) Inventors: **Eric Thomas Sinn**, Tremont, IL (US);
Douglas Charles Serrurier, Morton, IL (US); **Rammagy Yoeu**, Dunlap, IL (US)

(Continued)

FOREIGN PATENT DOCUMENTS

(73) Assignee: **Caterpillar Inc.**, Peoria, IL (US)

AU 300371 12/2004
AU 308226 8/2006

(**) Term: **15 Years**

(Continued)

(21) Appl. No.: **29/758,758**

OTHER PUBLICATIONS

(22) Filed: **Nov. 18, 2020**

U.S. Appl. No. 61/545,107, filed Oct. 7, 2011 (unpublished).

(51) **LOC (13) Cl.** **15-03**

(Continued)

(52) **U.S. Cl.**
USPC **D15/29**; D15/28

(58) **Field of Classification Search**
USPC D15/11, 28, 29; 37/456, 452, 450, 446,
37/454, 449, 453, 455, 903; 403/379.5,
403/DIG. 1; 111/152; 172/724, 730,
172/766, 770, 771, 721, 713, 699, 772
CPC Y10T 29/49826; Y10T 403/589; Y10T
403/7018; Y10T 403/7075; E02F 9/28;
E02F 9/2825; E02F 9/2833; E02F 9/2866;
E02F 9/2858; E02F 9/2808; E02F 9/2841
See application file for complete search history.

Primary Examiner — Mark A Goodwin
(74) *Attorney, Agent, or Firm* — Saidman Design Law Group

(57) **CLAIM**

The ornamental design for an adapter for a ground engaging machine implement, as shown and described.

DESCRIPTION

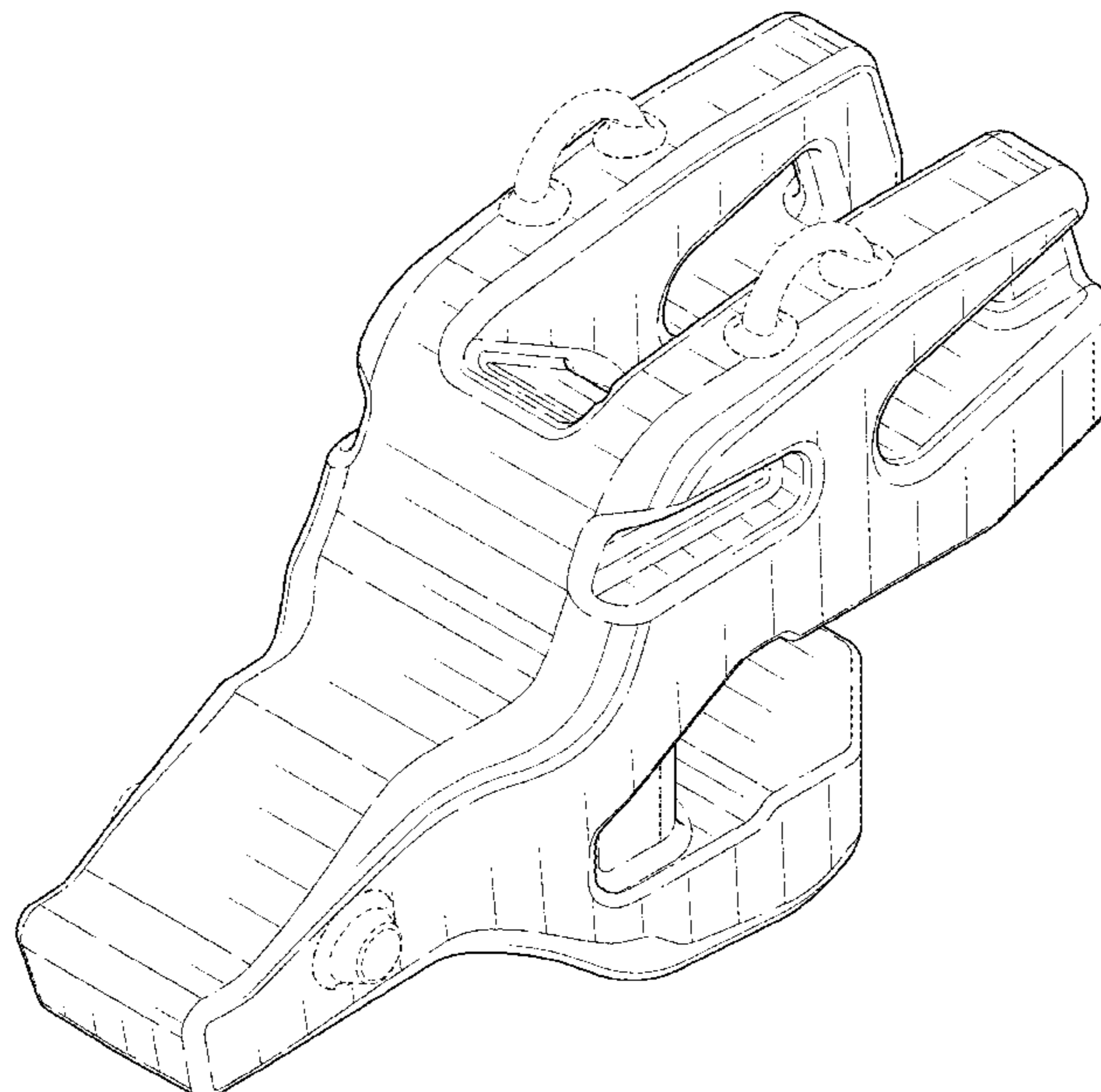
FIG. 1 is a front perspective view of an adapter for a ground engaging machine implement showing our new design; FIG. 2 is a front view thereof; FIG. 3 is a rear view thereof; FIG. 4 is a left side view thereof; FIG. 5 is a right side view thereof; FIG. 6 is a top view thereof; and, FIG. 7 is a bottom view thereof. The broken lines illustrate structure or features which form no part of the claimed design. The dot-dash broken lines illustrate boundaries which form no part of the claimed design.

(56) **References Cited**

U.S. PATENT DOCUMENTS

1,220,186 A 3/1917 Chambers
1,384,701 A 7/1921 McMonegal
1,571,782 A 2/1926 Andrews
1,856,930 A 5/1932 Robin
2,256,488 A 9/1941 Murtaugh
2,427,651 A 9/1947 Baer
D182,143 S 2/1958 Petersen

1 Claim, 7 Drawing Sheets



(56)

References Cited

U.S. PATENT DOCUMENTS

3,823,496 A	7/1974	Querci et al.	7,596,895 B2	10/2009	Jones
3,832,077 A	8/1974	Von Mehren	D614,206 S	4/2010	Ruvang
4,027,408 A	6/1977	Ramella et al.	7,739,814 B2	6/2010	Carpenter et al.
D251,431 S	3/1979	Klett et al.	7,762,015 B2	7/2010	Smith et al.
D252,461 S	7/1979	Korpi	D624,943 S	10/2010	Gibbon
4,182,057 A	1/1980	Klett et al.	8,122,621 B2	2/2012	Carpenter et al.
D255,119 S	5/1980	Korpi	8,191,291 B2	6/2012	Vanderpoorten et al.
4,231,173 A	11/1980	Davis	8,307,574 B2	11/2012	Ruvang
4,335,532 A	6/1982	Hahn et al.	8,327,563 B2	12/2012	Dingwall et al.
D274,434 S	6/1984	Nilsson	8,356,432 B2	1/2013	Carpenter
D275,859 S	10/1984	Nilsson	8,397,405 B2	3/2013	Harder et al.
4,481,728 A	11/1984	Mulder et al.	D706,307 S *	6/2014	Renski D15/28
4,516,340 A	5/1985	Lauder	D706,311 S	6/2014	Renski et al.
D296,442 S	6/1988	Broomhall	D706,312 S	6/2014	Renski et al.
4,761,900 A	8/1988	Emrich	D706,839 S	6/2014	Renski et al.
4,776,113 A	10/1988	Bedford et al.	D706,840 S	6/2014	Renski et al.
4,848,013 A	7/1989	Bowman et al.	D707,263 S	6/2014	Renski et al.
4,932,145 A	6/1990	Reeves	D707,264 S *	6/2014	Renski D15/29
4,949,481 A	8/1990	Fellner	8,844,175 B2	9/2014	Snyder
4,965,945 A	10/1990	Emrich	8,943,716 B2	2/2015	Renski et al.
4,980,980 A	1/1991	Schadov et al.	8,943,717 B2	2/2015	Renski et al.
5,018,283 A	5/1991	Fellner	D727,367 S *	4/2015	Renski D15/28
5,144,762 A	9/1992	Robinson	D727,368 S	4/2015	Renski et al.
D336,476 S	6/1993	Garman	D727,369 S *	4/2015	Renski D15/29
D339,592 S	9/1993	Johansson	D727,979 S	4/2015	Renski et al.
D345,364 S	3/1994	Robinson	D727,980 S	4/2015	Renski et al.
D352,044 S	11/1994	Hahn	D727,981 S	4/2015	Renski et al.
5,423,138 A	6/1995	Livesay et al.	D727,982 S	4/2015	Renski et al.
D365,577 S	12/1995	Ruvang	D728,635 S	5/2015	Kunz
5,561,925 A	10/1996	Livesay	D728,636 S	5/2015	Kunz
5,666,748 A	9/1997	Emrich et al.	D728,637 S	5/2015	Kunz
D385,286 S	10/1997	Moreno	9,057,177 B2	6/2015	Renski et al.
5,709,043 A	1/1998	Jones et al.	9,062,436 B2	6/2015	Renski et al.
D391,583 S	3/1998	Moreno	9,222,243 B2	12/2015	Cheyne et al.
D392,292 S	3/1998	Moreno	D748,679 S *	2/2016	Renski D15/28
D395,661 S	6/1998	Moreno	D748,681 S	2/2016	Renski et al.
5,806,216 A	9/1998	Renski	D748,682 S	2/2016	Renski et al.
D399,511 S	10/1998	Lauder et al.	D748,684 S	2/2016	Renski et al.
5,852,888 A	12/1998	Cornelius	D748,685 S	2/2016	Kunz
D408,422 S	4/1999	Moreno	D749,145 S	2/2016	Renski et al.
D410,657 S	6/1999	Lauder et al.	D749,146 S	2/2016	Renski et al.
D413,338 S	8/1999	Pueyo Molina	D749,147 S	2/2016	Kunz
5,937,550 A	8/1999	Emrich	9,309,651 B2	4/2016	Jeske et al.
D414,193 S	9/1999	Lauder et al.	D761,883 S	7/2016	Kunz
D415,173 S	10/1999	Zaun	D769,946 S	10/2016	Kunz
5,983,534 A	11/1999	Robinson et al.	D774,108 S	12/2016	Balan et al.
D417,877 S	12/1999	Lauder et al.	D774,109 S	12/2016	Balan et al.
6,032,390 A	3/2000	Bierwith	D774,110 S	12/2016	Balan et al.
D429,256 S	8/2000	Zaun	D774,564 S	12/2016	Balan et al.
D429,258 S	8/2000	Zaun	D774,565 S	12/2016	Balan et al.
6,321,471 B2	11/2001	Fernandez Muñoz et al.	D774,566 S	12/2016	Balan et al.
D454,891 S	3/2002	Ketting et al.	D774,567 S	12/2016	Balan et al.
H2020 H	5/2002	Kesavan et al.	D775,240 S	12/2016	Balan et al.
D460,464 S	7/2002	Ketting et al.	D775,241 S	12/2016	Balan et al.
D461,198 S	8/2002	Ketting et al.	D775,242 S	12/2016	Balan et al.
D461,832 S	8/2002	Ketting et al.	D775,243 S	12/2016	Balan et al.
6,477,796 B1	11/2002	Cornelius	D775,673 S	1/2017	Balan et al.
6,735,890 B2	5/2004	Carpenter et al.	D782,546 S	3/2017	Balan et al.
6,745,503 B1	6/2004	Moreno et al.	D784,424 S *	4/2017	Renski D15/29
6,766,602 B2	7/2004	Cox et al.	9,624,651 B2	4/2017	Renski et al.
D499,749 S	12/2004	Lauder et al.	9,644,347 B2	5/2017	Balan et al.
6,836,983 B2	1/2005	Moreno et al.	9,644,348 B2	5/2017	Balan et al.
6,865,828 B1	3/2005	Molino et al.	D790,601 S	6/2017	Balan et al.
6,871,426 B2 *	3/2005	Keech E02F 9/2825 37/456	D790,602 S	6/2017	Balan et al.
D505,137 S	5/2005	Steinlage et al.	D790,603 S	6/2017	Balan et al.
D512,078 S	11/2005	Poutre	D790,604 S	6/2017	Balan et al.
D527,029 S	8/2006	Lauder et al.	D790,605 S	6/2017	Balan et al.
7,100,315 B2	9/2006	Carpenter et al.	D790,606 S	6/2017	Balan et al.
7,168,193 B2	1/2007	Moreno et al.	D790,607 S	6/2017	Balan et al.
D552,632 S	10/2007	De Martiis	D801,397 S	10/2017	Balan et al.
7,299,570 B2	11/2007	Emrich et al.	D803,274 S	11/2017	Serrurier et al.
D560,232 S	1/2008	De Martiis	D803,275 S	11/2017	Serrurier et al.
7,367,144 B2	5/2008	Jones et al.	D803,897 S	11/2017	Serrurier et al.
7,451,558 B2	11/2008	Jones	D803,898 S	11/2017	Serrurier et al.
			D803,899 S	11/2017	Serrurier et al.
			D803,900 S	11/2017	Serrurier et al.
			D803,901 S	11/2017	Serrurier et al.
			D803,902 S	11/2017	Serrurier et al.
			D805,112 S	12/2017	Serrurier et al.

(56)

References Cited

U.S. PATENT DOCUMENTS

D805,562 S * 12/2017 Serrurier D15/29
 D806,139 S 12/2017 Serrurier et al.
 D806,140 S * 12/2017 Serrurier D15/29
 D806,141 S * 12/2017 Serrurier D15/29
 D806,142 S * 12/2017 Serrurier D15/29
 D806,758 S 1/2018 Serrurier et al.
 D806,759 S 1/2018 Serrurier et al.
 9,976,287 B2 5/2018 Kunz
 D832,310 S * 10/2018 Balan D15/29
 10,119,252 B2 11/2018 Campomanes
 D840,441 S * 2/2019 Serrurier D15/29
 D842,345 S 3/2019 Kunz
 D842,347 S 3/2019 Bjerke et al.
 D857,761 S * 8/2019 Balan D15/29
 D857,762 S 8/2019 Kunz
 D888,785 S 6/2020 Sinn et al.
 D894,970 S 9/2020 Wells et al.
 D894,972 S 9/2020 Sinn et al.
 D905,763 S * 12/2020 Sinn D15/28
 D905,764 S * 12/2020 Sinn D15/28
 D925,616 S * 7/2021 Sinn D15/29
 2004/0010949 A1 1/2004 Laguarda et al.
 2005/0050775 A1 3/2005 Clendenning et al.
 2008/0028644 A1 2/2008 Almendros et al.
 2011/0000109 A1 1/2011 Woerman et al.
 2012/0131821 A1 5/2012 Brufau Guinovart et al.
 2012/0260540 A1 10/2012 Guimaraes et al.
 2012/0297649 A1 11/2012 Gomar
 2013/0086825 A1 4/2013 Renski et al.
 2013/0185964 A1 7/2013 Anisy et al.
 2013/0333254 A1 12/2013 Wallis et al.
 2014/0082976 A1 3/2014 Vicq et al.
 2014/0173948 A1 6/2014 Ok et al.
 2014/0259806 A1 9/2014 Rimmey
 2014/0259808 A1 9/2014 LaHood et al.
 2014/0352182 A1 12/2014 LaHood et al.
 2015/0167278 A1 6/2015 Rivera et al.
 2016/0083935 A1 3/2016 Edmonds
 2016/0160475 A1 6/2016 Kunz
 2017/0328036 A1 11/2017 Bilal et al.
 2017/0328038 A1 11/2017 Campomanes et al.
 2018/0080200 A1 3/2018 Hughes
 2018/0171601 A1 6/2018 Serrurier et al.
 2020/0157765 A1 5/2020 Sinn et al.
 2020/0157776 A1 5/2020 Sinn et al.
 2020/0157777 A1 5/2020 Sinn et al.
 2020/0157778 A1 5/2020 Sinn et al.
 2020/0157779 A1 5/2020 Sinn et al.
 2020/0157780 A1 5/2020 Sinn et al.
 2020/0340216 A1 10/2020 McCaffrey et al.
 2020/0340217 A1 10/2020 McCaffrey et al.
 2020/0340218 A1 10/2020 Wells et al.
 2020/0340219 A1 10/2020 Wells et al.

FOREIGN PATENT DOCUMENTS

AU 340513 1/2012
 AU 201914830 10/2019
 BR 302019004076-0 10/2019
 BR 302019004081-6 10/2019
 CL 2068-1995 10/1996
 CL 391-1998 11/1998
 CL 1193-1999 9/1999
 CL 223-1999 11/1999
 CL 1457-1999 11/1999
 CL 1583-1999 6/2000
 CL 2671-2005 7/2006
 CL 3115-2005 9/2006

CL 3116-2005 9/2006
 CL 173-2008 8/2008
 CL 174-2008 8/2008
 CL 2524-2008 1/2009
 CL 1764-2008 7/2009
 CL 618-2010 11/2010
 CL 739-2010 12/2010
 CL 291-2012 11/2012
 CN 3462432 7/2005
 CN ZL201930443214.X 4/2020
 CN ZL201930443291.5 4/2020
 EM 000089099-0001-0003 10/2003
 EM 000877477-0001-0009 1/2008
 EM 000895396-0001-0015 3/2008
 EM 004427623-0001 11/2017
 EM 006816690-0001 9/2019
 EM 006817730-0001 9/2019
 EP 0 411 486 A1 2/1991
 EP 1 174 547 B1 8/2006
 EP 2 011 927 A2 1/2009
 GB 1049195 3/1988
 GB 1050103 4/1988
 GB 2010025 4/1990
 GB 2010026 4/1990
 GB 2057051 12/1995
 GB 2057052 12/1995
 GB 2057053 12/1995
 GB 2060104 4/1996
 GB 2060105 4/1996
 GB 2057055 5/1996
 GB 2091441 10/1999
 GB 2091502 10/1999
 GB 2095654 3/2000
 GB 2097590 3/2000
 GB 2097591 4/2000
 GB 2097592 4/2000
 GB 2097593 5/2000
 GB 2104929 3/2001
 GB 2106421 4/2001
 ID A00201902880 8/2020
 ID A00201902881 8/2020
 IN 320721-001 9/2019
 IN 320630-002 8/2020
 MX f/2019/002478 11/2019
 MX f/2019/002480 11/2019
 PE 5609 12/2019
 PE 5611 12/2019
 RU 106076 12/2017
 RU 121029 8/2020
 RU 121031 8/2020
 WO 2015/165505 11/2015

OTHER PUBLICATIONS

U.S. Appl. No. 29/743,807, filed Jul. 24, 2020 (unpublished).
 U.S. Appl. No. 29/744,293, filed Jul. 28, 2020 (unpublished).
 U.S. Appl. No. 16/951,186, filed Nov. 18, 2020 (unpublished).
 U.S. Appl. No. 16/951,231, filed Nov. 18, 2020 (unpublished).
 U.S. Appl. No. 16/951,630, filed Nov. 18, 2020 (unpublished).
 U.S. Appl. No. 29/758,751, filed Nov. 18, 2020 (unpublished).
 Caterpillar Inc., Cat® K Series™ Tooth Systems, brochure (4 pages), 2006.
 Caterpillar Inc., “Cat Backhoe Loader Options,” published Jan. 1, 2005.
 Caterpillar Inc., Cat® Advansys™ Tips and Adapters, brochure (4 pages), 2017.
 U.S. Appl. No. 29/682,763, titled “Adapter for a Ground Engaging Machine Implement”, filed Mar. 7, 2019. (Unpublished).

* cited by examiner

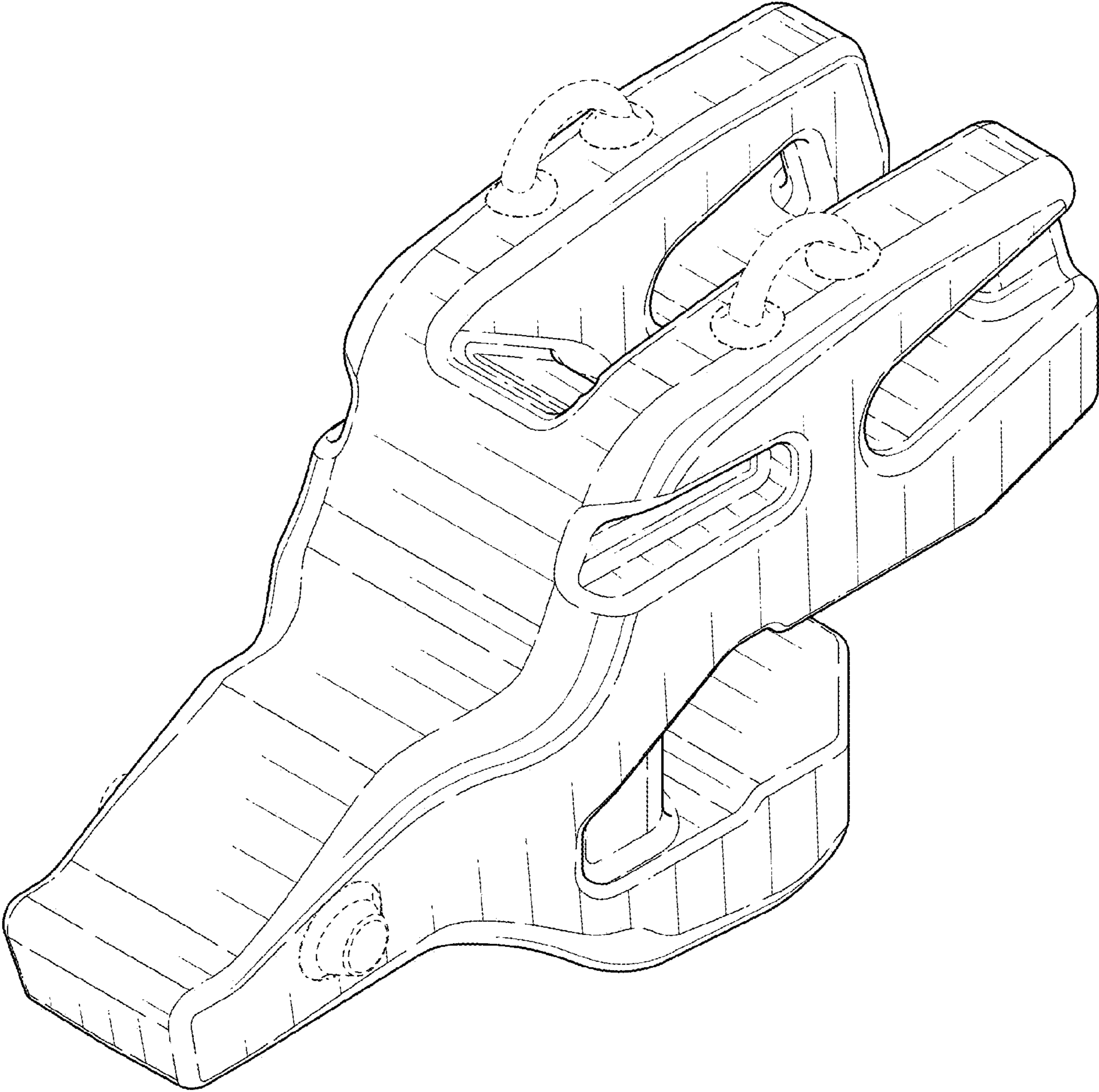


FIG. 1

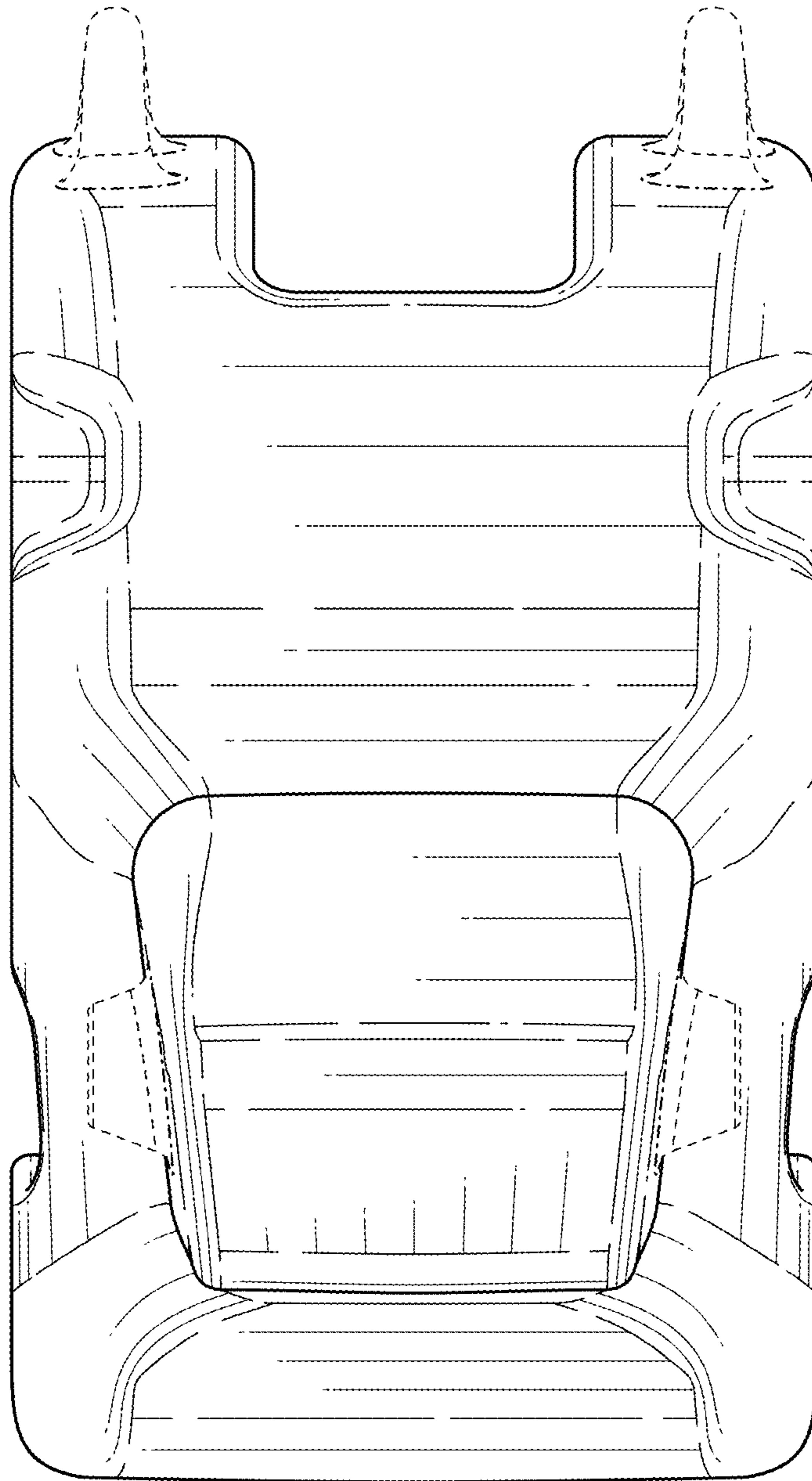


FIG. 2

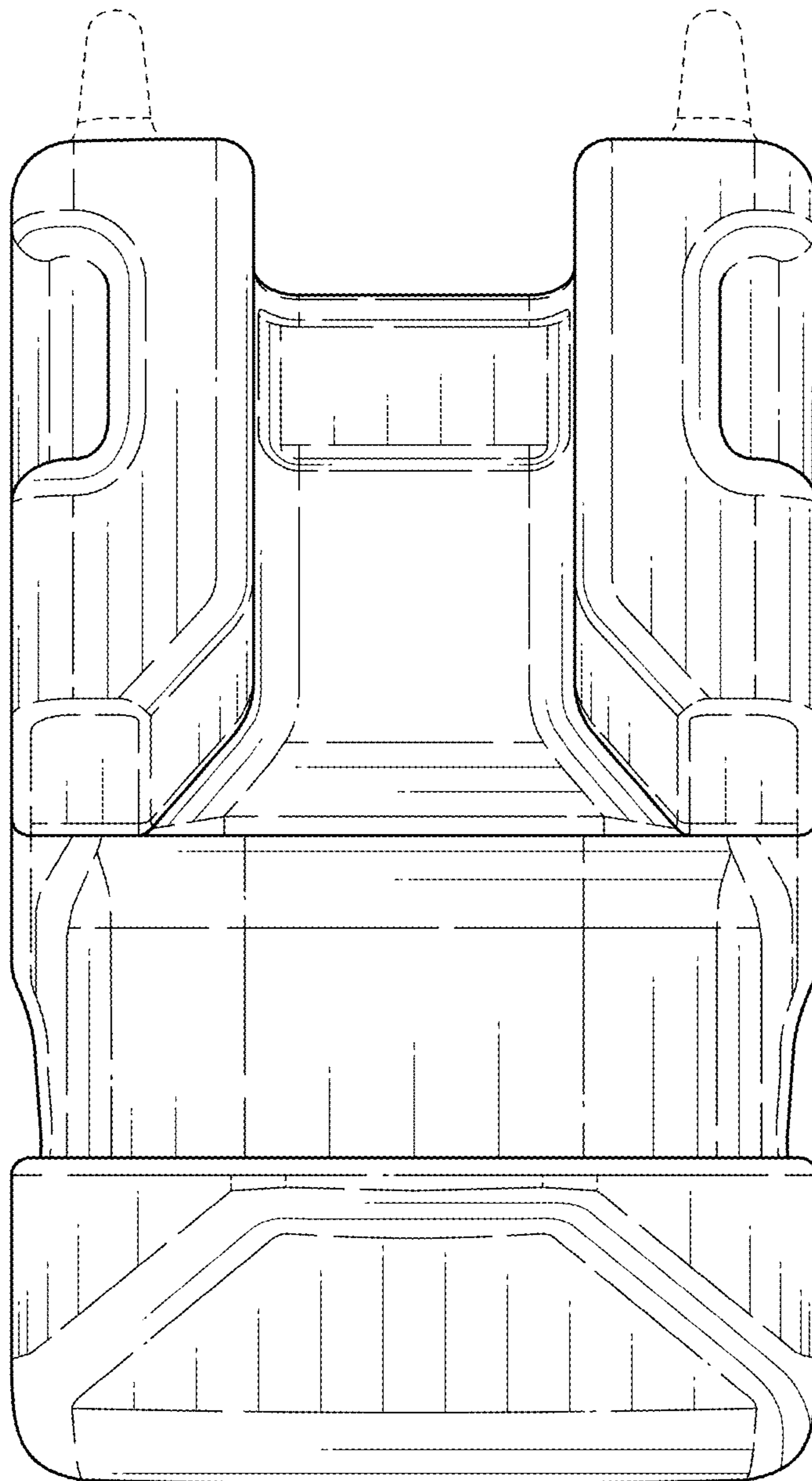


FIG. 3

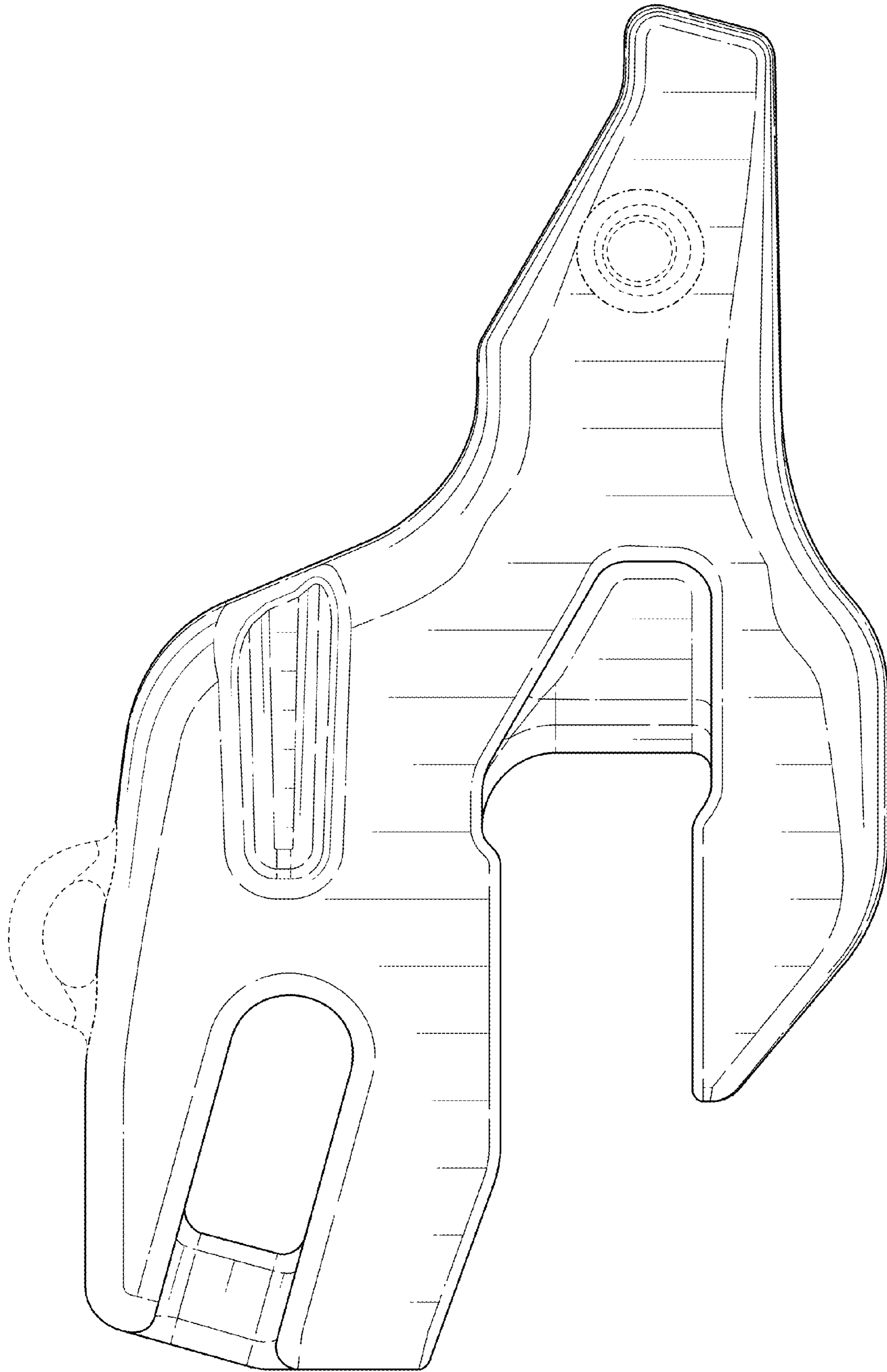


FIG. 4

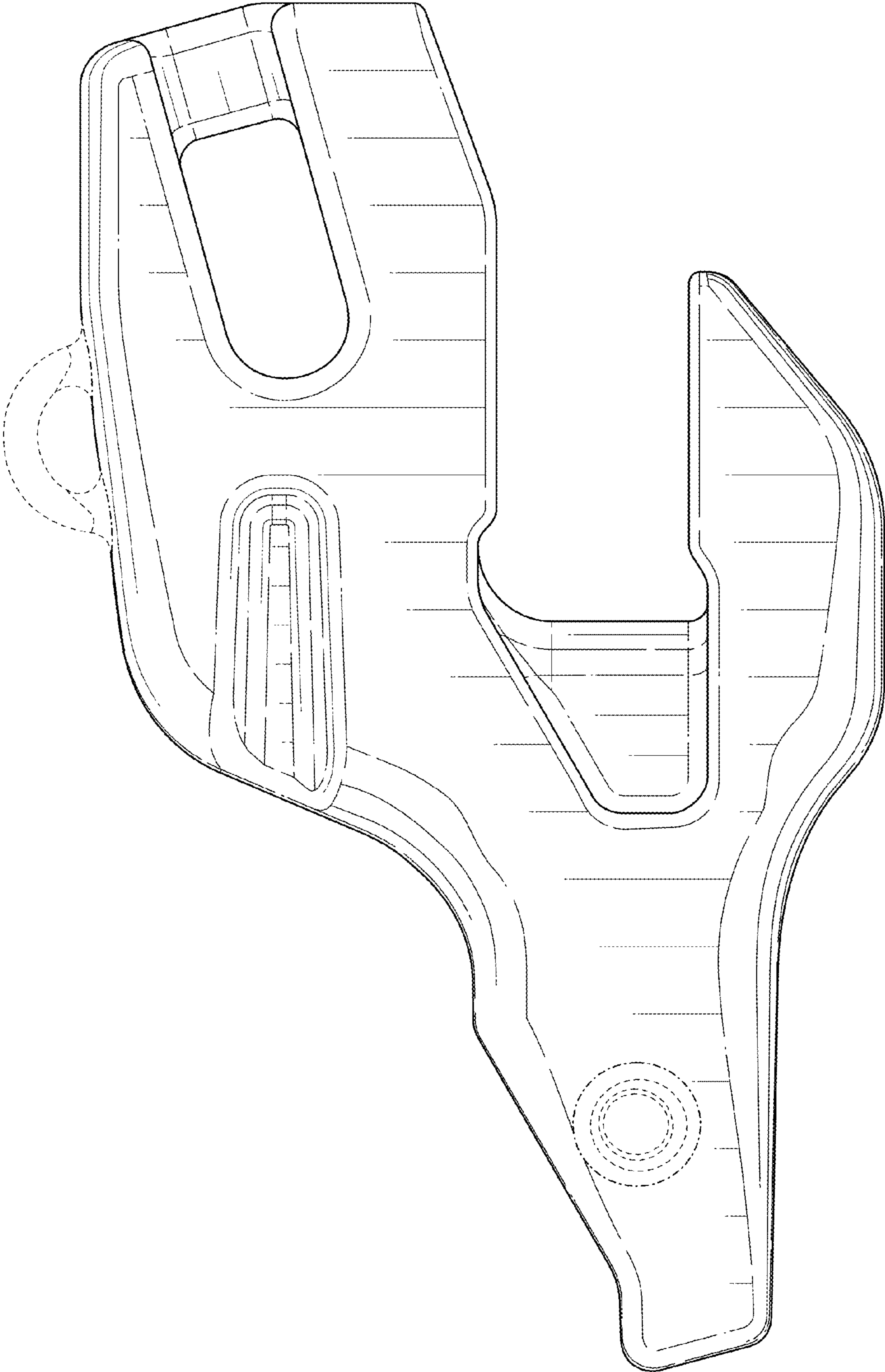


FIG. 5

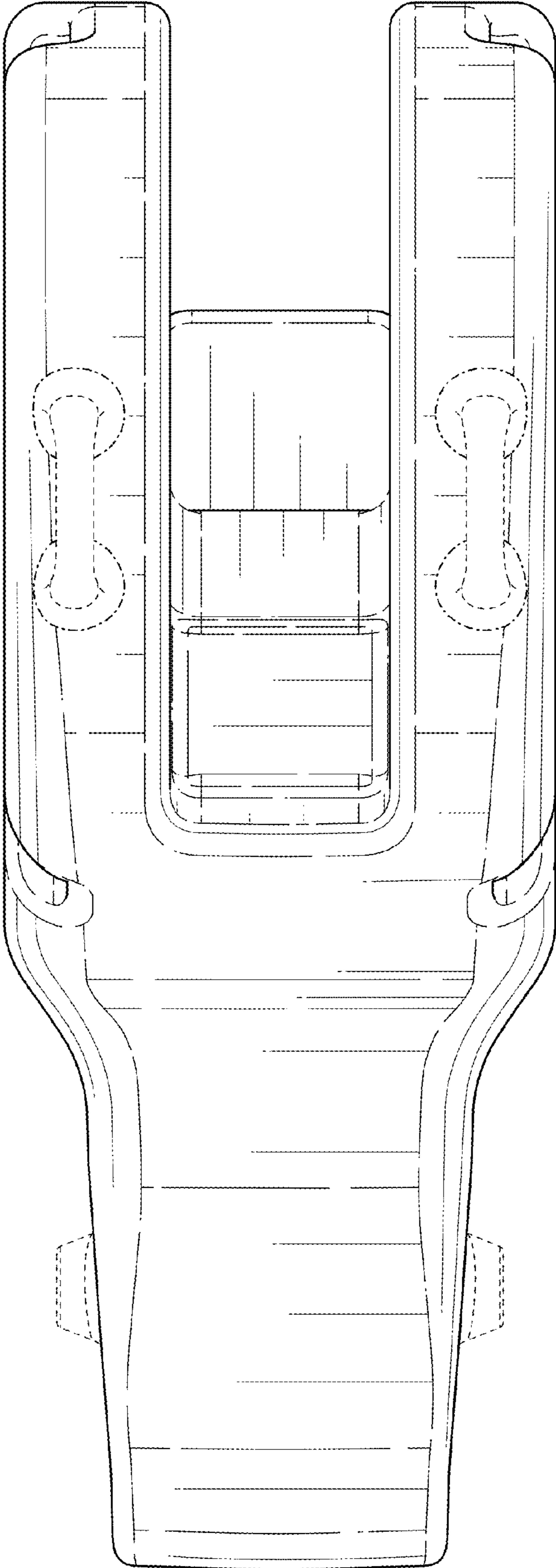


FIG. 6

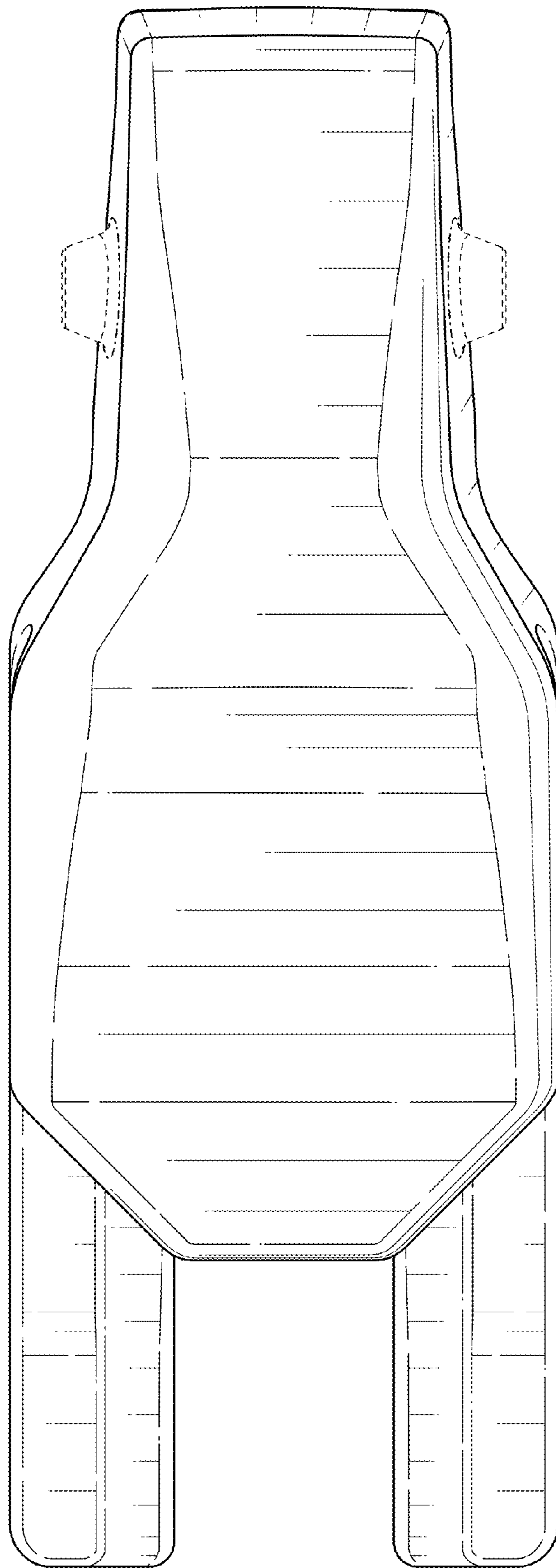


FIG. 7