



US00D945492S

(12) **United States Design Patent** (10) **Patent No.:** **US D945,492 S**  
**Cui et al.** (45) **Date of Patent:** **\*\* Mar. 8, 2022**

(54) **ROAD ROLLER**

(56) **References Cited**

(71) Applicants: **JIANGSU XCMG CONSTRUCTION MACHINERY RESEARCH INSTITUTE LTD.**, Jiangsu (CN); **XCMG CONSTRUCTION MACHINERY CO., LTD. ROAD MACHINERY BRANCH**, Jiangsu (CN)

U.S. PATENT DOCUMENTS

D396,431 S	*	7/1998	Lindgren	.....	D12/14
D516,094 S	*	2/2006	Dotsch	.....	D15/20
D611,505 S	*	3/2010	Loew	.....	D15/20
D611,506 S	*	3/2010	Loew	.....	D15/20
D668,269 S	*	10/2012	Tezuka	.....	D15/20
D694,278 S	*	11/2013	Ewringmann	.....	D15/20
D744,543 S	*	12/2015	Loew	.....	D15/20
D745,063 S	*	12/2015	Loew	.....	D15/20
D749,142 S	*	2/2016	Erdmann	.....	D15/20
D749,143 S	*	2/2016	Erdmann	.....	D15/20
D765,735 S	*	9/2016	Roemer	.....	D15/20
D789,424 S	*	6/2017	Roemer	.....	D15/20
D800,793 S	*	10/2017	Loew	.....	D15/20
D819,704 S	*	6/2018	Loew	.....	D15/20
D853,450 S	*	7/2019	Loew	.....	D15/20

(72) Inventors: **Jisheng Cui**, Jiangsu (CN); **Xuemei Zong**, Jiangsu (CN); **Yilin Lu**, Jiangsu (CN); **Zhiyao Zan**, Jiangsu (CN)

\* cited by examiner

(73) Assignees: **Jiangsu Xcmg Construction Machinery Research Institute Ltd.**, Jiangsu (CN); **Xcmg Construction Machinery Co., Ltd. Road Machinery Branch**, Jiangsu (CN)

*Primary Examiner* — Mark A Goodwin

(74) *Attorney, Agent, or Firm* — Merchant & Gould P.C.

(\*\*) Term: **15 Years**

(57) **CLAIM**

The ornamental design for road roller, as shown and described.

(21) Appl. No.: **29/744,803**

**DESCRIPTION**

(22) Filed: **Jul. 31, 2020**

(51) **LOC (13) Cl.** ..... **15-03**

(52) **U.S. Cl.**  
USPC ..... **D15/20**

(58) **Field of Classification Search**  
USPC ..... D15/10, 20, 22-26, 28, 30, 33; 180/20, 180/89.12; 280/104, 124.11; 404/122, 404/132, 125, 90  
CPC ..... E02D 3/026; E02D 3/00; E02D 3/074; B30B 15/00; E01C 19/27; E01C 19/41; E01C 19/22; E01C 19/38; E01C 19/286; E01C 19/4853; E01C 19/238

FIG. 1 is a front perspective view of a road roller showing our design thereof;

FIG. 2 is a back perspective view;

FIG. 3 is a front view;

FIG. 4 is a rear view;

FIG. 5 is a top view;

FIG. 6 is a bottom view;

FIG. 7 is a left side view; and,

FIG. 8 is a right side view thereof.

The broken line showing of the bottom elements in FIG. 6 is included for the purpose of illustrating portions of a road roller and forms no part of the claimed design.

See application file for complete search history.

**1 Claim, 8 Drawing Sheets**

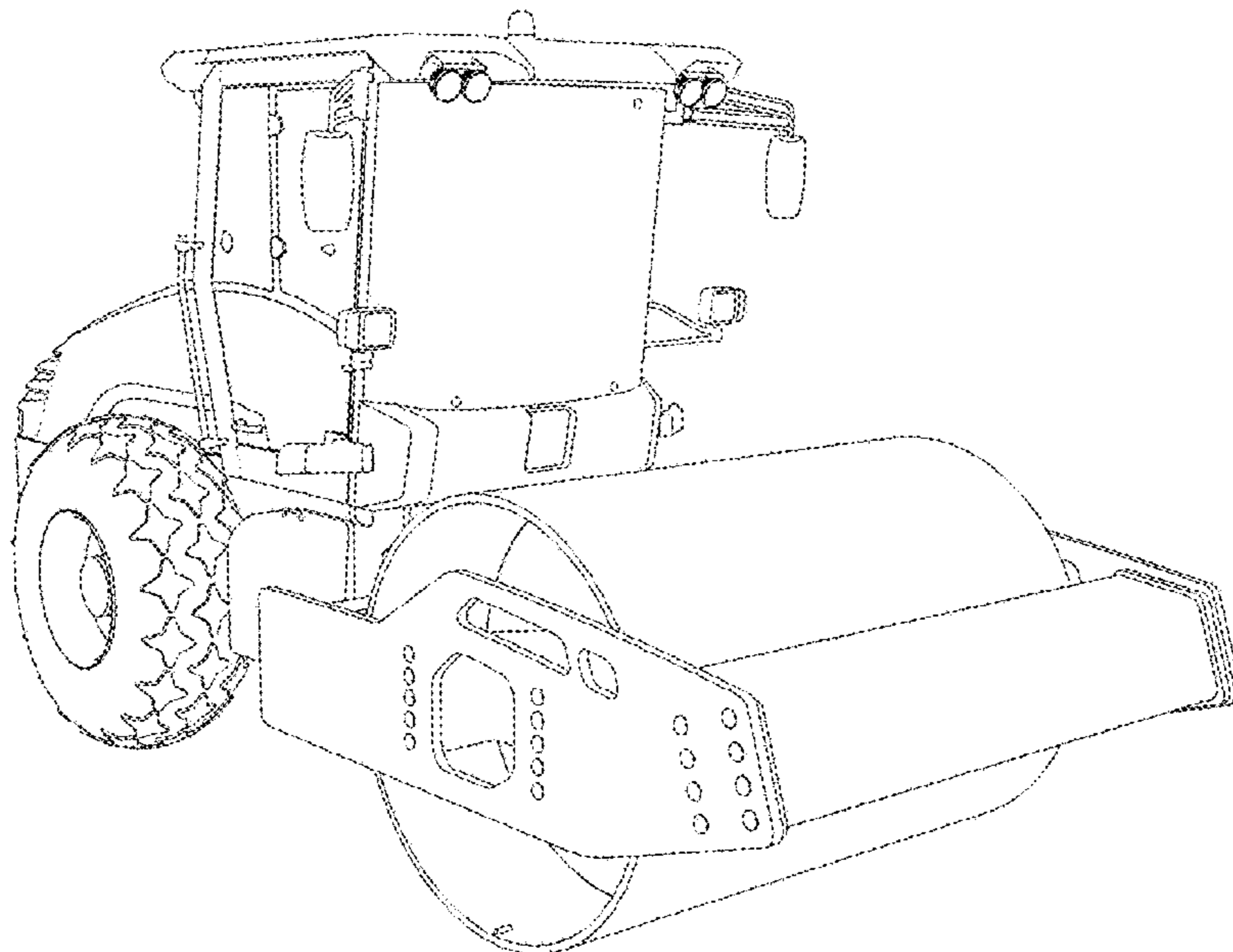


FIG. 1

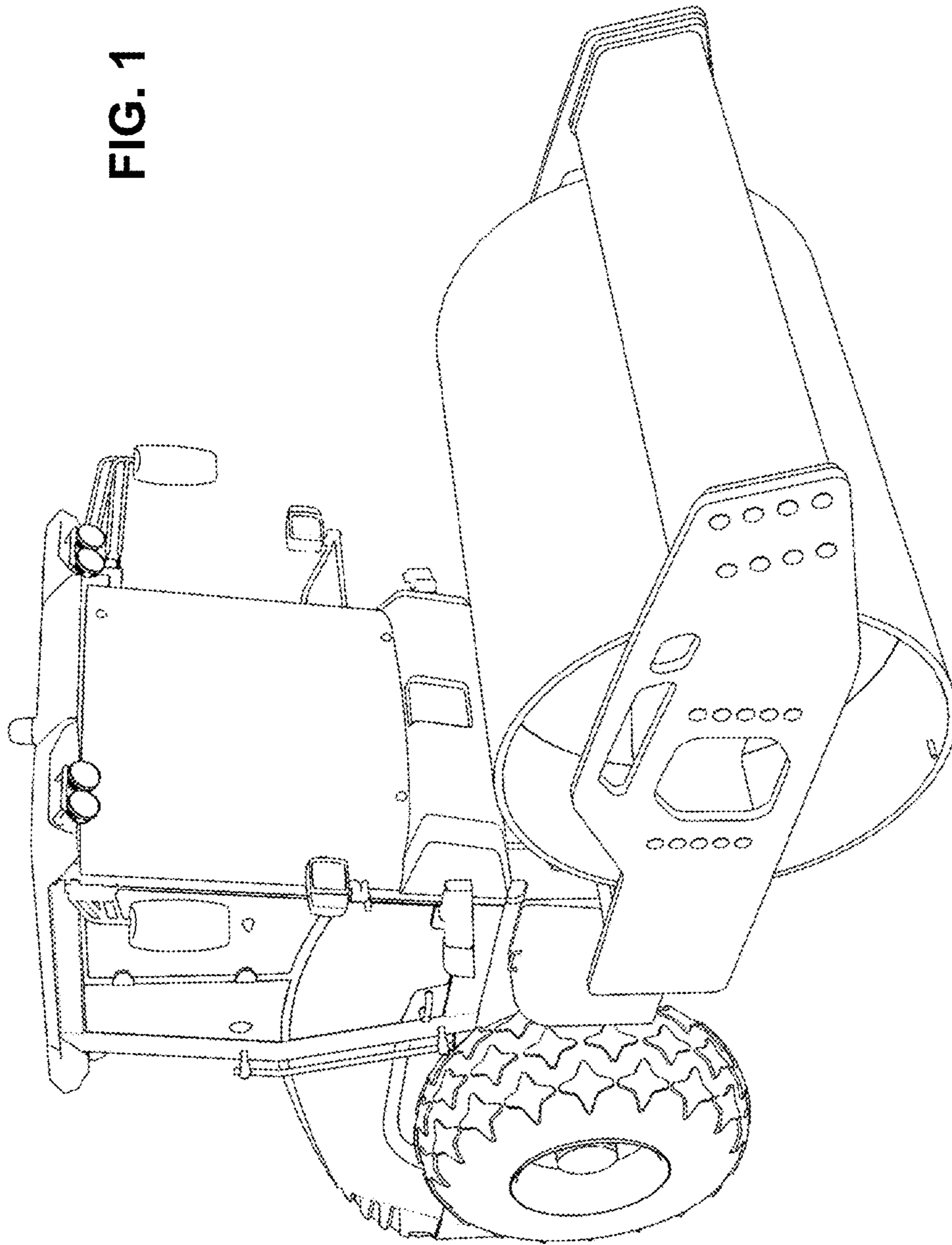


FIG. 2

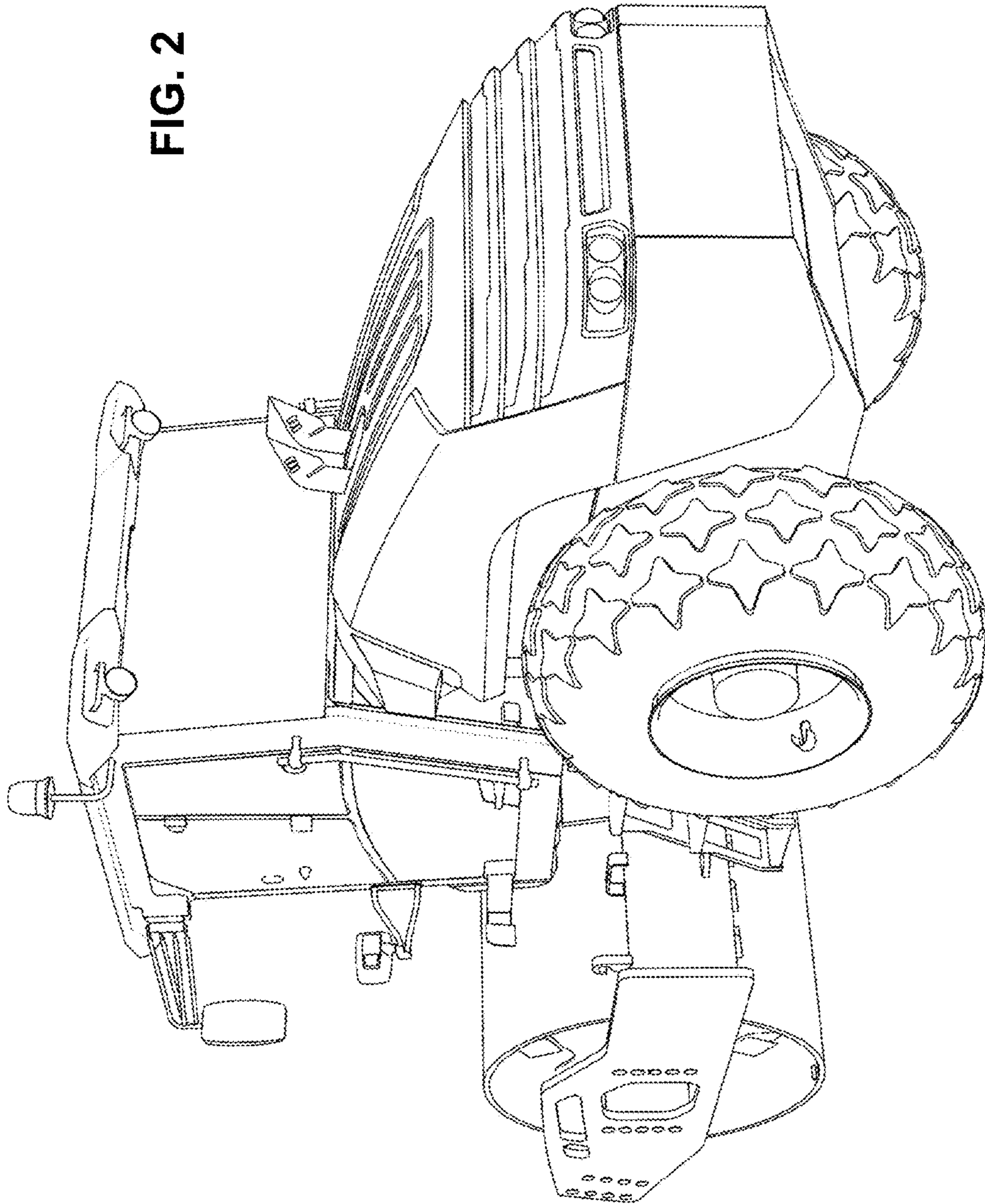


FIG. 3

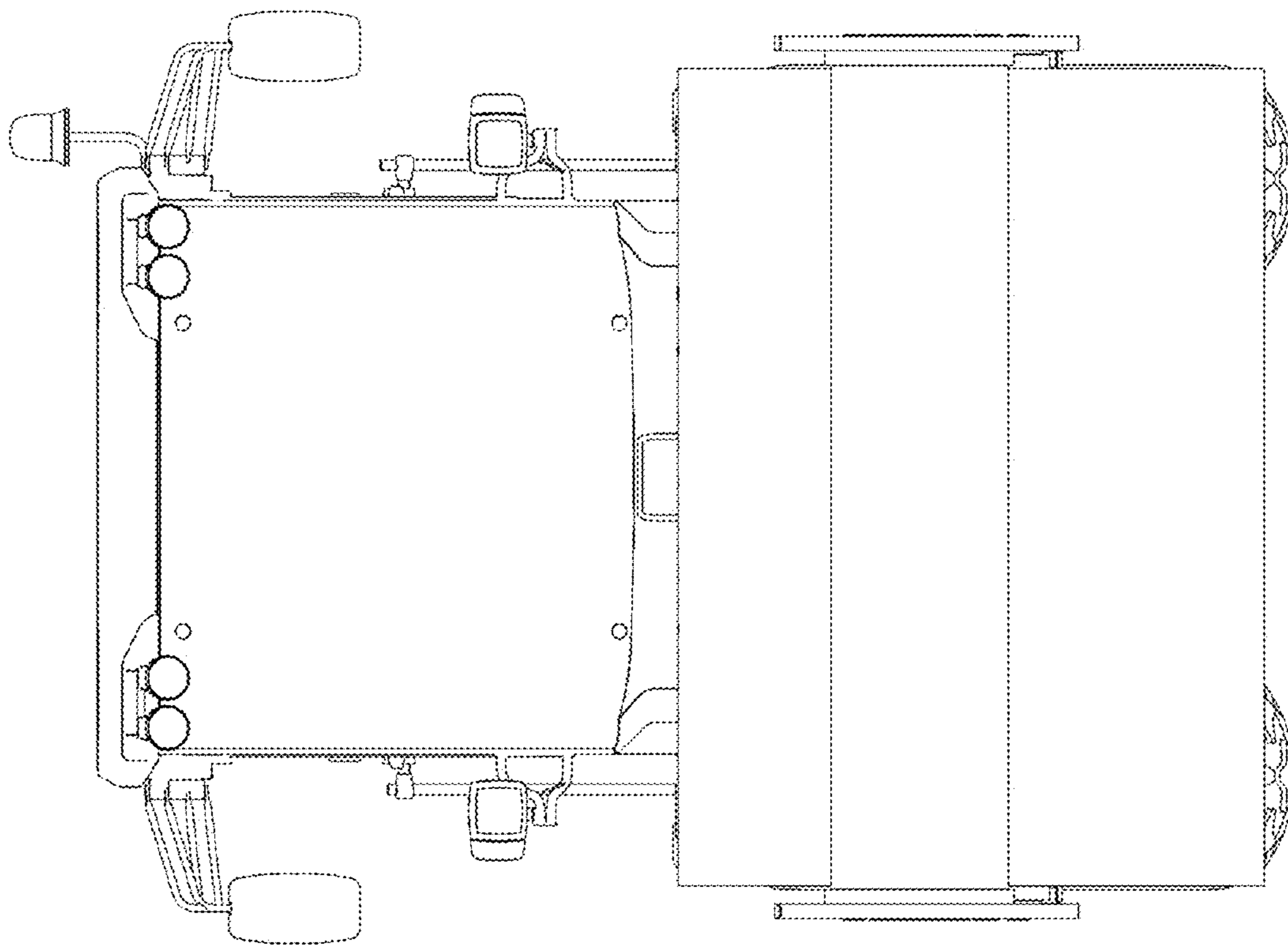


FIG. 4

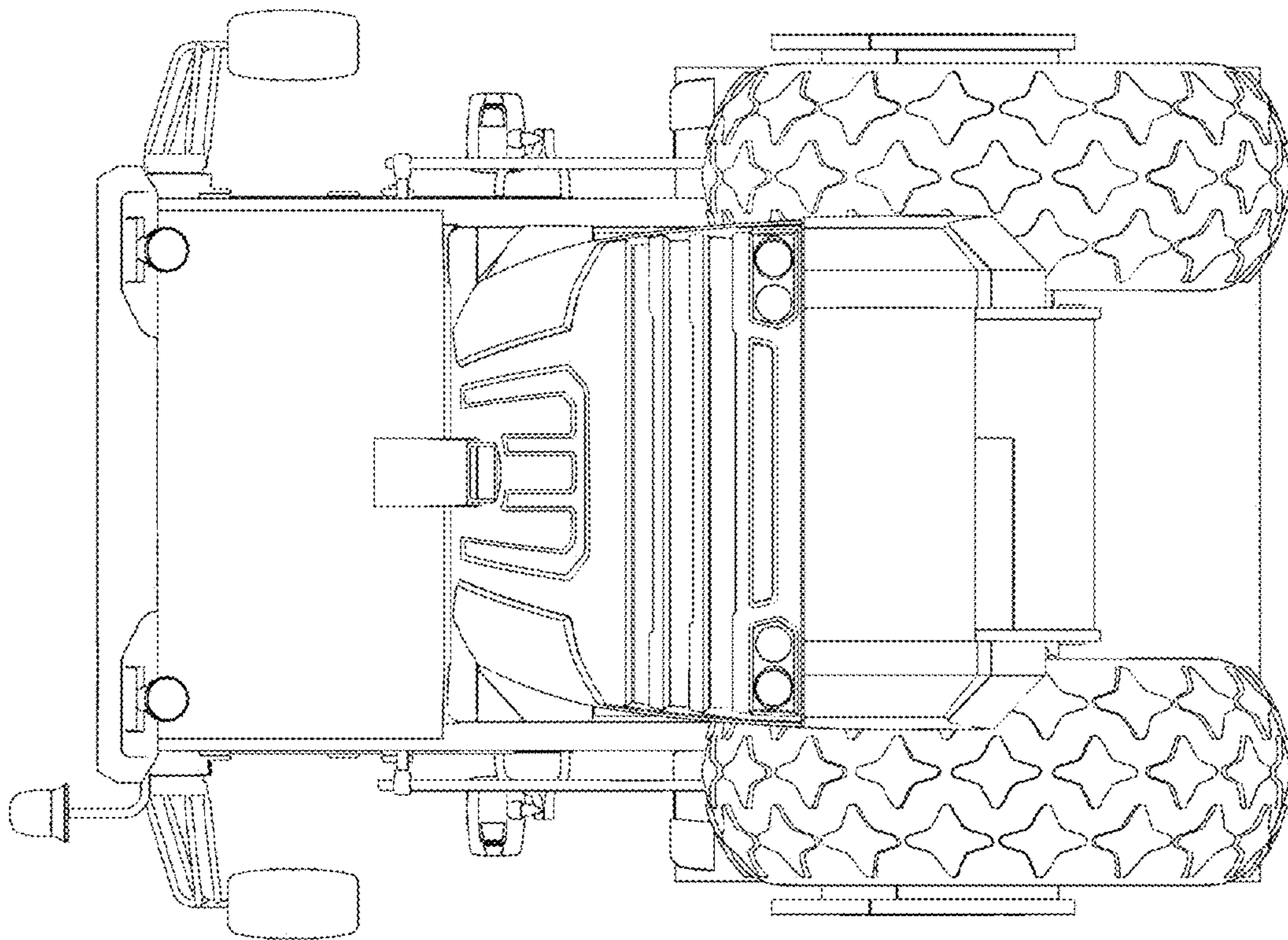


FIG. 5

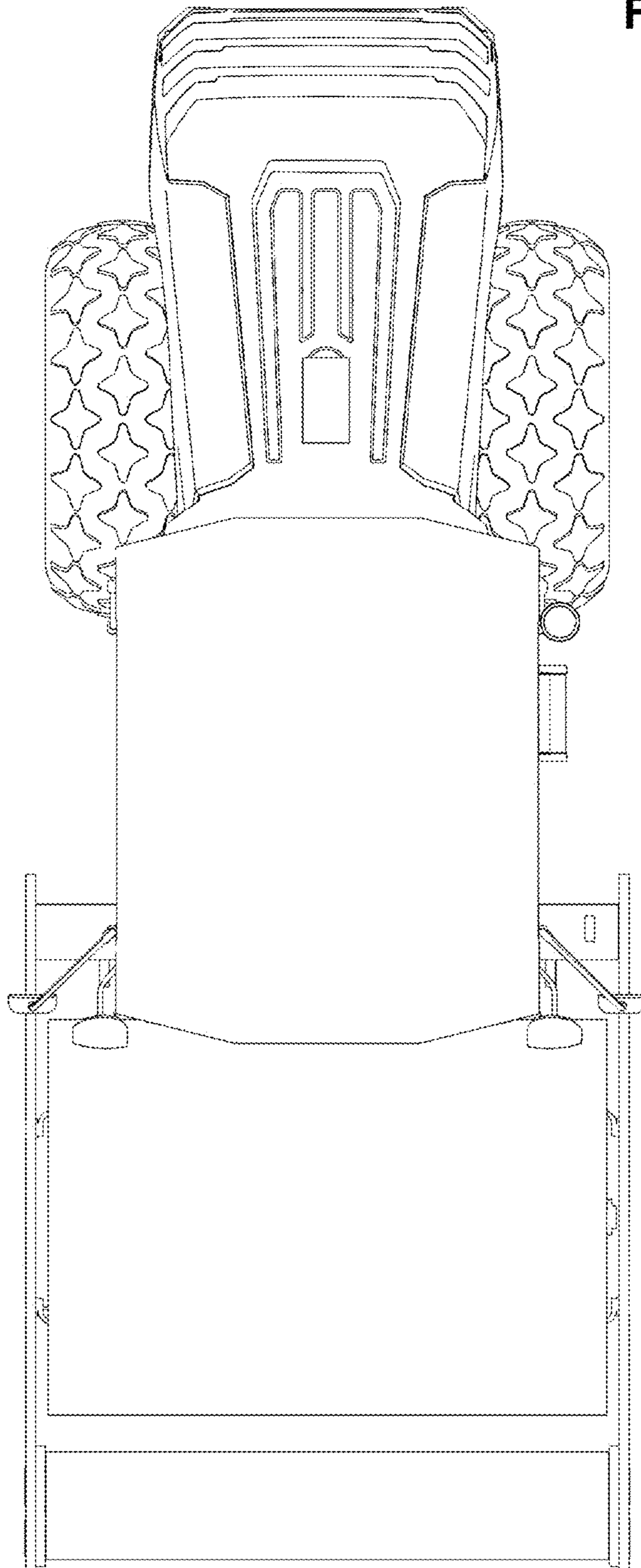


FIG. 6

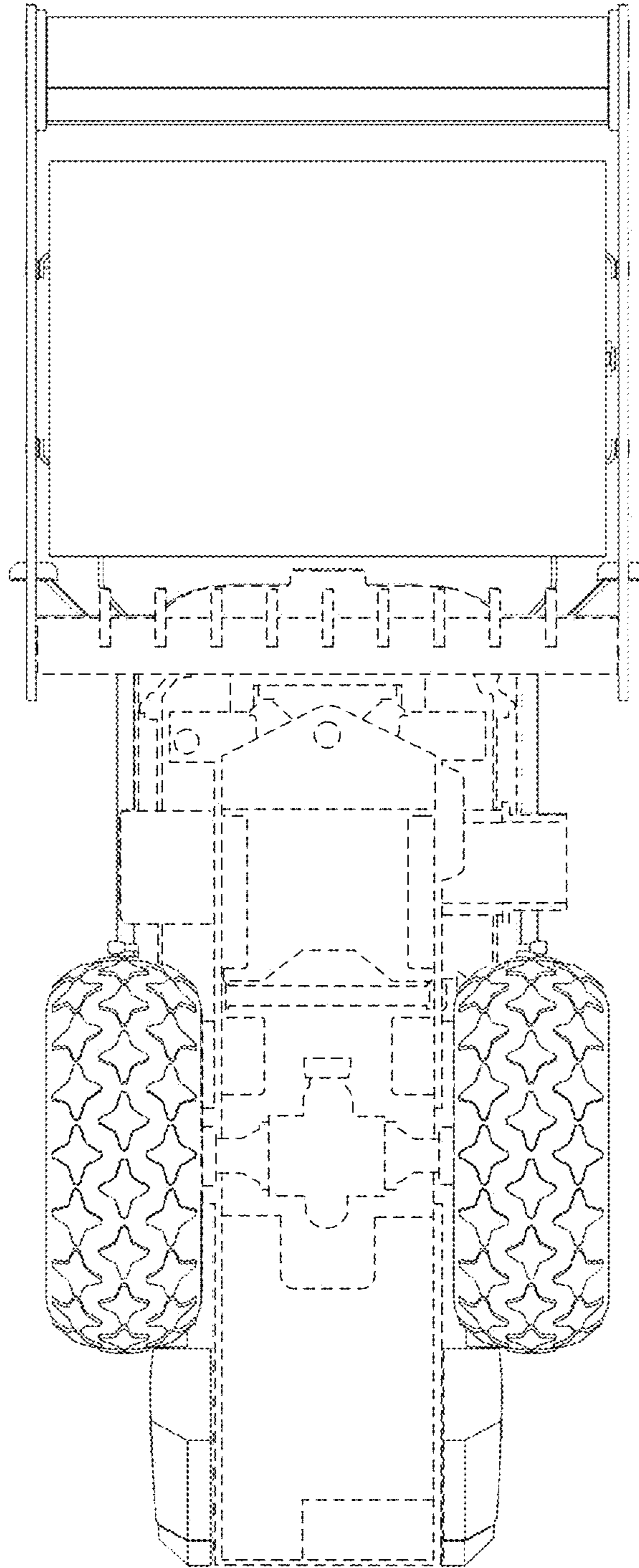


FIG. 7

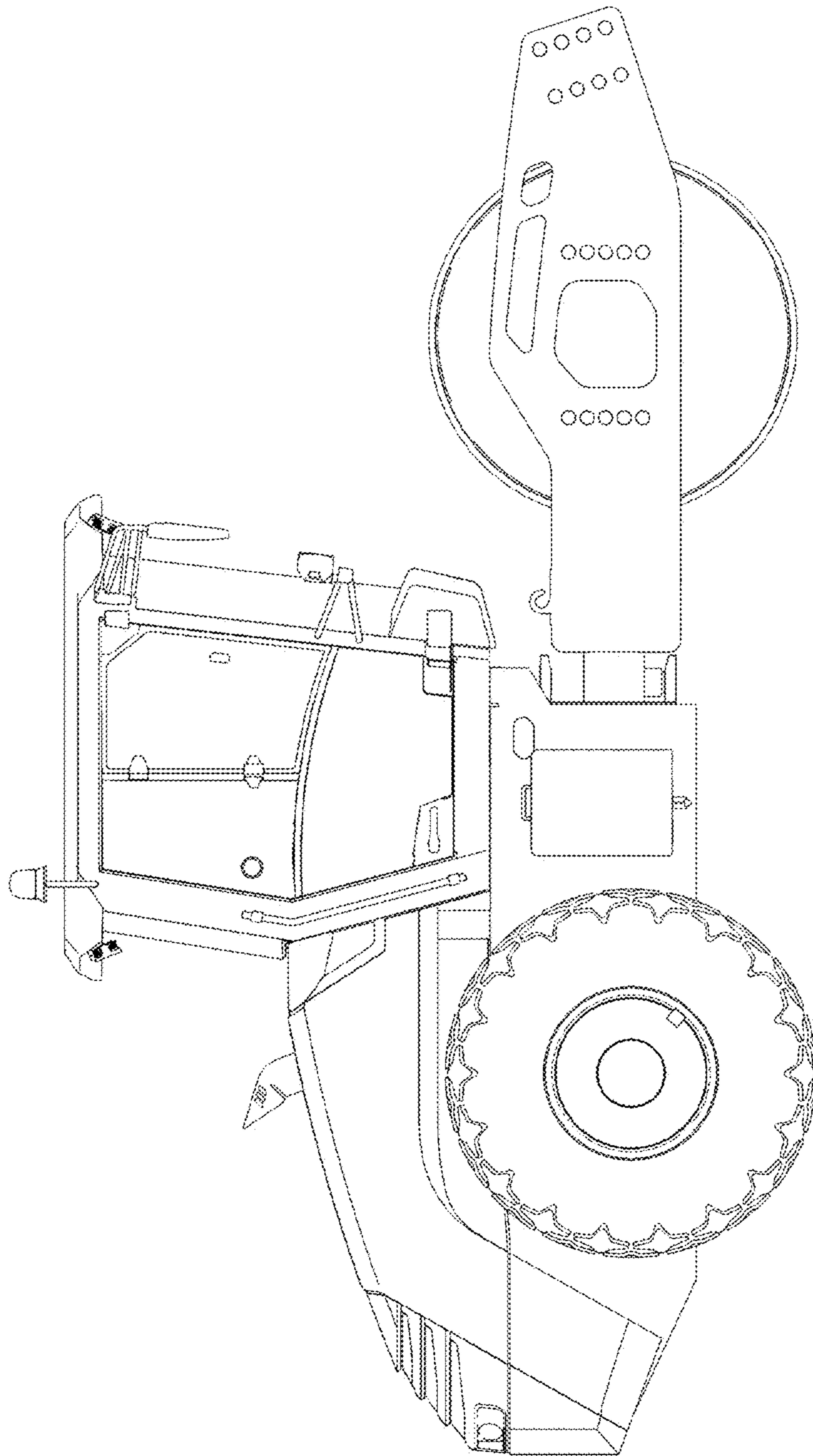




FIG. 8

