



US00D945491S

(12) **United States Design Patent** (10) **Patent No.:** **US D945,491 S**
Dvorak et al. (45) **Date of Patent:** **** Mar. 8, 2022**

(54) **COVER PLATE**

- (71) Applicant: **DANFOSS POWER SOLUTIONS INC.**, Ames, IA (US)
- (72) Inventors: **Charlie Dvorak**, Nordborg (DK); **Wondimagegn Diress**, Nordborg (DK); **Pavol Balco**, Nordborg (DK); **Jeffrey C. Hansell**, Nordborg (DK)
- (73) Assignee: **Danfoss Power Solutions Inc.**, Ames, IA (US)
- (**) Term: **15 Years**
- (21) Appl. No.: **29/716,509**
- (22) Filed: **Dec. 10, 2019**

Related U.S. Application Data

- (63) Continuation of application No. 16/705,972, filed on Dec. 6, 2019.
- (51) **LOC (13) Cl.** **15-02**
- (52) **U.S. Cl.**
USPC **D15/7; D8/366**
- (58) **Field of Classification Search**
USPC D8/354, 366, 371, 372, 367, 374, 373, D8/376, 375, 16, 19, 45, 380, 381, 394, D8/71; D15/5, 7; D13/122
CPC F01D 5/082; F01D 5/3015; F04C 2/16; F04D 29/40; F04D 29/445; F04D 29/708; F04D 7/04; F05D 2250/15; F16D 25/0638; F16D 25/12; H02K 17/08; H02K 5/00; H02K 5/02; H02K 5/22; H02K 9/06; Y10T 29/49012

See application file for complete search history.

(56) **References Cited**

U.S. PATENT DOCUMENTS

D243,714 S *	3/1977	Younger	D15/5
D283,425 S *	4/1986	Bingler	D15/7
D862,979 S *	10/2019	Bryson	D7/397
D875,141 S *	2/2020	Nishida	D15/7
D875,787 S *	2/2020	Kamio	D15/7
D890,212 S *	7/2020	Green	D15/7

* cited by examiner

Primary Examiner — Eliza Z Bennett-Hattan

(74) *Attorney, Agent, or Firm* — Zarley Law Firm, P.L.C.

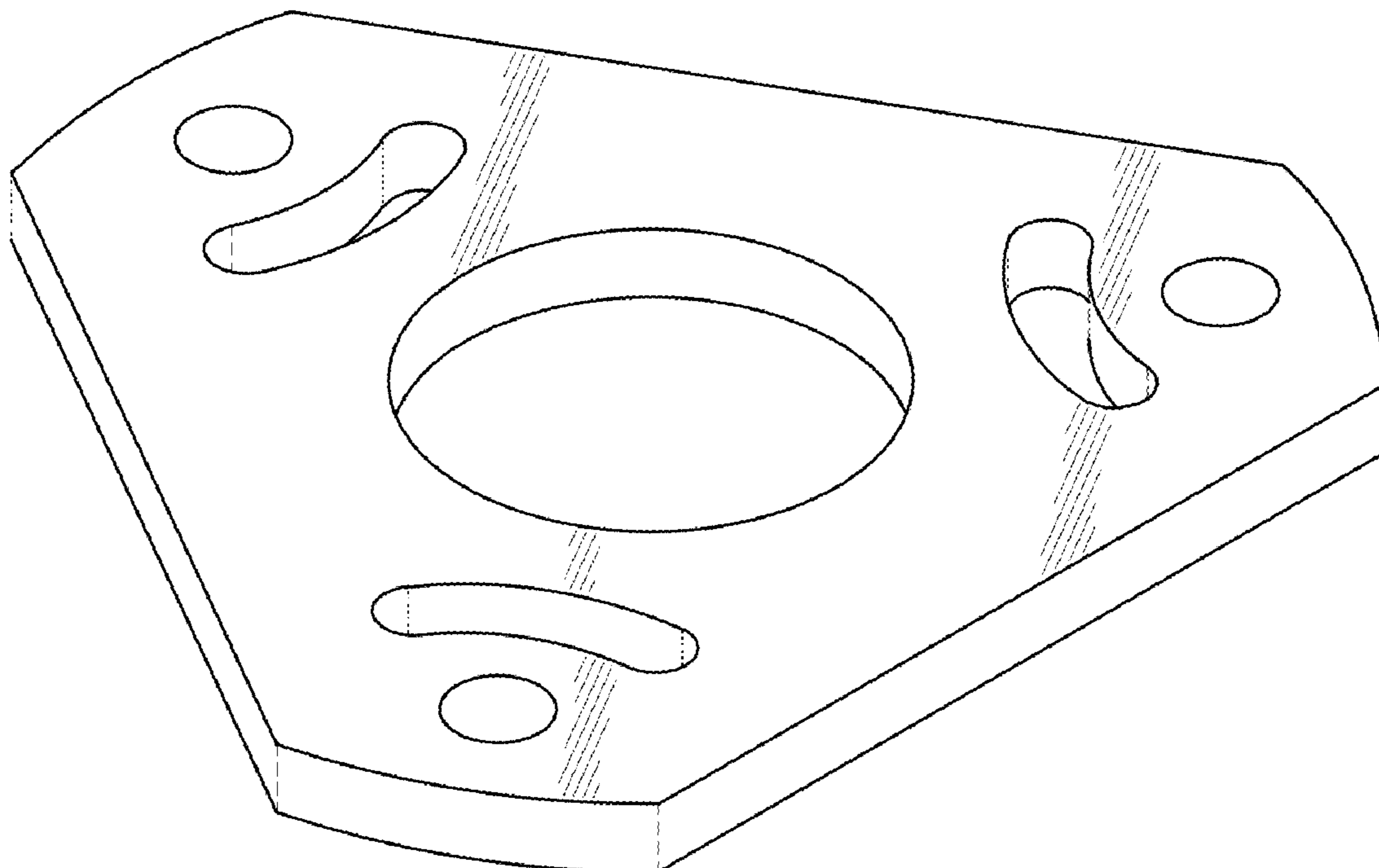
(57) **CLAIM**

The ornamental design for a cover plate, as shown and described.

DESCRIPTION

FIG. 1 is a top perspective view of a cover plate;
 FIG. 2 is a front view of a cover plate;
 FIG. 3 is a back view of a cover plate;
 FIG. 4 is a right side view of a cover plate;
 FIG. 5 is a left side view of a cover plate;
 FIG. 6 is a top view of a cover plate; and,
 FIG. 7 is a bottom view of a cover plate.
 The broken lines showing portions of the design in all figures is included for the purpose of illustrating environment and unclaimed features and forms not part of the claimed design.

1 Claim, 7 Drawing Sheets



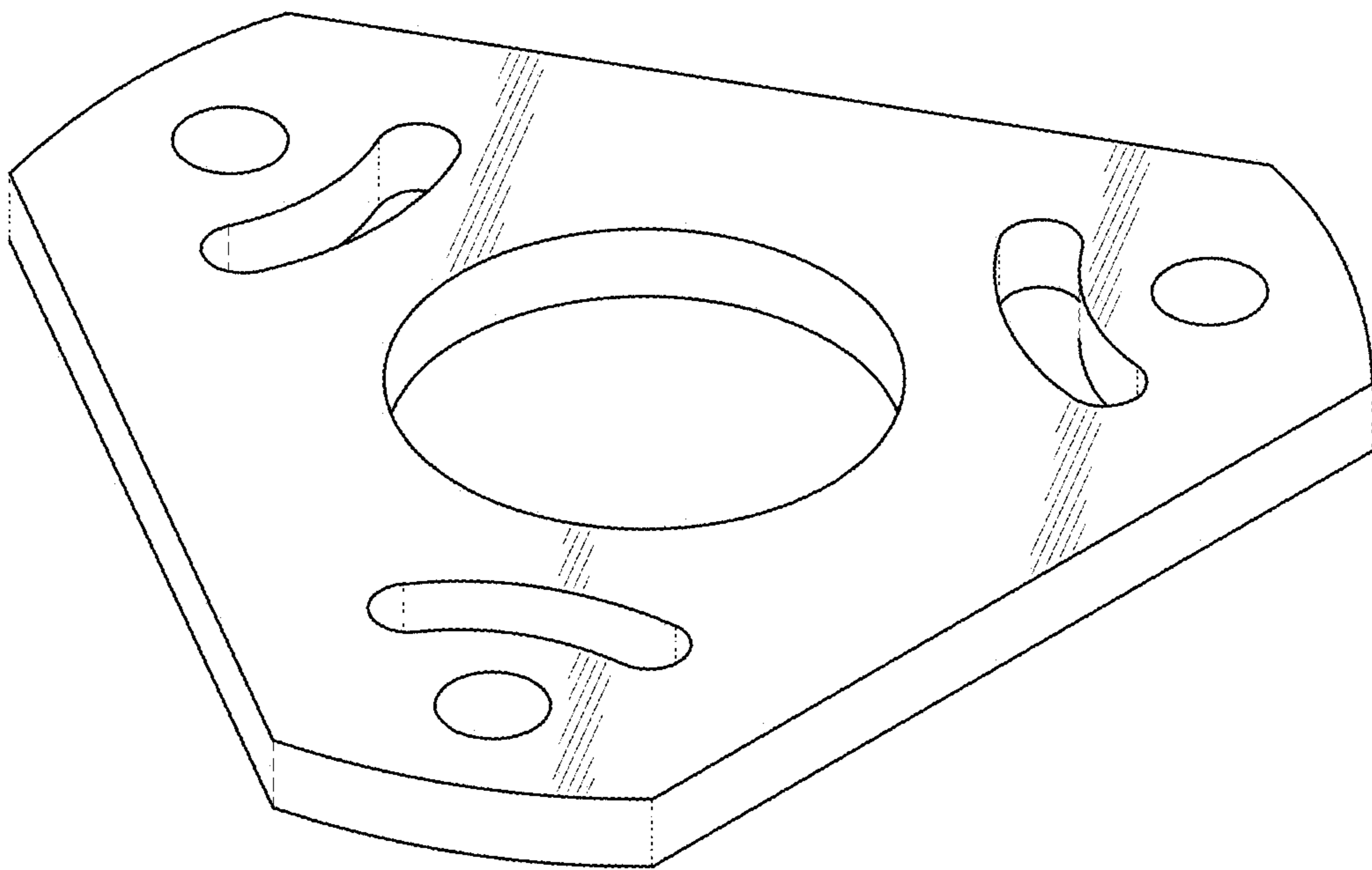


FIG. 1



FIG. 2



FIG. 3



FIG. 4



FIG. 5

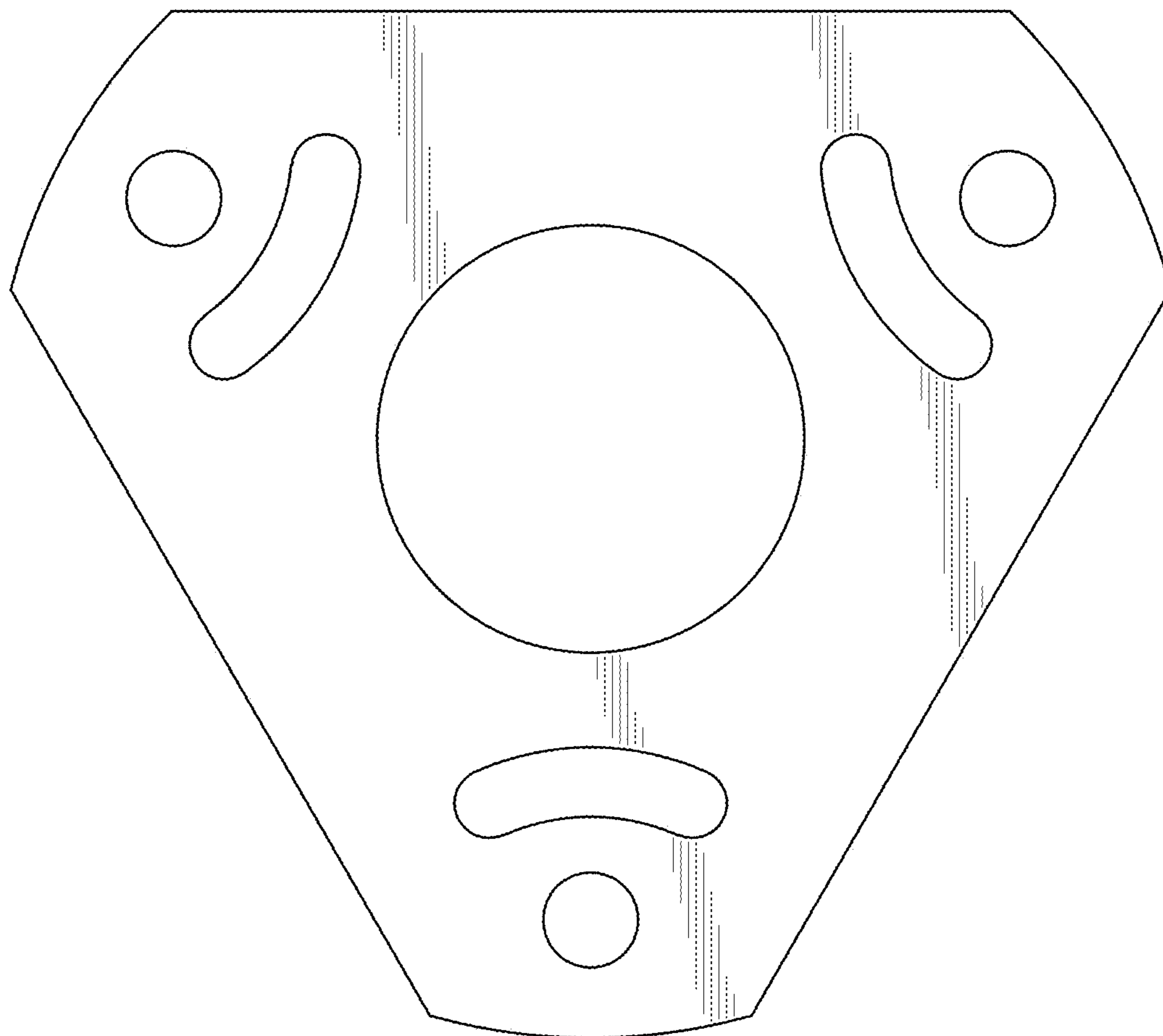


FIG. 6

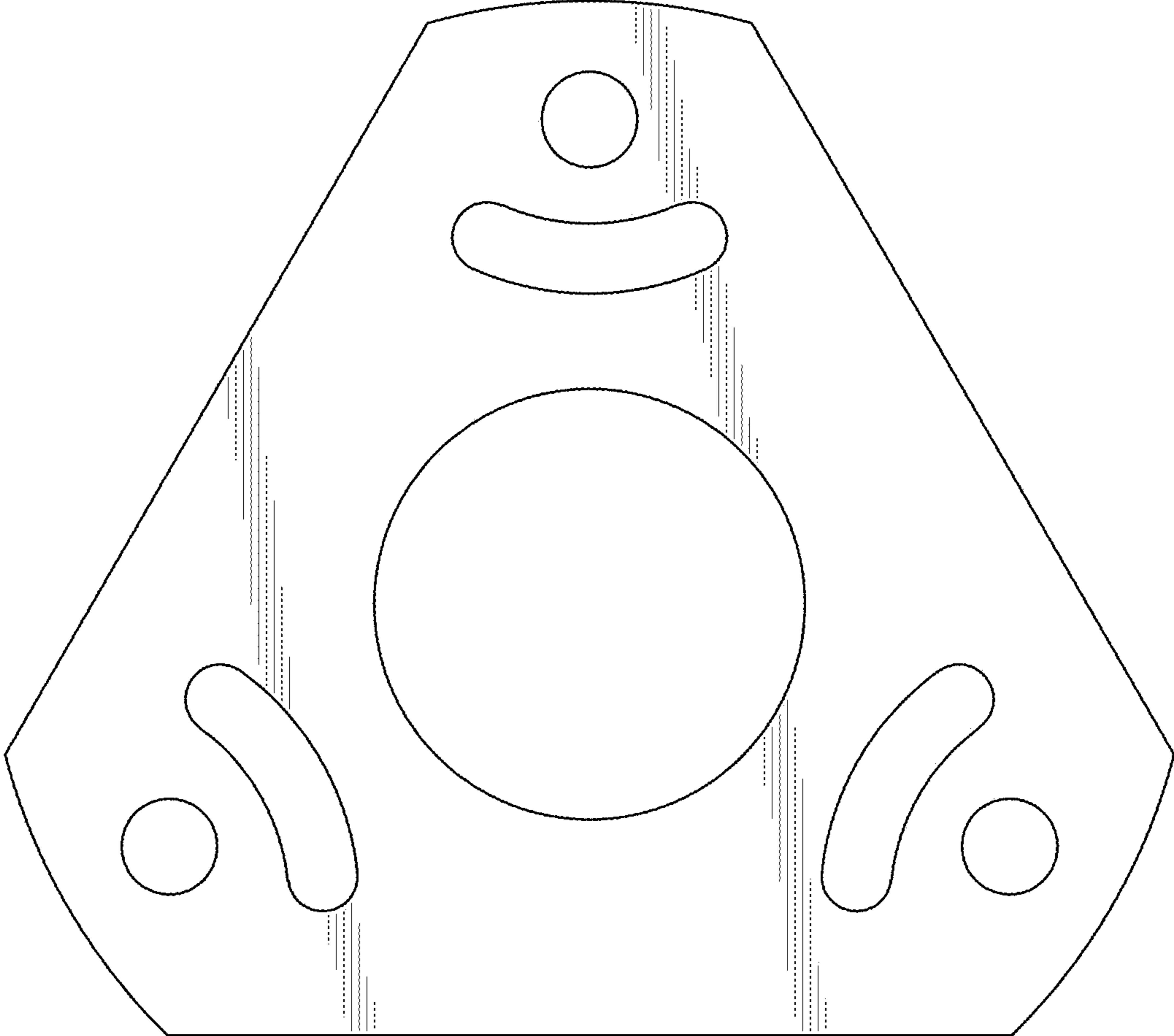


FIG. 7