



US00D945490S

(12) **United States Design Patent**
Dvorak et al.

(10) **Patent No.:** **US D945,490 S**
(45) **Date of Patent:** **** Mar. 8, 2022**

(54) **COVER PLATE**

H02K 5/00; H02K 5/02; H02K 5/22;
H02K 9/06; Y10T 29/49012

(71) Applicant: **DANFOSS POWER SOLUTIONS INC.**, Ames, IA (US)

See application file for complete search history.

(72) Inventors: **Charlie Dvorak**, Nordborg (DK);
Wondimagegn Diress, Nordborg (DK);
Pavol Balco, Nordborg (DK); **Jeffrey C. Hansell**, Nordborg (DK)

(56)

References Cited

U.S. PATENT DOCUMENTS

D243,714 S *	3/1977	Younger	D15/5
D283,425 S *	4/1986	Bingler	D15/7
D862,979 S *	10/2019	Bryson	D7/397
D875,141 S *	2/2020	Nishida	D15/7
D875,787 S *	2/2020	Kamio	D15/7
D890,212 S *	7/2020	Green	D15/7

(73) Assignee: **Danfoss Power Solutions Inc.**, Ames, IA (US)

(**) Term: **15 Years**

* cited by examiner

(21) Appl. No.: **29/716,503**

Primary Examiner — Eliza Z Bennett-Hattan

(22) Filed: **Dec. 10, 2019**

(74) *Attorney, Agent, or Firm* — Zarley Law Firm, P.L.C.

Related U.S. Application Data

(63) Continuation of application No. 16/705,972, filed on Dec. 6, 2019.

(60) Provisional application No. 62/776,014, filed on Dec. 6, 2018.

(51) **LOC (13) Cl.** **15-02**

(52) **U.S. Cl.**
USPC **D15/7; D8/366**

(58) **Field of Classification Search**
USPC D8/354, 366, 371, 372, 367, 374, 373,
D8/376, 375, 16, 19, 45, 380, 381, 394,
D8/71; D15/5, 7; D13/122

CPC F01D 5/082; F01D 5/3015; F04C 2/16;
F04D 29/40; F04D 29/445; F04D 29/708;
F04D 7/04; F05D 2250/15; F16D
25/0638; F16D 25/12; H02K 17/08;

(57)

CLAIM

The ornamental design for a cover plate, as shown and described.

DESCRIPTION

FIG. 1 is a top perspective view of a cover plate;

FIG. 2 is a front view of a cover plate;

FIG. 3 is a back view of a cover plate;

FIG. 4 is a right side view of a cover plate;

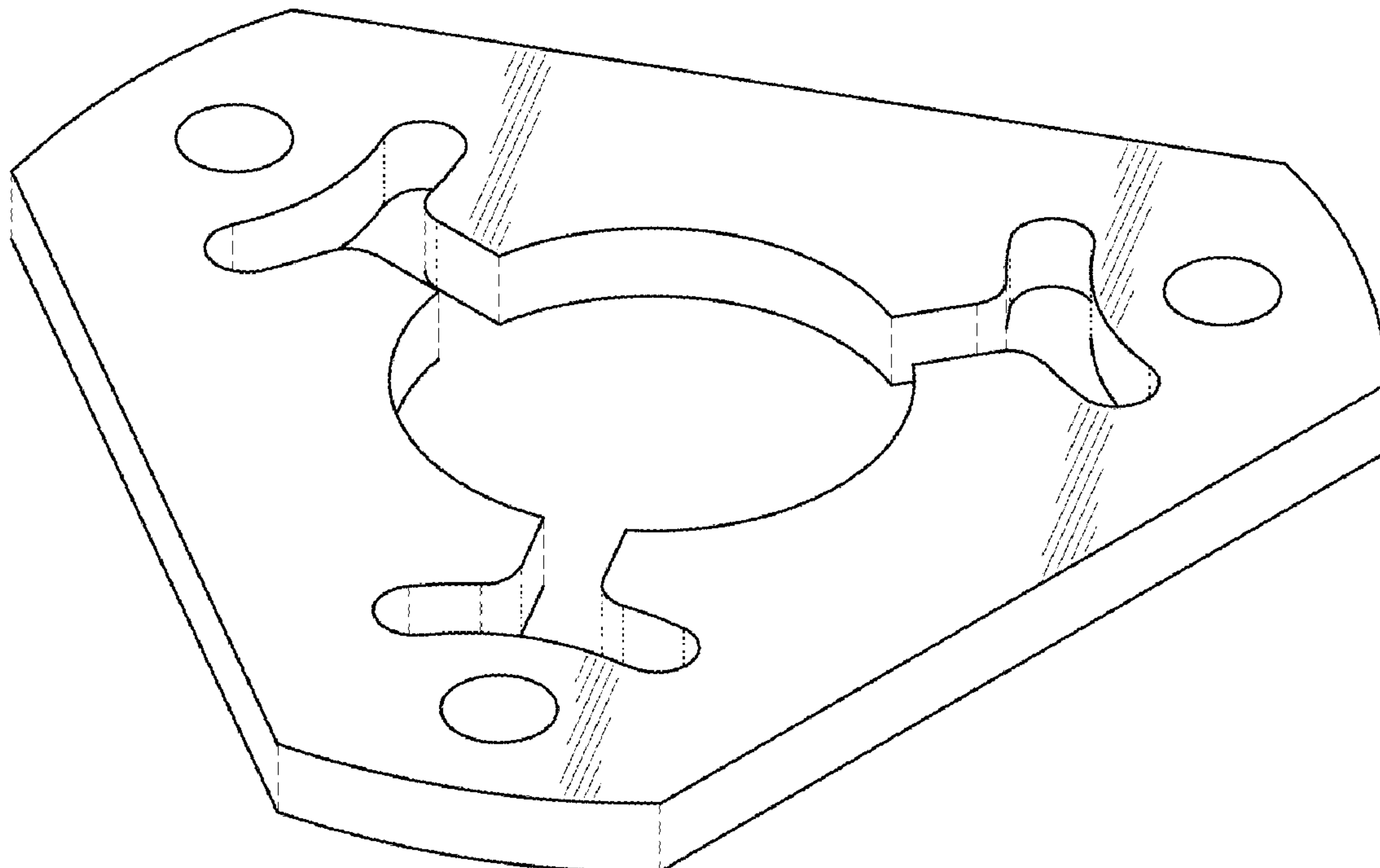
FIG. 5 is a left side view of a cover plate;

FIG. 6 is a top view of a cover plate; and,

FIG. 7 is a bottom view of a cover plate.

The broken lines showing portions of the design in all figures is included for the purpose of illustrating environment and unclaimed features and forms not part of the claimed design.

1 Claim, 7 Drawing Sheets



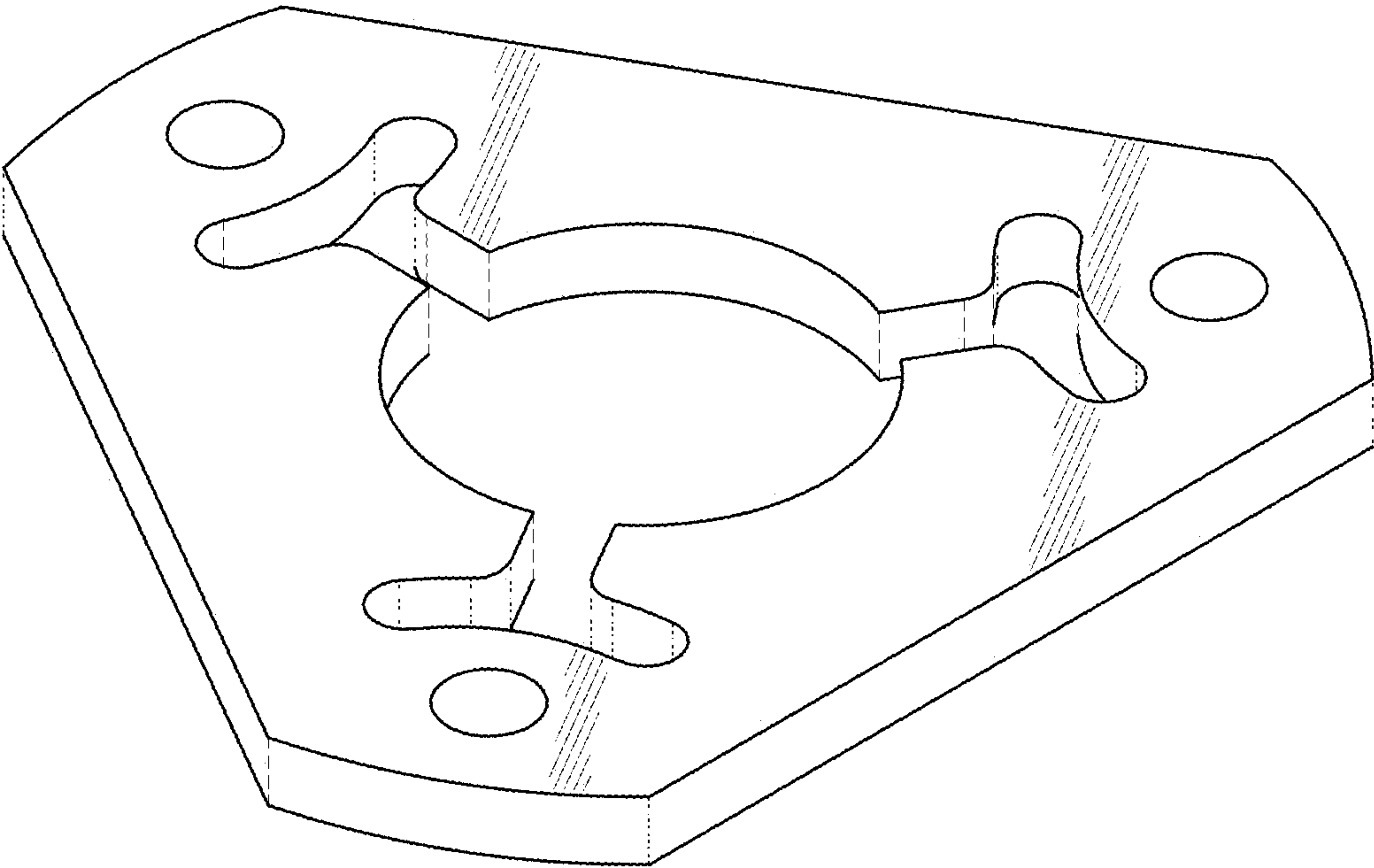


FIG. 1



FIG. 2



FIG. 3



FIG. 4



FIG. 5

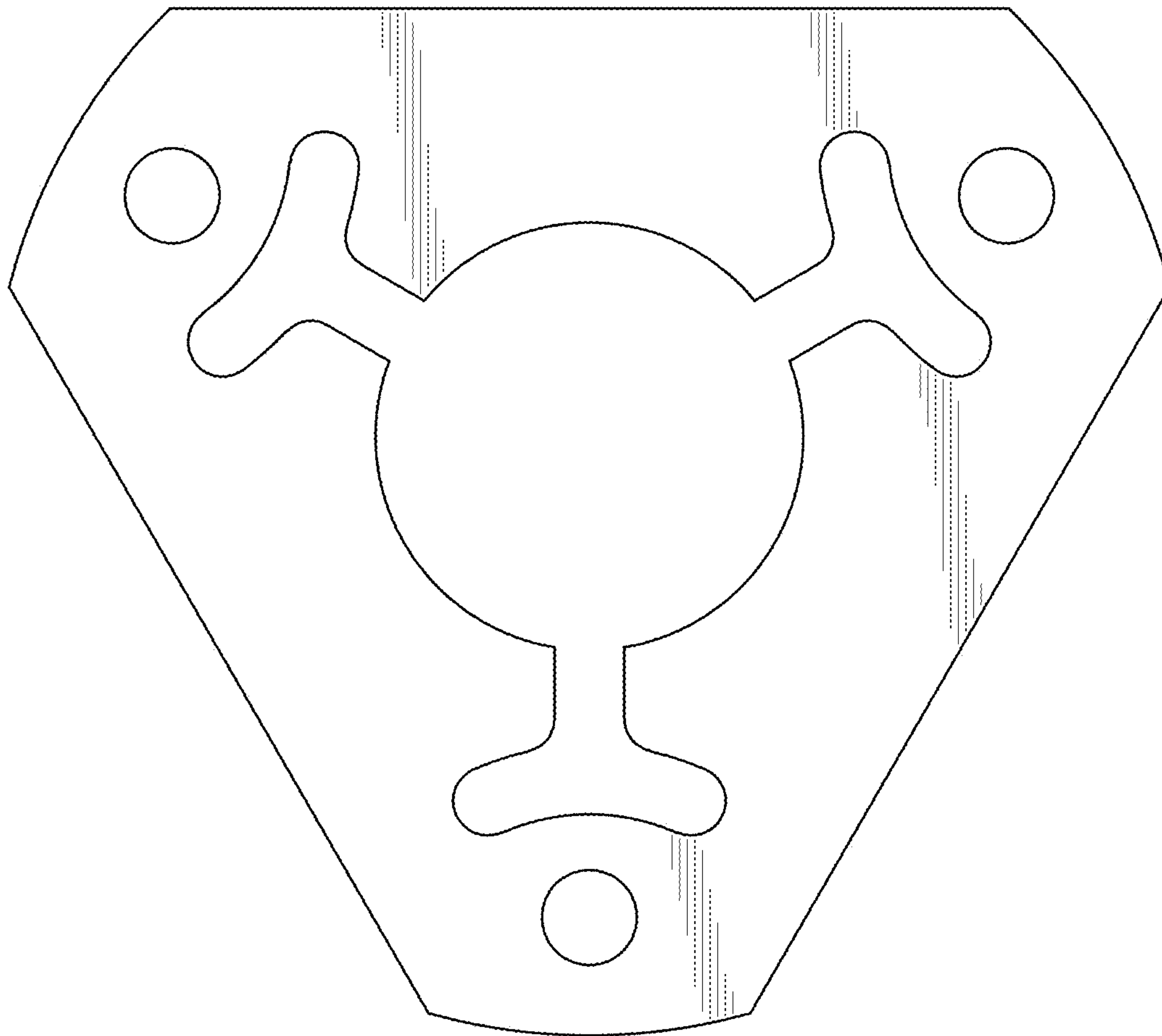


FIG. 6

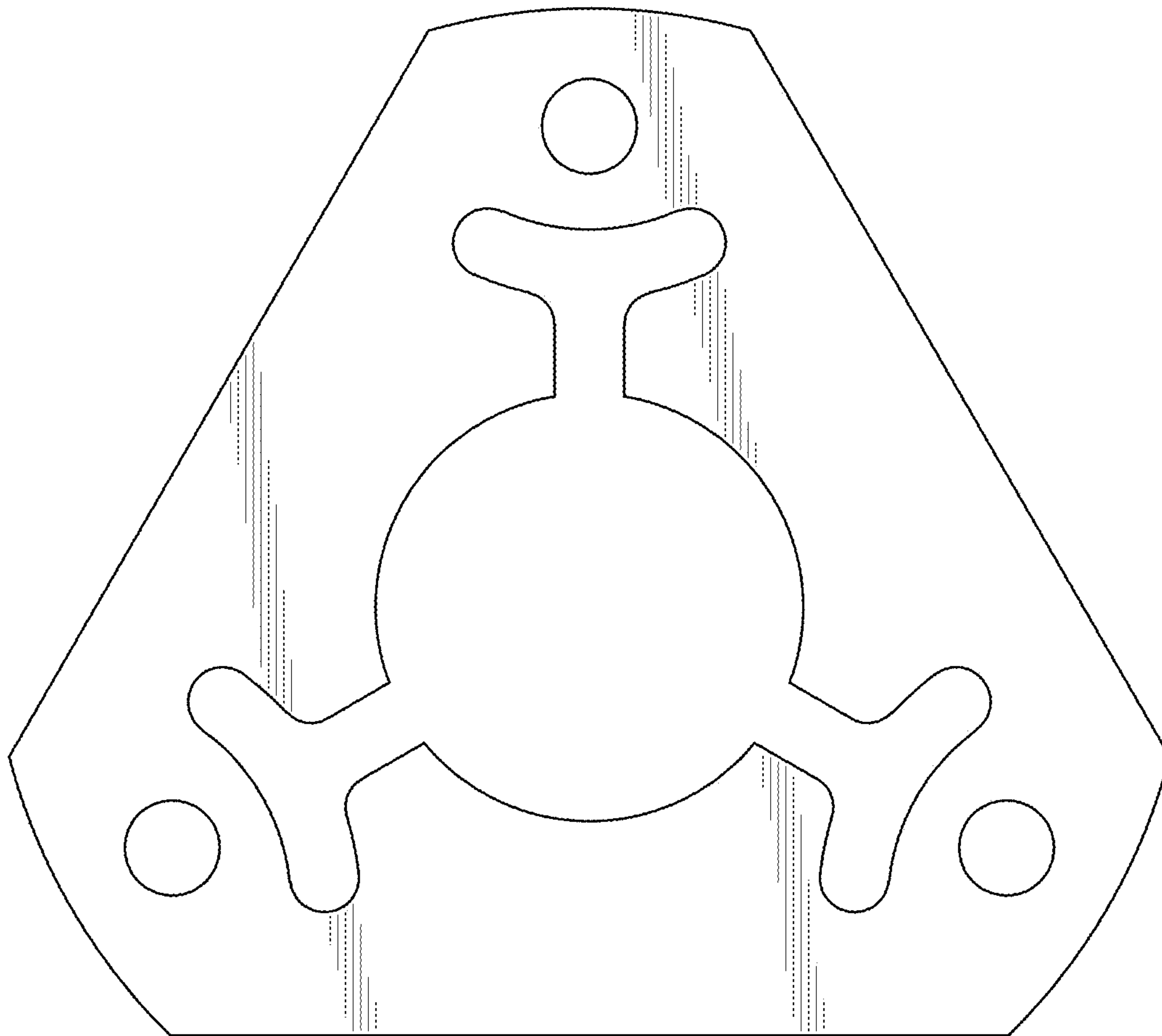


FIG. 7