



US00D945489S

(12) **United States Design Patent**  
**Uccellani**

(10) **Patent No.:** **US D945,489 S**  
(45) **Date of Patent:** **\*\* Mar. 8, 2022**

(54) **BATTERY OPERATED OIL PUMP**

(71) Applicant: **MACNAUGHT PTY LTD**, Turrella (AU)

(72) Inventor: **Marco Uccellani**, Turrella (AU)

(73) Assignee: **MACNAUGHT PTY LTD**, Turrella (AU)

(\*\*) Term: **15 Years**

(21) Appl. No.: **29/681,667**

(22) Filed: **Feb. 27, 2019**

(30) **Foreign Application Priority Data**

Aug. 29, 2018 (AU) ..... 201815187

(51) **LOC (13) Cl.** ..... **15-02**

(52) **U.S. Cl.**  
USPC ..... **D15/7; D15/150**

(58) **Field of Classification Search**  
USPC ..... D15/7, 9, 143, 148-149, 199, 150;  
D23/225, 231-233, 235

CPC ..... F15B 15/16; F15B 15/26; F15B 15/1414;  
F15B 15/1919; F15B 15/14; F15B 15/00;  
F15B 15/08; F15B 15/18; F15B 15/20;  
F02M 37/04; F04D 29/4286

See application file for complete search history.

(56) **References Cited**

**U.S. PATENT DOCUMENTS**

- D123,419 S \* 11/1940 Rigby ..... D7/398
- 2,220,645 A \* 11/1940 Girerd ..... F04B 9/14  
92/161
- 3,549,015 A \* 12/1970 Willinger ..... A01K 63/10  
210/416.2
- D257,739 S \* 12/1980 Luker ..... D15/7
- D280,823 S \* 10/1985 Maruyama ..... D15/7
- D280,902 S \* 10/1985 Maruyama ..... D15/7
- D280,991 S \* 10/1985 Maruyama ..... D15/7

- D280,992 S \* 10/1985 Maruyama ..... D15/7
- D295,522 S \* 5/1988 Martin ..... D15/7
- D299,720 S \* 2/1989 Yoo ..... D15/7
- D555,669 S \* 11/2007 Preston ..... D15/7
- D557,709 S \* 12/2007 Preston ..... D15/7
- 7,789,638 B2 \* 9/2010 Chuang ..... F04B 33/005  
417/429

(Continued)

**OTHER PUBLICATIONS**

MacNaught, BOP20 Battery Operated Pump, (copyright 2020), NacNuaght brochure, p. 1, URL:<<https://intl.macnaught.com/bop20-starter-kit>> (Year: 2020).\*

(Continued)

*Primary Examiner* — Calvin E Vansant

*Assistant Examiner* — Mark T. Philipps

(74) *Attorney, Agent, or Firm* — K&L Gates LLP

(57) **CLAIM**

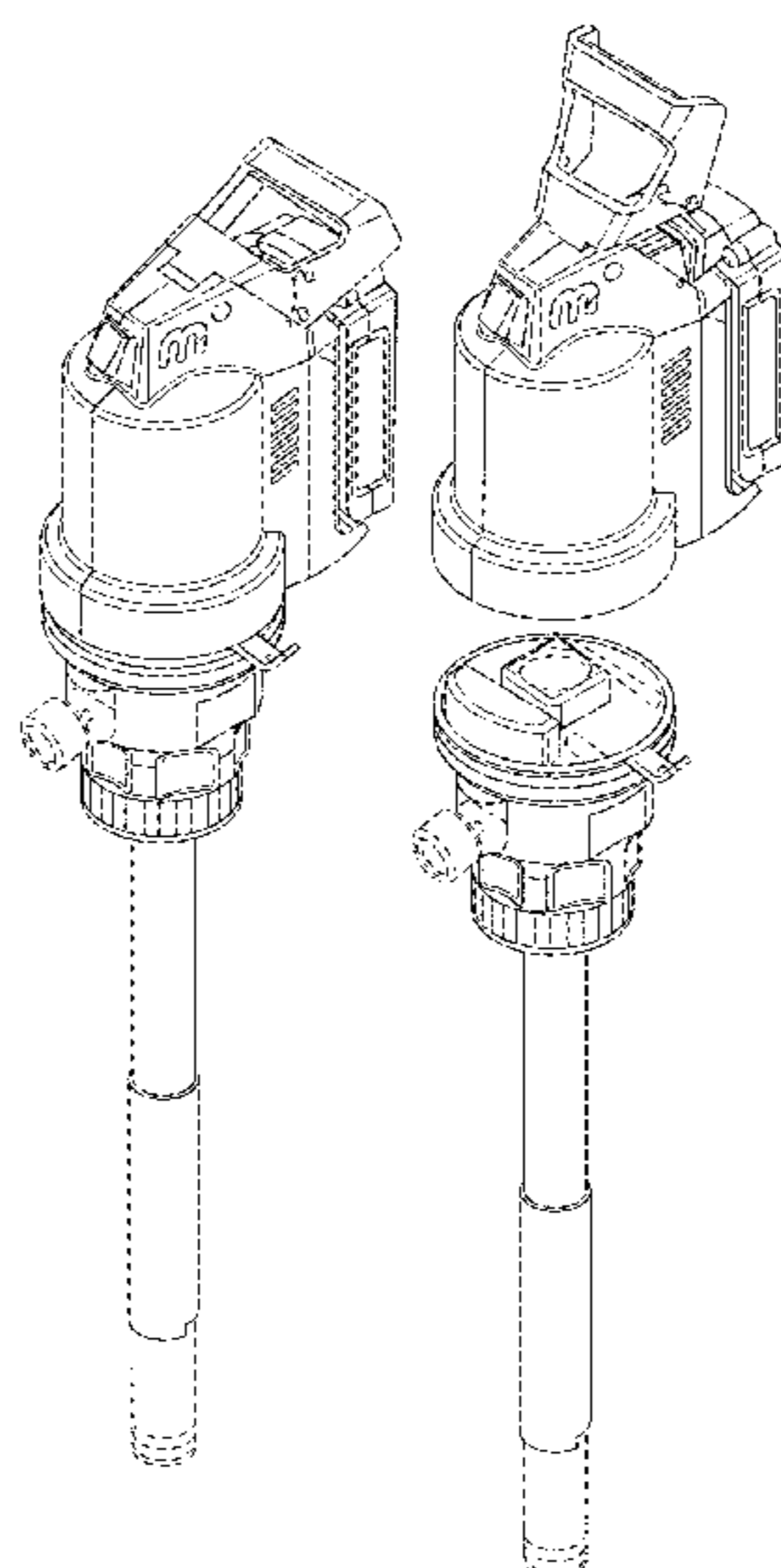
The ornamental design for a battery operated oil pump, as shown and described.

**DESCRIPTION**

FIG. 1 illustrates a front perspective view of a battery operated oil pump;  
FIG. 2 illustrates a front perspective view thereof with a powerhead disconnected from a pump stem;  
FIG. 3 illustrates a back perspective view thereof;  
FIG. 4 illustrates a front elevational view thereof;  
FIG. 5 illustrates a rear elevational view thereof;  
FIG. 6 illustrates a left side elevational view thereof;  
FIG. 7 illustrates a right side elevational view thereof;  
FIG. 8 illustrates a top plan view thereof; and,  
FIG. 9 illustrates a bottom plan view thereof.

The dashed broken lines depict portions of the battery operated oil pump that form no part of the claim. The “M” symbol is a registered trademark of Macnaught Pty Ltd (Registration No. 5963795).

**1 Claim, 9 Drawing Sheets**



(56)

**References Cited**

U.S. PATENT DOCUMENTS

D643,053 S \* 8/2011 Langlois ..... D15/144  
D652,299 S \* 1/2012 Taylor ..... D9/448  
D723,587 S \* 3/2015 Park ..... D15/7  
9,273,677 B2 \* 3/2016 Youell ..... F04B 53/16  
D777,007 S \* 1/2017 Park ..... D8/107  
D800,176 S \* 10/2017 Soto ..... D15/7  
D803,892 S \* 11/2017 Timmer ..... D15/7  
D886,157 S \* 6/2020 Laurino ..... D15/7  
D898,773 S \* 10/2020 Arkwright ..... D15/7

OTHER PUBLICATIONS

Global Industrial, FDA Rated Food Grade 47 Tote Centrifugal Pump 316SS, 110V, (site visited Jan. 28, 2021), Global Industrial website , URL:<<https://www.globalindustrial.com/p/storage/bins-totes-containers/containers-ibc/fda-rated-food-grade-47-tote-centrifugal-pump-316ss-110v>> (Year: 2021).\*

\* cited by examiner

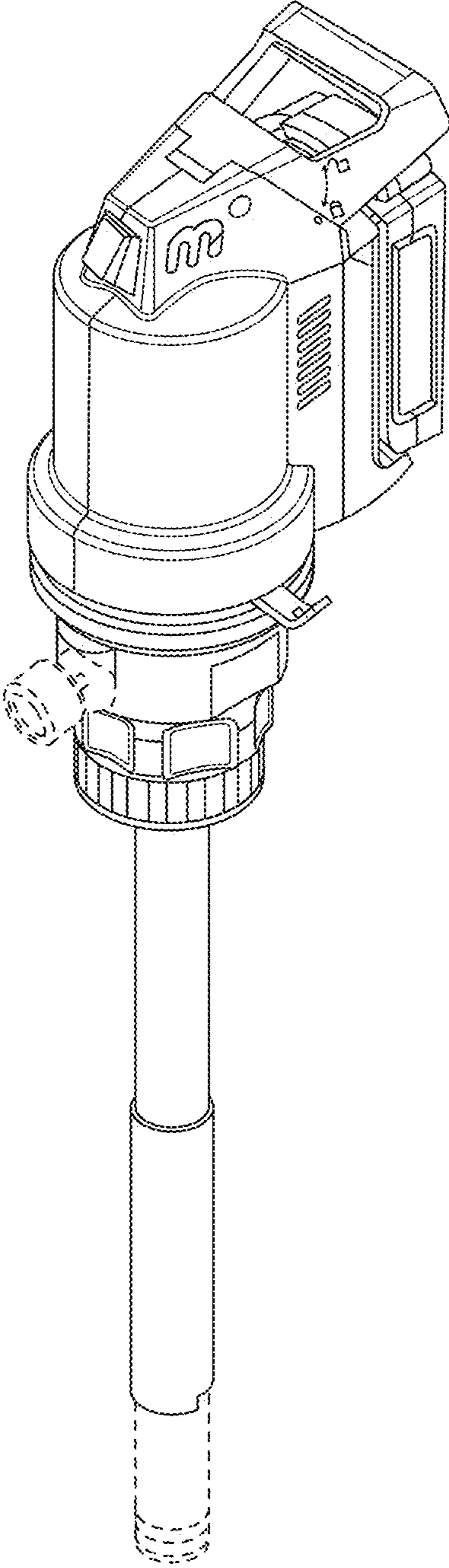


FIG. 1

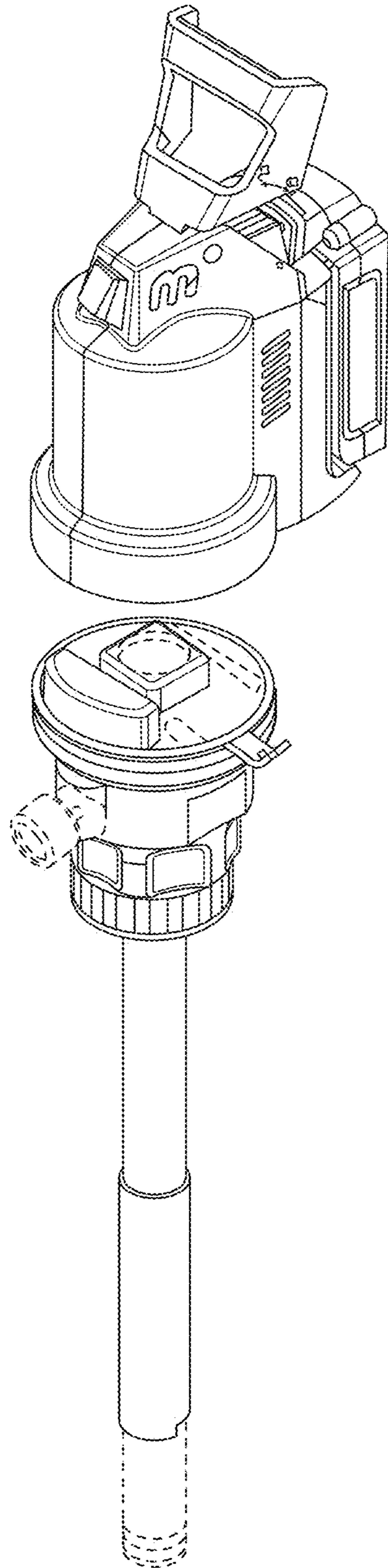


FIG. 2

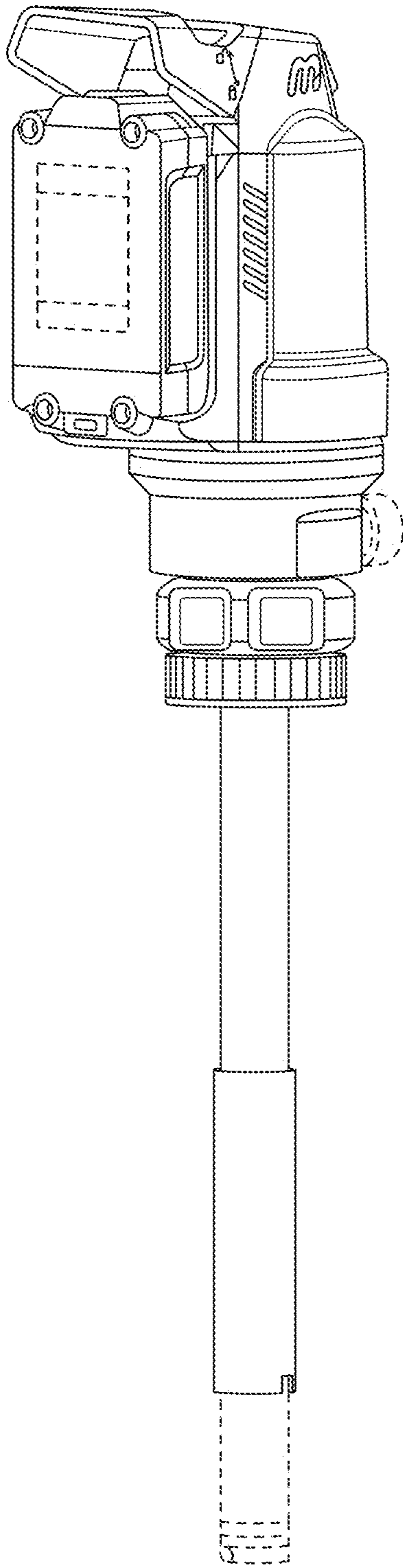


FIG. 3



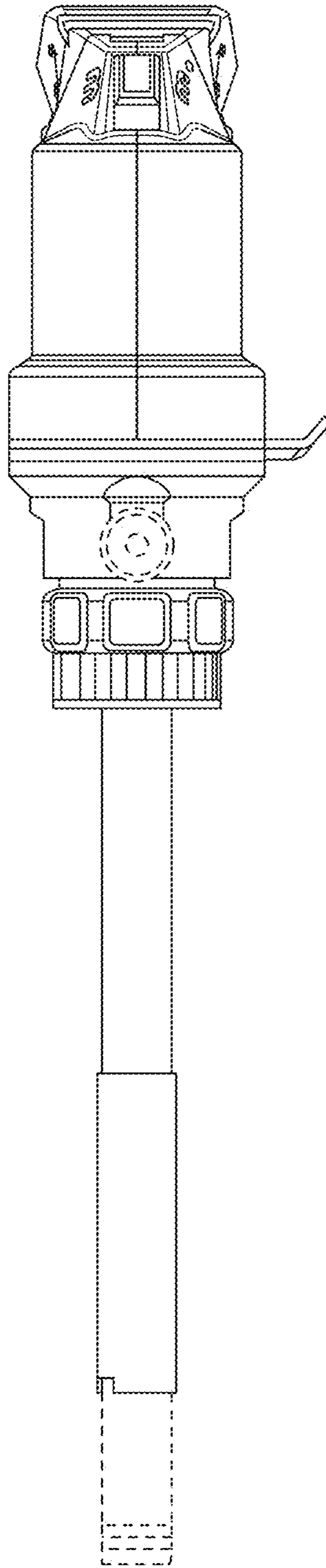


FIG. 4

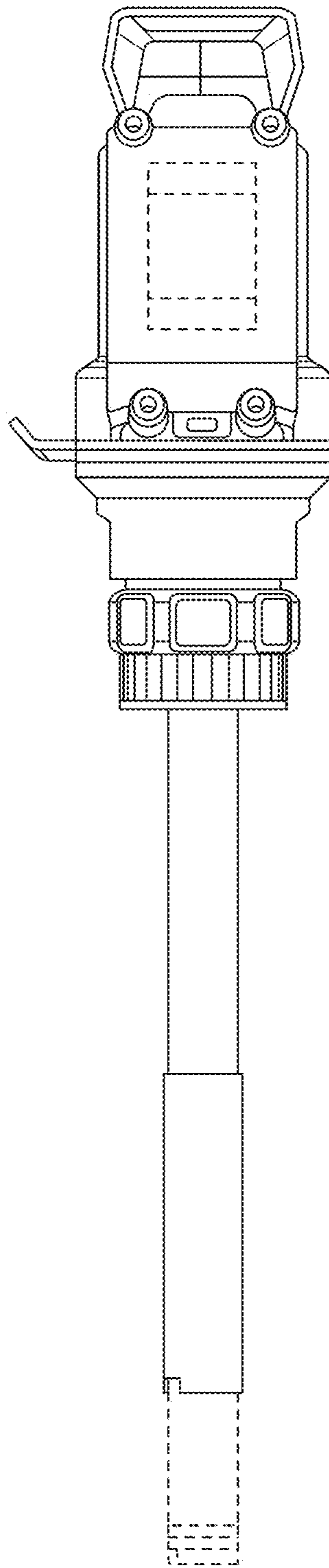


FIG. 5

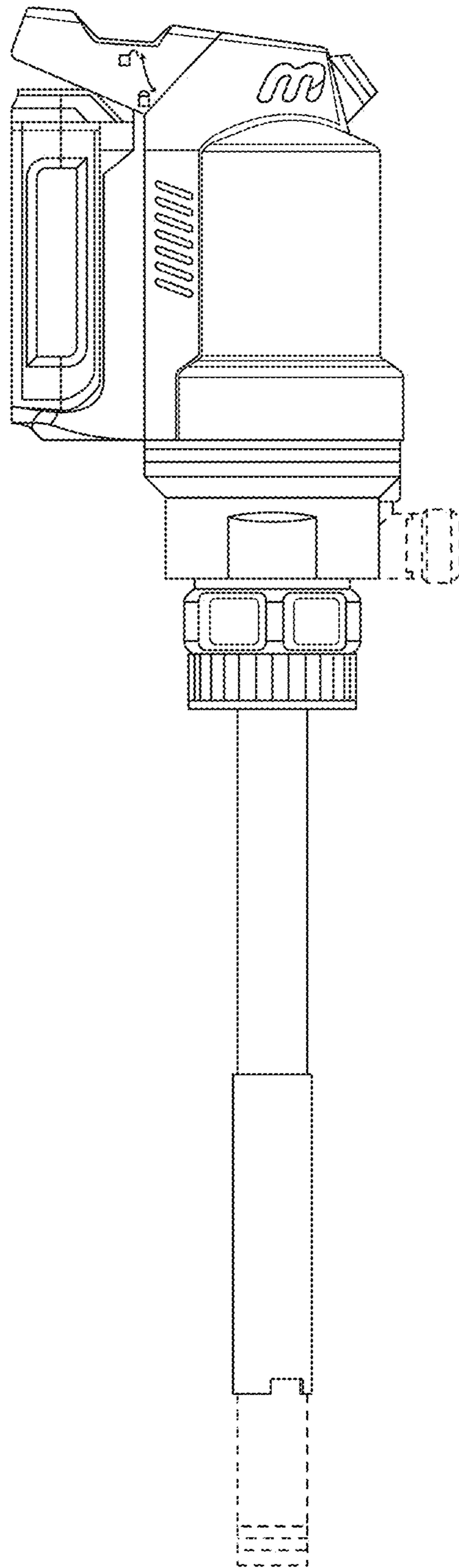


FIG. 6



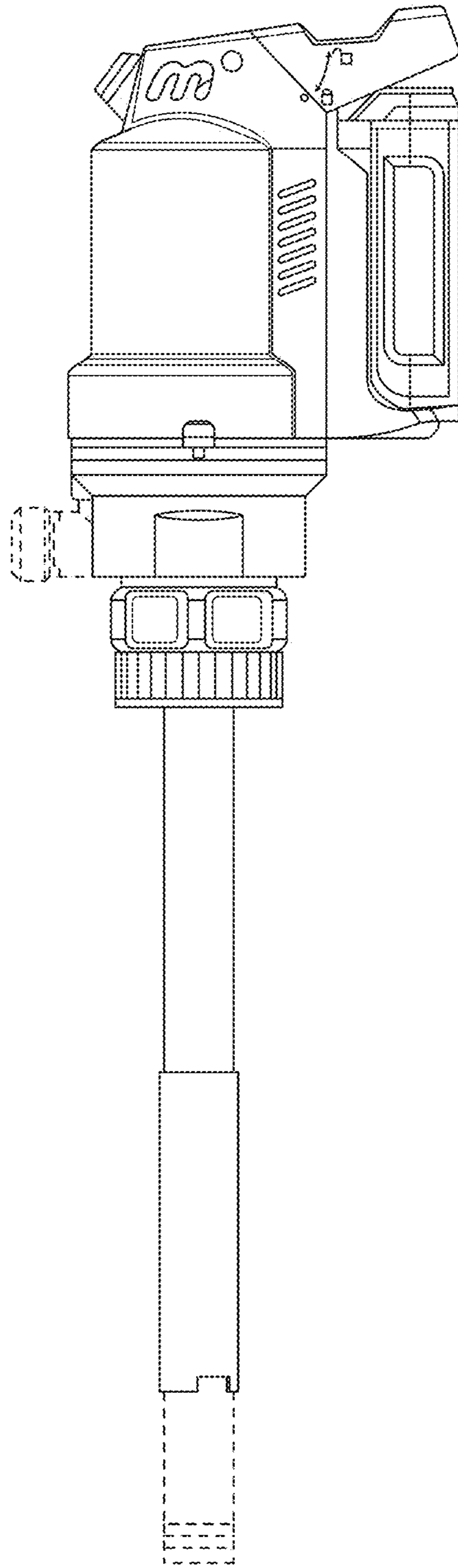


FIG. 7

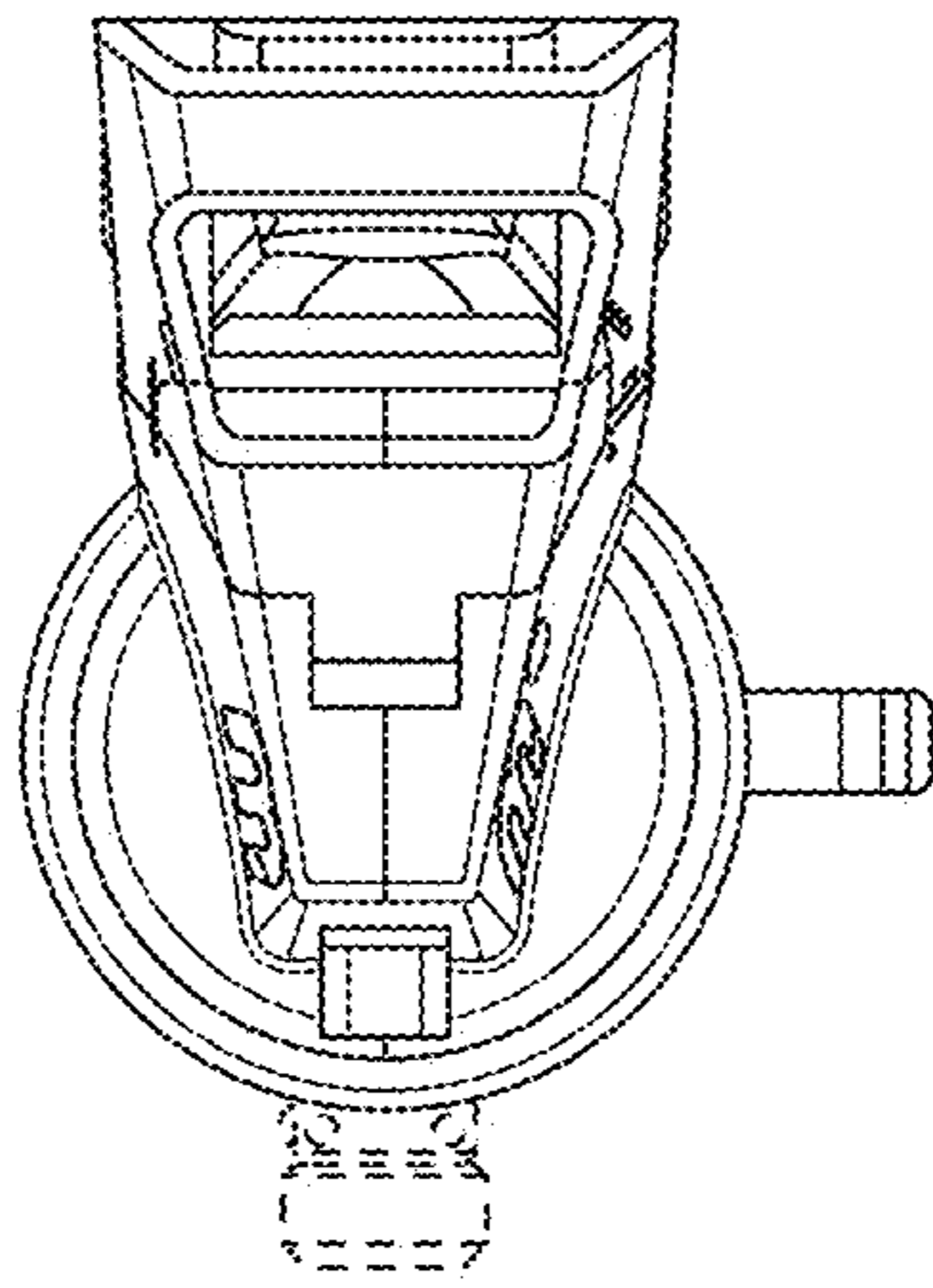


FIG. 8

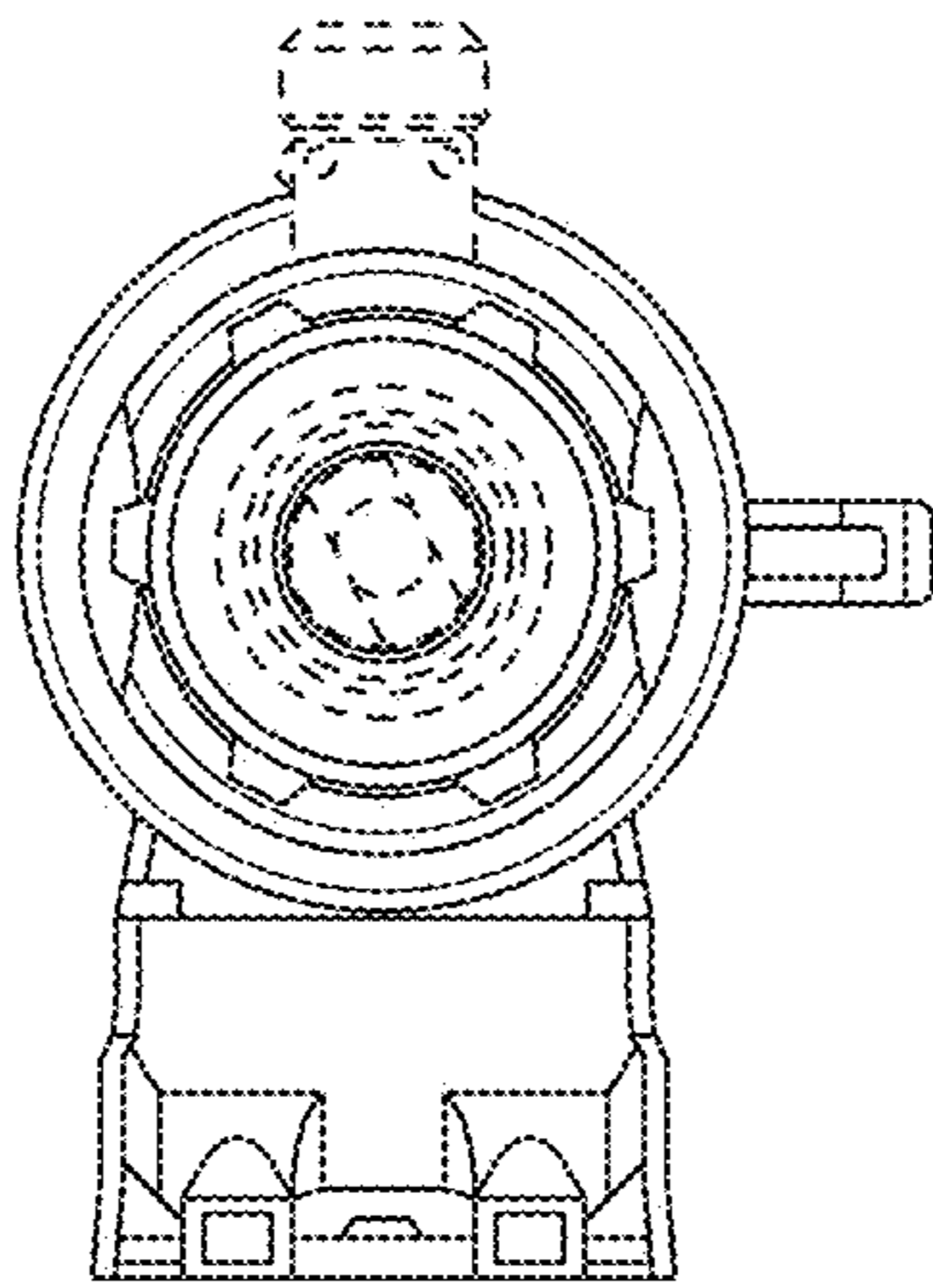


FIG. 9