



US00D945483S

(12) **United States Design Patent**
Anzures et al.

(10) **Patent No.:** **US D945,483 S**
(45) **Date of Patent:** **** Mar. 8, 2022**

(54) **DISPLAY SCREEN OR PORTION THEREOF WITH ICON**

(71) Applicant: **Apple Inc.**, Cupertino, CA (US)

(72) Inventors: **Freddy Anzures**, San Francisco, CA (US); **Greg Apodaca**, Mountain View, CA (US); **Ismael Basso**, San Francisco, CA (US); **Imran Chaudhri**, San Francisco, CA (US); **Jonathan P. Ive**, San Francisco, CA (US); **Matthew Dean Rohrbach**, San Francisco, CA (US); **Christopher Daryl Soli**, Mountain View, CA (US); **Wan Si Wan**, Sunnyvale, CA (US); **Christopher Wilson**, San Francisco, CA (US)

(73) Assignee: **Apple Inc.**, Cupertino, CA (US)

(**) Term: **15 Years**

(21) Appl. No.: **29/706,725**

(22) Filed: **Sep. 23, 2019**

Related U.S. Application Data

(63) Continuation of application No. 29/608,796, filed on Jun. 26, 2017, now Pat. No. Des. 861,018, which is a continuation of application No. 29/563,713, filed on May 6, 2016, now Pat. No. Des. 790,574, which is a continuation of application No. 29/540,698, filed on Sep. 26, 2015, now Pat. No. Des. 755,827, which is a continuation of application No. 29/537,751, filed on Aug. 28, 2015, now Pat. No. Des. 759,085, which is a continuation of application No. 29/457,338, filed on Jun. 9, 2013, now Pat. No. Des. 737,833.

(51) **LOC (13) Cl.** **14-04**

(52) **U.S. Cl.**
USPC **D14/492**

(58) **Field of Classification Search**
USPC D14/485-95

CPC G06F 3/48; G06F 3/0481; G06F 3/04812; G06F 3/04815; G06F 3/04817; G06F 3/0482; G06F 3/0483; G06F 3/0484; G06F 3/04842; G06F 3/04845; G06F 3/04847; G06F 3/0485; G06F 3/0486; G06F 3/0487; G06F 3/0488; G06F 3/04883; G06F 3/04886

See application file for complete search history.

(56) **References Cited**

U.S. PATENT DOCUMENTS

D129,805 S	10/1941	Burn	
D295,636 S *	5/1988	Wells-Papanek	D14/489
D470,857 S *	2/2003	Anderson	D14/485
D487,469 S *	3/2004	Glaser	D14/489
6,784,925 B1	8/2004	Tomat et al.	

(Continued)

OTHER PUBLICATIONS

Green and black flashlight isolated on white Stock Photo—Alamy, <https://www.alamy.com/stock-photo-green-and-black-flashlight-isolated-on-white-119960765.html?pv=1&stamp=2&imageid=D8871E85-B9EF-4C09-90%E2%80%A6> (Year: 2010).*

(Continued)

Primary Examiner — Melanie H Tung

Assistant Examiner — Darmawan Truong

(74) *Attorney, Agent, or Firm* — Sterne, Kessler, Goldstein & Fox P.L.L.C.

(57) **CLAIM**

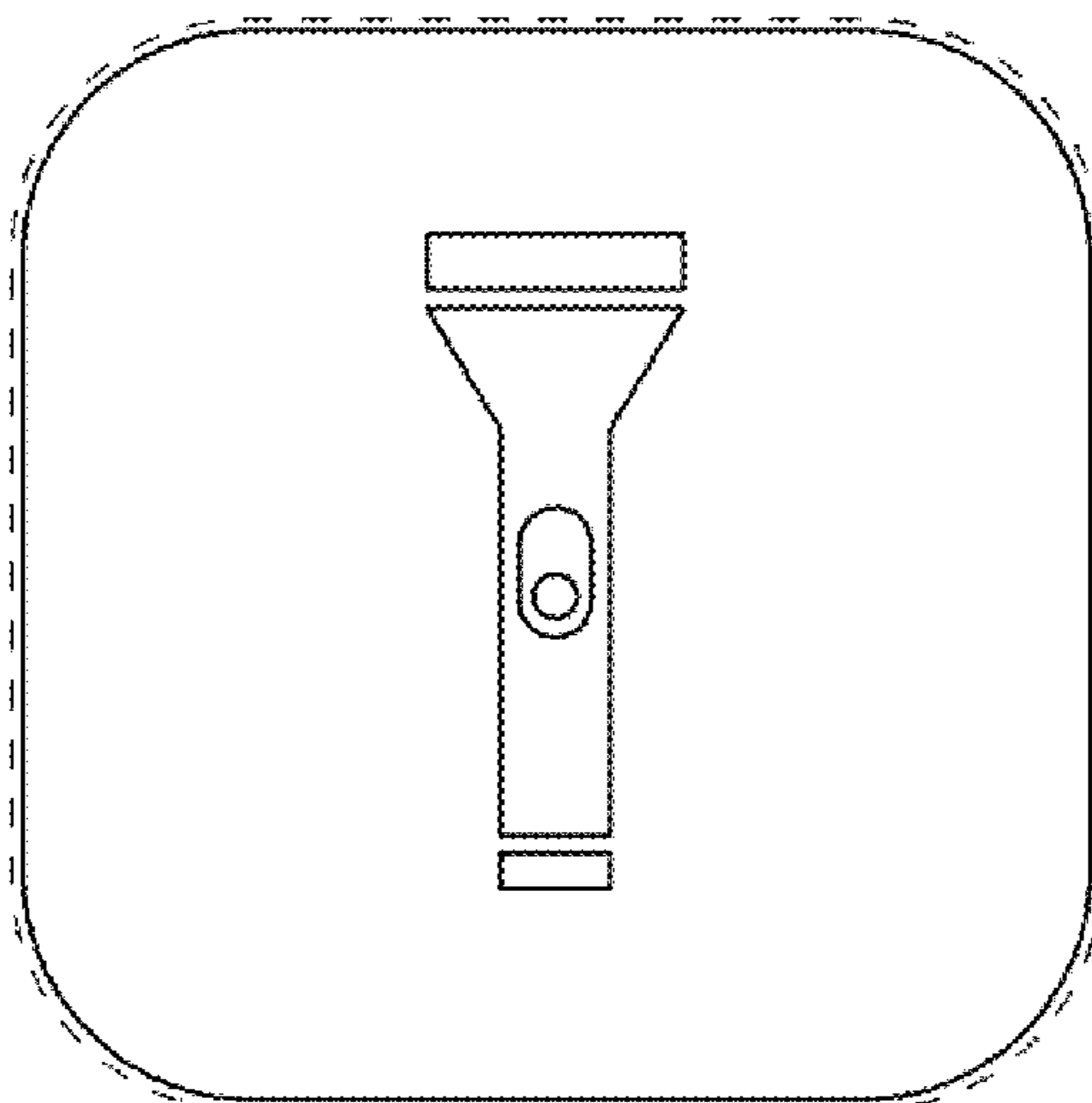
The ornamental design for a display screen or portion thereof with icon, shown and described.

DESCRIPTION

The FIGURE is a front view of a display screen or portion thereof with icon showing the claimed design.

The broken lines in the FIGURE show a display screen or portion thereof, and form no part of the claimed design.

1 Claim, 1 Drawing Sheet



(56)

References Cited

- U.S. PATENT DOCUMENTS
- D537,449 S * 2/2007 Hoefnagels D14/485
D569,875 S 5/2008 Fletcher et al.
D574,842 S 8/2008 Kwag et al.
D606,084 S * 12/2009 Agnetta D14/485
D613,747 S * 4/2010 Jonasson D14/485
D623,194 S * 9/2010 Cook D14/488
D623,195 S * 9/2010 La D14/489
D627,789 S * 11/2010 Jewitt D14/485
D638,028 S * 5/2011 Cook D14/488
8,082,523 B2 * 12/2011 Forstall G06F 3/04883
715/863
D652,428 S * 1/2012 Anzures D14/489
D658,193 S * 4/2012 Greenwood D14/485
D658,679 S * 5/2012 Davydov D14/489
D659,158 S 5/2012 Clymer
D659,709 S * 5/2012 Eby D14/492
D667,451 S * 9/2012 Wujcik D14/492
D676,868 S 2/2013 Wagner
D678,904 S * 3/2013 Phelan D14/492
D683,355 S * 5/2013 Ridl D14/486
D703,234 S 4/2014 Lim et al.
8,866,343 B2 10/2014 Abraham et al.
D718,330 S 11/2014 Shin et al.
D725,134 S 3/2015 Boettcher et al.
D727,960 S 4/2015 Chaudhri et al.
D730,388 S * 5/2015 Rehberg D14/488
D737,833 S 9/2015 Anzures et al.
D749,129 S 2/2016 Gold et al.
D749,130 S 2/2016 Peschan
D749,131 S 2/2016 Peschan
D750,637 S 3/2016 Chaudhri et al.
D755,827 S 5/2016 Anzures et al.
D756,412 S * 5/2016 Wolf D14/492
D759,085 S 6/2016 Anzures et al.
D759,664 S 6/2016 Sonoda
D759,723 S 6/2016 Butcher et al.
D760,276 S * 6/2016 Huang D14/488
D762,237 S 7/2016 Kaplan
D762,675 S 8/2016 Lim et al.
D764,541 S 8/2016 Huang et al.
D765,093 S 8/2016 Sonoda et al.
D767,595 S 9/2016 Chaudhri et al.
D768,144 S 10/2016 Kim et al.
D768,177 S 10/2016 Han et al.
D769,265 S 10/2016 Gomez
D771,073 S 11/2016 Choi et al.
D771,670 S 11/2016 Chan et al.
D772,922 S 11/2016 Lee et al.
D772,925 S 11/2016 Zhou et al.
D777,786 S * 1/2017 Kim D14/494
D785,032 S 4/2017 Bhat et al.
D790,574 S 6/2017 Anzures et al.
D791,143 S 7/2017 Chaudhri et al.
D791,819 S 7/2017 Sagawa et al.
D793,411 S 8/2017 Chaudhri et al.
D797,762 S 9/2017 Tsujimura et al.
D798,333 S 9/2017 Dascola et al.
D798,897 S 10/2017 Bhat et al.
D799,530 S 10/2017 Wu et al.
D808,398 S 1/2018 Beaty et al.
D809,552 S 2/2018 Dye et al.
D815,649 S 4/2018 Chen et al.
D817,345 S 5/2018 Zhang et al.
D819,067 S 5/2018 Behzadi et al.
D822,706 S 7/2018 Butcher et al.
D831,039 S 10/2018 Amini et al.
D835,125 S 12/2018 Tople et al.
D836,656 S 12/2018 Nufer
D837,822 S * 1/2019 Belg D14/487
D838,738 S 1/2019 Howland et al.
10,203,866 B2 2/2019 Karunamuni et al.
D842,333 S 3/2019 Connor et al.
D842,871 S 3/2019 Clediere et al.
D853,430 S 7/2019 Amini et al.
D853,439 S 7/2019 Anzures et al.
D854,031 S 7/2019 Alvarez et al.
D854,581 S * 7/2019 Dellinger D14/489
D861,018 S 9/2019 Anzures et al.
2005/0188331 A1 8/2005 Shimada et al.
2006/0015819 A1 1/2006 Hawkins et al.
2006/0168539 A1 7/2006 Hawkins et al.
2008/0098331 A1 4/2008 Novick et al.
2010/0306702 A1 * 12/2010 Warner G06F 3/0482
715/811
2011/0083103 A1 * 4/2011 Shim G06F 1/1694
715/810
2012/0089948 A1 * 4/2012 Lim G06F 3/017
715/846
2012/0260208 A1 10/2012 Jung et al.
2012/0313946 A1 12/2012 Nakamura et al.
2014/0362105 A1 12/2014 Kocienda et al.
2014/0365919 A1 12/2014 Shaw et al.
2015/0222584 A1 8/2015 Holliday et al.
2016/0019352 A1 1/2016 Cohen et al.
2017/0046025 A1 2/2017 Dascola et al.
2018/0335921 A1 11/2018 Karunamuni et al.
- OTHER PUBLICATIONS
- Metro style primitive and modern sources of light—Alamy, <https://www.alamy.com/stock-photo-metro-style-primitive-and-modern-sources-of-light-117007928.html?pv=1&stamp=2&imageid=0512FB1C-235B-4C%E2%80%A6> (Year: 2012).*
- Vertical Bar Screen Wash for Panasonic Plasma, by MrGalaxxy, YouTube [online], published on Oct. 6, 2013, <https://www.youtube.com/watch?v=yXXxgDdCsgs>.
- “[App] [Share] Xposed Framework, Motorola Moto E,” Jun. 30, 2014, [xdadevelopers.com, https://fomm.xda-developers.com/showthread.php?t=2800312](https://fomm.xda-developers.com/showthread.php?t=2800312).
- Patni, Maitreya, “Android 5.0 Lollipop For Micromax Unite 2 A106 (Dark-L ROM)” Dec. 29, 2014, Broodle.com, <https://thebroodle.com/micromax/a106/android-5-0-lollipop-micromax-unite-2-a106-dark-l-rom/>.
- Hands-on with Theater Mode in watchOS 3.2, by MacRumors, YouTube [online], published on Mar. 27, 2017, <https://www.youtube.com/watch?v=5DKI9xwvF7E>.
- FreeCodeCamp—Build a Random Quote Mahine, by Rizzi, codepen.io [online], published on May 17, 2017, <https://codepen.io/FabrizioRizzi/pen/zwZwpp>.
- How to Upgrade System UI in Android, by Pawan Pal, YouTube [online], published on Mar. 23, 2017, <https://www.youtube.com/watch?v=nrXNQoemv-k>.
- Free Flashlight Android App by Asus Best Flashlight App on Google Play, by hollywoodfrodo, YouTube [online], published on Sep. 9, 2016, https://www.youtube.com/watch?v=K_kFa7PoVsc.
- Web and UI 8 Icons, by ProSymbols, iconfinder.com [online], published on Jan. 6, 2017, Jan. 6, 2017, <https://www.iconfinder.com/iconsets/web-and-ui-8>.
- Symbol Sourcebook, by Henry Dreyfuss, Van Nostrand Reinhold Company, New York, NY, © 1972, p. 65.
- Iconset:apple-ios7-icons icons—Download 25 free & premium icons on Iconfinder, [online] Added Jun. 11, 2013 [retrieved on Dec. 1, 2014]. Retrieved from the Internet <URL: <https://www.iconfinder.com/iconsets/apple-ios7-icons>>.
- Iconset:line-icons-large-version icons—Download 100 free & premium icons on Iconfinder, [online] Added Oct. 24, 2014 [retrieved on Dec. 1, 2014]. Retrieved from the Internet <URL: <https://www.iconfinder.com/iconsets/line-icons-large-version>>.
- Trademark Serial No. 85970939, Apple Inc., filed Jun. 29, 2013, priority filing date Apr. 3, 2013.
- Exhaustive list of iOS 7 Features, announced Sep. 18, 2013 [online], [retrieved May 20, 2019] Available from Internet, URL: <http://www.iphonhacks.com/2013/09/ios-7-features.html>.
- ASUS Flashlight for Android Offers More Than an Ordinary Flashlight App, by Trisha, trishtech.com [online], published on Jun.

(56)

References Cited

OTHER PUBLICATIONS

28, 2015, [retrieved on Oct. 10, 2019], retrieved from the Internet
[URL: <https://www.trishtech.com/2015/06/asus-flashlight-for-android/>].

* cited by examiner

