



US00D945434S

(12) **United States Design Patent**
Cran

(10) **Patent No.:** **US D945,434 S**

(45) **Date of Patent:** **** Mar. 8, 2022**

(54) **MEDIA STREAMING DEVICE**

(71) Applicant: **MAKE GREAT SALES LIMITED,**
Wanchai (HK)

(72) Inventor: **Bruce Peter Cran,** Ho Chi Minh (VN)

(73) Assignee: **Make Great Sales Limited,** Hong
Kong (HK)

(**) Term: **15 Years**

(21) Appl. No.: **29/730,364**

(22) Filed: **Apr. 3, 2020**

(51) **LOC (13) Cl.** **14-03**

(52) **U.S. Cl.**
USPC **D14/480.5; D14/203.1**

(58) **Field of Classification Search**
USPC D14/480.1–480.7, 435.1, 411, 433, 436,
D14/484.1, 137, 155, 203.1–203.8, 240,
D14/242, 496, 474; D13/133, 154
CPC H05K 5/0278; G06K 19/07732
See application file for complete search history.

(56) **References Cited**

U.S. PATENT DOCUMENTS

D527,477 S *	8/2006	Chen	D14/480.3
D583,816 S *	12/2008	Guccione	D14/480.5
D605,198 S *	12/2009	Otsuka	D14/480.5
D617,331 S *	6/2010	Lo	D14/480.7
D629,407 S *	12/2010	Otsuka	D14/480.5
D629,408 S *	12/2010	Otsuka	D14/480.5
D648,730 S *	11/2011	Huang	D14/480.5
D658,666 S *	5/2012	Fukuoka	D14/480.5

D685,382 S *	7/2013	Anderson	D14/480.5
D687,443 S *	8/2013	Chen	D14/480.5
D729,277 S *	5/2015	Uchida	D14/496
D902,882 S *	11/2020	Kwak	D14/203.6

* cited by examiner

Primary Examiner — Angela J Lee

(74) *Attorney, Agent, or Firm* — Onello & Mello, LLP

(57) **CLAIM**

The ornamental design for a media streaming device, as shown and described.

DESCRIPTION

FIG. 1 is an isometric view of a media streaming device, in accordance with our design;

FIG. 2 is an exploded isometric view of a media streaming device of FIG. 1;

FIG. 3 is a rear isometric view of the media streaming device of FIG. 1;

FIG. 4 is a right-side view of the media streaming device of FIG. 1;

FIG. 5 is a left-side view of the media streaming device of FIG. 1;

FIG. 6 is a top view of the media streaming device of FIG. 1;

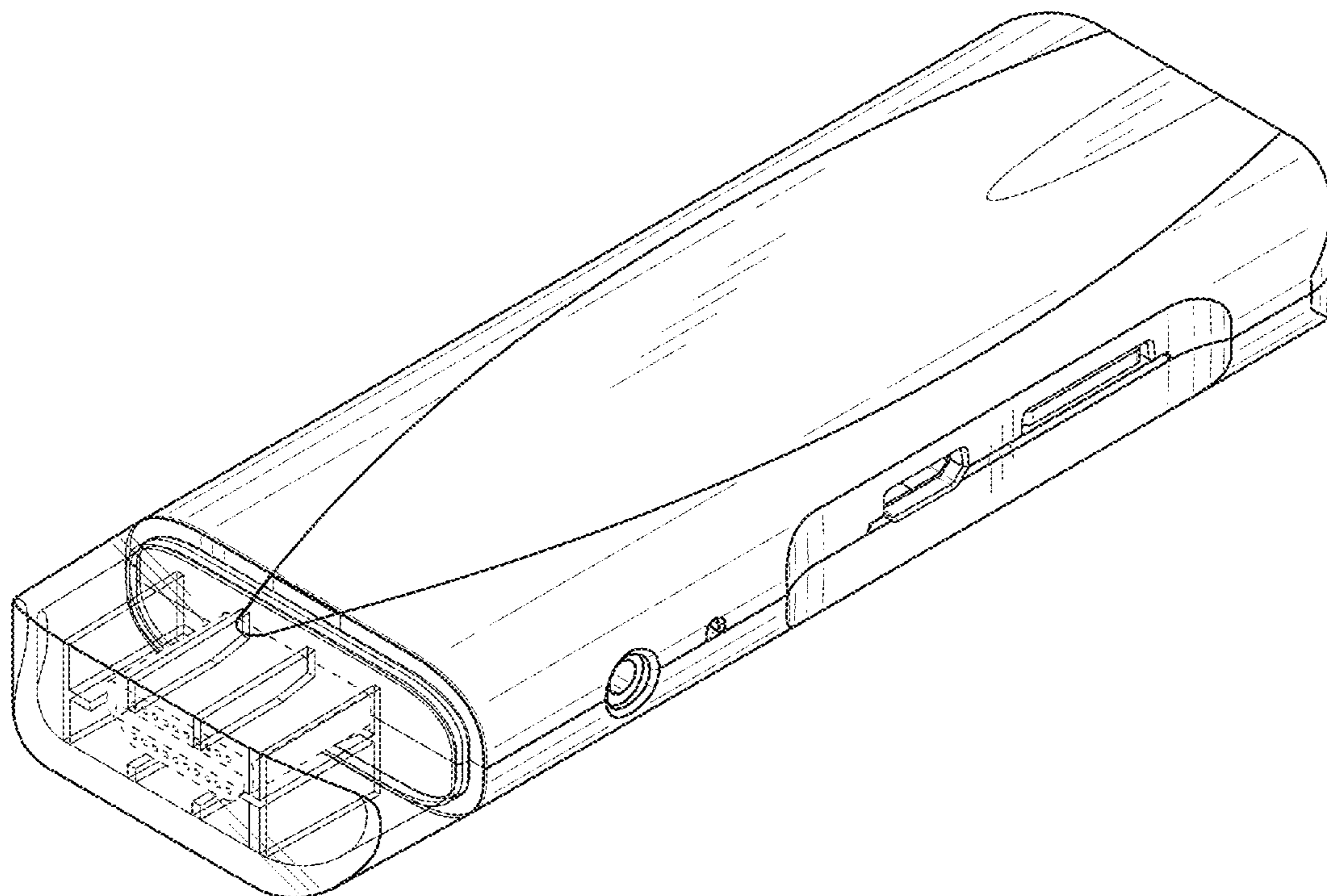
FIG. 7 is a bottom view of the media streaming device of FIG. 1;

FIG. 8 is a front view of the media streaming device of FIG. 1; and,

FIG. 9 is a rear view of the media streaming device of FIG. 1.

In the drawings, broken line areas illustrate environmental subject matter and form no part of the claimed design.

1 Claim, 6 Drawing Sheets



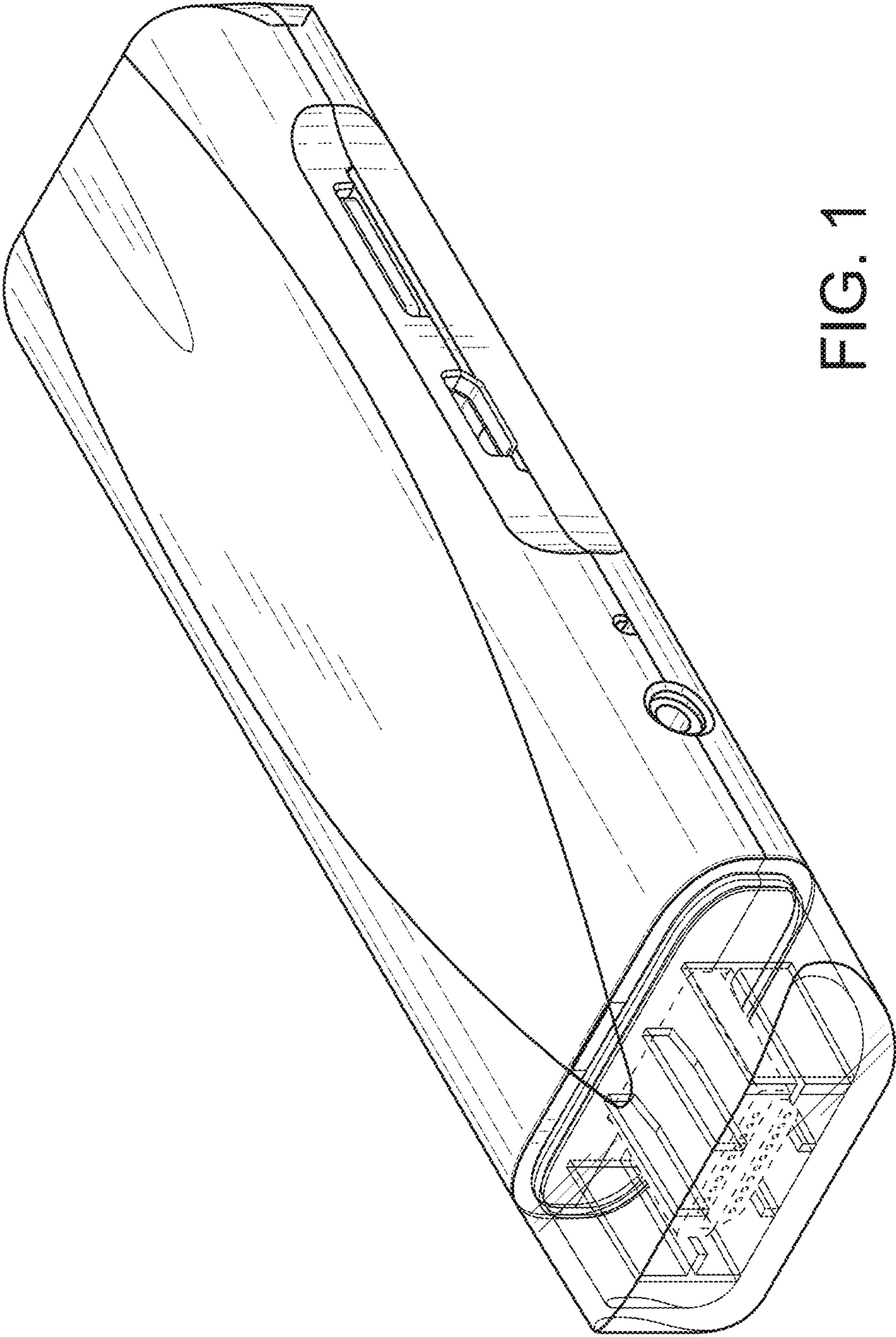


FIG. 1

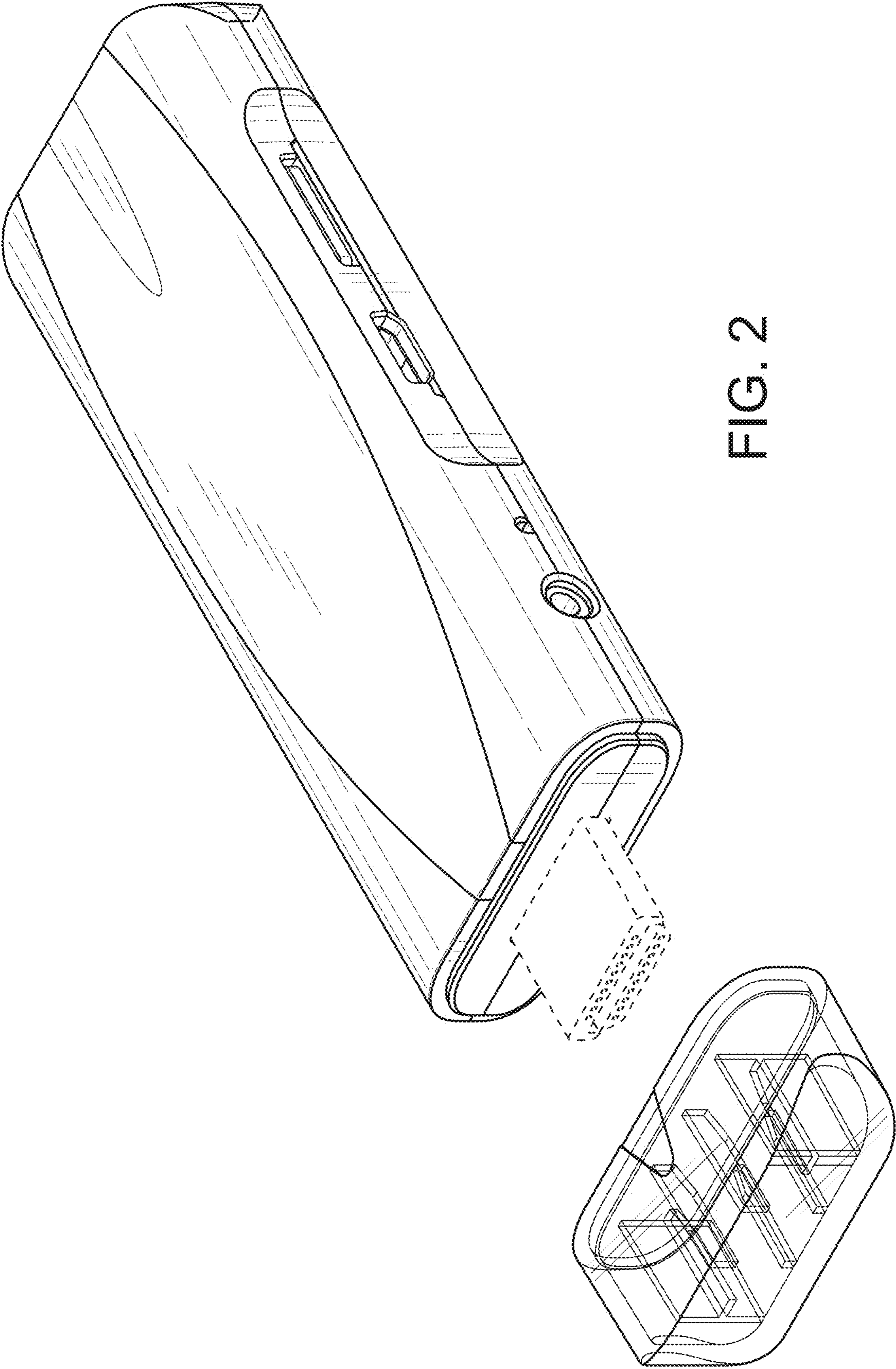


FIG. 2

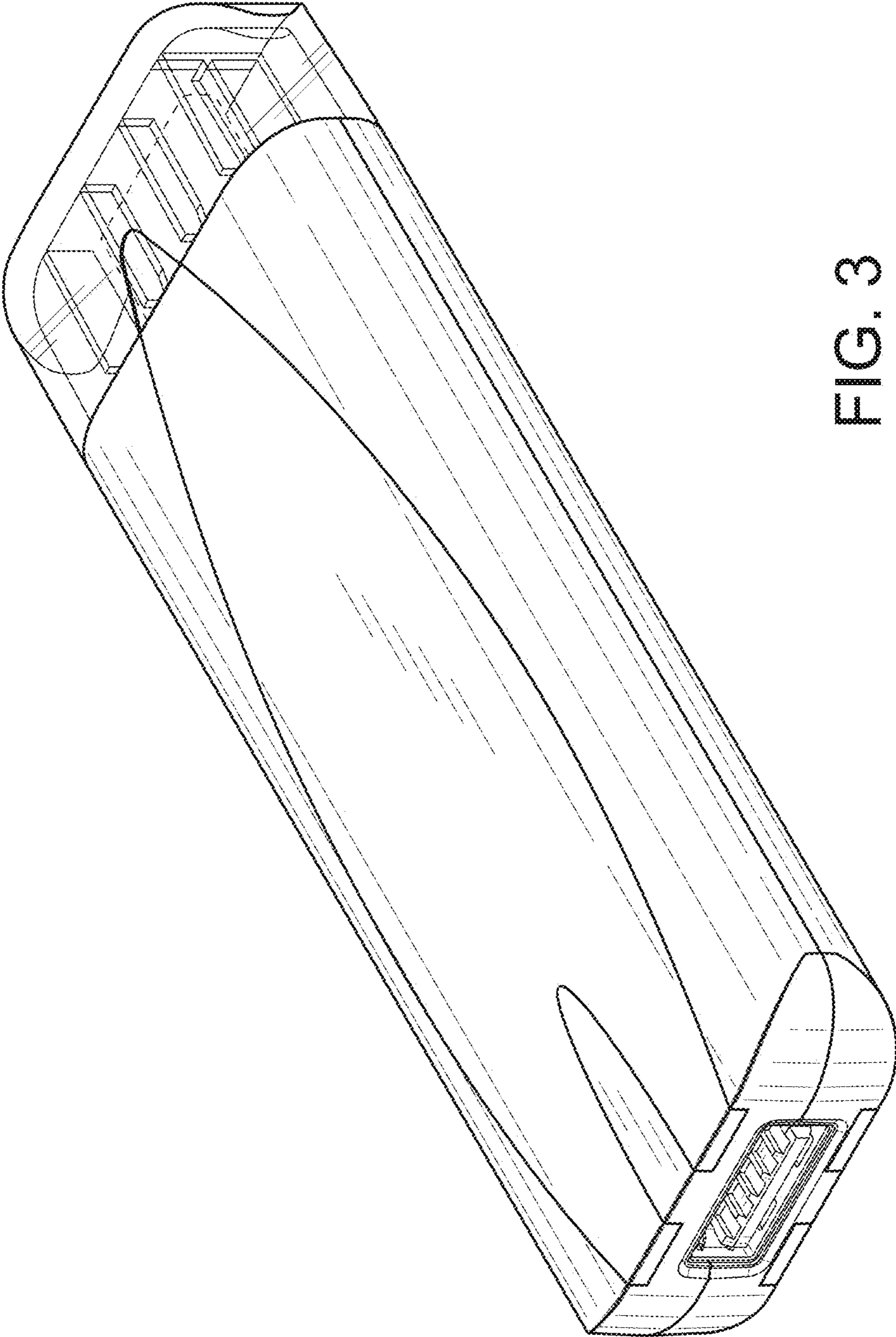


FIG. 3

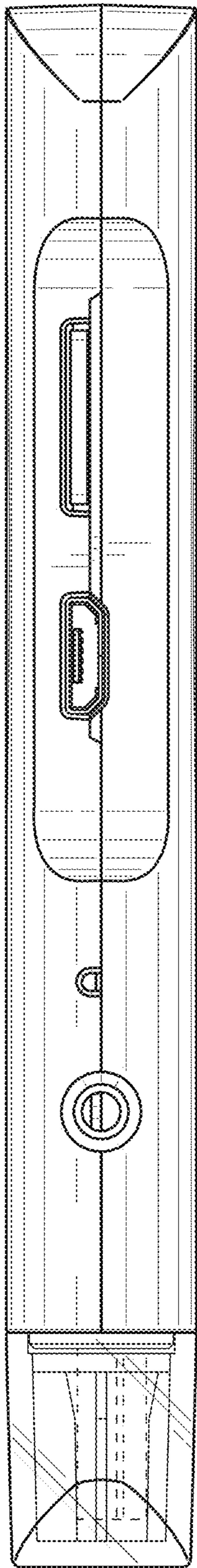


FIG. 4

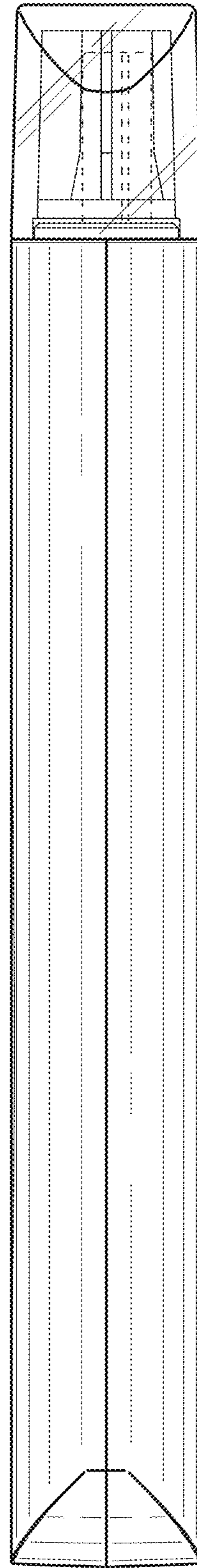


FIG. 5

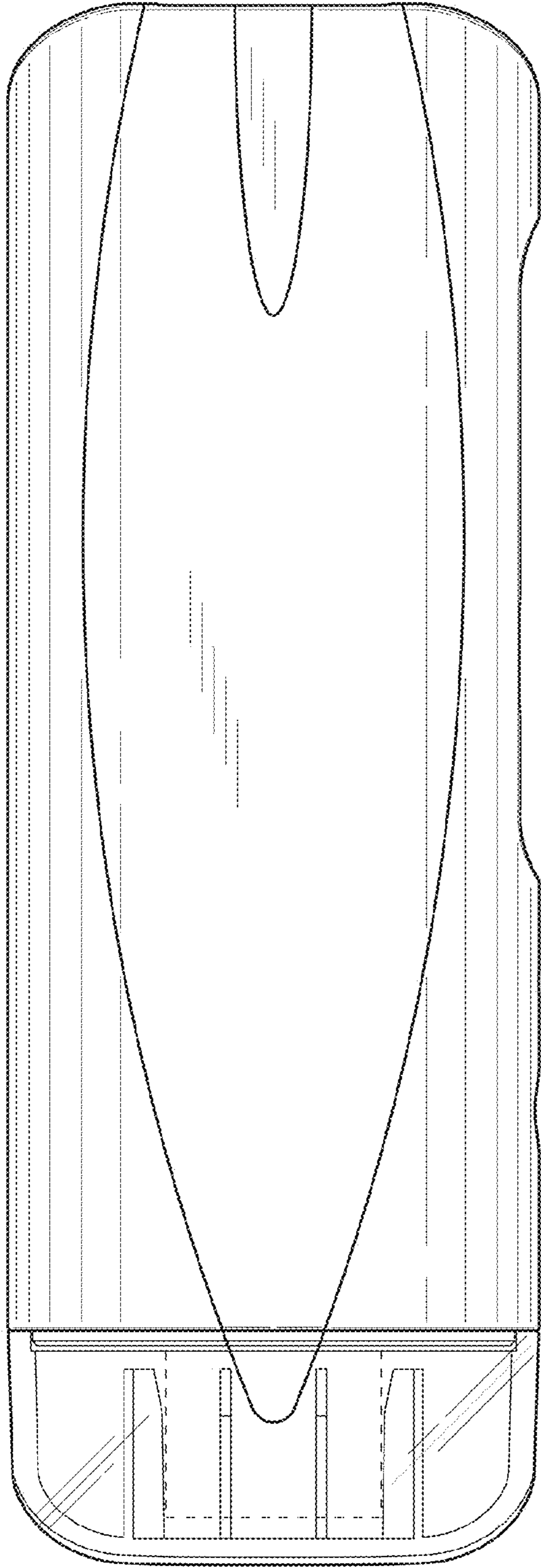


FIG. 6

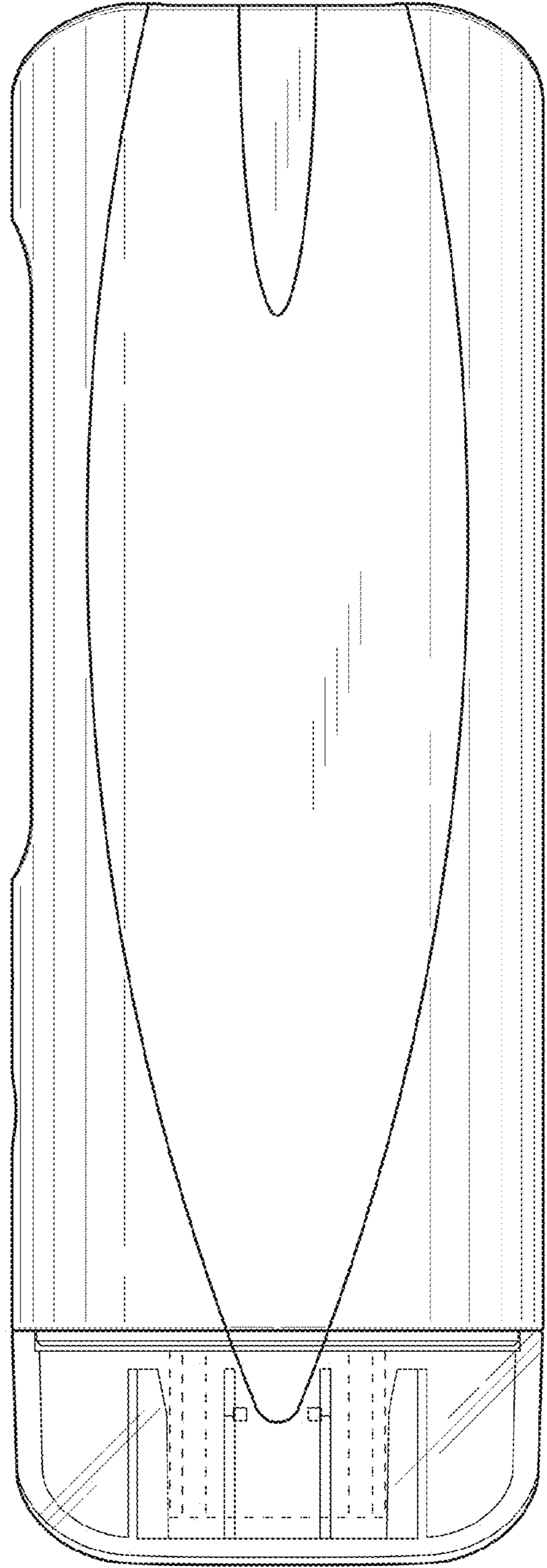


FIG. 7

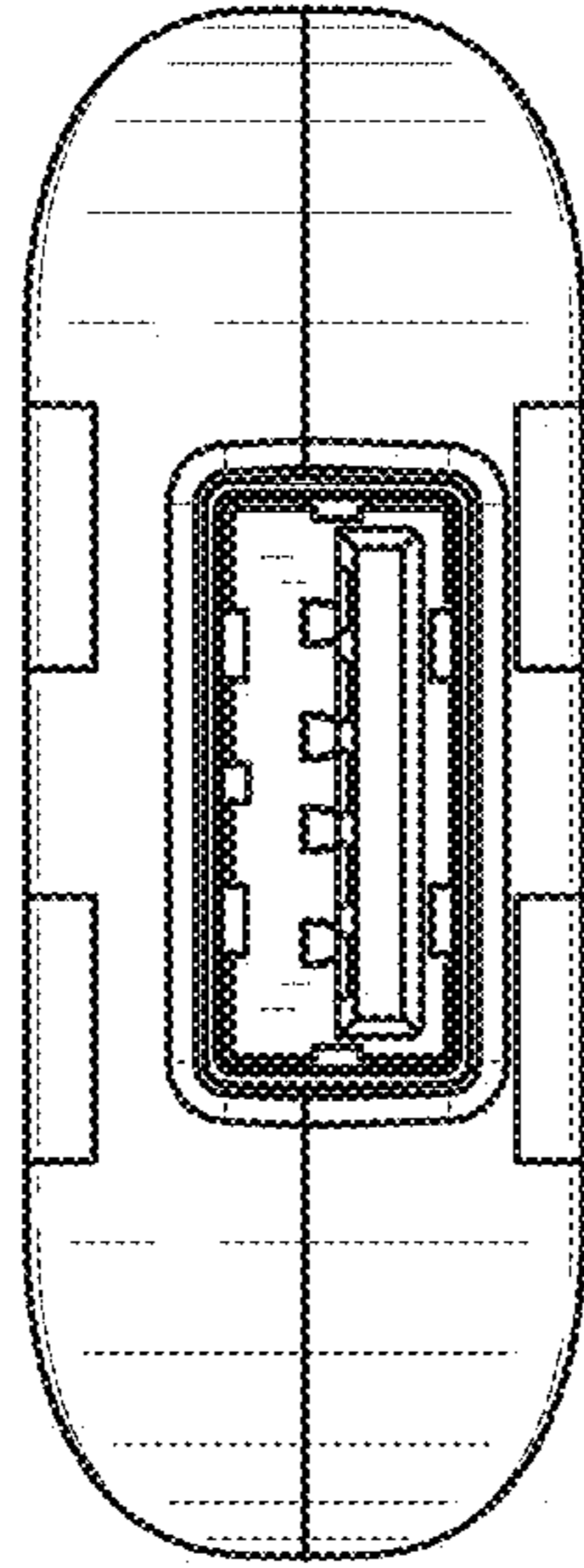


FIG. 9

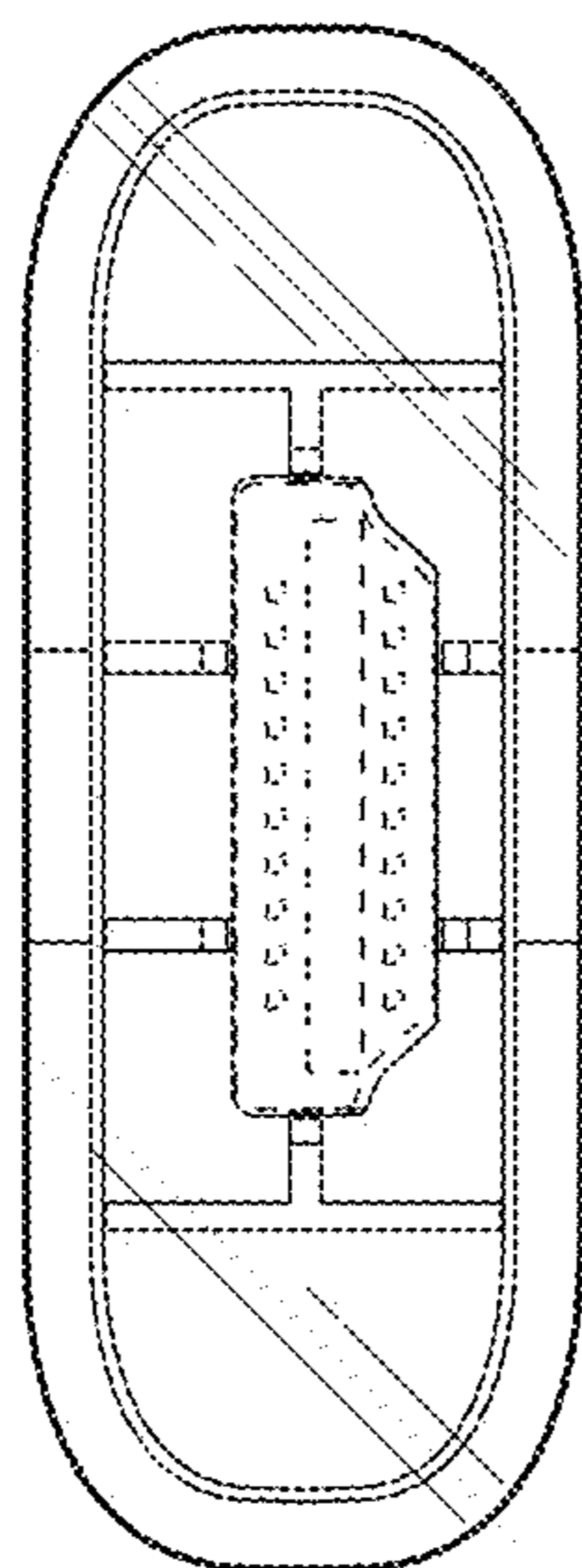


FIG. 8