



US00D945433S

(12) **United States Design Patent** (10) **Patent No.:** **US D945,433 S**
Foster (45) **Date of Patent:** **** Mar. 8, 2022**

(54) **DECORATED DATA STORAGE DISK**
(71) Applicant: **Jennifer Lee Foster**, Sandy Springs, GA (US)
(72) Inventor: **Jennifer Lee Foster**, Sandy Springs, GA (US)
(**) Term: **15 Years**
(21) Appl. No.: **29/652,605**
(22) Filed: **Sep. 30, 2020**
(51) **LOC (13) Cl.** **14-99**
(52) **U.S. Cl.**
USPC **D14/478**
(58) **Field of Classification Search**
USPC D14/478, 348, 363, 367, 432, 433, 357, D14/496, 160, 161, 164, 166, 217, 238.1, D14/299, 474, 475, 476, 477, 473; D11/131, 132, 152, 164
CPC G11B 5/012; G11B 5/5578; G11B 5/74; G11B 5/82; G11B 21/106; G11B 2220/20; G11B 2220/23; G11B 2220/235; G11B 2220/25; G11B 2220/2504; G11B 2220/2508; G11B 2220/2516
See application file for complete search history.

D380,701 S * 7/1997 Weder D11/164
D430,819 S * 9/2000 Young D11/117
D435,853 S * 1/2001 Mehta D14/478
D453,521 S * 2/2002 Haruna D14/478
D464,974 S * 10/2002 Abeyta D14/478
D500,504 S * 1/2005 Boissonneault D14/478
D505,680 S * 5/2005 Boissonneault D14/478
D507,001 S * 7/2005 Boissonneault D14/478
D514,564 S * 2/2006 Sato D14/363
D525,628 S * 7/2006 Clatterbuck D14/478
D526,652 S * 8/2006 Clatterbuck D14/478
D527,009 S * 8/2006 Clatterbuck D14/478
D531,180 S * 10/2006 Goto D14/432
D549,711 S * 8/2007 Hakoyama D14/478
D619,559 S * 7/2010 Voorhees D14/203.6
D697,070 S * 1/2014 Sabry B29C 45/263
D14/478
2002/0132083 A1 * 9/2002 Weller G11B 5/746
428/845.6

(Continued)

Primary Examiner — Marie D. Fast Horse
(74) *Attorney, Agent, or Firm* — Dunlap Bennett & Ludwig, PLLC; Anna L. Kinney

(57) **CLAIM**

The ornamental design for a decorated data storage disk, as shown and described.

DESCRIPTION

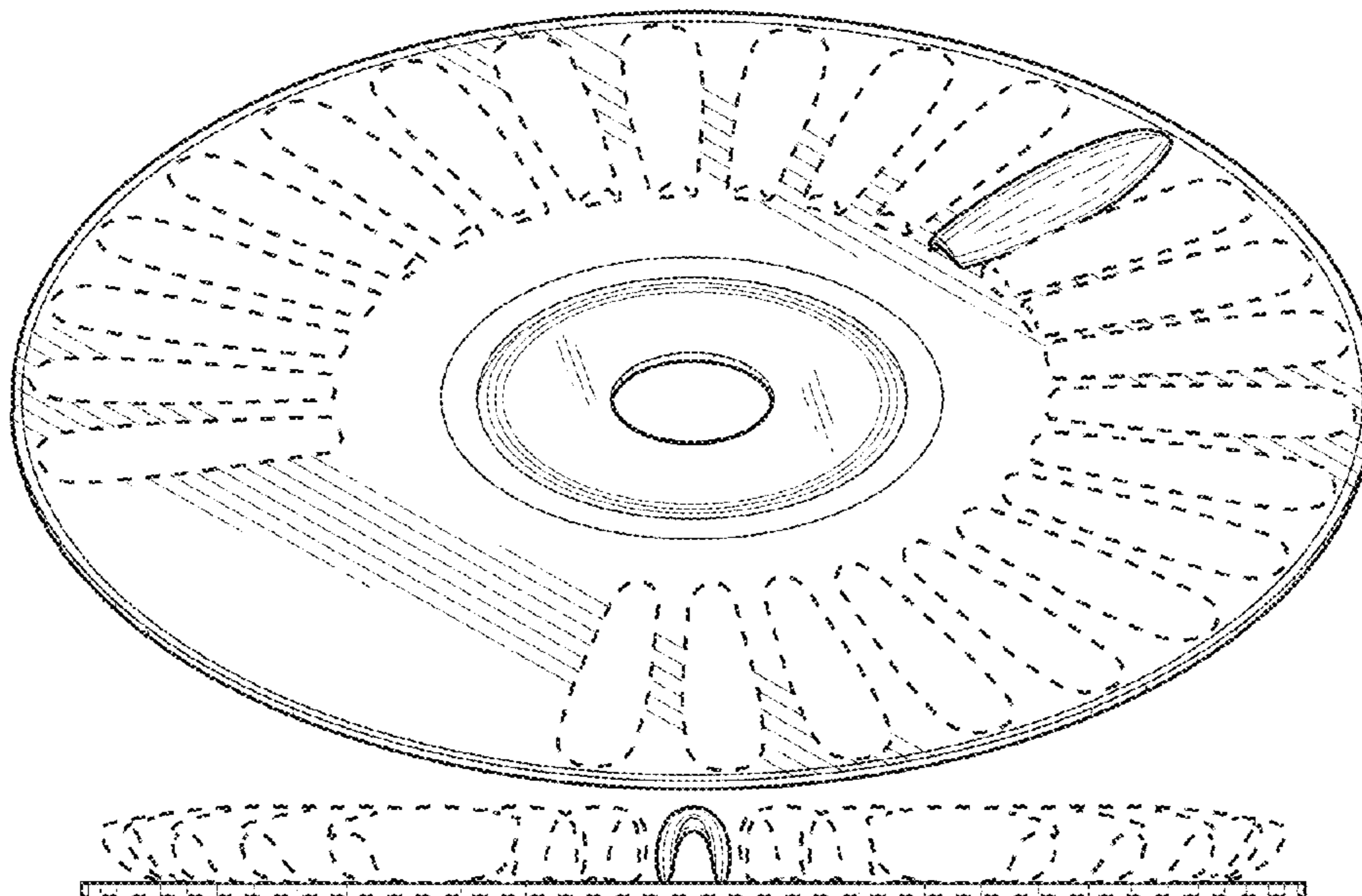
FIG. 1 is a front perspective view of a decorated data storage disk showing my new design;
FIG. 2 is a right side view thereof;
FIG. 3 is a left side view thereof;
FIG. 4 is a front elevation view thereof;
FIG. 5 is a rear elevation view thereof;
FIG. 6 is a top plan view thereof; and,
FIG. 7 is a bottom plan view thereof.
The broken lines shown in the drawings depict environmental structure that forms no part of the claimed invention.

1 Claim, 4 Drawing Sheets

(56) **References Cited**

U.S. PATENT DOCUMENTS

3,135,389 A * 6/1964 Farley A47G 25/005
211/37
D206,382 S * 12/1966 Moore D14/478
3,524,176 A * 8/1970 Ugo G11B 5/004
360/131
D248,753 S * 8/1978 Pulse D14/478
4,313,191 A * 1/1982 Winslow G11B 7/013
369/109.01
D293,435 S * 12/1987 Maeda 242/611.2
D293,436 S * 12/1987 Maeda 242/611.2



(56)

References Cited

U.S. PATENT DOCUMENTS

2002/0150794 A1* 10/2002 Hamada G11B 23/505
428/838
2002/0150795 A1* 10/2002 Kodama G11B 5/7369
428/831
2004/0201912 A1* 10/2004 Tsubata B82Y 10/00
360/15
2005/0094298 A1* 5/2005 Sakurai G11B 5/746
360/15
2005/0128629 A1* 6/2005 Ehrlich G11B 5/5552
360/75
2007/0002481 A1* 1/2007 Kikitsu G11B 5/743
360/48
2009/0214897 A1* 8/2009 Sato G11B 5/82
428/848.3
2009/0237829 A1* 9/2009 Ozawa G11B 5/743
360/75
2010/0014187 A1* 1/2010 Winarski G11B 5/78
360/75
2010/0246046 A1* 9/2010 Nishikawa G11B 5/855
360/55
2011/0255193 A1* 10/2011 Hieda G11B 5/855
360/135
2017/0025134 A1* 1/2017 Pinhas G11B 21/046

* cited by examiner

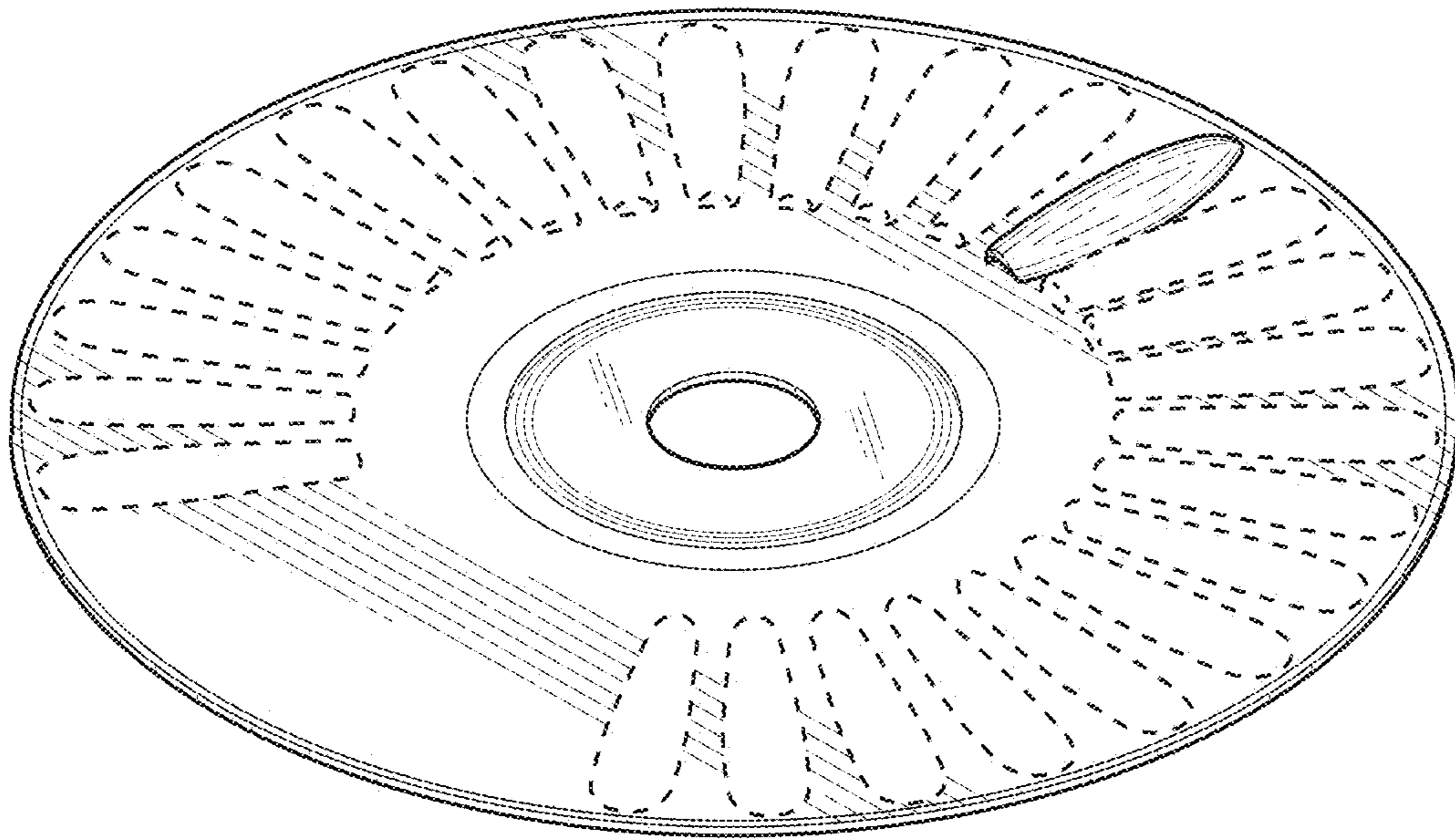


FIG. 1

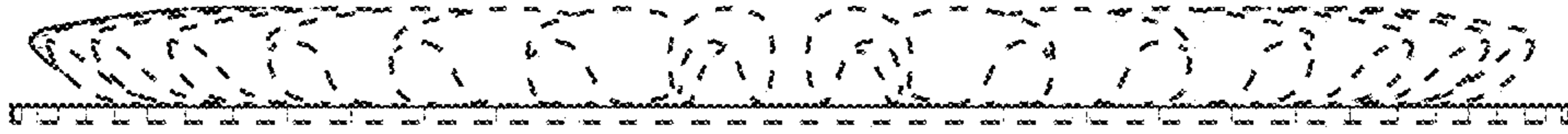


FIG. 2

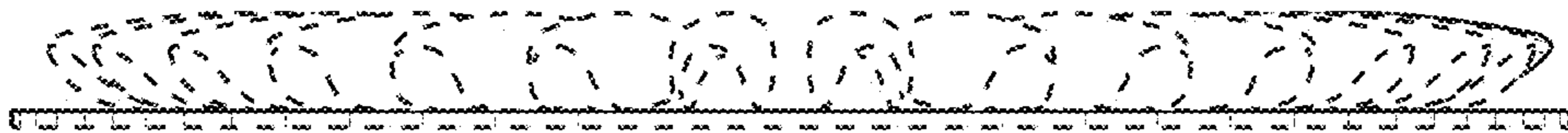


FIG. 3



FIG. 4



FIG. 5

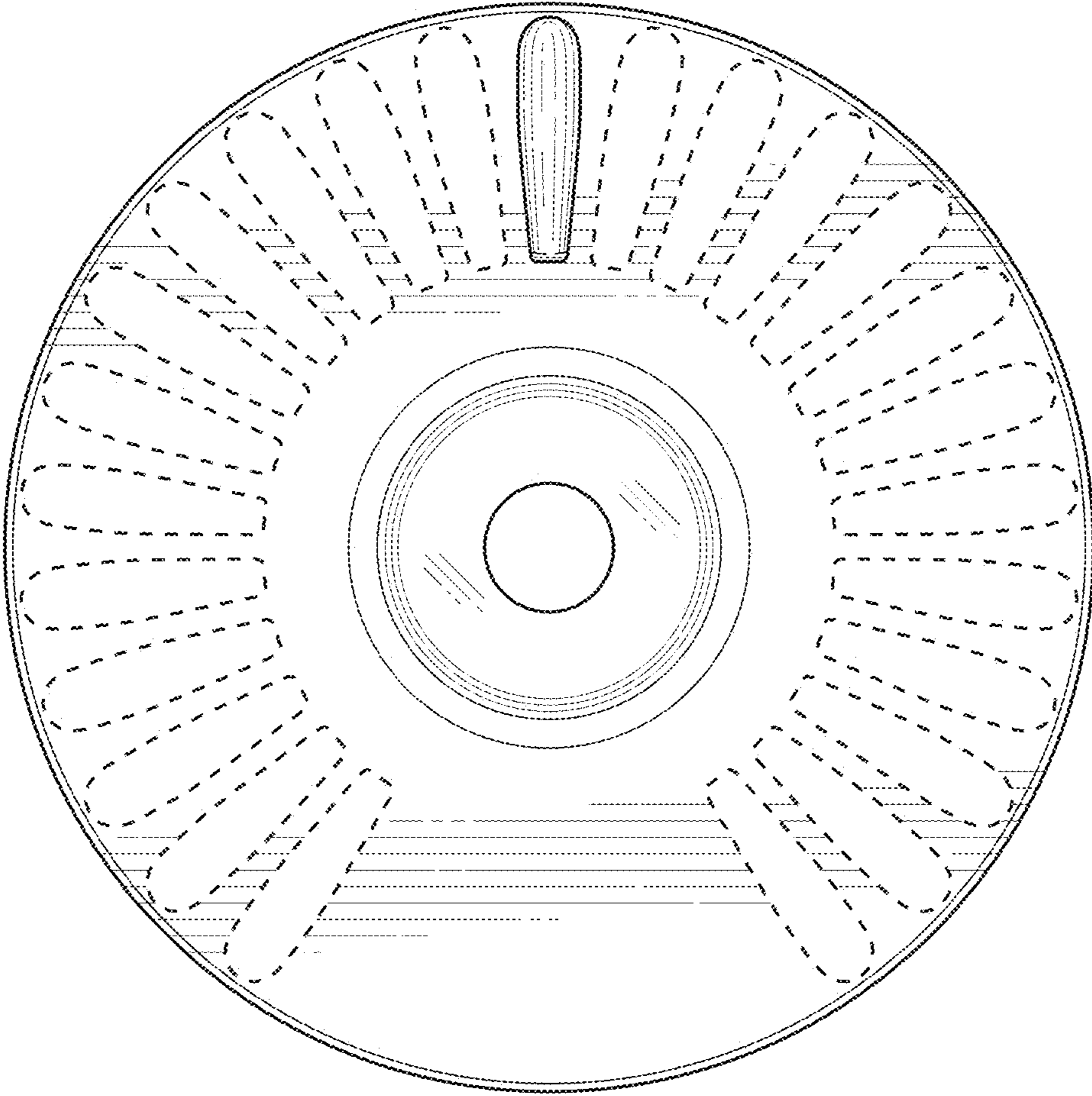


FIG. 6

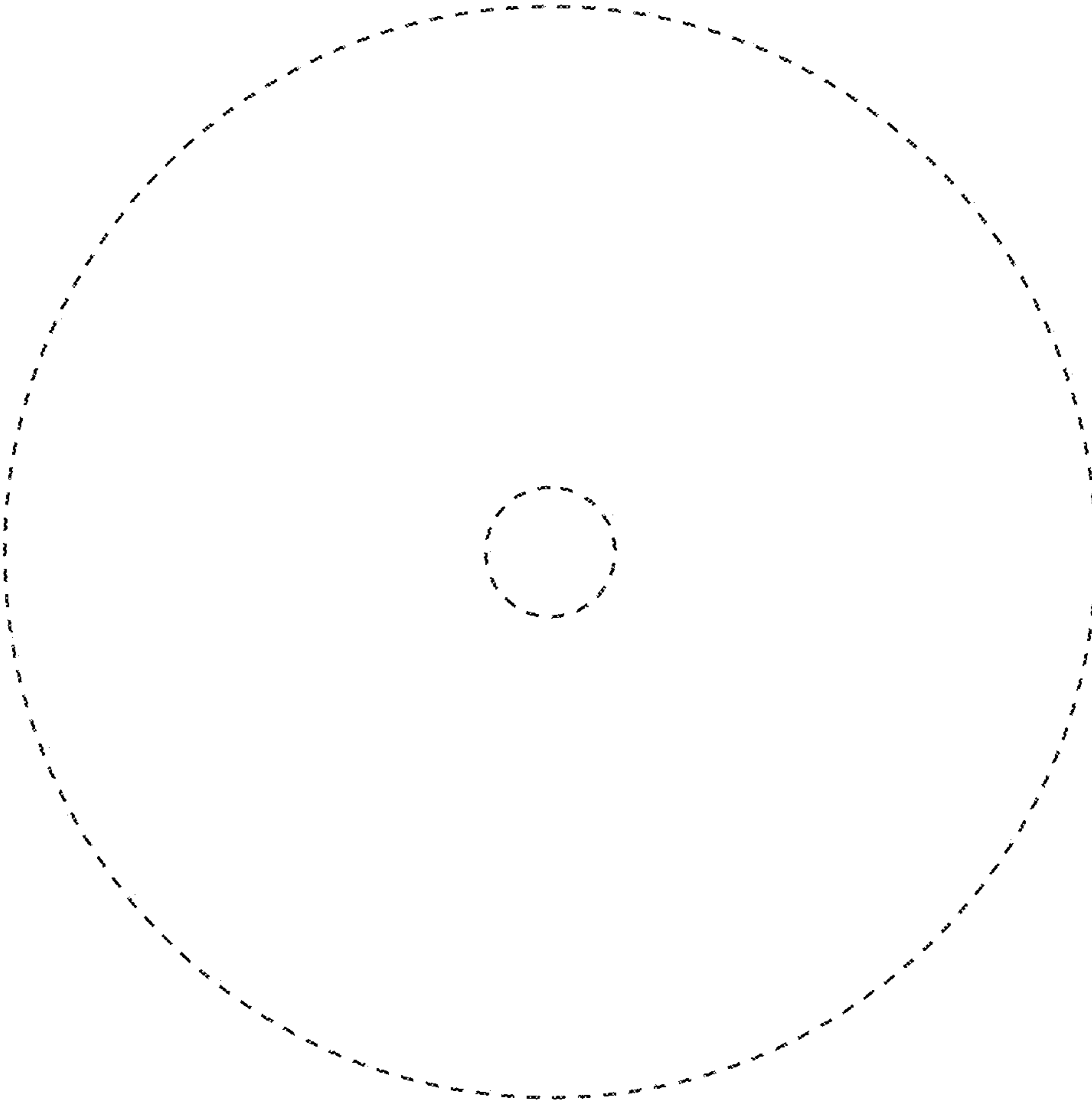


FIG. 7