



US00D945429S

(12) **United States Design Patent**  
**Jin**

(10) **Patent No.:** **US D945,429 S**

(45) **Date of Patent:** **\*\* Mar. 8, 2022**

- (54) **DESKTOP ELEVATING STAND**
- (71) Applicant: **Shenzhen Bestqi Innovation Technology Co., Ltd**, Shenzhen (CN)
- (72) Inventor: **Wenwu Jin**, Shenzhen (CN)
- (\*\*) Term: **15 Years**
- (21) Appl. No.: **29/759,431**
- (22) Filed: **Nov. 23, 2020**
- (51) **LOC (13) Cl.** ..... **08-07**
- (52) **U.S. Cl.**  
USPC ..... **D14/447**
- (58) **Field of Classification Search**  
USPC ..... D14/447, 432, 434, 439, 440, 451, 452,  
D14/457, 239, 253; D8/363, 373, 380;  
D6/406.3, 406.4, 406.5, 406.6; D12/415;  
D21/333, 332  
CPC ..... A47B 21/04; A47B 2097/006; A47B  
2097/005; A47B 2023/049; A45C  
2011/002; A45C 2011/003; F16M  
2200/00; F16M 13/00  
See application file for complete search history.

- D376,787 S \* 12/1996 Calfee ..... D14/451
- D399,834 S \* 10/1998 Calfee ..... D14/451
- D470,533 S \* 2/2003 Stravitz ..... D14/252
- D505,427 S \* 5/2005 Bain ..... D14/451
- D506,204 S \* 6/2005 Bain ..... D14/451
- D583,821 S \* 12/2008 Richter ..... D14/447
- D591,517 S \* 5/2009 Molenaar ..... D14/439
- D678,887 S \* 3/2013 Stravitz ..... D14/451
- D722,061 S \* 2/2015 Byrne ..... D14/447
- D864,211 S \* 10/2019 Tuang ..... D14/451
- D907,645 S \* 1/2021 Chen ..... D14/451

\* cited by examiner

*Primary Examiner* — Angela J Lee  
(74) *Attorney, Agent, or Firm* — W&K IP

(57) **CLAIM**

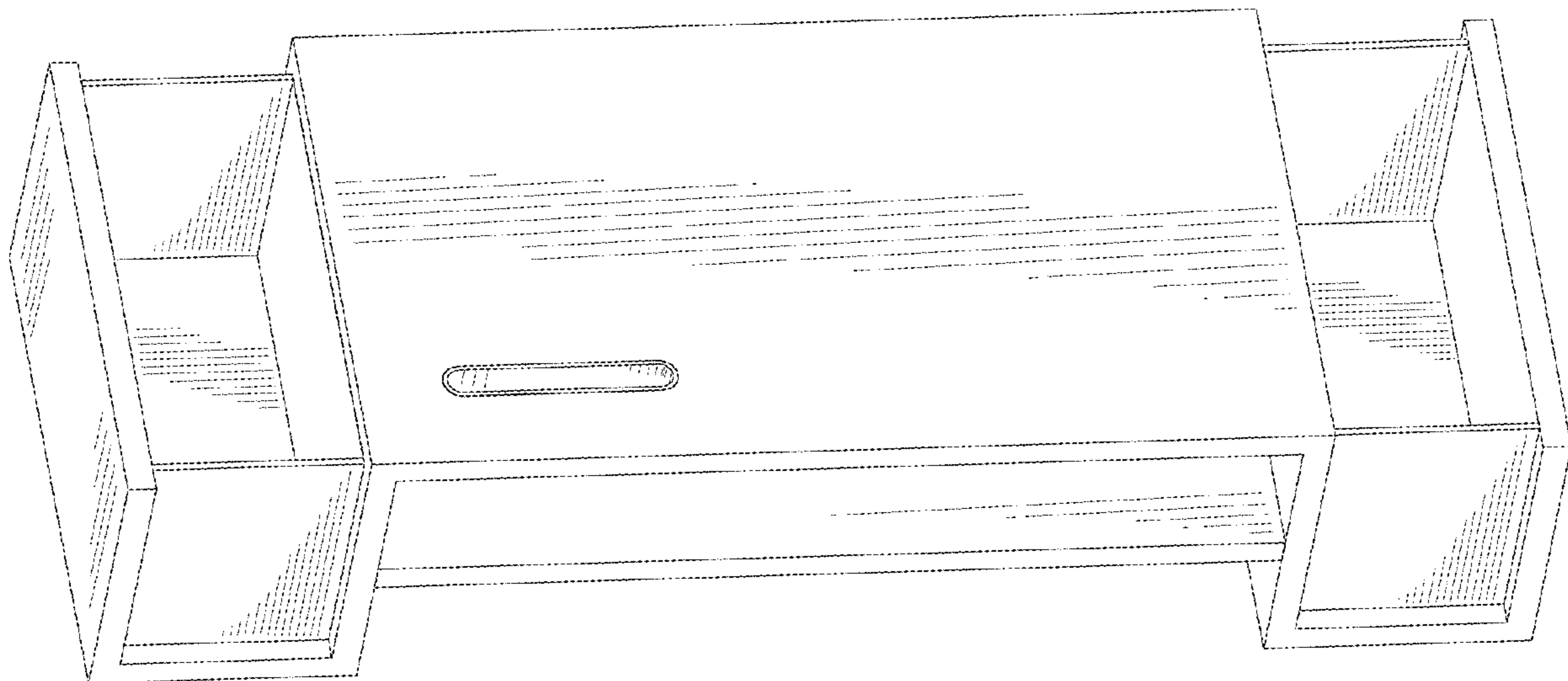
The ornamental design for a desktop elevating stand, as shown and described.

**DESCRIPTION**

FIG. 1 is a perspective view of a desktop elevating stand showing my new design;  
FIG. 2 is another perspective view thereof  
FIG. 3 is a front view thereof;  
FIG. 4 is a rear view thereof;  
FIG. 5 is a left side view thereof;  
FIG. 6 is a right side view thereof;  
FIG. 7 is a top plan view thereof; and,  
FIG. 8 is a bottom plan view thereof.

**1 Claim, 8 Drawing Sheets**

- (56) **References Cited**  
U.S. PATENT DOCUMENTS  
D359,179 S \* 6/1995 Cucinotta ..... D14/447  
D362,358 S \* 9/1995 Hatcher ..... D14/447



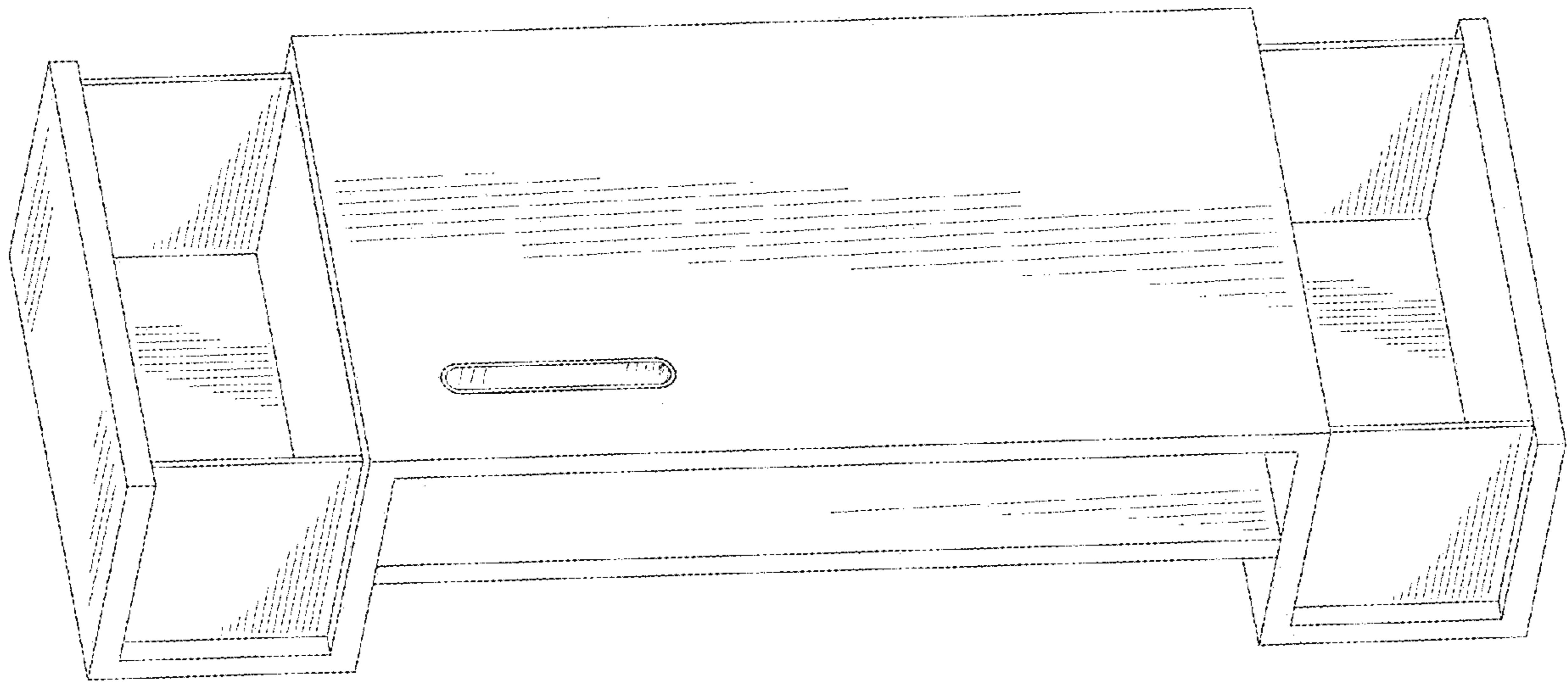


FIG.1

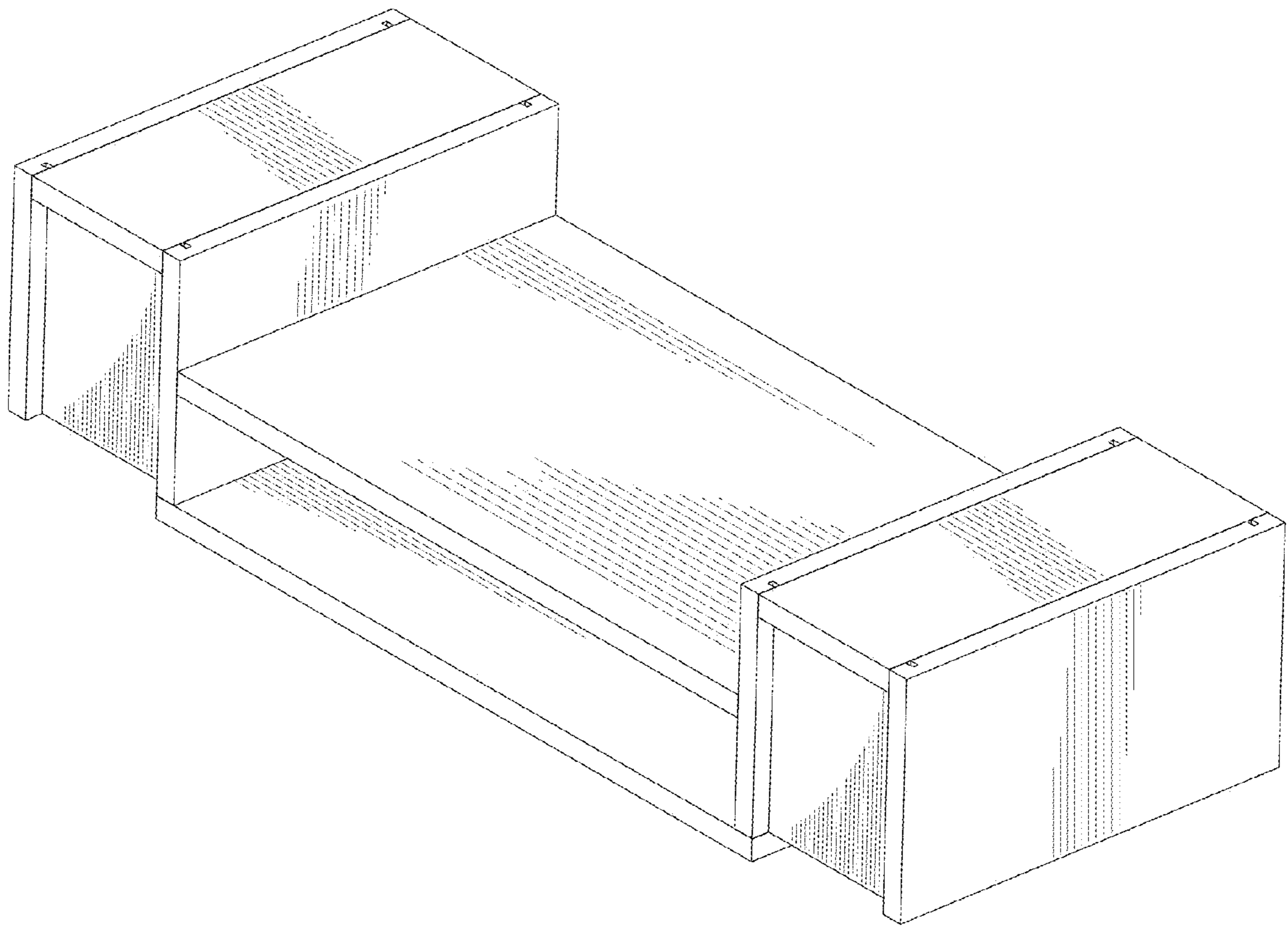


FIG.2

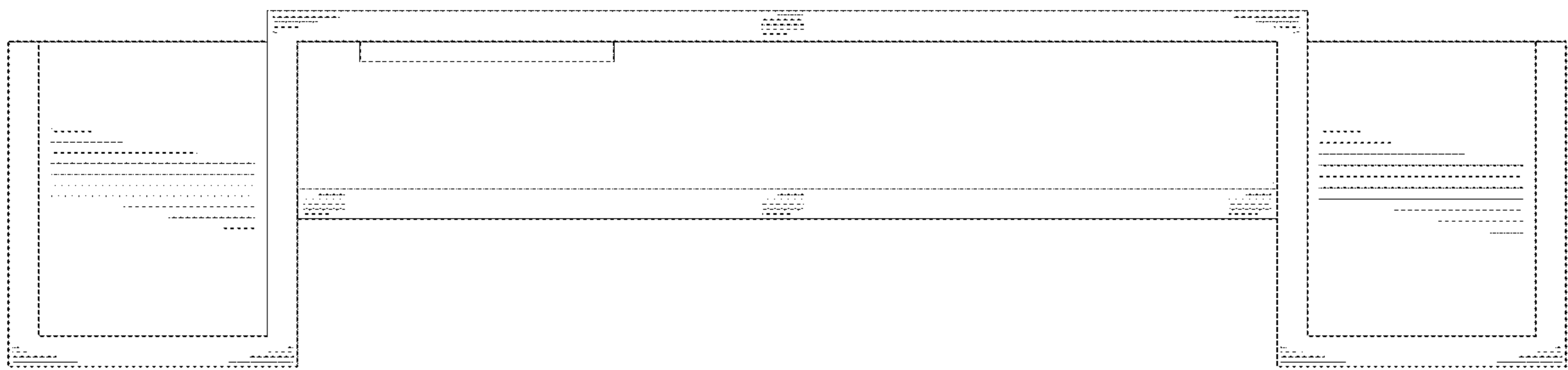


FIG.3

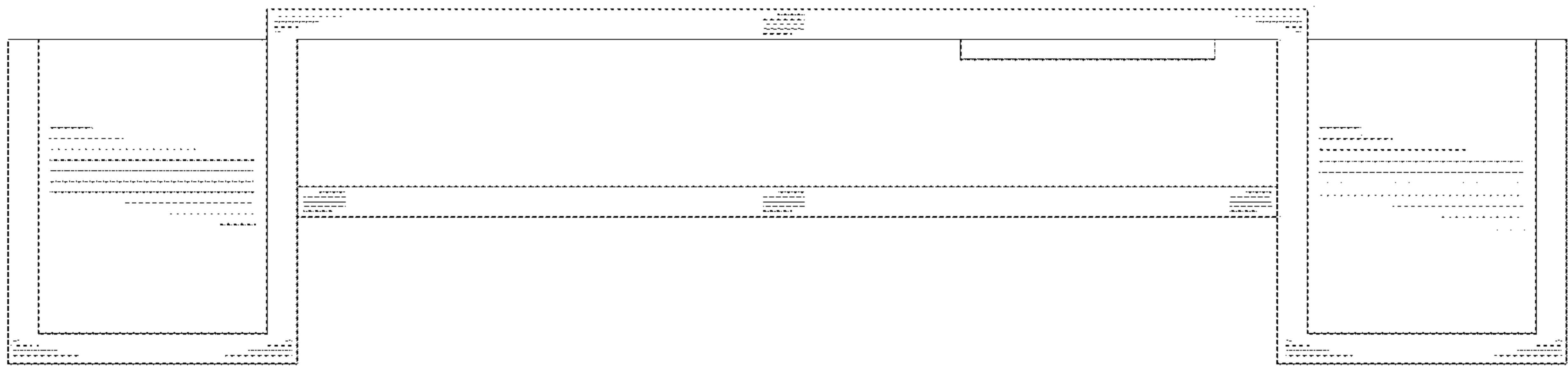


FIG.4

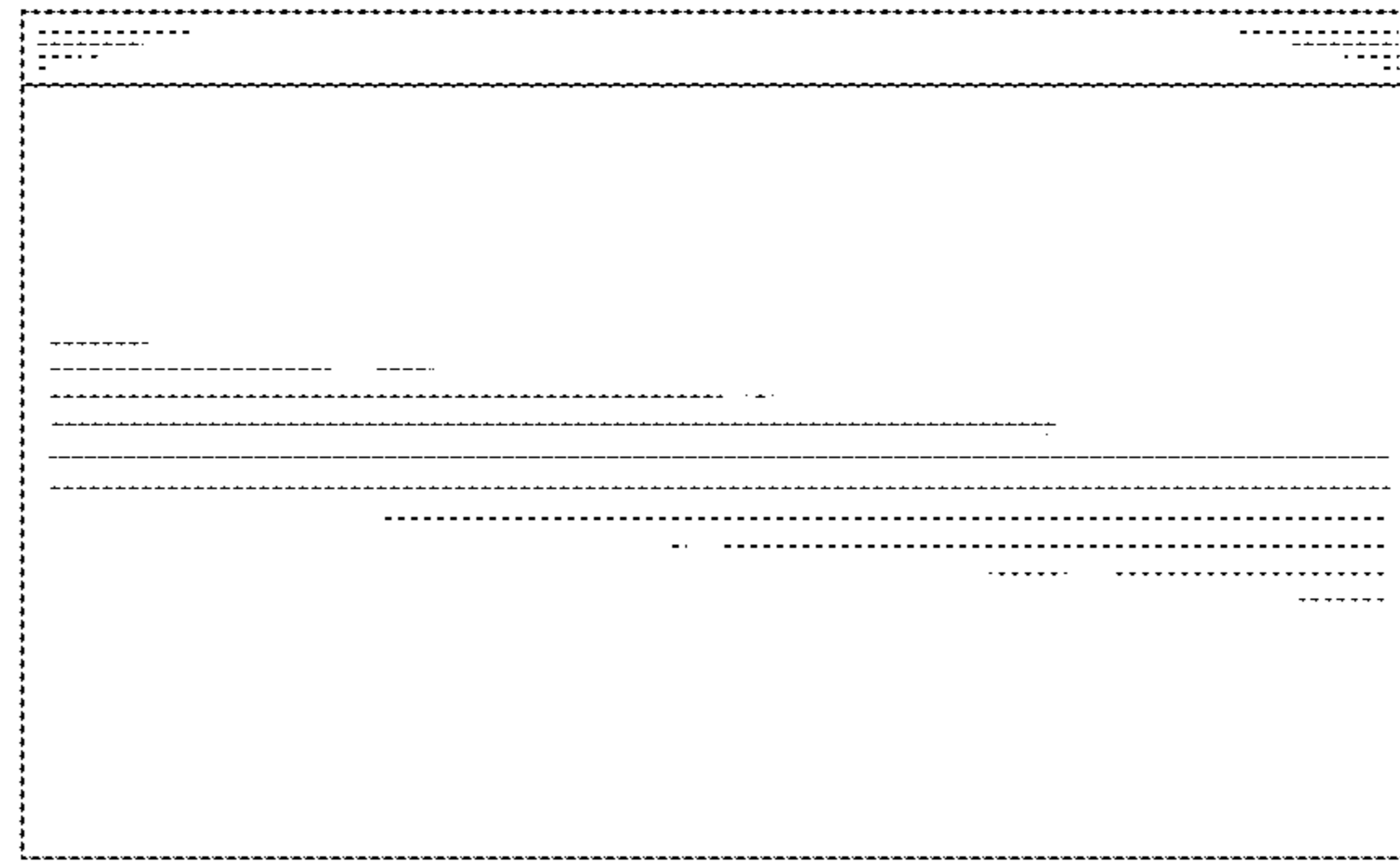


FIG.5

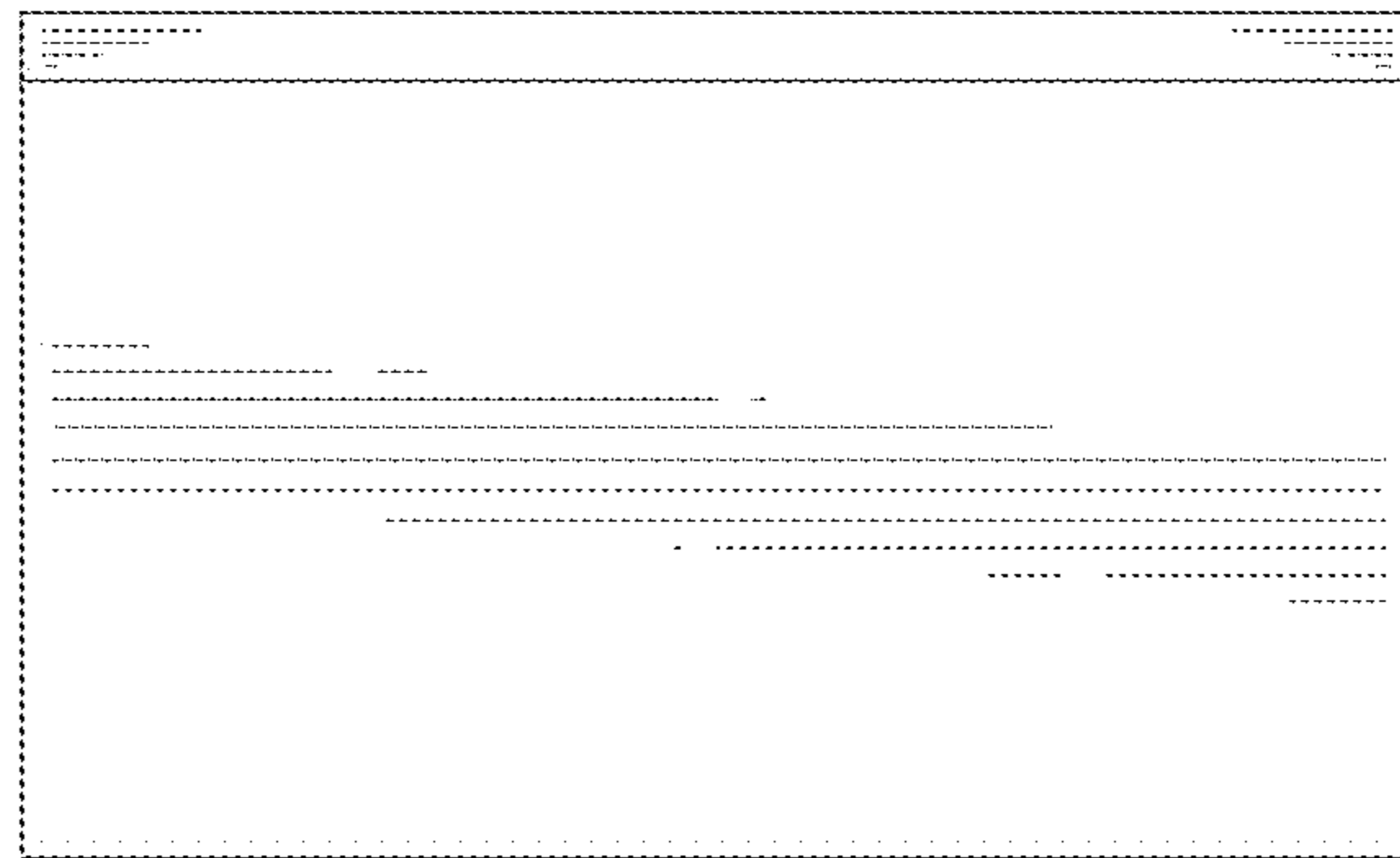


FIG.6

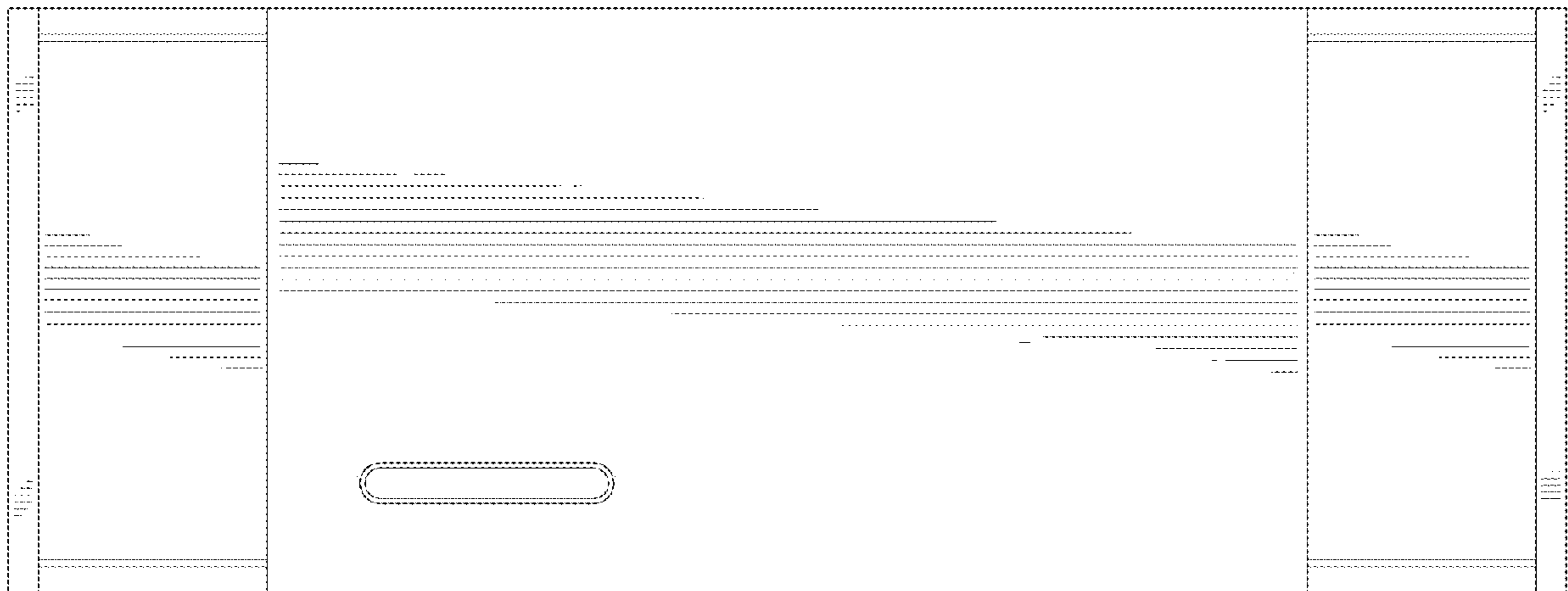


FIG. 7



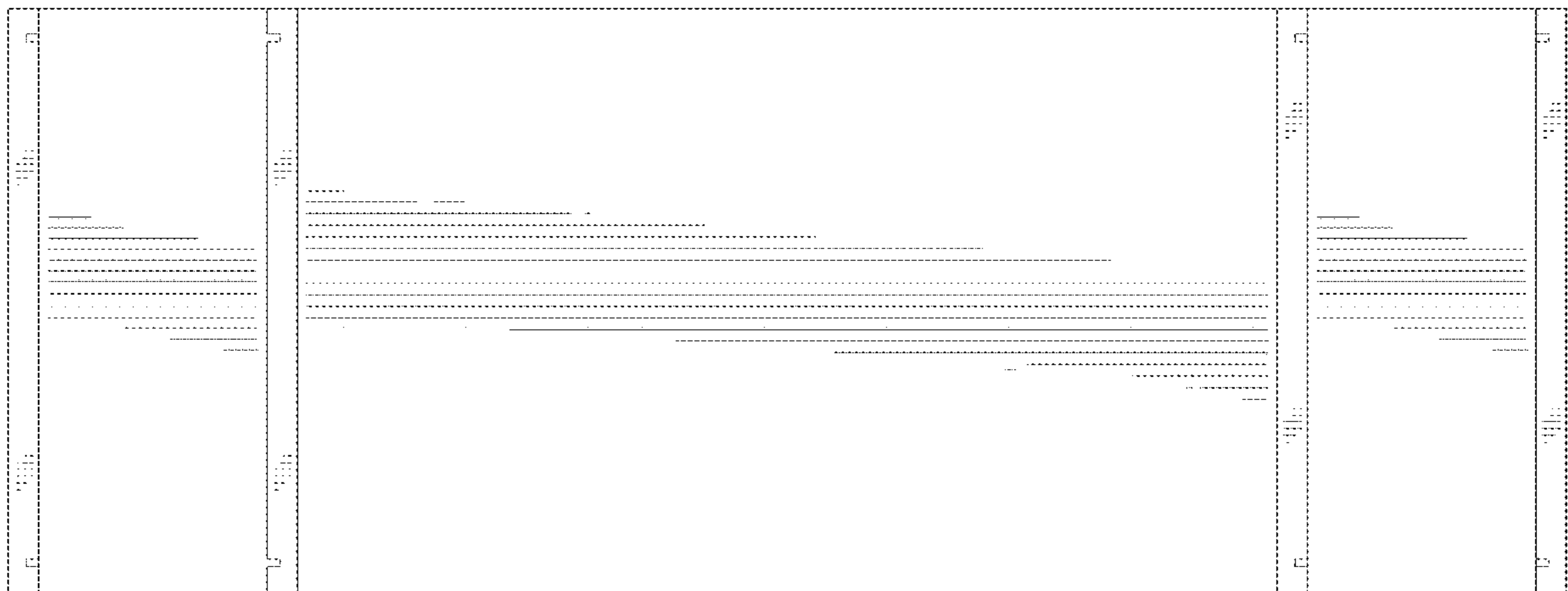


FIG. 8