

US00D945427S

(12) **United States Design Patent**
Zhong

(10) **Patent No.:** **US D945,427 S**
(45) **Date of Patent:** **** Mar. 8, 2022**

(54) **HANDLE FOR PORTABLE ELECTRONIC DEVICE**

(71) Applicant: **Getac Technology Corporation**,
Hsinchu County (TW)

(72) Inventor: **Shi-Liang Zhong**, Taipei (TW)

(73) Assignee: **Getac Technology Corporation**,
Hsinchu County (TW)

(**) Term: **15 Years**

(21) Appl. No.: **29/711,309**

(22) Filed: **Oct. 30, 2019**

(51) **LOC (13) Cl.** **14-02**

(52) **U.S. Cl.**
USPC **D14/439**

(58) **Field of Classification Search**
USPC D14/341-347, 424, 425, 432-453, 464,
D14/468, 469, 471, 496, 511, 138 AA,
D14/138 AD, 138 C, 138 G, 203.1-203.8,
D14/217, 238.1, 248, 250, 257, 299;
361/679.01, 679.02, 679.03, 679.3,
361/679.55, 679.56; 455/550.1, 556.1,
455/556.2, 575.1, 575.3-575.5, 575.8,
455/90.3
CPC A45C 11/00; A45C 2011/003; B60R
11/0252; F16M 13/00; F16M 11/00
See application file for complete search history.

(56) **References Cited**

U.S. PATENT DOCUMENTS

- 4,364,150 A * 12/1982 Remington A45C 13/26
16/409
- D718,315 S * 11/2014 Carpenter D14/439
- D755,794 S * 5/2016 Li D14/439
- D772,233 S * 11/2016 Kuo D14/439

- D778,282 S * 2/2017 Takiguchi D14/434
- D845,955 S * 4/2019 Zhong D14/439
- D893,494 S * 8/2020 Zhong D14/439
- D900,825 S * 11/2020 Zhong D14/434
- D911,332 S * 2/2021 Zhong D14/385
- 10,935,183 B2 * 3/2021 Zhong F16M 13/005
- D937,842 S * 12/2021 Hung D14/440
- D938,957 S * 12/2021 Lu D14/439
- 2020/0318781 A1 * 10/2020 Zhong G06F 1/1656

* cited by examiner

Primary Examiner — Austin Murphy

(74) *Attorney, Agent, or Firm* — Locke Lord LLP; Tim Tingkang Xia, Esq.

(57) **CLAIM**

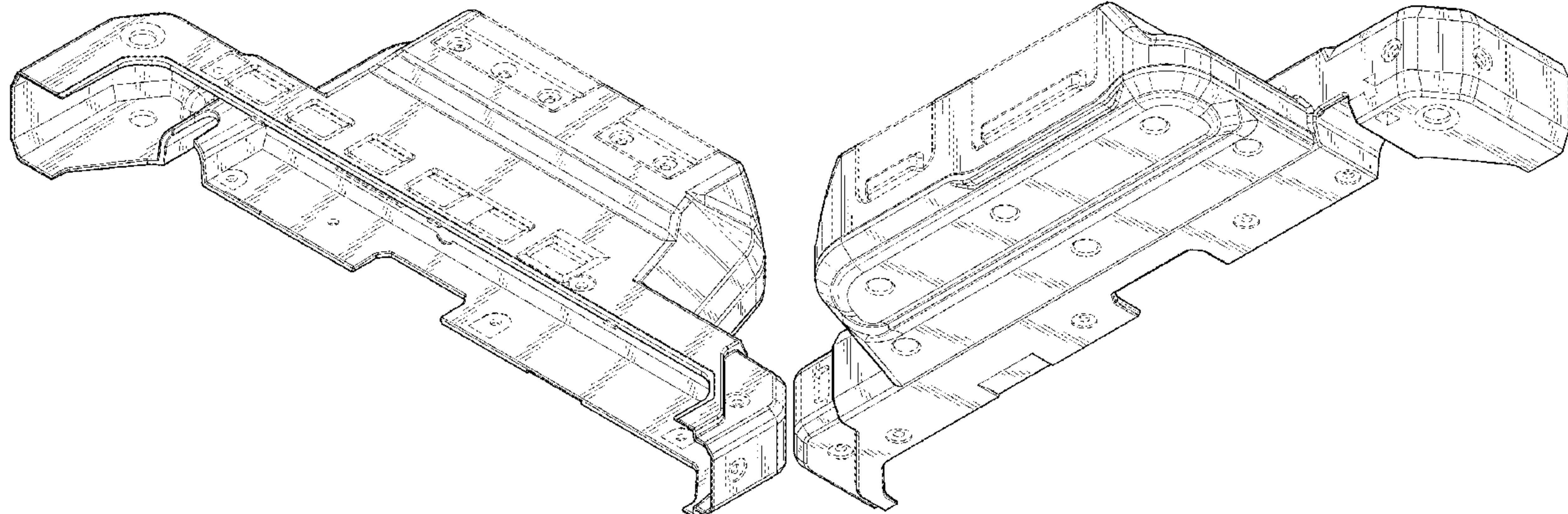
The ornamental design for a handle for portable electronic device, as shown and described.

DESCRIPTION

FIG. 1 is a front, top, right side perspective view of a handle for portable electronic device showing my new design;
 FIG. 2 is a front elevational view thereof;
 FIG. 3 is a rear elevational view thereof;
 FIG. 4 is a left side elevational view thereof;
 FIG. 5 is a right side elevational view thereof;
 FIG. 6 is a top plan view thereof;
 FIG. 7 is a bottom plan view thereof;
 FIG. 8 is a front, top, left side perspective view thereof;
 FIG. 9 is a rear, bottom, right side perspective view thereof;
 and,
 FIG. 10 is a front, top, right side perspective view of the handle for portable electronic device shown in a reference view of usage.

The broken lines are shown for the purpose of illustrating environmental structure that forms no part of the claimed design.

1 Claim, 8 Drawing Sheets



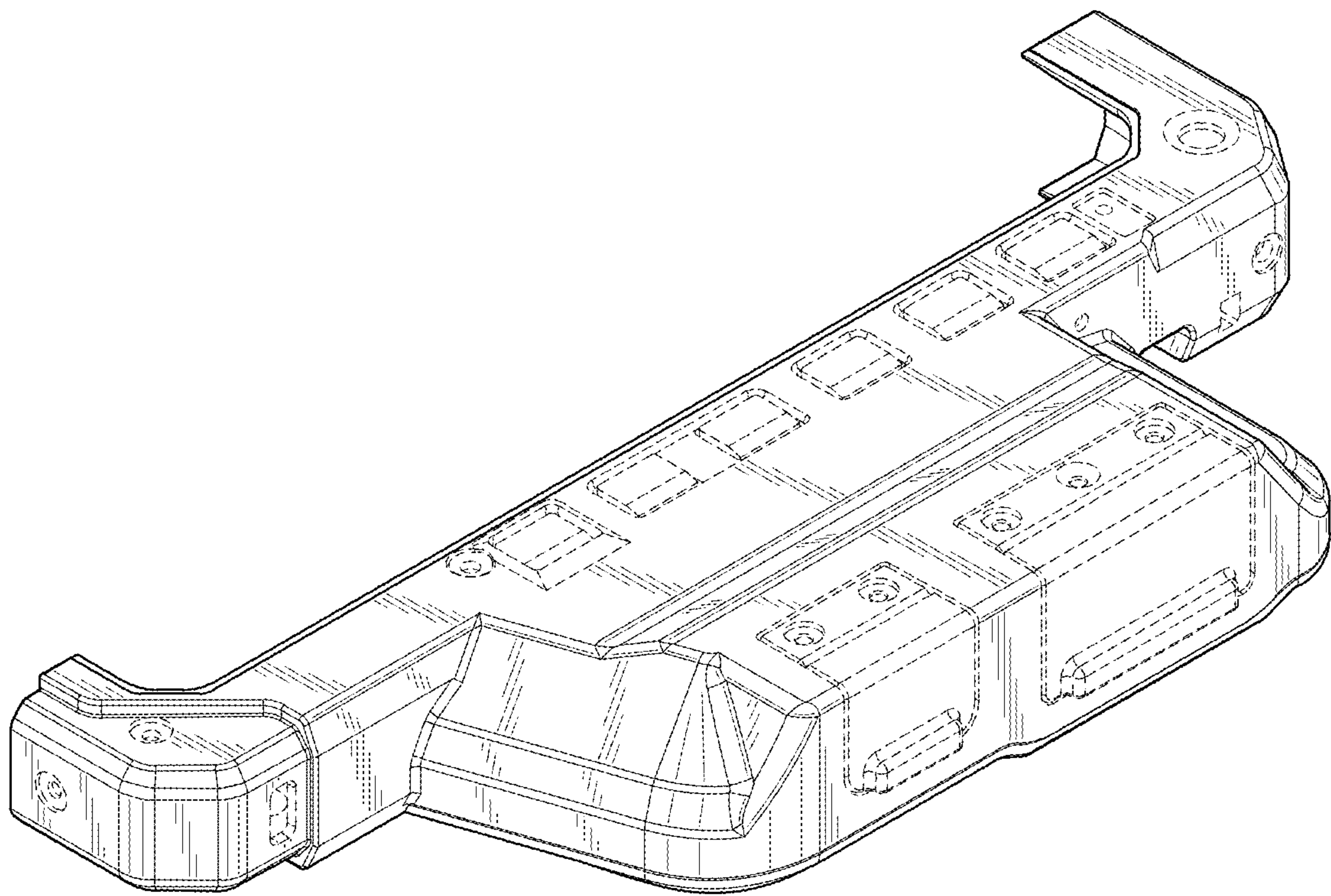


FIG. 1

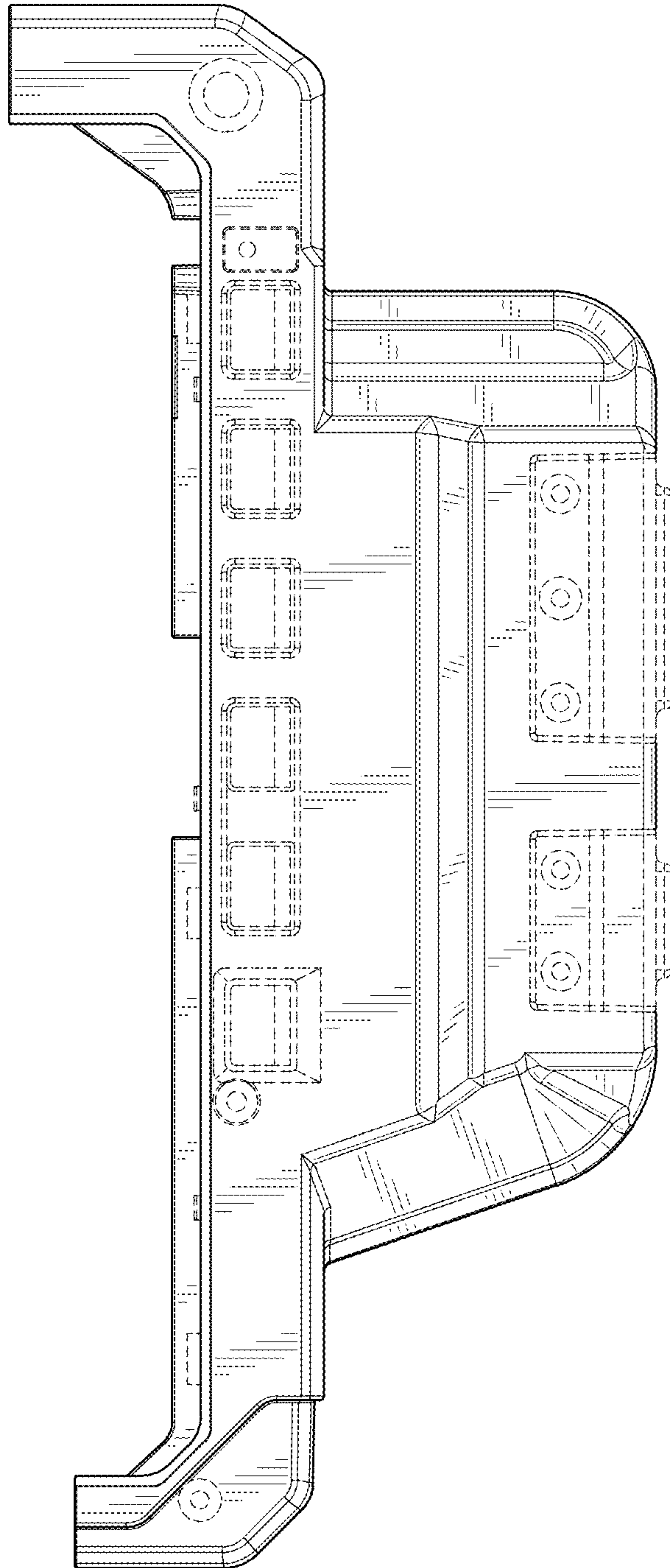


FIG. 2

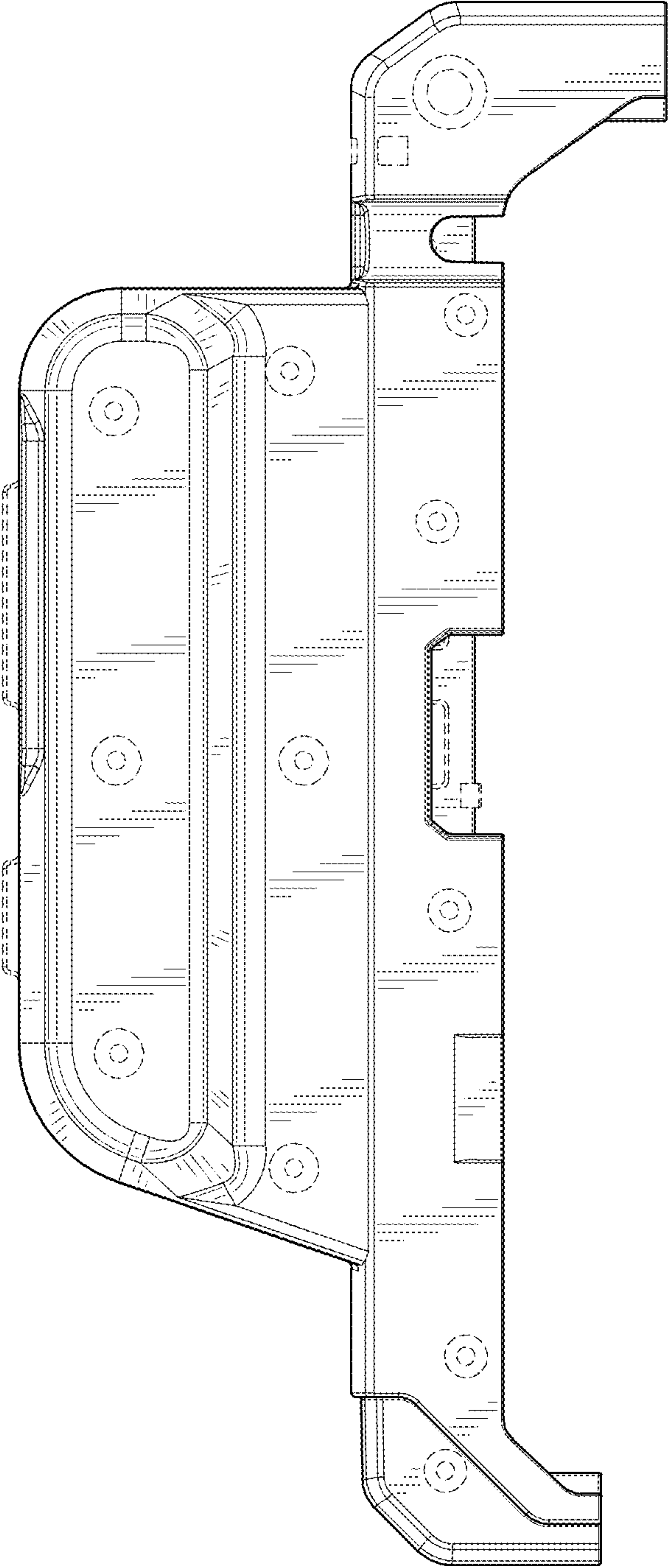


FIG. 3

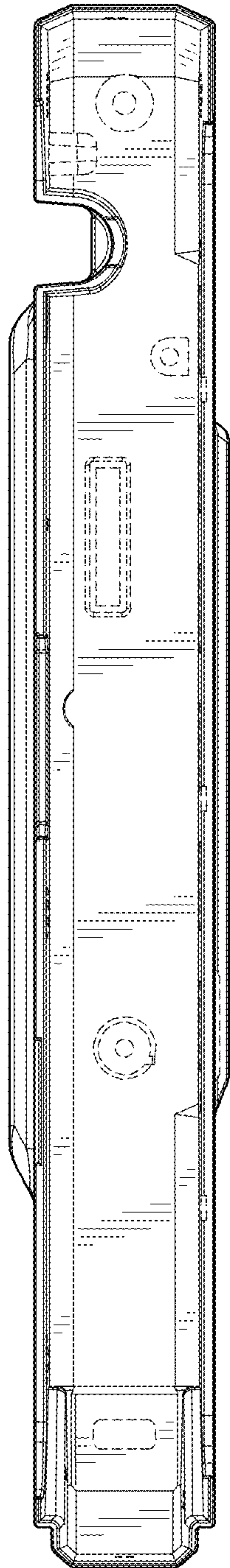


FIG. 4

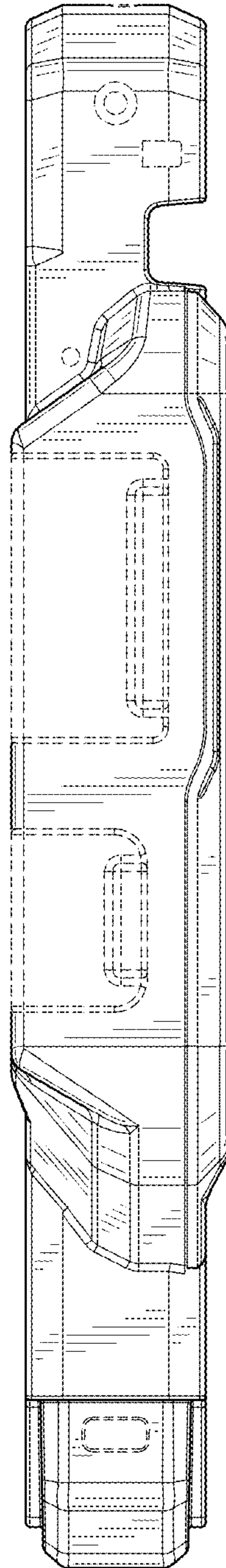


FIG. 5

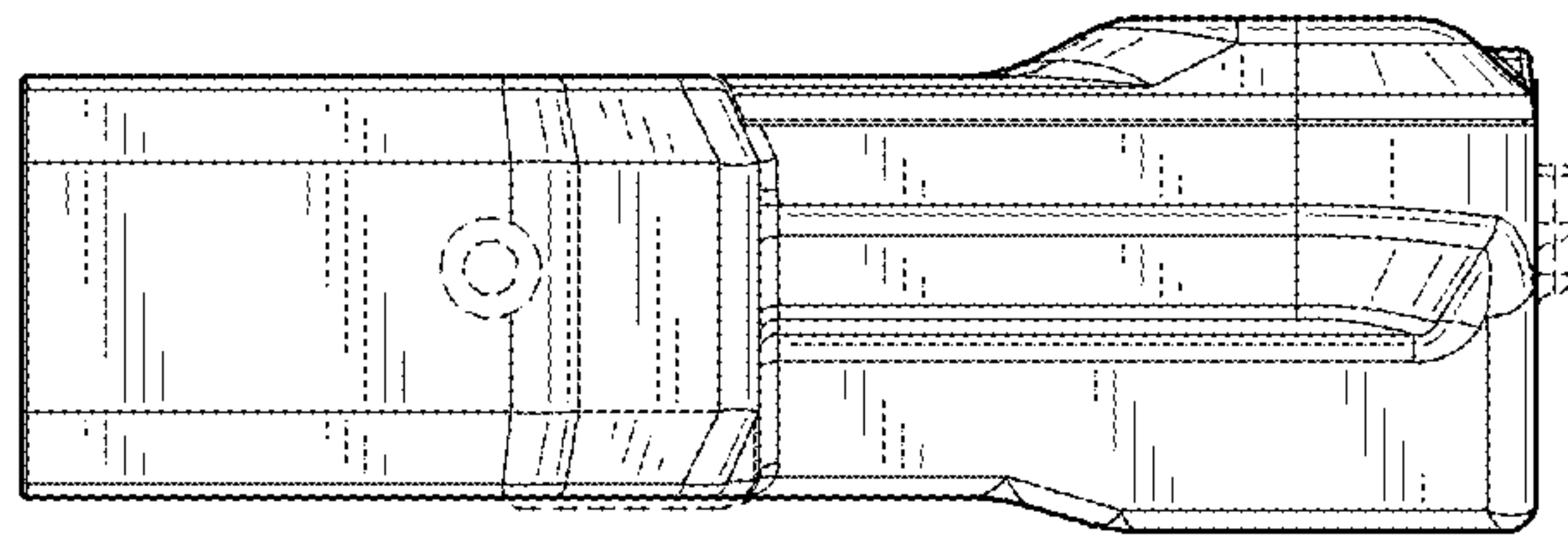


FIG. 6

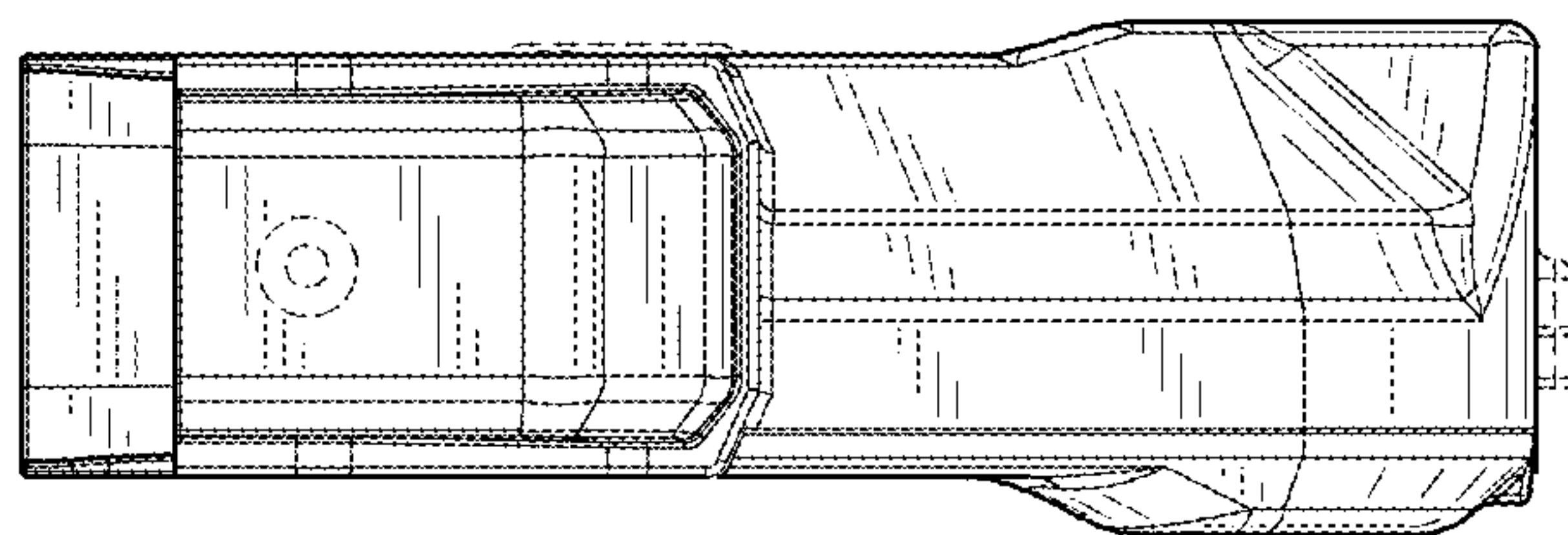


FIG. 7

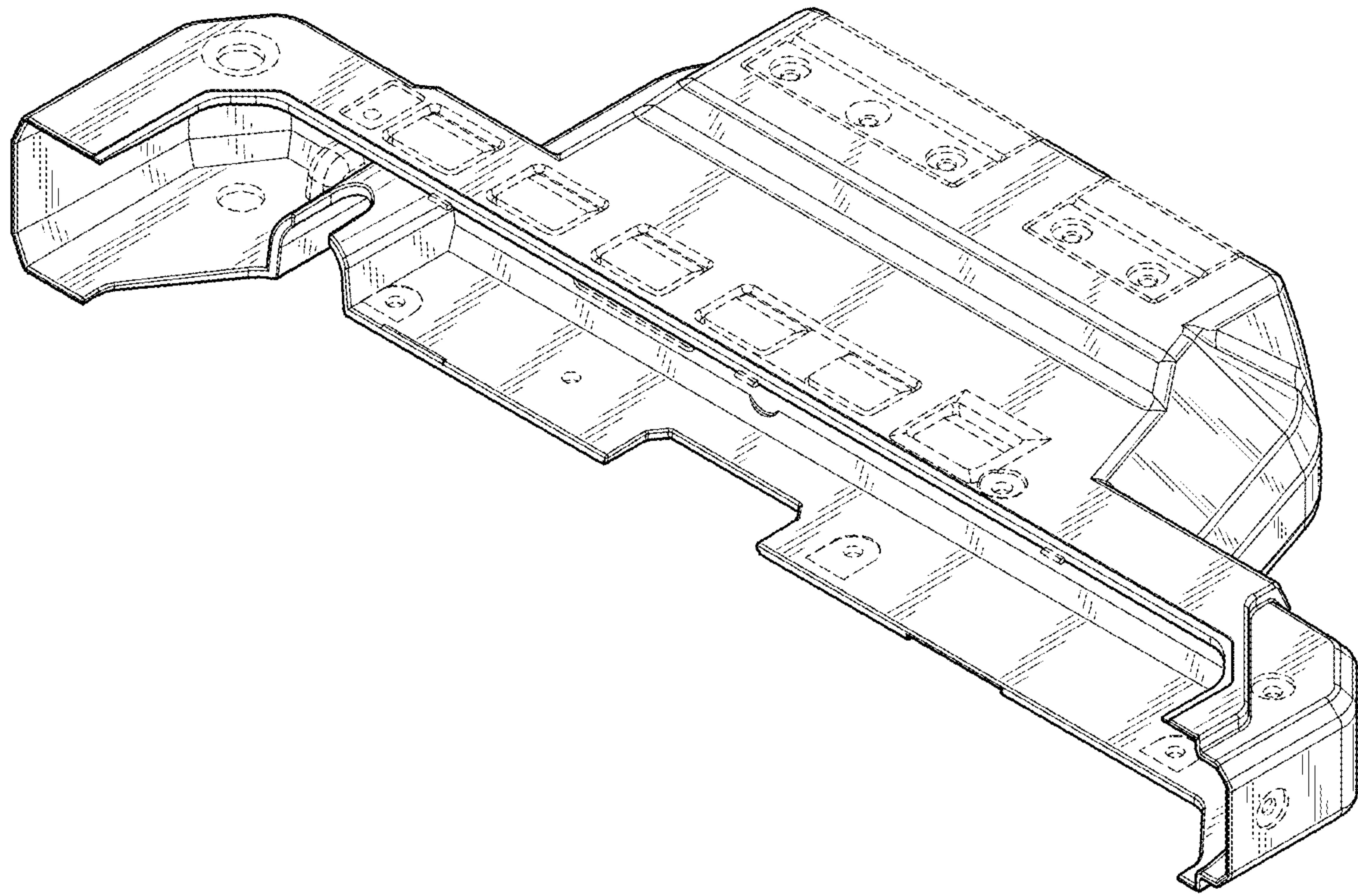


FIG. 8

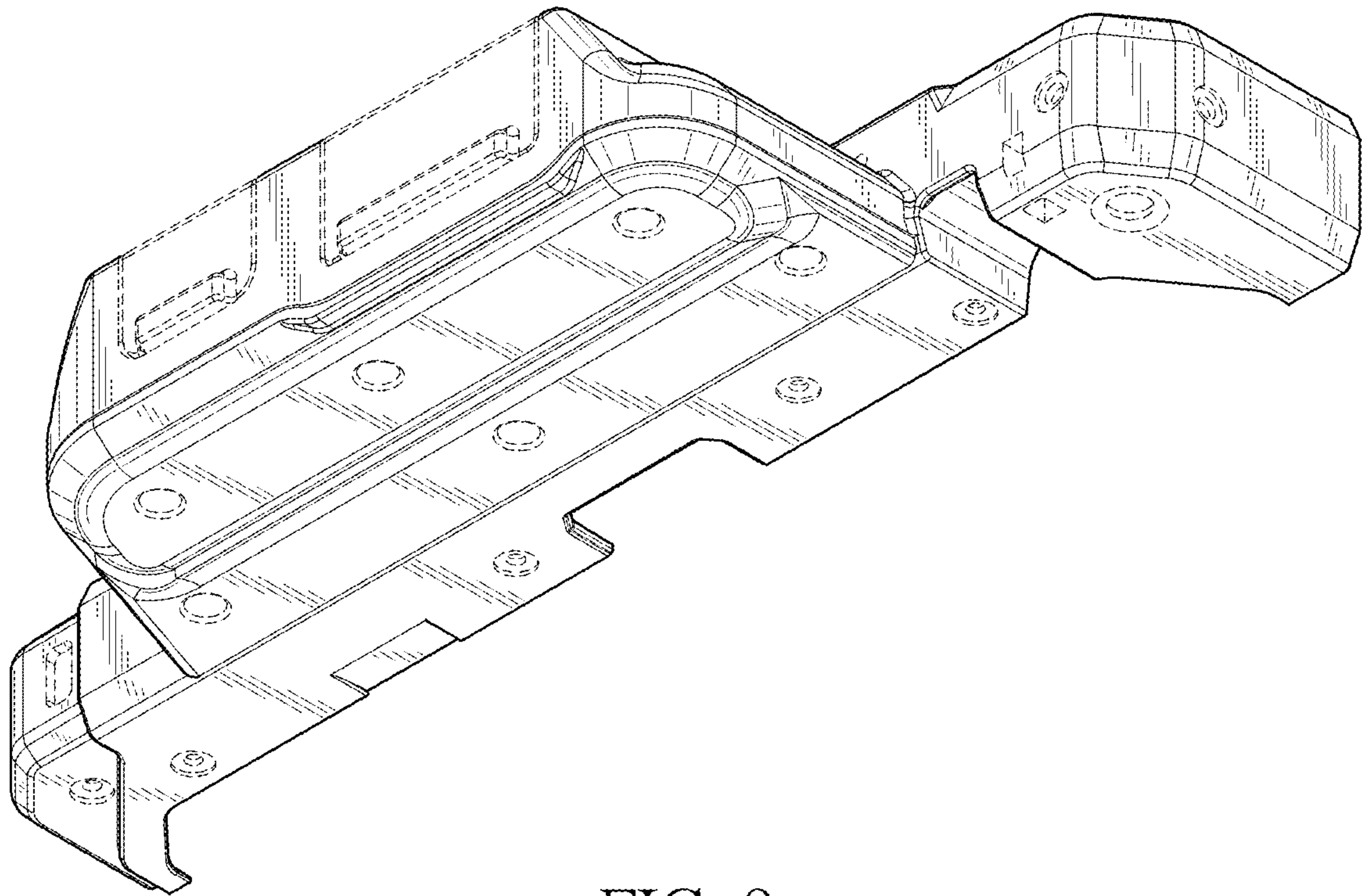


FIG. 9

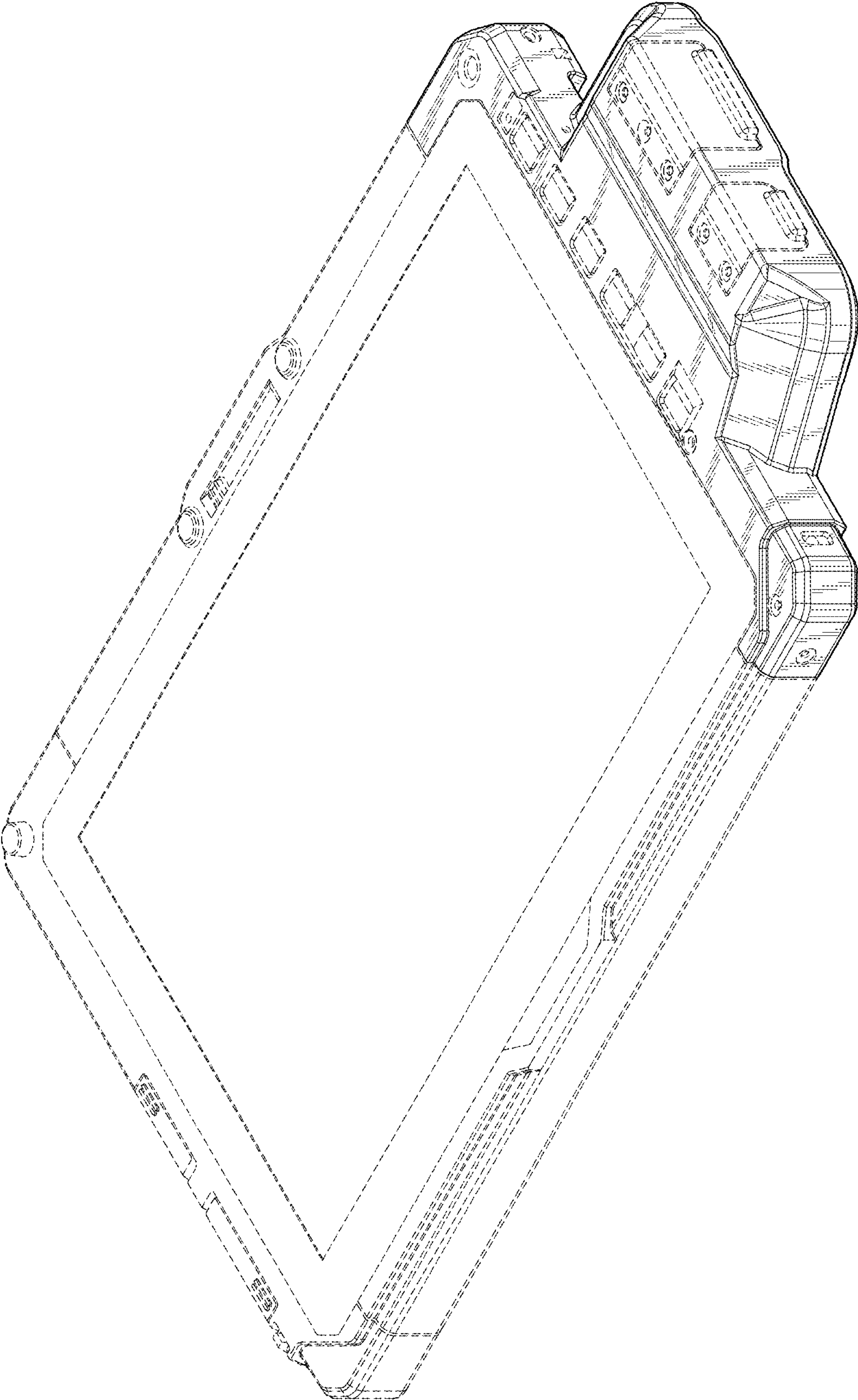


FIG. 10