



US00D945423S

(12) **United States Design Patent**
Lim et al.

(10) **Patent No.:** **US D945,423 S**
(45) **Date of Patent:** **** Mar. 8, 2022**

(54) **DATA CAPTURE DEVICE**

(71) Applicant: **ZEBRA TECHNOLOGIES CORPORATION**, Lincolnshire, IL (US)

(72) Inventors: **Sunghun Lim**, Bethpage, NY (US); **Li-Ko Wang**, New Taipei (TW); **Kevin C. Chen**, Miller Place, NY (US); **JaeHo Choi**, Whitestone, NY (US)

(73) Assignee: **Zebra Technologies Corporation**, Lincolnshire, IL (US)

(**) Term: **15 Years**

(21) Appl. No.: **29/780,880**

(22) Filed: **Apr. 27, 2021**

Related U.S. Application Data

(63) Continuation of application No. 29/698,755, filed on Jul. 19, 2019, now Pat. No. Des. 918,914.

(51) **LOC (13) Cl.** **14-02**

(52) **U.S. Cl.**
USPC **D14/427**

(58) **Field of Classification Search**

USPC D14/420, 426-430, 453, 346, 341, 347, D14/412, 498, 507, 371, 344, 125-129, D14/138 R-138 G, 496, 510; D13/107, D13/184; 358/473; 235/462.43, 462.45, 235/462.47, 462.48, 462.44, 462.46, 487, 235/472.01, 472.02, 440, 486, 462.01, 235/462.15, 462.21, 412, 462.11, 462.49, 235/385, 454, 435, 439-441, 375, 444, 235/456, 459, 462.14, 462.17, 462.2, 490, 235/494, 476, 462.22, 462.32, 462.35; 16/110.1, 430, 431; 439/133, 135; 709/219, 201; 710/73; 320/114, 115, 320/123; 361/679, 679.03; 382/313, 382/321, 318; 455/575.1, 561, 572, 455/575.6; 705/17, 14.64, 14.65, 21; 341/20; 362/103, 157, 158, 171-174,

362/183-208; 250/370.8, 370.1, 215, 250/216, 566; 348/E5.137, E5.143, 348/E9.026; 345/179, 156; 463/36; 14/2; 73/702; 600/300, 485; D3/218; 224/267, 575; 340/5.92; D24/186, 158; D10/65, 57, 81, 78, 98, 70; D26/37-50, D26/24; 396/427
CPC G06K 7/04; G06K 7/1404; G06K 7/1447; G06K 7/10396; G06K 7/0004; G06K 7/0017; G06K 7/002; G06K 7/10881; G06K 7/10386; G06K 7/10009; G06K 7/01; G06K 7/10891; G06K 7/10544-1099; G06K

(Continued)

(56) **References Cited**

U.S. PATENT DOCUMENTS

D335,661 S 5/1993 Shepard
D335,662 S 5/1993 Shepard

(Continued)

Primary Examiner — Susan Moon Lee

(57) **CLAIM**

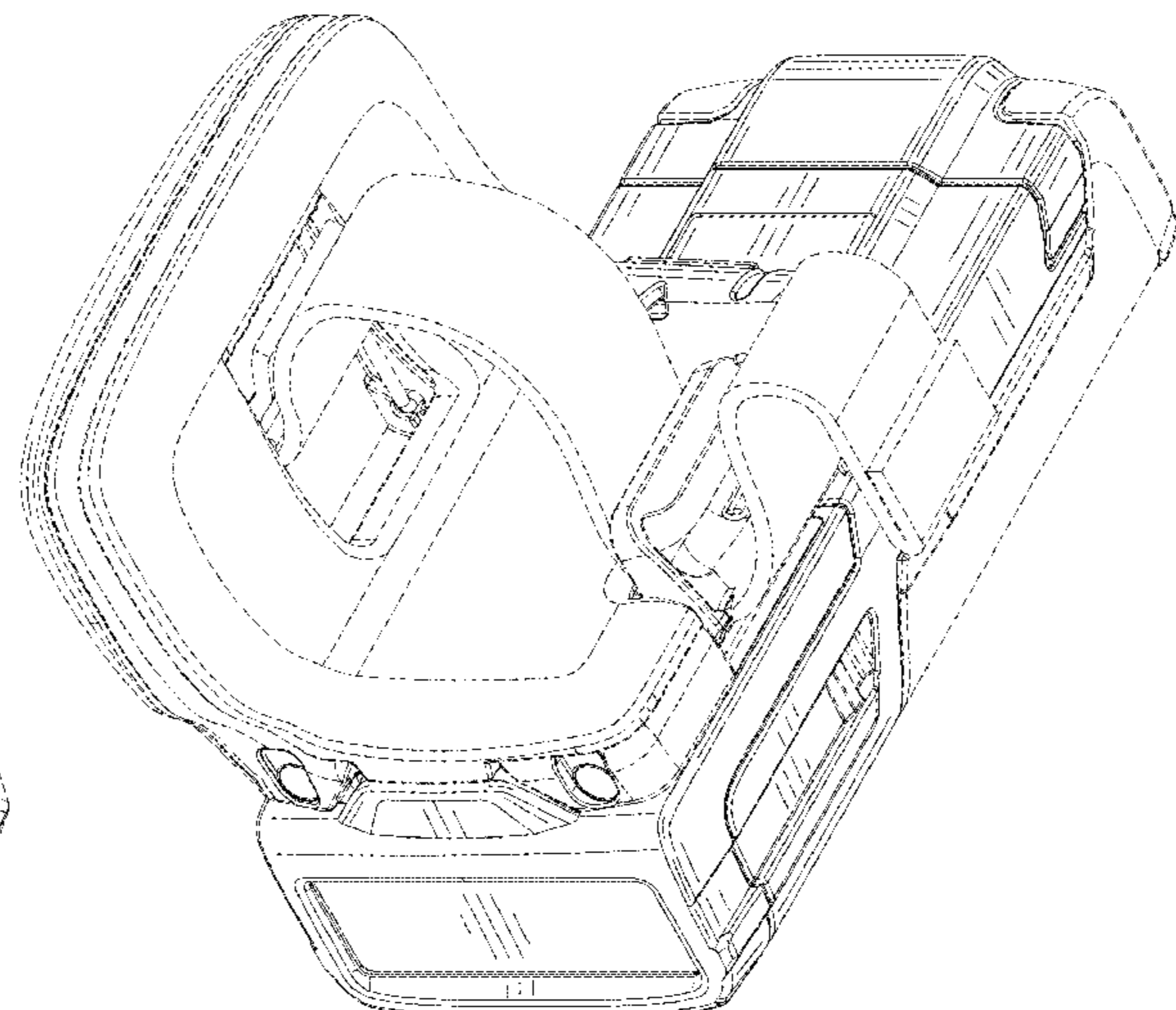
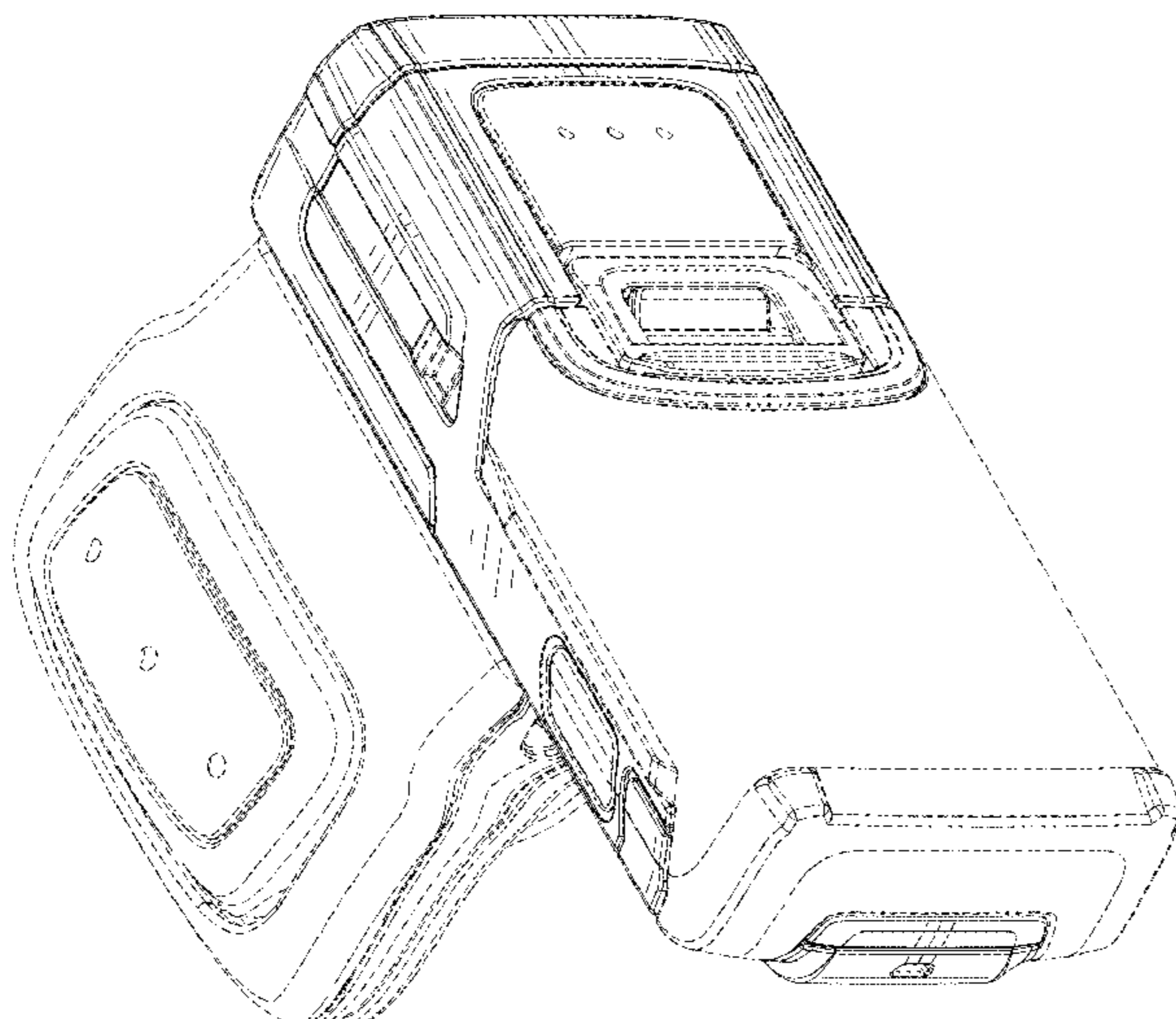
We claim the ornamental design for a data capture device, as shown and described.

DESCRIPTION

FIG. 1 is a top perspective view of a data capture device; FIG. 2 is a bottom perspective view thereof; FIG. 3 is a top view thereof; FIG. 4 is a bottom view thereof; FIG. 5 is a first side view thereof; FIG. 6 is a second side view thereof; FIG. 7 is a rear view thereof; and, FIG. 8 is a front view thereof.

Broken lines of a particular embodiment are for purposes of illustrating environment and form no part of the design claimed in that embodiment.

1 Claim, 8 Drawing Sheets



(58) **Field of Classification Search**

CPC 2007/10524; G06K 2007/10534; G06F 1/163; G06F 1/1698; G06F 1/1684; G06F 2203/0331; G06Q 20/204; G06Q 20/208; G06Q 20/30; G06Q 20/322; G06Q 20/203; G06Q 20/343; A45F 5/00; A45F 2005/002; A45F 2005/008; A45F 2200/0516; A45F 2200/0525; A45F 2200/0533; A45F 2200/0508; H04N 5/74; H04N 9/3129; H04N 9/3141; H01H 2009/0221; A47F 9/046; A47F 9/047; G07G 1/0045; G04N 5/23238; G04N 5/2252; G04N 5/2251; G03B 17/02; B25H 5/00; B66F 7/28; G02B 26/10; G02B 26/106; G07F 11/002; G07F 11/02
See application file for complete search history.

D832,844 S 11/2018 Lim
D833,438 S 11/2018 Lim et al.
10,135,213 B2* 11/2018 Brunnbauer H01R 12/714
D883,287 S * 5/2020 Sieckowski D14/428
10,671,119 B2* 6/2020 Ohtaka G06K 7/10544
10,726,222 B2* 7/2020 Oberpriller G06K 7/1413
D896,224 S * 9/2020 Sieckowski D14/428
10,789,436 B1* 9/2020 Lim G06K 7/10891
D900,102 S * 10/2020 Oberpriller D14/427
10,810,412 B2* 10/2020 Khade G06F 3/04883
D918,914 S * 5/2021 Lim D14/427
2002/0000470 A1 1/2002 Lanzaro et al.
2002/0030094 A1 3/2002 Curry et al.
2006/0289771 A1 12/2006 White
2008/0054039 A1 3/2008 Wulff et al.
2008/0078837 A1* 4/2008 Morris G06K 7/10891
235/462.44
2008/0078838 A1 4/2008 Morris et al.
2008/0097724 A1 4/2008 Morris et al.
2008/0129532 A1* 6/2008 Bellows H04M 1/72403
340/4.31
2009/0247299 A1* 10/2009 Conticello G06F 3/014
463/37
2009/0266898 A1* 10/2009 Miller G06K 7/10881
235/472.01
2010/0176166 A1 7/2010 Siagri et al.
2011/0090148 A1 4/2011 Li et al.
2011/0121075 A1 5/2011 Bellows et al.
2011/0175705 A1* 7/2011 Bellows H04B 17/103
340/10.1
2013/0114232 A1 5/2013 Tsai et al.
2013/0248601 A1* 9/2013 Liang G06K 7/10009
235/440
2014/0249944 A1* 9/2014 Hicks G06Q 30/0281
705/17
2015/0181351 A1 6/2015 Sarrow et al.
2016/0063293 A1* 3/2016 Sun G06K 7/10891
235/462.44
2016/0161301 A1* 6/2016 Guenther A61B 5/6806
702/150
2016/0180132 A1* 6/2016 Lim G06K 7/10544
235/462.45
2018/0167549 A1* 6/2018 Lim G06K 7/10554
2018/0225489 A1* 8/2018 Liou G06K 7/10891
2019/0196535 A1* 6/2019 Paufler G06F 3/0346
2019/0251310 A1* 8/2019 Oberpriller G06K 7/10881
2020/0097705 A1* 3/2020 Khade G06K 9/00335
2020/0272801 A1* 8/2020 Mistkawi G06K 7/1408
2020/0305522 A1* 10/2020 Ruhland H02J 7/0042
2021/0027031 A1* 1/2021 Lim G06F 1/163
2021/0110126 A1* 4/2021 Miller G06K 7/10584
2021/0133412 A1* 5/2021 Lee G06K 7/10881

(56) **References Cited**

U.S. PATENT DOCUMENTS

D342,245 S 12/1993 Krichever et al.
5,340,972 A 8/1994 Sandor
D377,348 S 1/1997 Karlin
D391,250 S 2/1998 Swift et al.
6,003,774 A * 12/1999 Bard G04B 37/0016
235/462.45
6,015,090 A 1/2000 Swartz et al.
D462,688 S 9/2002 Schieffers et al.
D462,964 S 9/2002 Croley et al.
6,634,558 B1 10/2003 Patel et al.
D554,641 S 11/2007 Miller et al.
D566,712 S * 4/2008 Ah D14/426
D571,241 S * 6/2008 Andreassen D10/78
D585,066 S 1/2009 Morris et al.
D601,151 S 9/2009 Morris et al.
7,764,488 B2* 7/2010 Calvarese G06F 1/163
361/679.03
7,837,112 B2* 11/2010 An G06K 7/10891
235/462.44
D634,435 S * 3/2011 Chua D24/186
7,959,084 B2 6/2011 Wulff
D654,597 S * 2/2012 Hiramura D24/186
8,196,787 B2* 6/2012 Strandberg A45F 3/14
224/217
8,260,384 B2 9/2012 Wulff et al.
D673,953 S 1/2013 Li et al.
D687,332 S 8/2013 Nishizawa et al.
D689,862 S 9/2013 Liu
9,679,180 B2* 6/2017 Lim G06K 7/10544
D808,391 S * 1/2018 Schooneveldt D14/426
D829,212 S * 9/2018 Bidwell D14/426

* cited by examiner

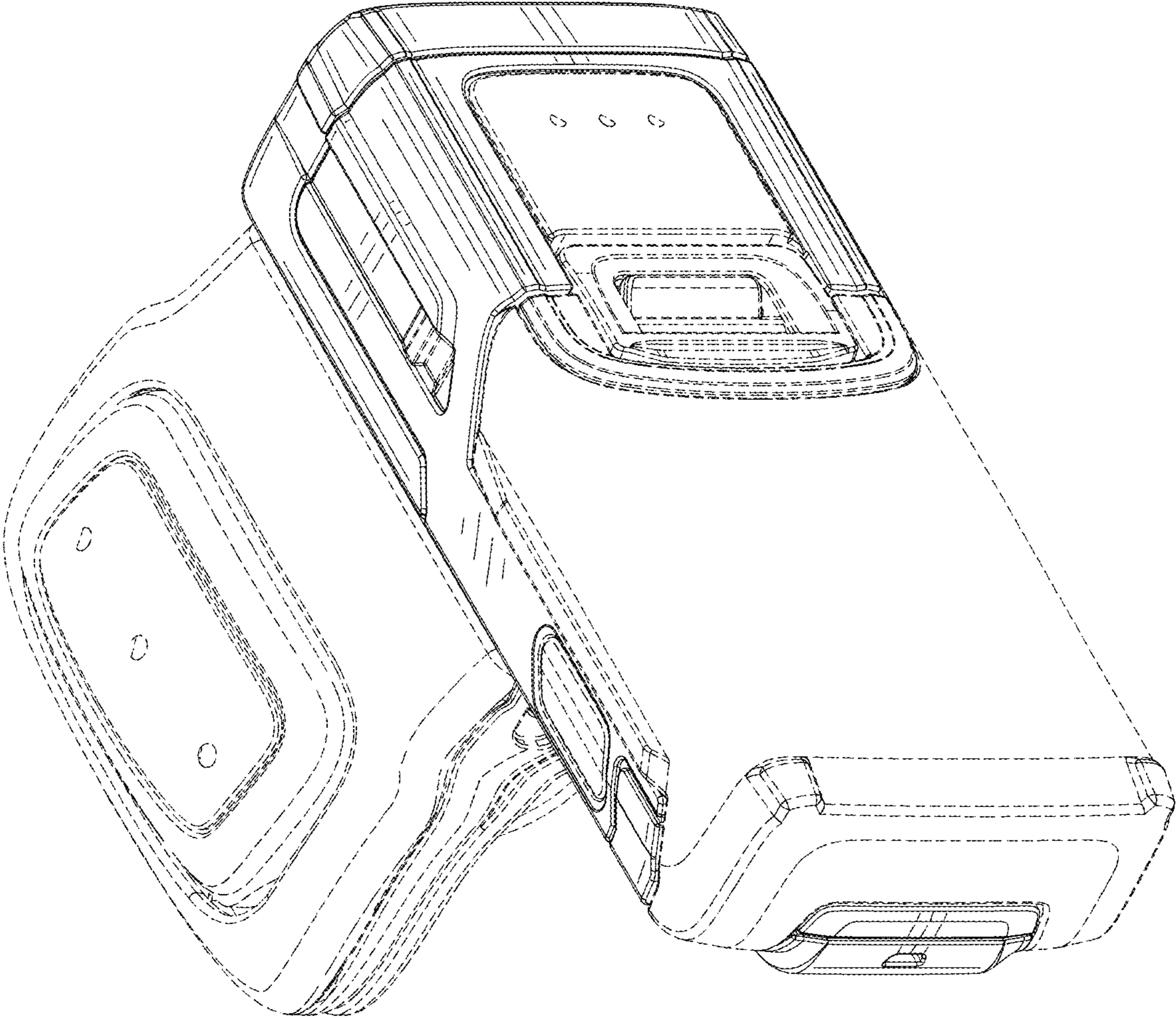


FIG. 1

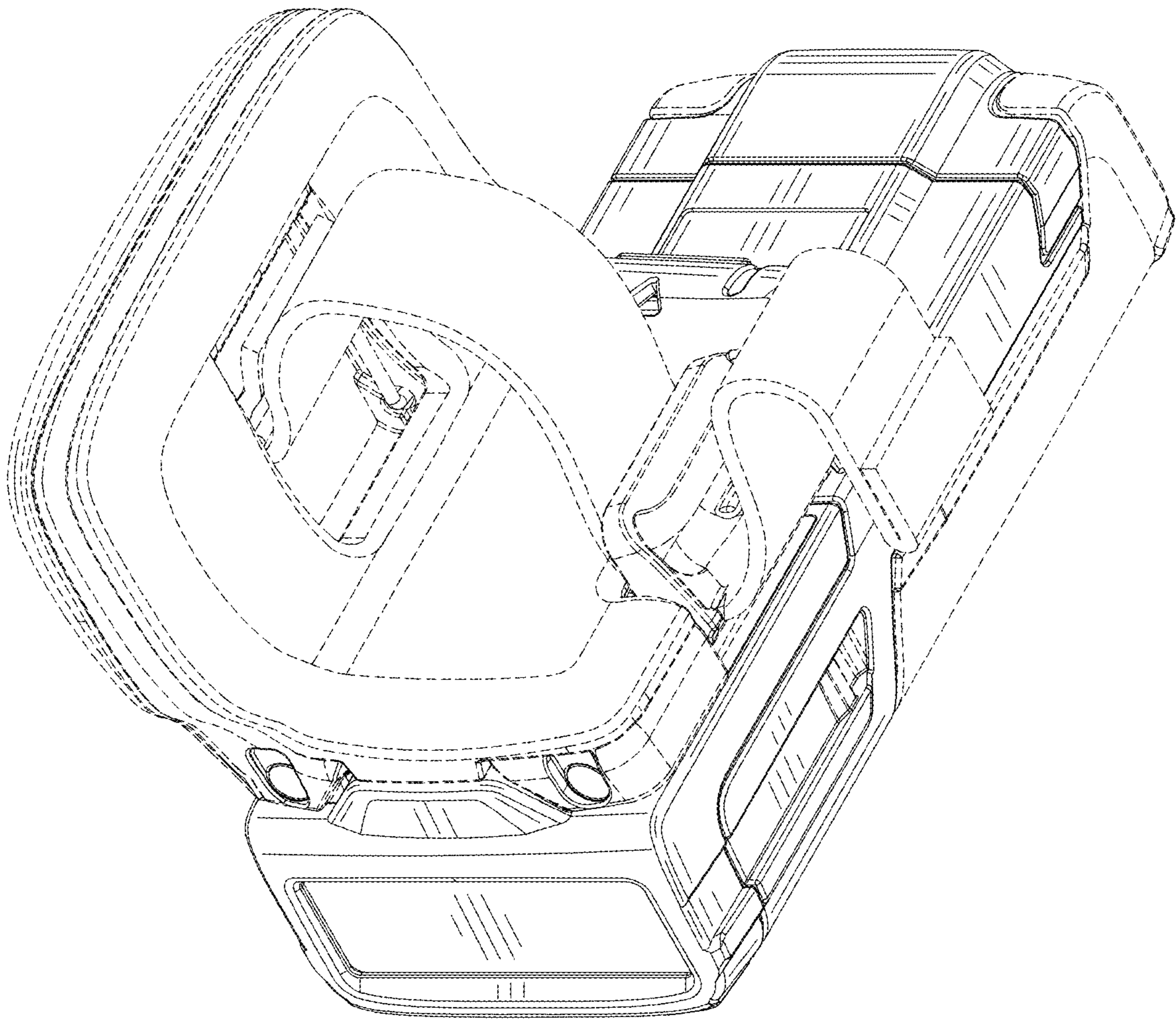


FIG. 2

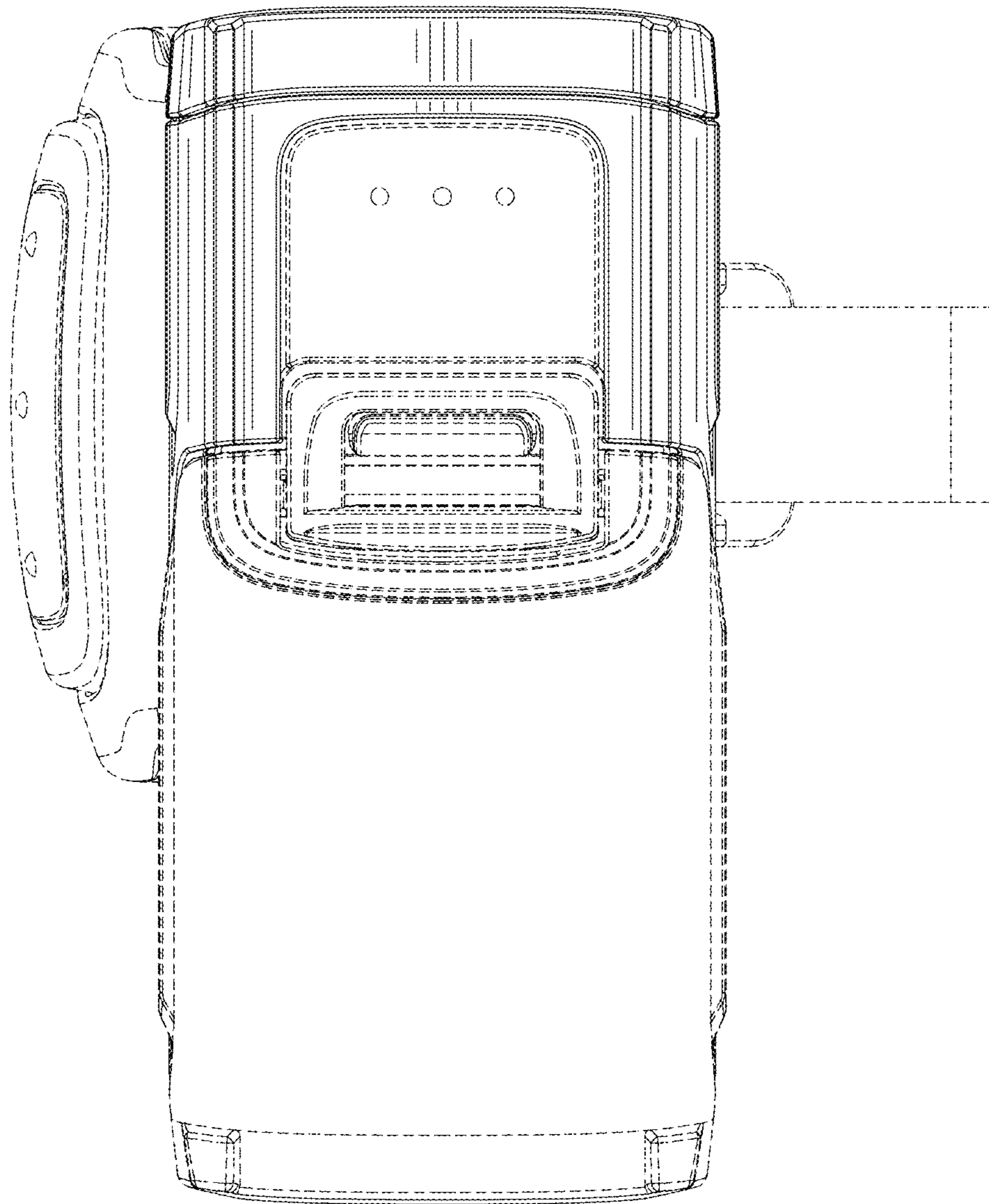


FIG. 3

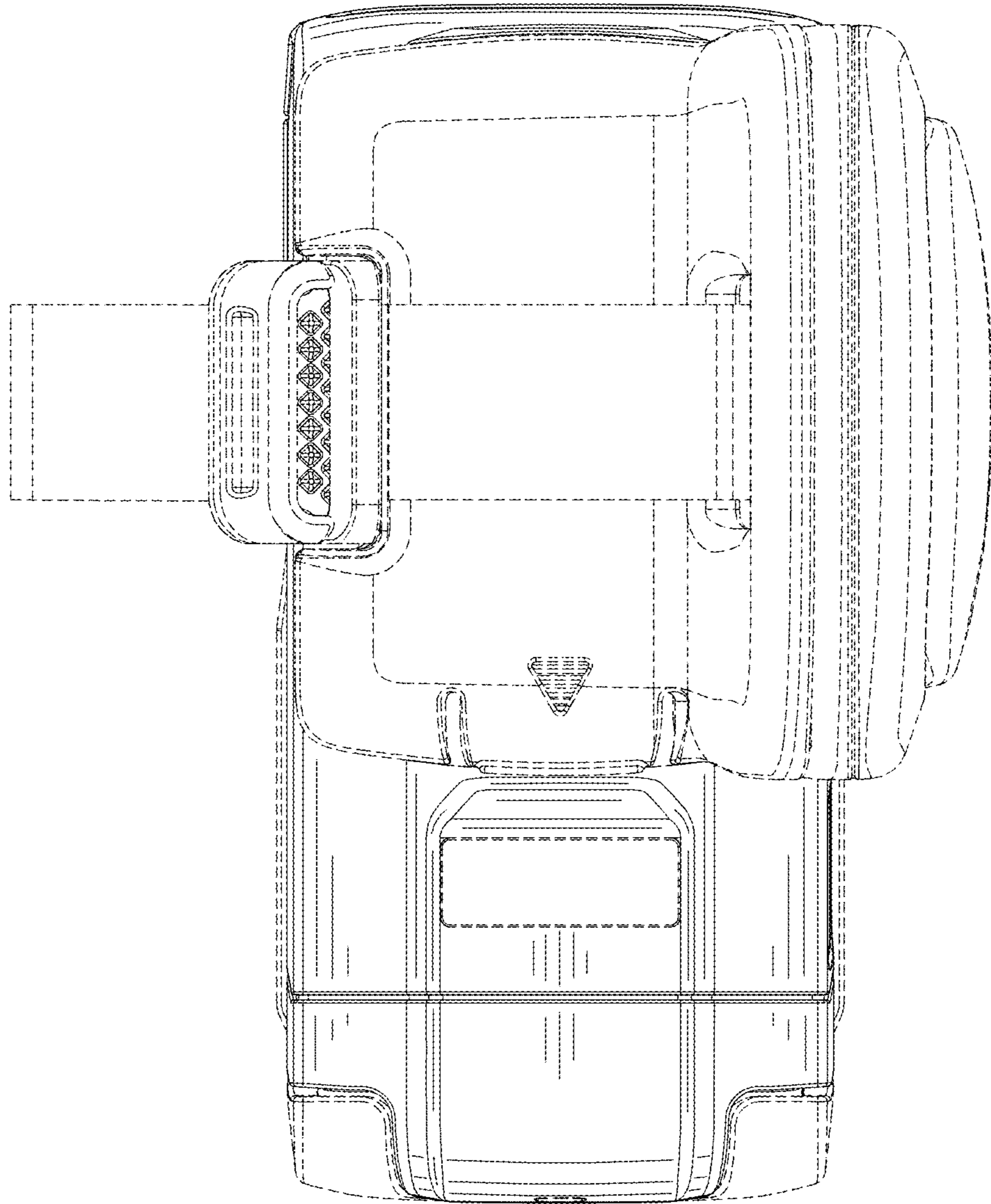


FIG. 4

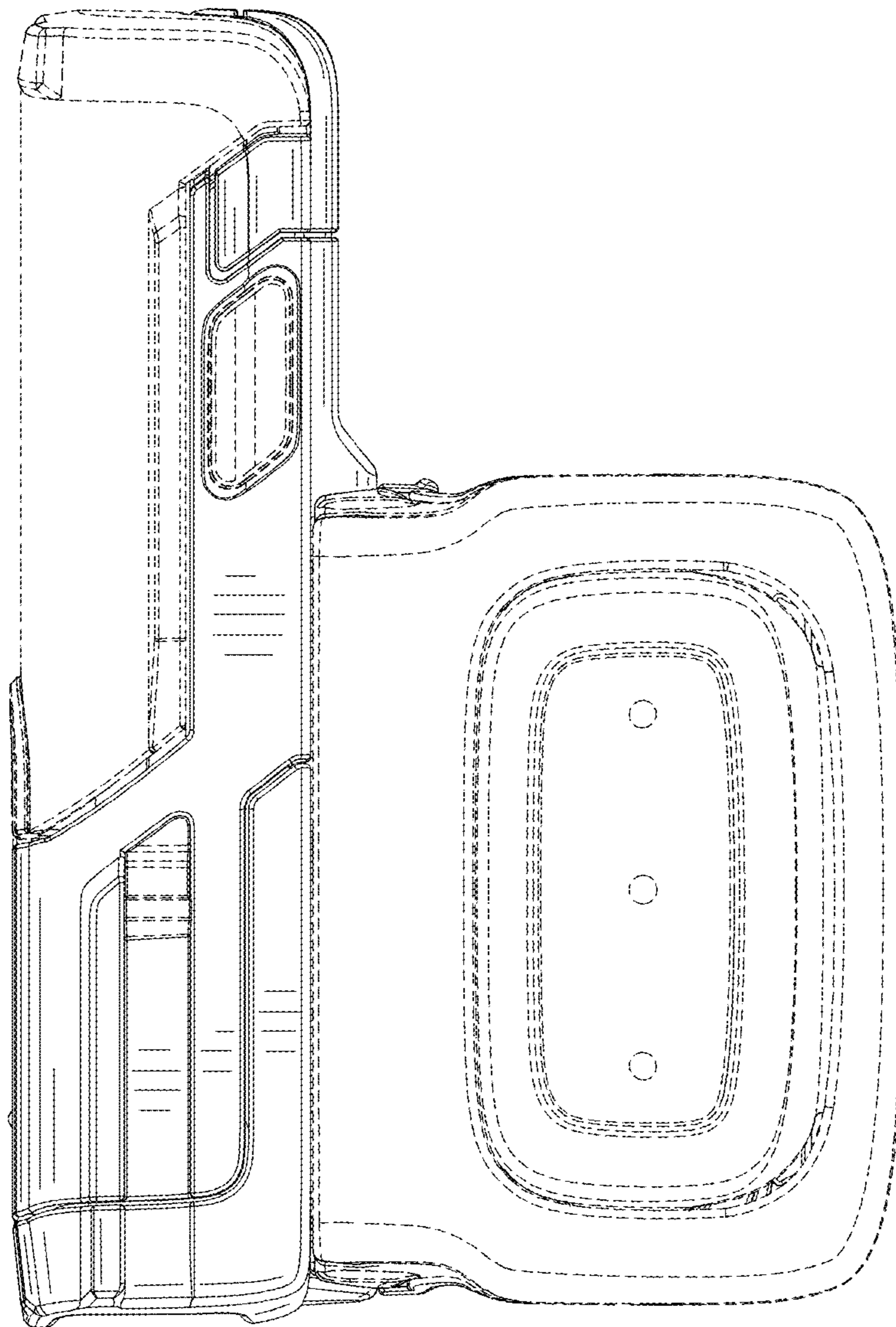


FIG. 5

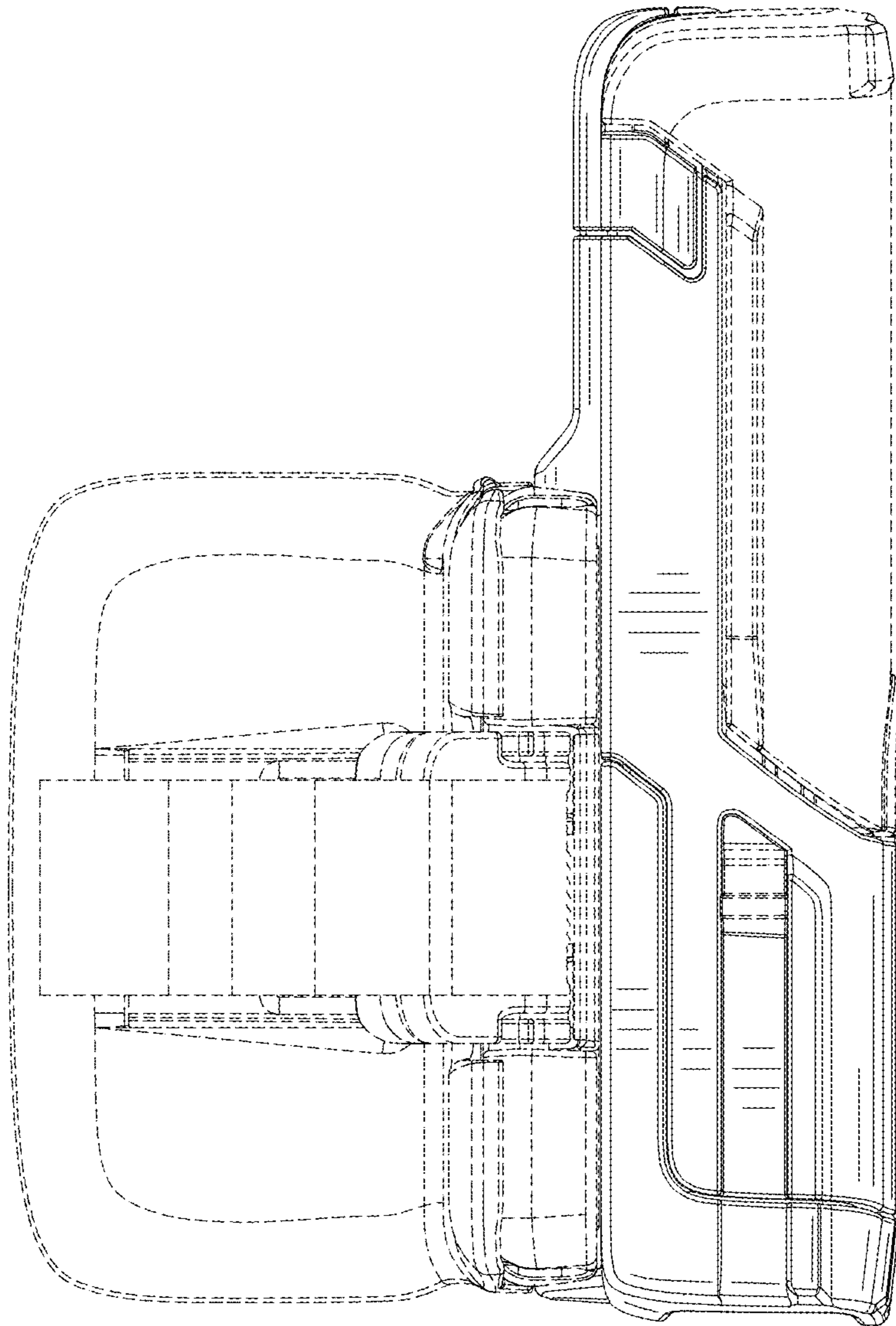


FIG. 6

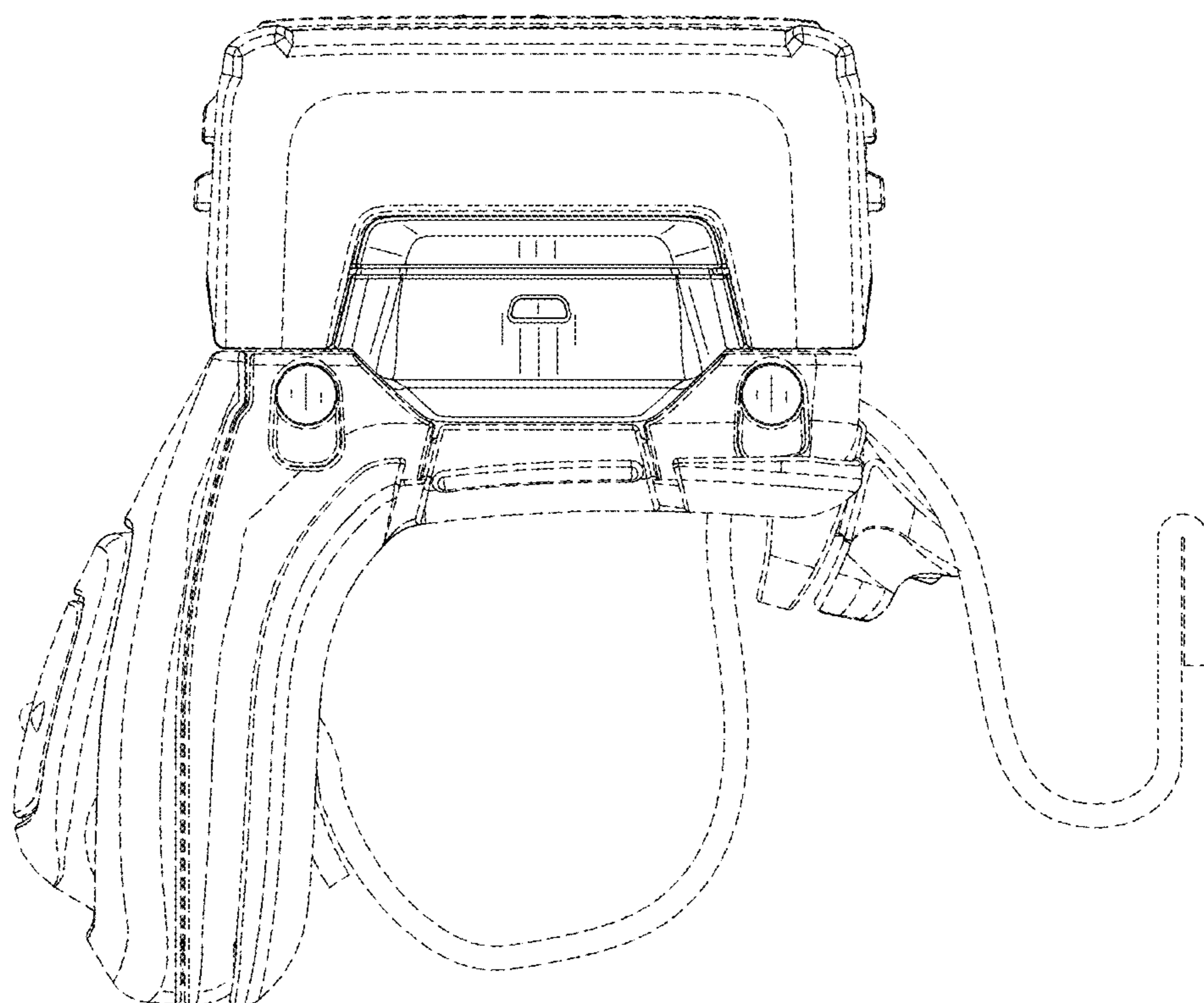


FIG. 7

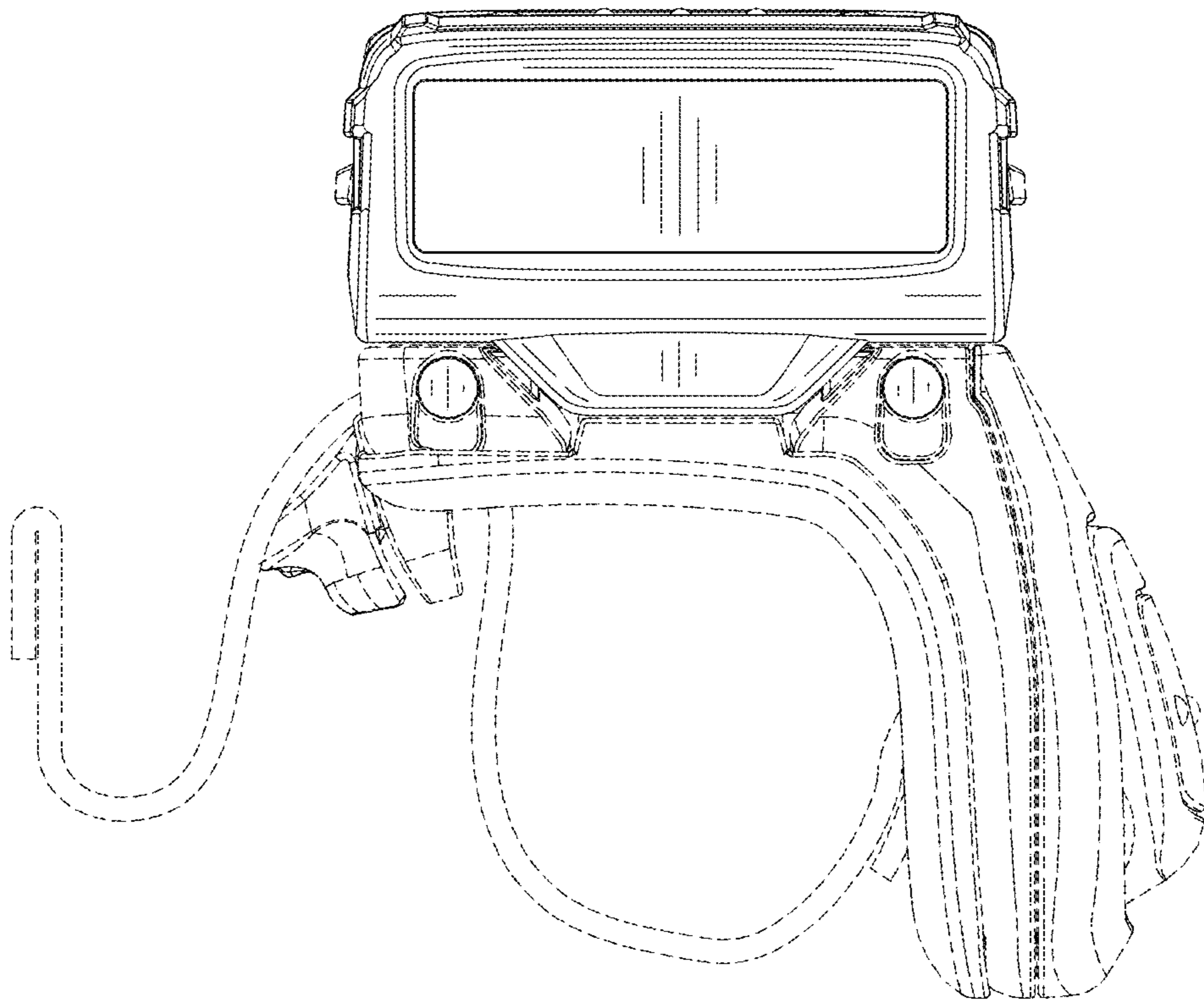


FIG. 8