



US00D945421S

(12) **United States Design Patent**
Hashimoto et al.

(10) **Patent No.:** **US D945,421 S**
(45) **Date of Patent:** **** Mar. 8, 2022**

(54) **CARTRIDGE FOR AN ELECTRONIC PEN**

(71) Applicant: **Wacom Co., Ltd.**, Kazo (JP)

(72) Inventors: **Yoshiyuki Hashimoto**, Wako (JP);
Takenori Kaneda, Shimotsuke (JP);
Shinya Aoki, Kuki (JP)

(73) Assignee: **Wacom Co., Ltd.**, Kazo (JP)

(**) Term: **15 Years**

(21) Appl. No.: **29/799,885**

(22) Filed: **Jul. 16, 2021**

Related U.S. Application Data

(62) Division of application No. 29/731,652, filed on Apr. 16, 2020, now Pat. No. Des. 933,661.

(51) **LOC (13) Cl.** **14-02**

(52) **U.S. Cl.**
USPC **D14/411**

(58) **Field of Classification Search**
USPC D14/372, 496, 432, 371, 126, 126, 129,
D14/299, 411; D16/300-342; 351/158,
351/153, 144; 345/7-9, 905; 455/344;
348/115, 53, 121, 739

CPC G02B 27/017; G06F 3/016; G06F 3/033;
G06F 3/0317; G06F 3/03545; G06F
3/041; G06K 9/222

See application file for complete search history.

(56) **References Cited**

U.S. PATENT DOCUMENTS

D399,255 S	10/1998	Melnick	
D444,171 S *	6/2001	McCullough	D19/154
D491,222 S *	6/2004	Derman	D19/154
D582,980 S *	12/2008	Price	D19/171
D682,352 S *	5/2013	Levy	D19/154
D694,238 S *	11/2013	Du	D14/411
D744,486 S	12/2015	Arai	

D783,022 S	4/2017	Sirota et al.	
D801,166 S *	10/2017	Baiz	D8/397
10,061,406 B2	8/2018	Arai et al.	
D845,301 S	4/2019	Chu et al.	
D851,087 S	6/2019	Nishizawa	
10,391,808 B2 *	8/2019	Mitchell	B43K 8/22
D861,689 S	10/2019	Nishizawa	
10,427,449 B2	10/2019	Kaneda et al.	
10,503,281 B2	12/2019	Fujitsuka et al.	
10,579,164 B2	3/2020	Tanaka et al.	
10,589,562 B2	3/2020	Kaneda et al.	
D889,543 S *	7/2020	Jilong	D19/170
D897,341 S *	9/2020	Kamiyama	D14/411

(Continued)

FOREIGN PATENT DOCUMENTS

JP D1383822 S 3/2010

Primary Examiner — Austin Murphy

(74) *Attorney, Agent, or Firm* — Christensen O'Connor Johnson Kindness PLLC

(57) **CLAIM**

The ornamental design for a cartridge for an electronic pen, as shown and described.

DESCRIPTION

FIG. 1 is a top-right-front perspective view of a representative embodiment of a cartridge for an electronic pen according to our new design;

FIG. 2 is a top plan view thereof;

FIG. 3 is a bottom plan view thereof;

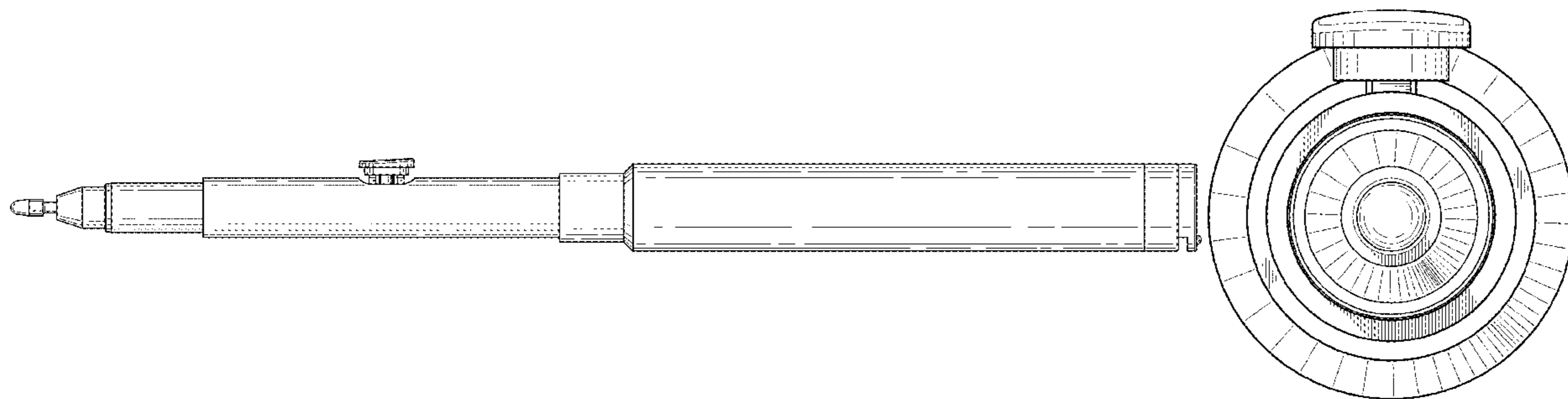
FIG. 4 is a right-side elevational view thereof, wherein the left-side elevational view is a mirror image of the right side-elevational view;

FIG. 5 is a front elevational view thereof; and,

FIG. 6 is a rear elevational view thereof.

The dashed broken lines in the drawings show portions of the cartridge for an electronic pen that form no part of the claimed design.

1 Claim, 3 Drawing Sheets



(56)

References Cited

U.S. PATENT DOCUMENTS

10,761,620	B2	9/2020	Kaneda et al.	
D903,681	S	12/2020	Tao	
D912,146	S	3/2021	Zhang	
2005/0057534	A1*	3/2005	Charlier	G06F 3/042 345/179
2009/0251442	A1*	10/2009	Nakata	G06F 3/046 345/179
2011/0219892	A1*	9/2011	Fukushima	G06F 3/046 73/865.4
2014/0306940	A1*	10/2014	Fukushima	G06F 3/03545 345/179

* cited by examiner

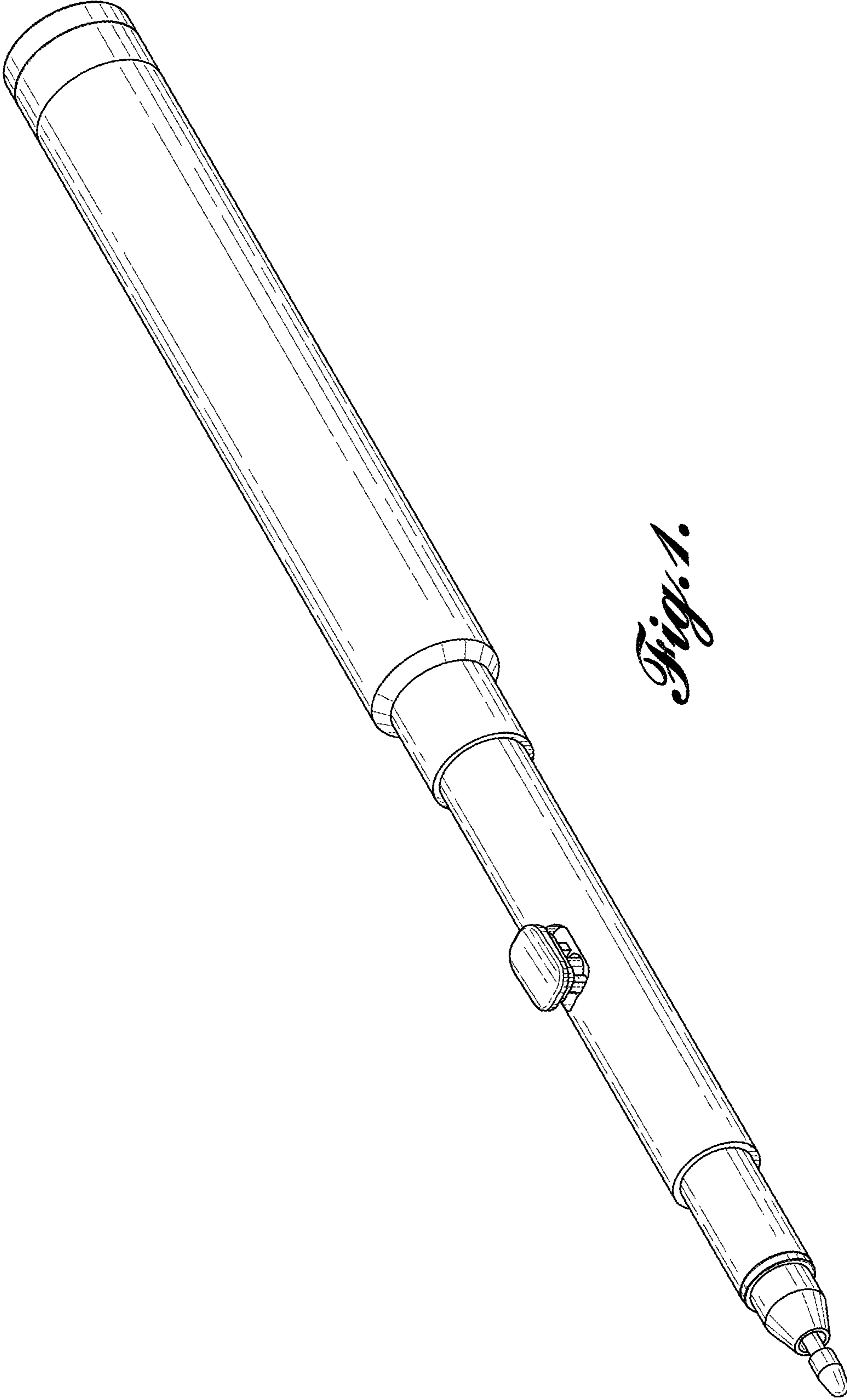


Fig. 1.

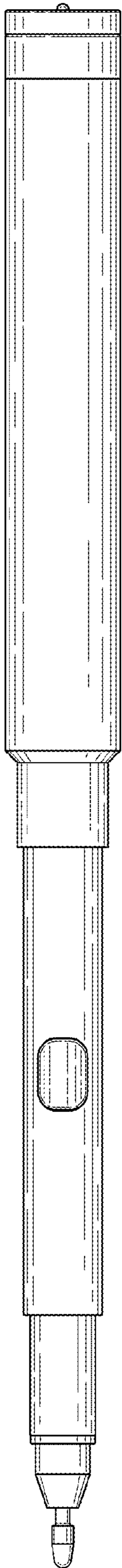


Fig. 2.

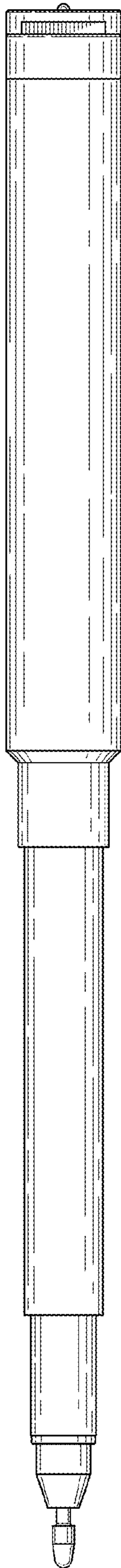


Fig. 3.

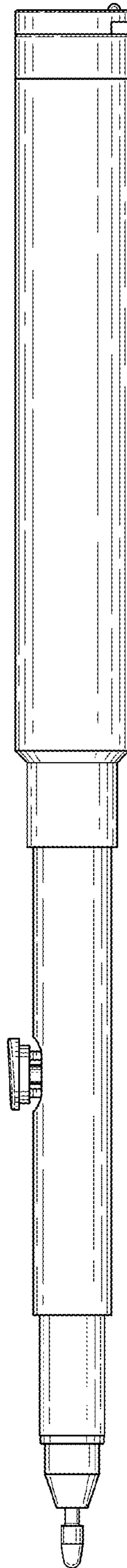


Fig. 4.

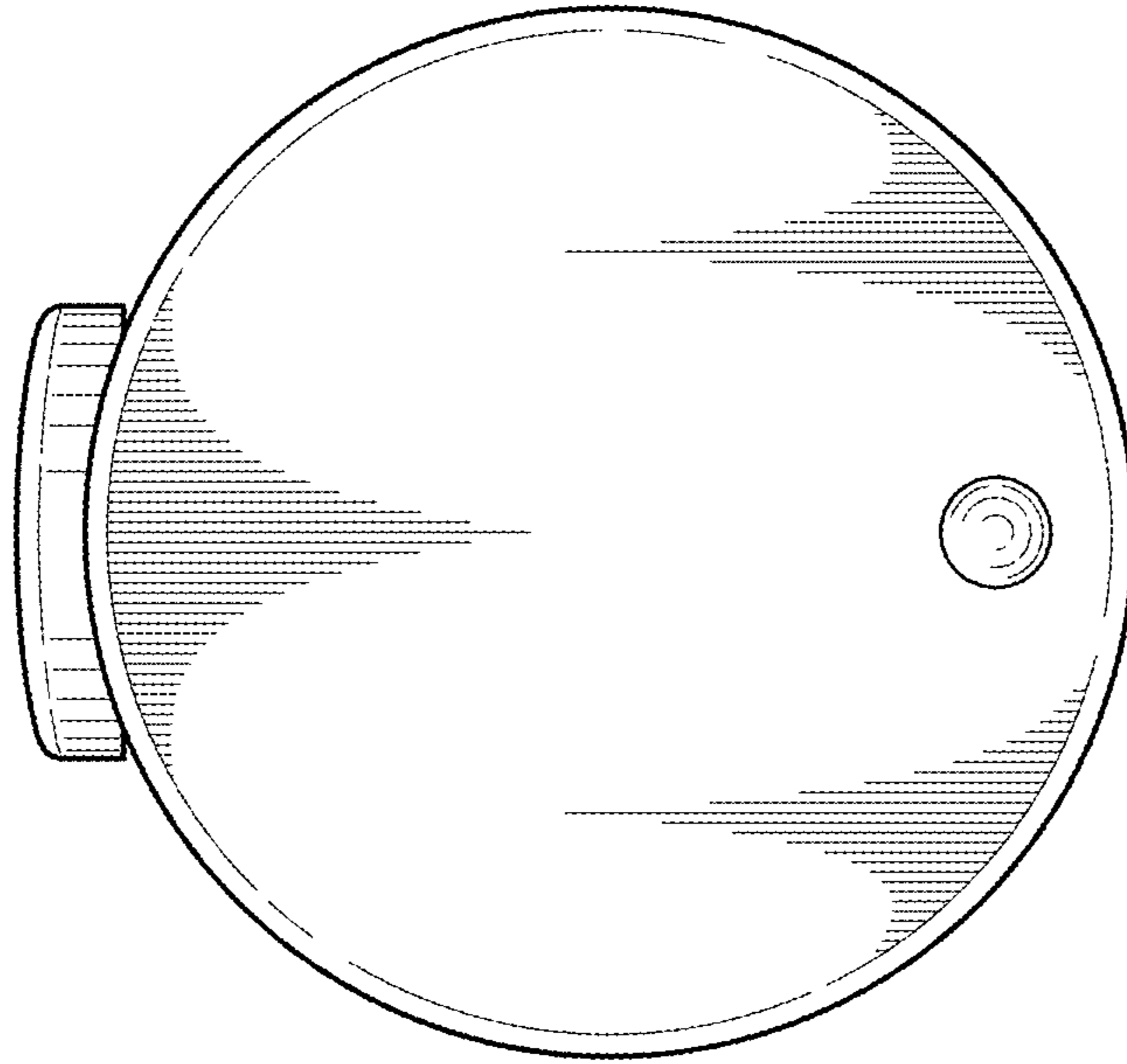


Fig. 6.

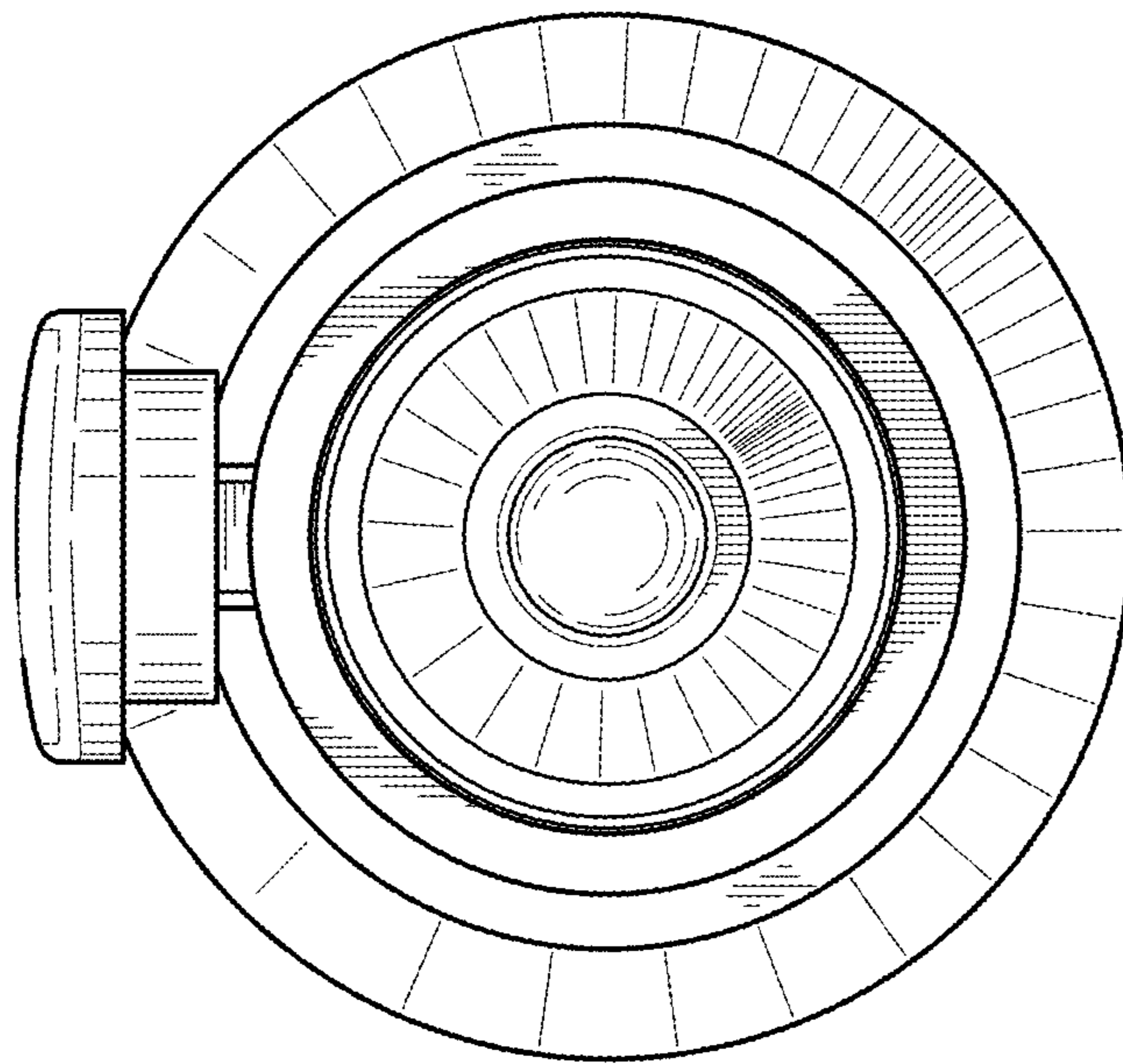


Fig. 5.