



US00D945418S

(12) **United States Design Patent**
Wei et al.

(10) **Patent No.:** **US D945,418 S**
(45) **Date of Patent:** **** Mar. 8, 2022**

- (54) **REMOTE CONTROLLER**
- (71) Applicant: **HTC Corporation**, Taoyuan (TW)
- (72) Inventors: **Chang-Hua Wei**, Taoyuan (TW);
Hsiao-Ling Chan, Taoyuan (TW);
Pei-Pin Huang, Taoyuan (TW)
- (73) Assignee: **HTC Corporation**, Taoyuan (TW)
- (**) Term: **15 Years**
- (21) Appl. No.: **29/752,060**
- (22) Filed: **Sep. 24, 2020**

Related U.S. Application Data

- (62) Division of application No. 29/675,215, filed on Dec. 28, 2018, now Pat. No. Des. 903,667.
- (51) **LOC (13) Cl.** **14-02**
- (52) **U.S. Cl.**
USPC **D14/388**; D21/333
- (58) **Field of Classification Search**
USPC D14/400, 401, 412, 356, 358, 383, 388,
D14/454, 203.3, 218, 426-431, 432;
D21/333, 324, 328; D13/162, 162.1, 163,
D13/168-172; D10/78, 103
CPC A63F 13/00; A63F 13/02; A63F 13/20;
A63F 13/24; A63F 13/25; A63F 13/90;
A63F 13/98; G06F 3/014; G06F 3/017;
G05G 9/047
See application file for complete search history.

(56) **References Cited**

U.S. PATENT DOCUMENTS

D478,330 S †	8/2003	Yang	D14/402
D547,304 S †	7/2007	Francz	D14/218
D749,679 S †	2/2016	Bala	D21/333
D772,986 S †	11/2016	Chen	D21/333
D780,807 S †	3/2017	Chen	D14/496
D795,959 S *	8/2017	Chen	D21/333

D802,055 S *	11/2017	Chen	D21/333
D815,210 S †	4/2018	Chen	D21/333
D817,300 S †	5/2018	Bristol	D14/203.3
D819,638 S †	6/2018	Lo	D14/388
D835,104 S †	12/2018	Chen	D14/401

(Continued)

FOREIGN PATENT DOCUMENTS

JP	D1601621 S	4/2018
TW	D186225 S	10/2017
TW	D197484 S	5/2019

OTHER PUBLICATIONS

“HTC Vive Cosmos hands-on review: Flippin’ genius,” HTC VR controllers pictured therein, online, post date Sep. 12, 2019, URL: <https://www.digitaltrends.com/vr-headset-reviews/htc-vive-cosmos-review/>, retrieved Aug. 24, 2020.‡

Primary Examiner — Rebekah A Caruso

(74) *Attorney, Agent, or Firm* — Birch, Stewart, Kolasch & Birch, LLP

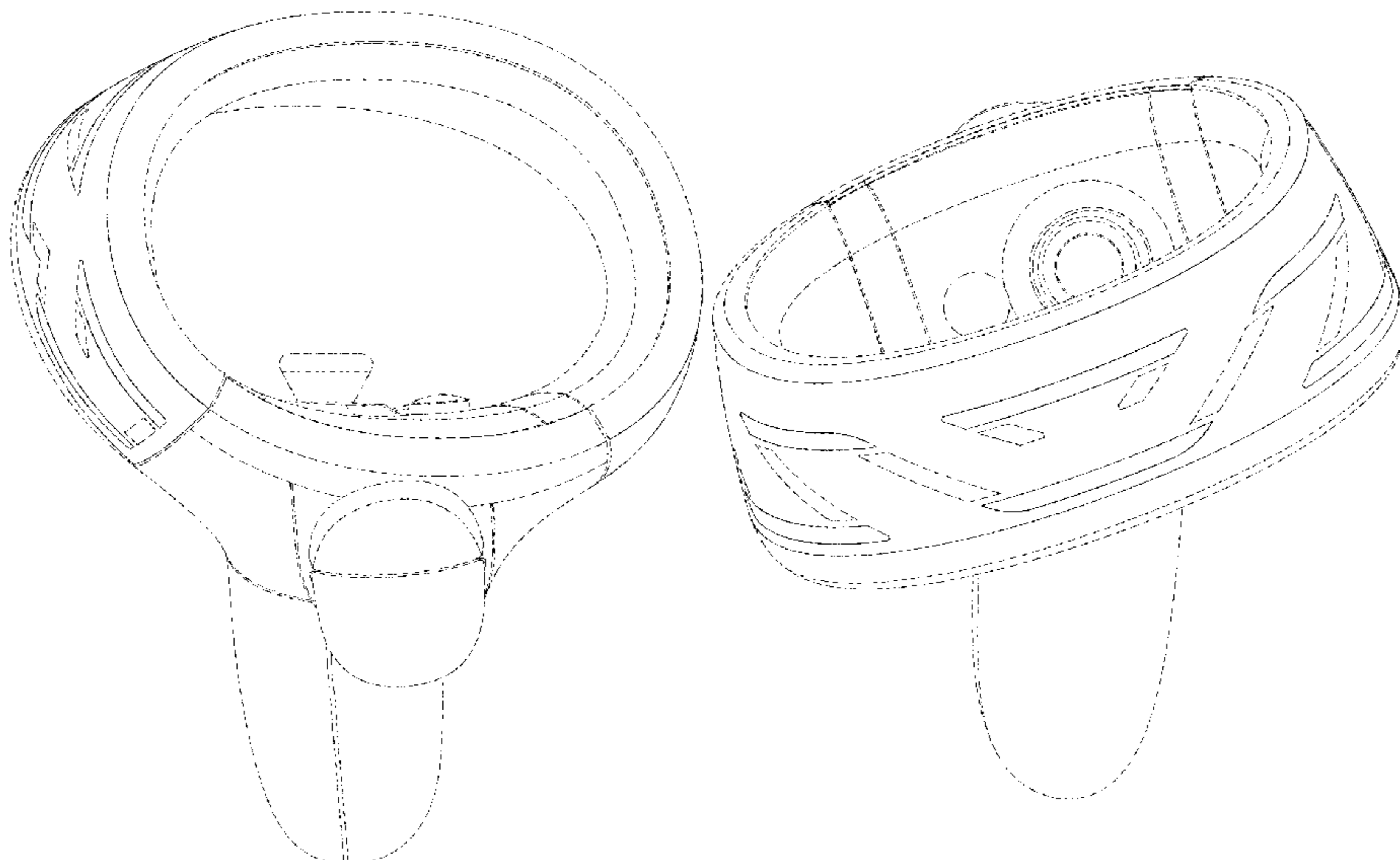
(57) **CLAIM**

The ornamental design for a remote controller, as shown and described.

DESCRIPTION

FIG. 1 is a front perspective view of a remote controller in accordance with our new design;
FIG. 2 is a rear perspective view thereof;
FIG. 3 is a front view thereof;
FIG. 4 is a rear view thereof;
FIG. 5 is a left view thereof;
FIG. 6 is a right view thereof;
FIG. 7 is a top plan view thereof; and,
FIG. 8 is a bottom plan view thereof.
The broken lines in the drawings depict portions of the remote controller that form no part of the claim.

1 Claim, 8 Drawing Sheets



(56)

References Cited

U.S. PATENT DOCUMENTS

D844,609 S ‡ 4/2019 Bristol D14/388
10,409,392 B1 ‡ 9/2019 Allin G06F 3/04847
10,447,265 B1 ‡ 10/2019 Tompkins H03K 17/962
10,459,544 B2 ‡ 10/2019 Chiu H03K 17/962
D866,554 S ‡ 11/2019 Lo D14/388
10,561,936 B1 ‡ 2/2020 Chen A63F 13/24
D883,283 S ‡ 5/2020 Chen D14/388
D885,386 S ‡ 5/2020 Wei D14/388
D888,056 S ‡ 6/2020 Wei D14/388
D891,430 S ‡ 7/2020 Lee D14/400
D891,772 S ‡ 8/2020 Liang D3/269
D898,027 S * 10/2020 Lo D14/388
D903,667 S * 12/2020 Wei D14/388
D904,519 S * 12/2020 Adams D21/333
D905,164 S * 12/2020 Adams D21/333
D905,165 S * 12/2020 Adams D21/333
D931,375 S * 9/2021 Meng D21/333
D937,833 S * 12/2021 Bristol D14/388
2016/0357249 A1 ‡ 12/2016 Webb G06F 3/017
2017/0128828 A1 ‡ 5/2017 Long A63F 13/235
2017/0189798 A1 * 7/2017 Rogoza G06F 3/02
2018/0296913 A1 * 10/2018 Chen G06F 3/03547
2018/0311575 A1 ‡ 11/2018 Bristol A63F 13/25
2020/0001172 A1 ‡ 1/2020 Nicoli G06F 3/0308
2020/0089334 A1 ‡ 3/2020 Tompkins G05G 9/047
2020/0147485 A1 ‡ 5/2020 Lin A63F 13/24

* cited by examiner

‡ imported from a related application

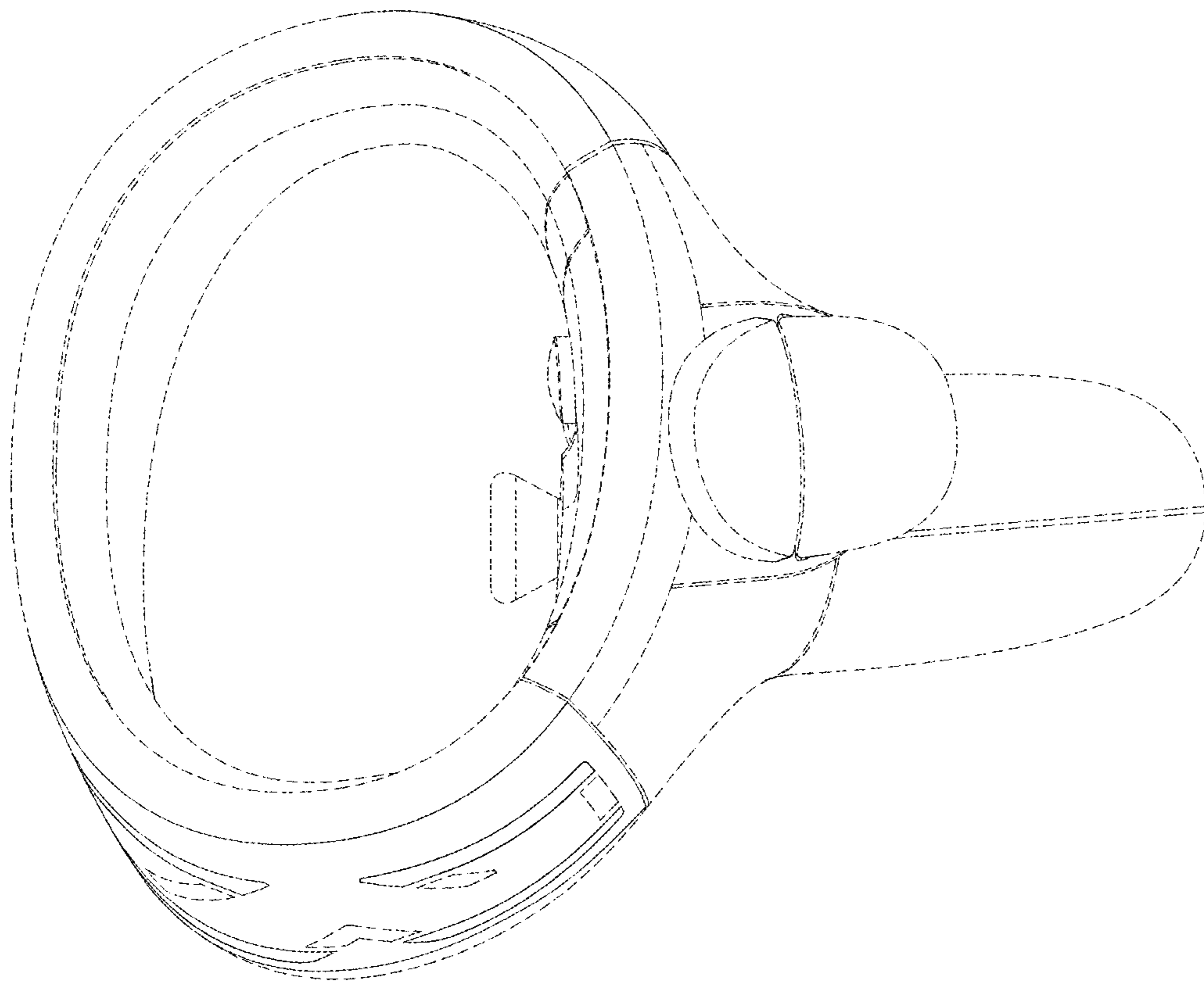


FIG. 1

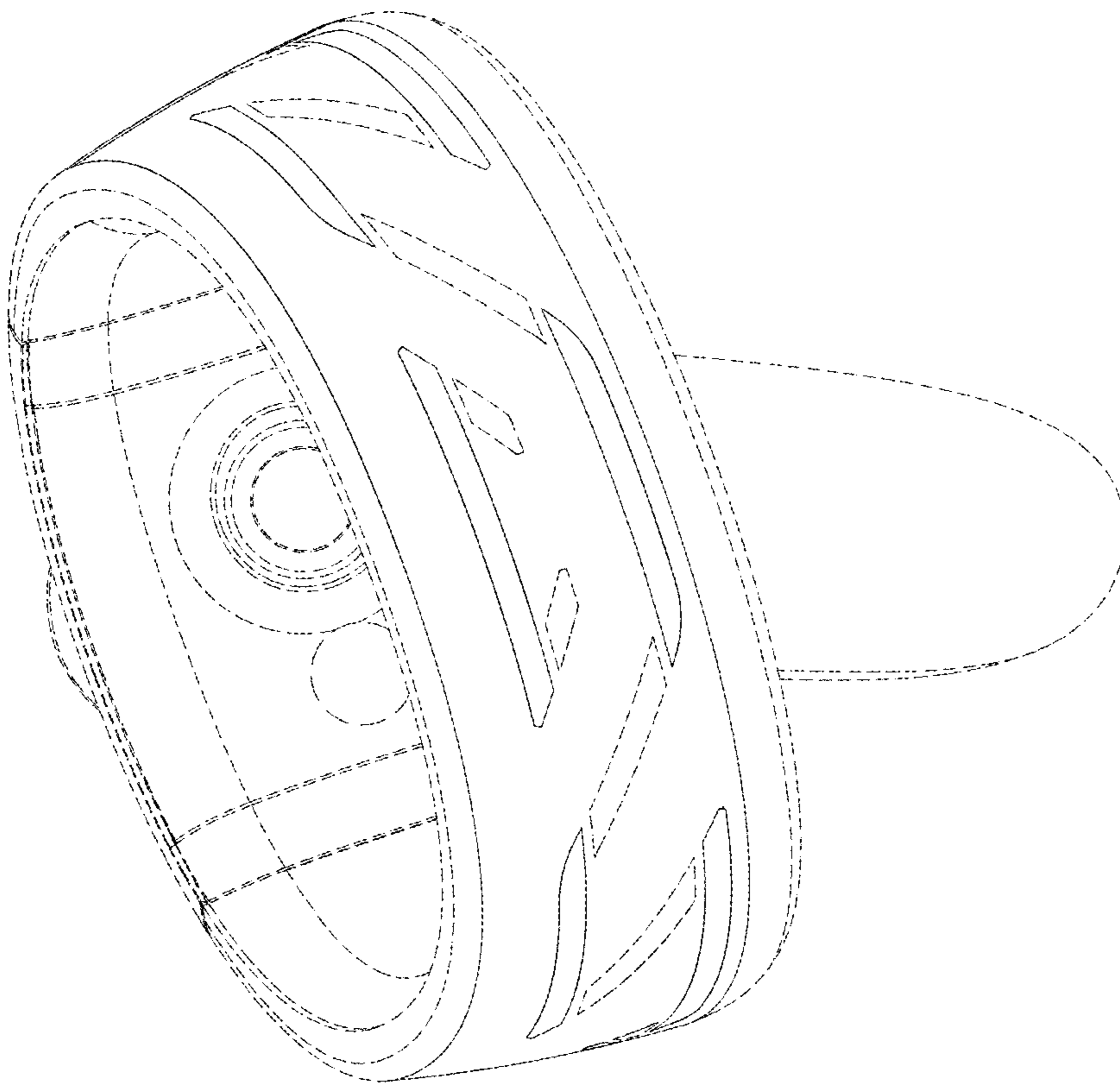


FIG. 2

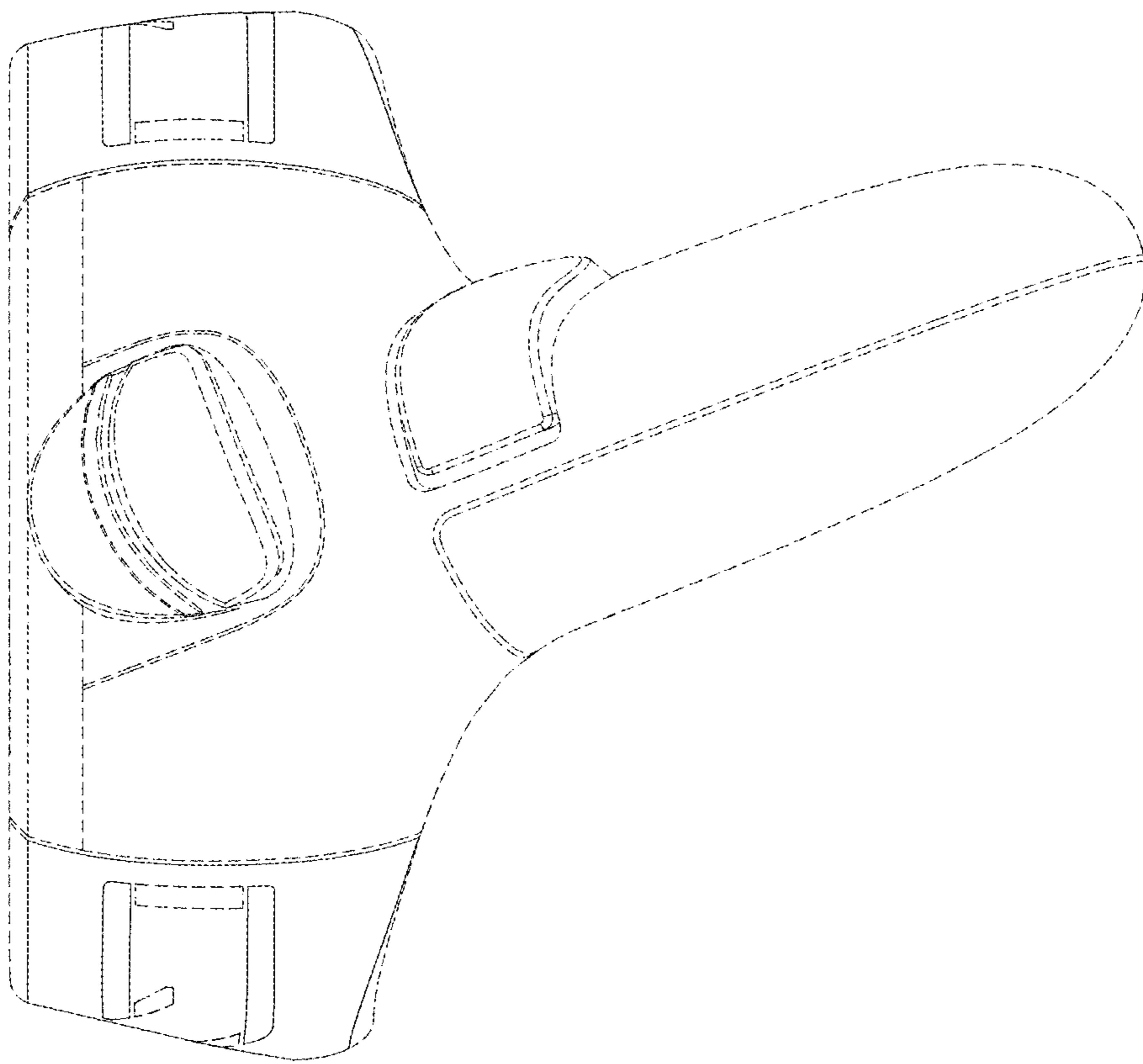


FIG. 3

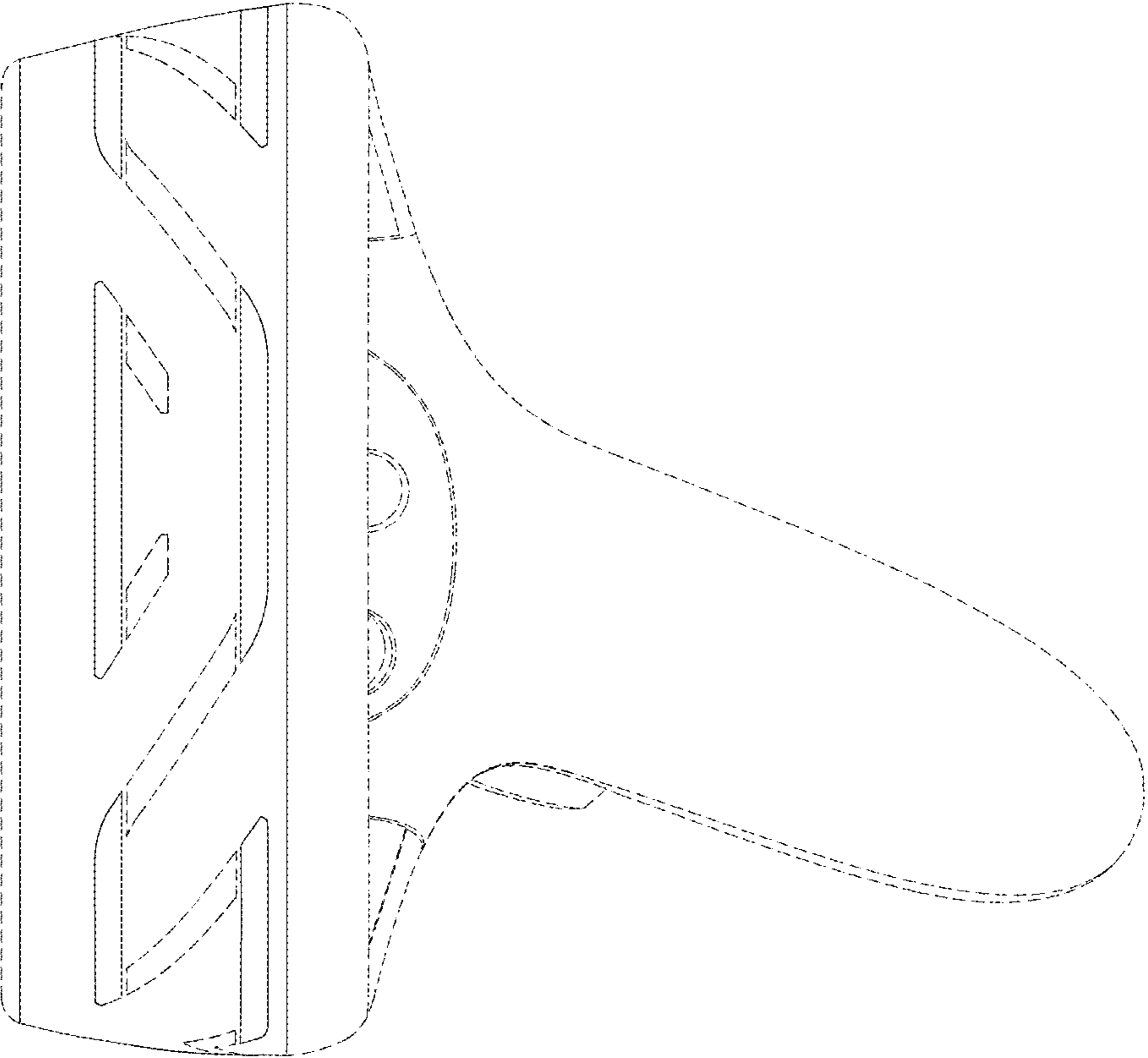


FIG. 4

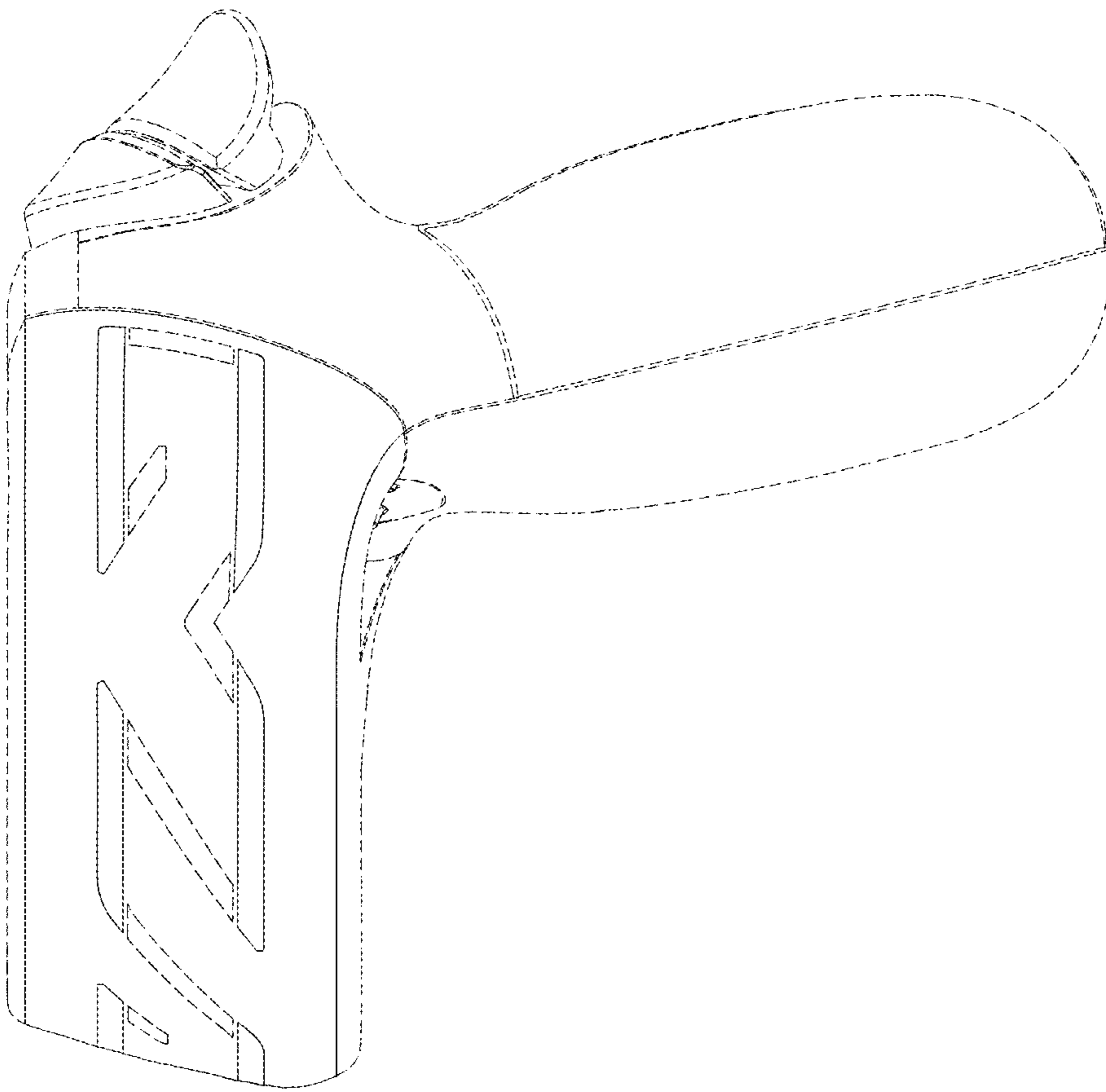


FIG. 5

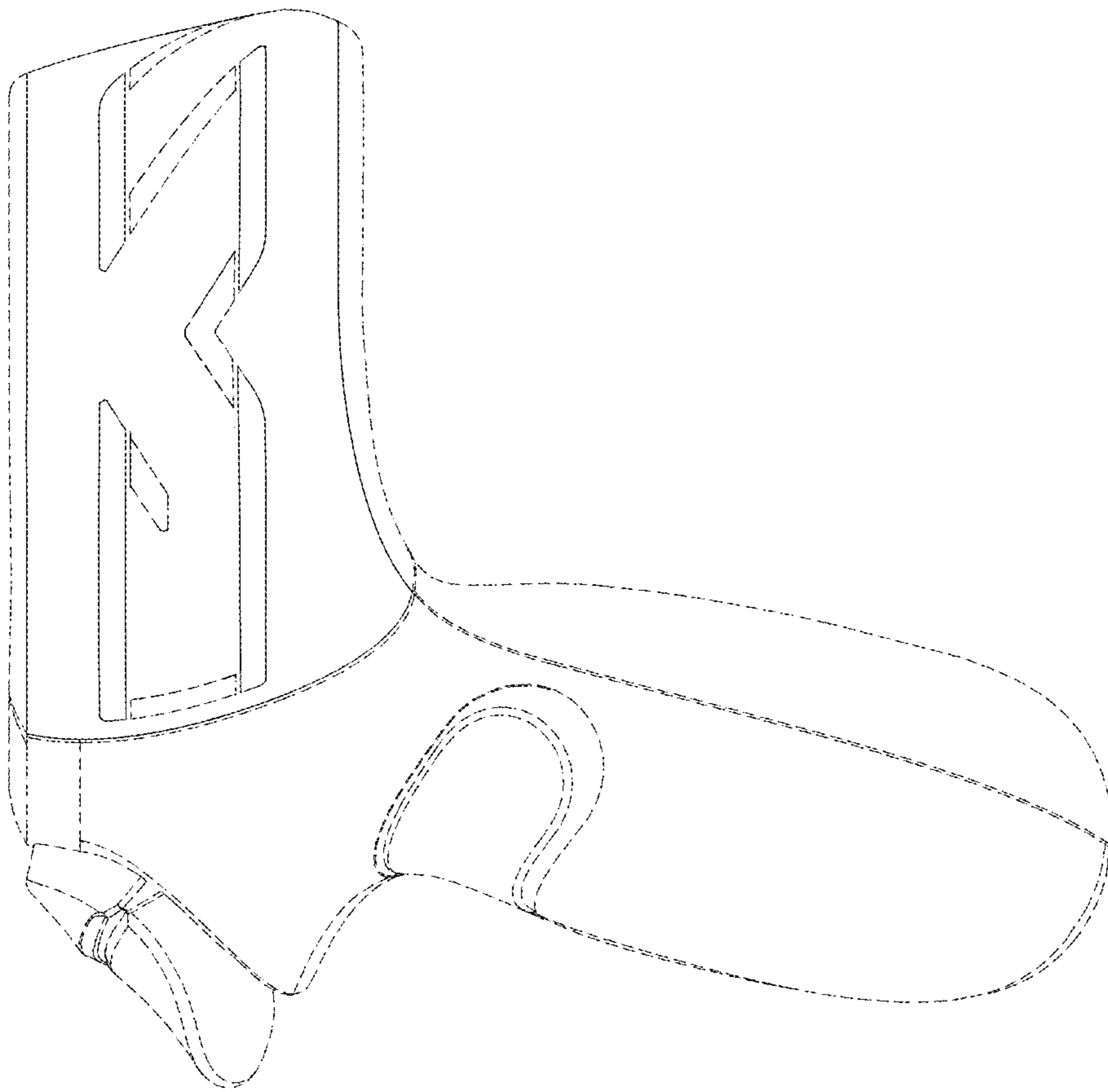


FIG. 6

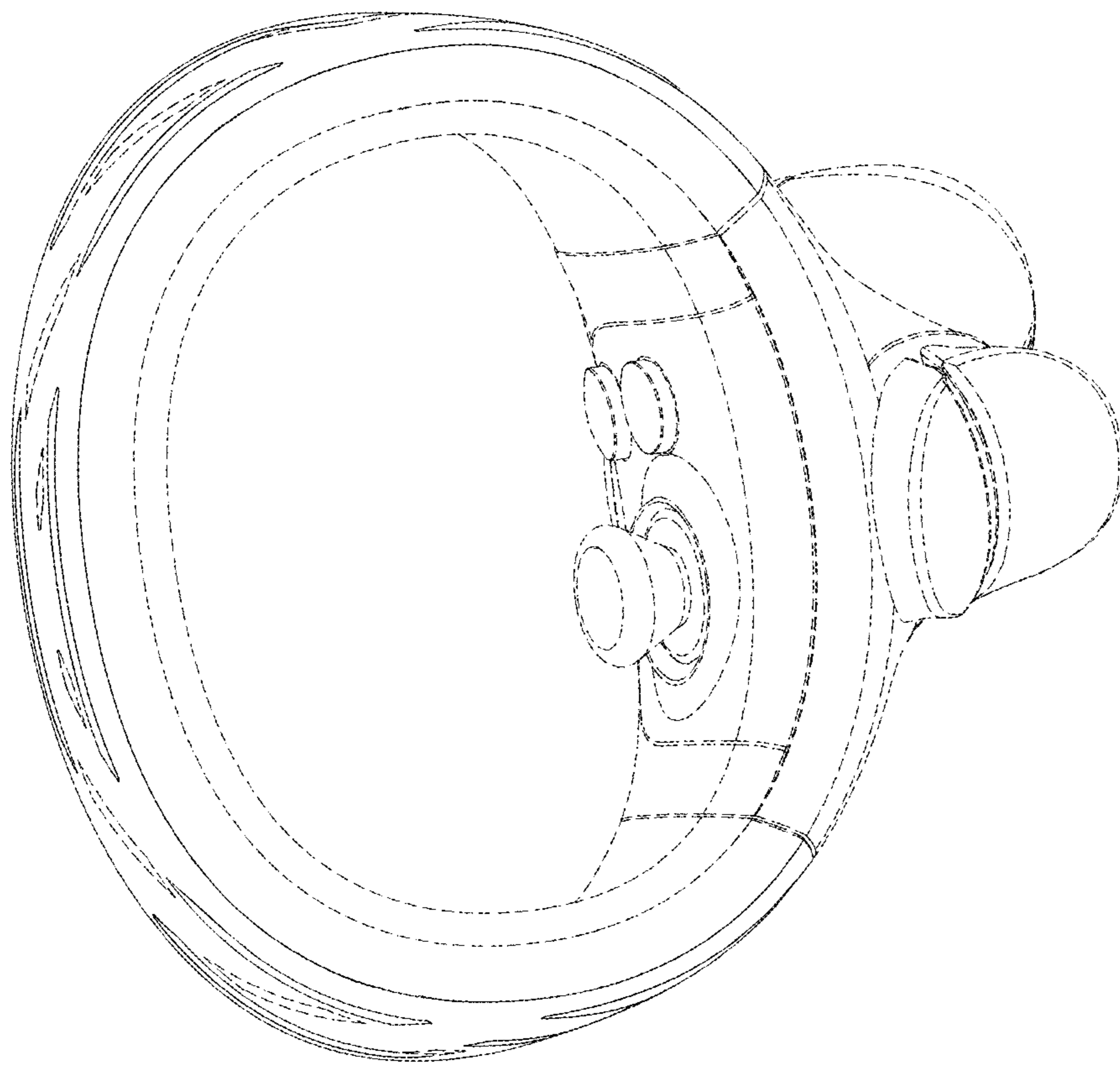


FIG. 7

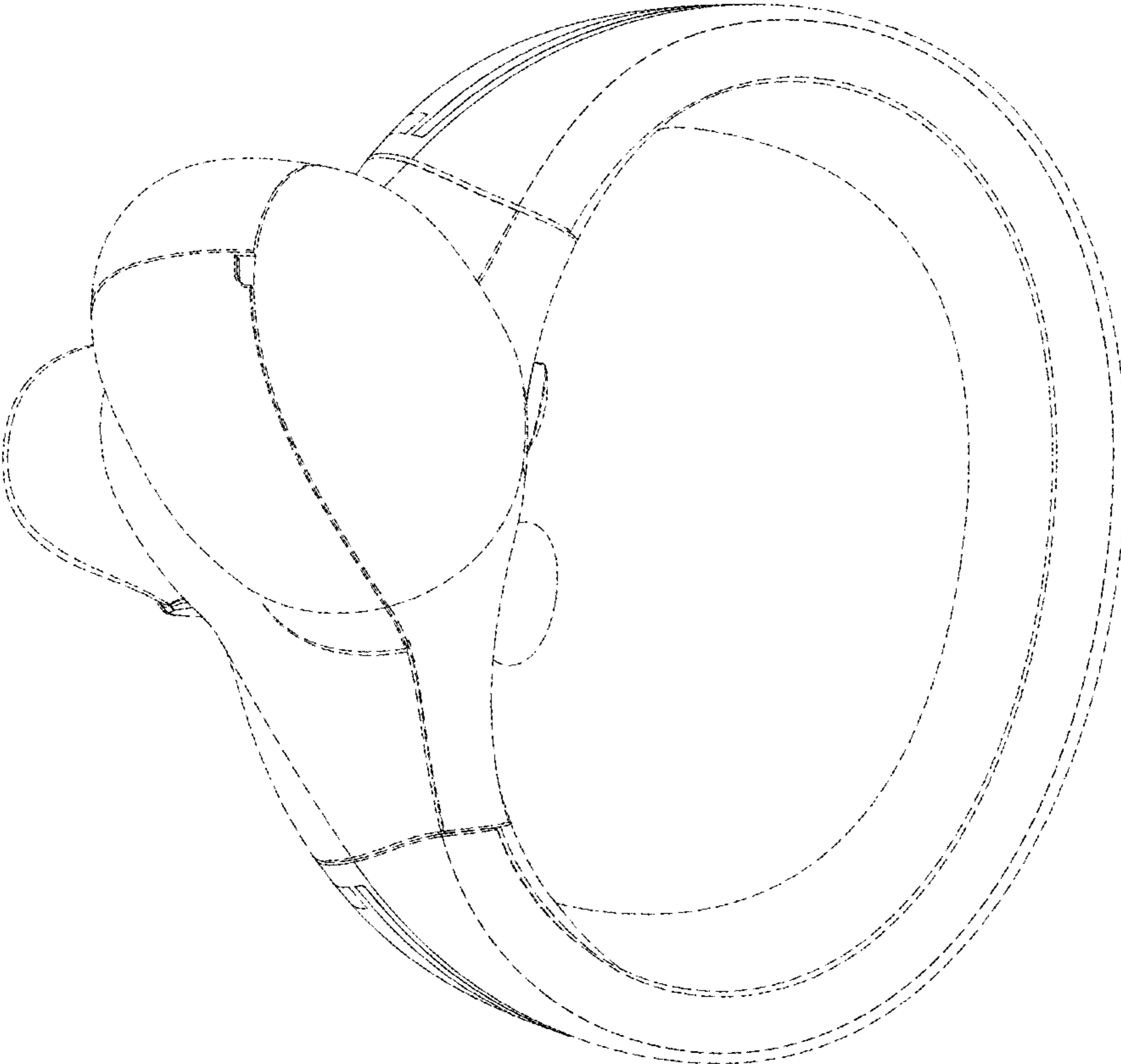


FIG. 8