



US00D945417S

(12) **United States Design Patent**
Wang

(10) **Patent No.:** **US D945,417 S**
(45) **Date of Patent:** **** Mar. 8, 2022**

- (54) **VIRTUAL REALITY MOTION CONTROLLER KIT**
- (71) Applicant: **Hangzhou Virtual And Reality Technology Co., LTD.**, Hangzhou (CN)
- (72) Inventor: **Bo Wang**, Hangzhou (CN)
- (73) Assignee: **Hangzhou Virtual And Reality Technology Co., LTD.**, Hangzhou (CN)
- (**) Term: **15 Years**
- (21) Appl. No.: **29/734,340**
- (22) Filed: **May 12, 2020**
- (51) **LOC (13) Cl.** **14-02**
- (52) **U.S. Cl.**
USPC **D14/388; D14/358**
- (58) **Field of Classification Search**
USPC D14/356, 357, 388, 400, 401, 418, 419, D14/454, 218, 155, 168, 188, 240, 242,
(Continued)

- (56) **References Cited**
U.S. PATENT DOCUMENTS
D221,818 S * 9/1971 Chardack D24/167
D316,379 S * 4/1991 Labas D10/106.1
(Continued)

- FOREIGN PATENT DOCUMENTS**
CN 30576655 * 5/2020

OTHER PUBLICATIONS
Kat Loco wearable sensors give VR movement a leg up. (online) 10 pgs. Posted Jul. 15, 2019. [Retrieved Aug. 23, 2021] <https://newatlas.com/kat-loco-vr-sensors/60578/>.*

Primary Examiner — Marie D. Fast Horse

(74) *Attorney, Agent, or Firm* — Bayramoglu Law Offices LLC

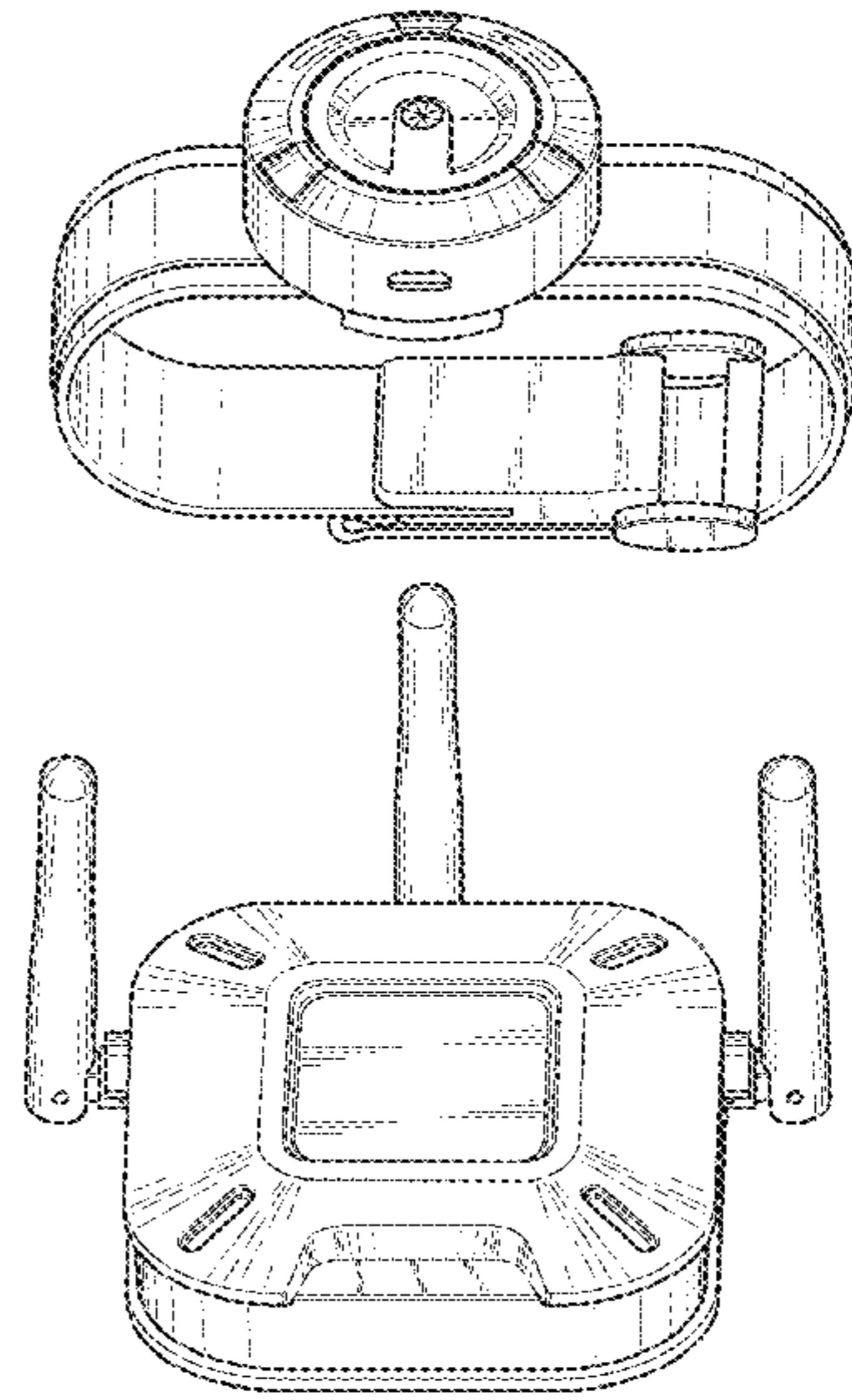
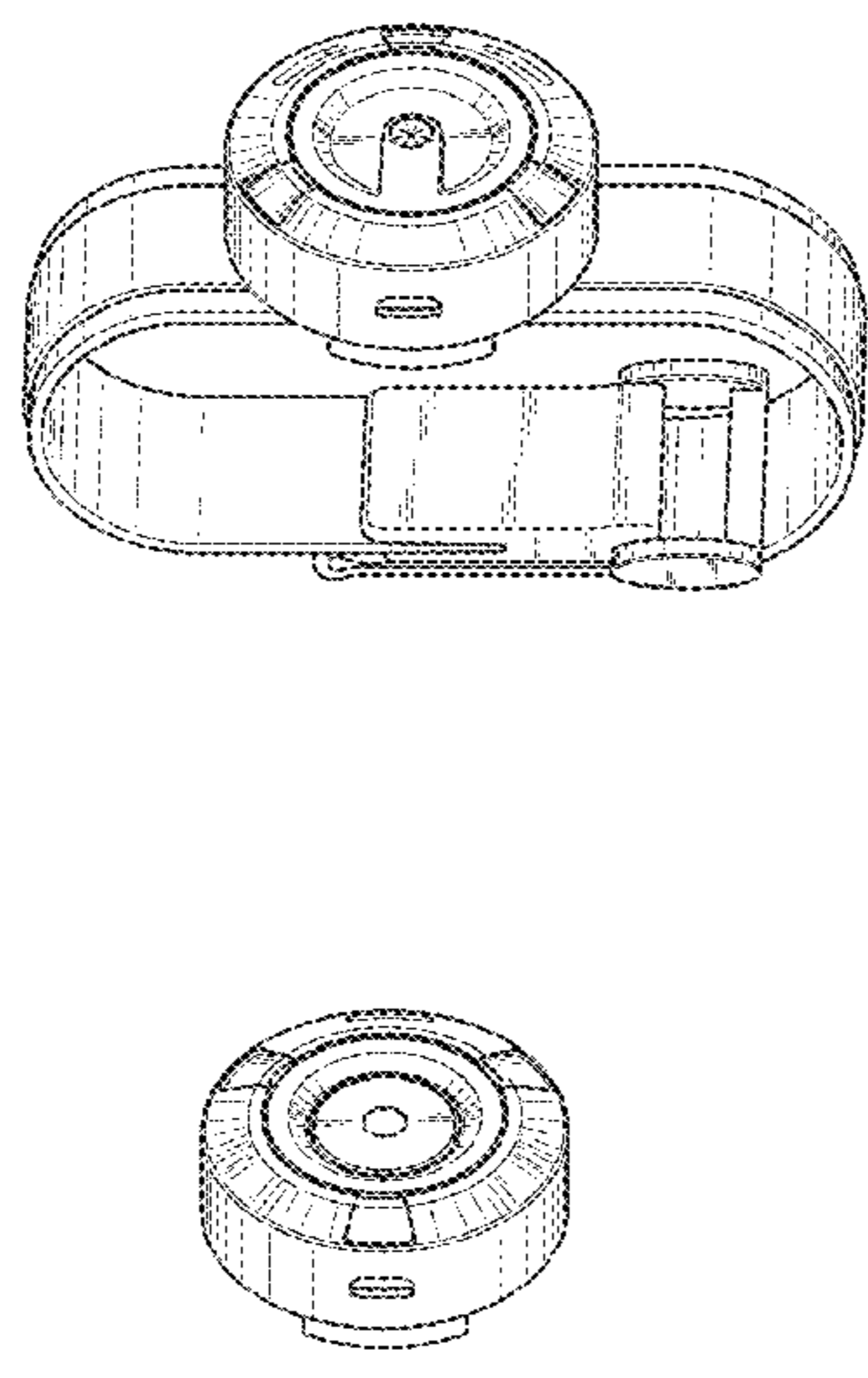
(57) **CLAIM**
The ornamental design for a virtual reality motion controller kit, as shown and described.

DESCRIPTION

FIG. 1 is a perspective view of a virtual reality motion controller kit showing my new design;
FIG. 2 is a front elevational view of a foot motion controller of the virtual reality motion controller kit, shown isolated for clarity;
FIG. 3 is a rear elevational view thereof;
FIG. 4 is a left side elevational view thereof;
FIG. 5 is a right side elevational view thereof;
FIG. 6 is a top plan view thereof;
FIG. 7 is a bottom plan view thereof;
FIG. 8 is a perspective view thereof;
FIG. 9 is a front elevational view of a waist motion controller of the virtual reality motion controller kit, shown isolated for clarity;
FIG. 10 is a rear elevational view thereof;
FIG. 11 is a left side elevational view thereof;
FIG. 12 is a right side elevational view thereof;
FIG. 13 is a top plan view thereof;
FIG. 14 is a bottom plan view thereof;
FIG. 15 is a perspective view thereof;
FIG. 16 is a front elevational view of a computer controller of the virtual reality motion controller kit, shown isolated for clarity;
FIG. 17 is a rear elevational view thereof;
FIG. 18 is a left side elevational view thereof;
FIG. 19 is a right side elevational view thereof;
FIG. 20 is a top plan view thereof;
FIG. 21 is a bottom plan view thereof; and,
FIG. 22 is a perspective view thereof.

The broken lines depict portions of the virtual reality motion controller kit in which the design is embodied that form no part of the claimed design.

1 Claim, 12 Drawing Sheets



US D945,417 S

(58) **Field of Classification Search**

USPC D14/344; D13/162, 162.1, 163, 168;
 D10/104.1, 106.1, 106.94; D21/333, 566;
 D24/167.186
 CPC G06F 1/1684; G06F 1/1694; G06F 3/011;
 G06F 3/014; G06F 17/00; G06F
 2203/0384; A61B 5/11; A61B 5/68; A61B
 5/6813; A61B 5/6823; A61B 5/6824;
 A61B 5/6829; A61B 5/683; A61B
 5/6831; H04W 88/005; H04W 88/02;
 H04W 88/08; H04W 88/12; H04W 88/16;
 H04W 88/18

See application file for complete search history.

(56) **References Cited**

U.S. PATENT DOCUMENTS

D342,571 S * 12/1993 Givens, Sr. D24/186
 D351,375 S * 10/1994 Nagele D13/171
 D362,070 S * 9/1995 Willis D24/186
 D371,793 S * 7/1996 Patton D14/218
 D381,009 S * 7/1997 Nagata D10/106.1
 D389,077 S * 1/1998 Miranda, Jr. D10/106.1
 D391,943 S * 3/1998 Han D14/356
 D391,944 S * 3/1998 Han D14/356
 D394,819 S * 6/1998 Maser D10/106.1
 D396,852 S * 8/1998 Chao D14/358
 D439,981 S * 4/2001 Kasabach D24/186
 D440,163 S * 4/2001 Callis D10/31
 D454,551 S * 3/2002 Bonadei D10/31
 D461,181 S * 8/2002 Ko D14/242
 D465,222 S * 11/2002 Wang D14/433
 D465,469 S * 11/2002 Heath D10/104.1
 D468,706 S * 1/2003 Schelbach D13/168
 D489,720 S * 5/2004 Sasaki D14/358
 D492,783 S * 7/2004 Lax D24/167
 D508,738 S * 8/2005 Lodato D14/138 R
 D512,417 S * 12/2005 Hirakawa D14/223
 D514,122 S * 1/2006 Rodarte D14/203.6
 D515,580 S * 2/2006 Boswell D14/412
 D524,295 S * 7/2006 Jacobson D14/218
 D526,916 S * 8/2006 Oas D10/70
 D534,821 S * 1/2007 Chen D10/104.1
 D536,265 S * 2/2007 Reynoso D10/31
 D542,234 S * 5/2007 Shimizu D13/168
 D542,280 S * 5/2007 Taylor D14/218
 D548,728 S * 8/2007 Yoshiyama D14/218
 D551,576 S * 9/2007 Field D10/38
 D554,614 S * 11/2007 Lin D14/509
 D559,841 S * 1/2008 Liu D14/240
 D561,703 S * 2/2008 Shimokawa D13/168
 D561,750 S * 2/2008 Liu D14/240
 D564,366 S * 3/2008 Yeh D10/30
 D568,304 S * 5/2008 Park D14/240
 D572,250 S * 7/2008 Yang D14/435.1
 D573,547 S * 7/2008 Stevens D13/168
 D581,826 S * 12/2008 Molyneux D10/32
 D583,362 S * 12/2008 Hsu D14/205
 D594,851 S * 6/2009 Dai D14/218
 D597,087 S * 7/2009 Herbst D14/240
 D601,564 S * 10/2009 Maeno D14/400
 D618,225 S * 6/2010 Tong D14/240
 D630,112 S * 1/2011 Maruyama D10/70
 D638,394 S * 5/2011 Richards D14/155
 D639,303 S * 6/2011 Ni D14/480.7
 D643,757 S * 8/2011 Chang D10/65
 RE42,686 E * 9/2011 Shimizu D13/168
 D662,496 S * 6/2012 Lewis D14/240
 D667,126 S * 9/2012 Cho D24/186
 D672,667 S * 12/2012 Mix D10/65
 D673,464 S * 1/2013 Perko D10/38
 D679,618 S * 4/2013 Dumas D10/104.2
 D683,251 S * 5/2013 Dumas D10/104.2
 D683,636 S * 6/2013 Levanen D10/70
 8,465,333 B2 * 6/2013 Sells B63H 21/22
 441/69

D685,790 S * 7/2013 Tang D14/388
 D687,415 S * 8/2013 Vuillet D14/218
 D692,784 S * 11/2013 Anderssen D10/70
 D693,248 S * 11/2013 Anderssen D10/65
 D693,251 S * 11/2013 Anderssen D10/70
 D700,904 S * 3/2014 Miller D14/218
 D708,188 S * 7/2014 Erickson D14/480.1
 D709,392 S * 7/2014 Wang D10/70
 D710,228 S * 8/2014 Burke D10/104.1
 D715,664 S * 10/2014 Edgett D10/98
 D721,978 S * 2/2015 Tovar D10/38
 D729,092 S * 5/2015 Phillips D10/103
 D729,673 S * 5/2015 Kopp, Jr. D10/103
 D730,198 S * 5/2015 Perko D10/32
 D730,328 S * 5/2015 Chun D14/230
 D730,761 S * 6/2015 Spaeth D10/70
 D734,192 S * 7/2015 Phillips D10/103
 D734,330 S * 7/2015 Huang D14/344
 D734,331 S * 7/2015 Wu D14/344
 D738,971 S * 9/2015 Riddiford D21/694
 D747,494 S * 1/2016 Tamsiran D24/186
 D749,666 S * 2/2016 Ahdoot D16/237
 D750,886 S * 3/2016 Webb D3/208
 D751,538 S * 3/2016 Koehler D14/240
 D756,332 S * 5/2016 Wai D14/218
 D758,996 S * 6/2016 Wai D14/218
 D762,453 S * 8/2016 Webb D8/347
 D765,656 S * 9/2016 Forakis D14/344
 D766,877 S * 9/2016 Haase D14/215
 D768,114 S * 10/2016 Hou D14/218
 D771,824 S * 11/2016 Minoli D24/187
 D775,233 S * 12/2016 Beck D14/496
 D783,021 S * 4/2017 Peel D14/388
 D783,614 S * 4/2017 Hao D14/388
 D784,287 S * 4/2017 Murray D14/168
 D784,982 S * 4/2017 Alberola D14/358
 D788,820 S * 6/2017 Beck D14/496
 D790,538 S * 6/2017 Saimen D14/358
 D796,355 S * 9/2017 Cho D14/344
 D796,356 S * 9/2017 Bayley D10/70
 D797,149 S * 9/2017 Beck D14/496
 D802,151 S * 11/2017 Bagatar D24/186
 D804,531 S * 12/2017 Beck D14/496
 D804,533 S * 12/2017 Mangum D14/496
 D814,451 S * 4/2018 Shin D14/242
 D815,626 S * 4/2018 Clover D14/242
 D820,124 S * 6/2018 Mouradian D10/70
 D822,717 S * 7/2018 Lim D14/496
 D823,513 S * 7/2018 Iraneta Olcoz D14/218
 D828,351 S * 9/2018 Xie D14/344
 D829,198 S * 9/2018 Cho D14/240
 D829,714 S * 10/2018 Robinson D14/356
 D831,642 S * 10/2018 Seo D14/344
 D835,104 S * 12/2018 Chen D14/401
 D837,783 S * 1/2019 Wang D14/344
 D838,372 S * 1/2019 Goering D24/186
 D849,704 S * 5/2019 Kim D14/137
 D850,645 S * 6/2019 de Haan D24/216
 D853,999 S * 7/2019 Jiang D14/242
 D857,261 S * 8/2019 Xie D26/28
 D858,463 S * 9/2019 Nien D13/168
 D865,556 S * 11/2019 Siminoff D10/106.1
 D867,909 S * 11/2019 Kachar D10/70
 D870,730 S * 12/2019 Wang D14/388
 D881,874 S * 4/2020 Sobol D14/344
 D890,752 S * 7/2020 Huang D14/358
 D892,653 S * 8/2020 Eason D10/78
 D895,465 S * 9/2020 Loew D10/106.6
 D895,613 S * 9/2020 Kozlovskaya D14/344
 D898,004 S * 10/2020 Sun D14/242
 D900,811 S * 11/2020 Sobol D14/344
 D903,663 S * 12/2020 Jones D14/344
 D907,007 S * 1/2021 Chen D14/218
 D908,116 S * 1/2021 Ye D14/240
 D910,598 S * 2/2021 Kass G06F 1/1656
 D14/218
 D912,031 S * 3/2021 He D14/242
 D912,830 S * 3/2021 Eisen D24/186
 D918,072 S * 5/2021 Umair D10/70

(56)

References Cited

U.S. PATENT DOCUMENTS

D918,137 S * 5/2021 Painter D13/108
D921,506 S * 6/2021 Peich D10/98
D931,835 S * 9/2021 Salem D14/218
2002/0171559 A1* 11/2002 Yang H04B 1/202
340/12.3
2008/0026700 A1* 1/2008 Smith H04B 1/44
455/90.2
2014/0128751 A1* 5/2014 Donaldson A61B 5/11
600/490
2016/0120476 A1* 5/2016 Liu A61B 5/721
600/479
2016/0304033 A1* 10/2016 Wang B60R 11/02
2017/0195821 A1* 7/2017 Lam H04W 4/38
2019/0046077 A1* 2/2019 Li A61B 5/1118
2020/0398155 A1* 12/2020 Niwa A63F 13/245

* cited by examiner

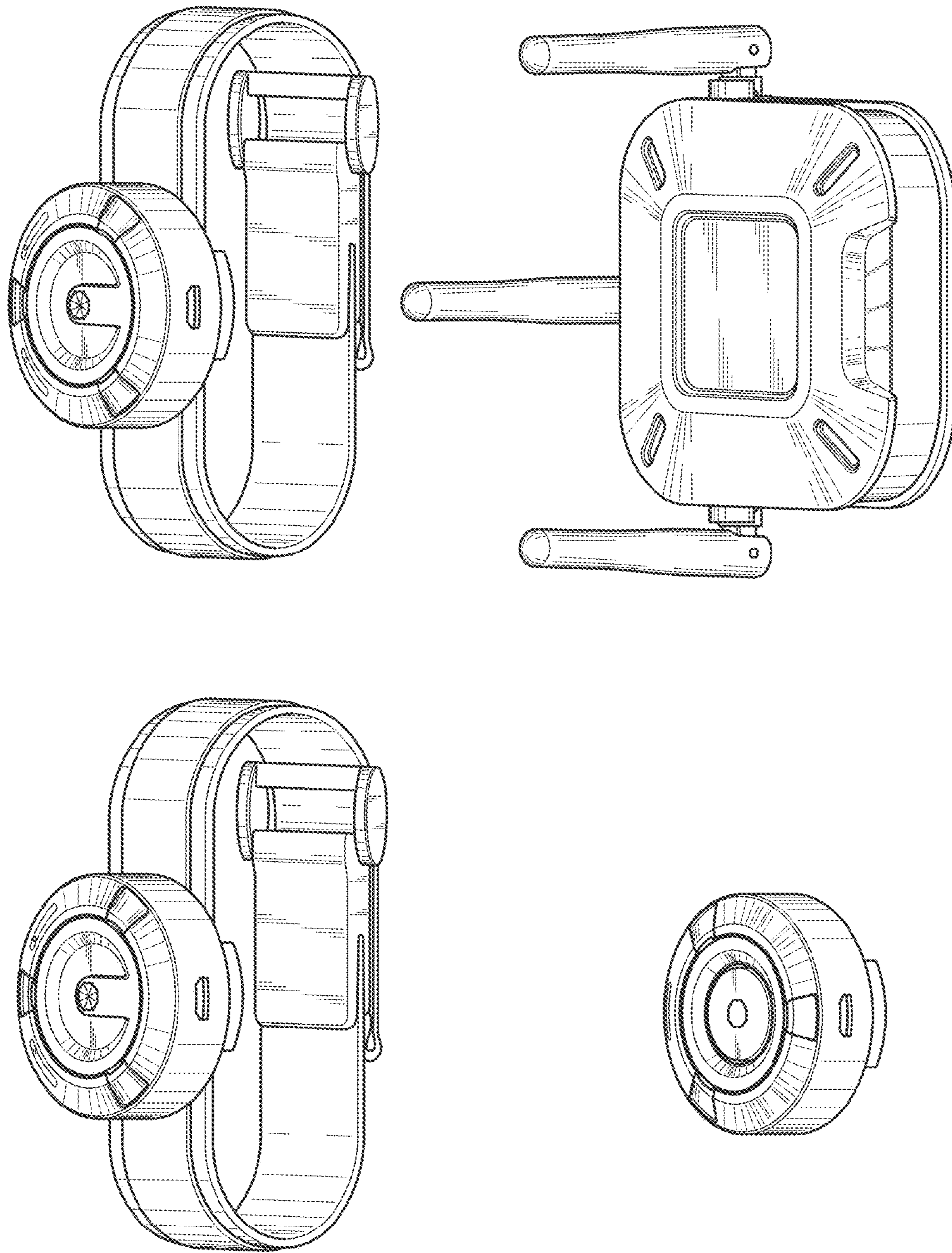


FIG. 1

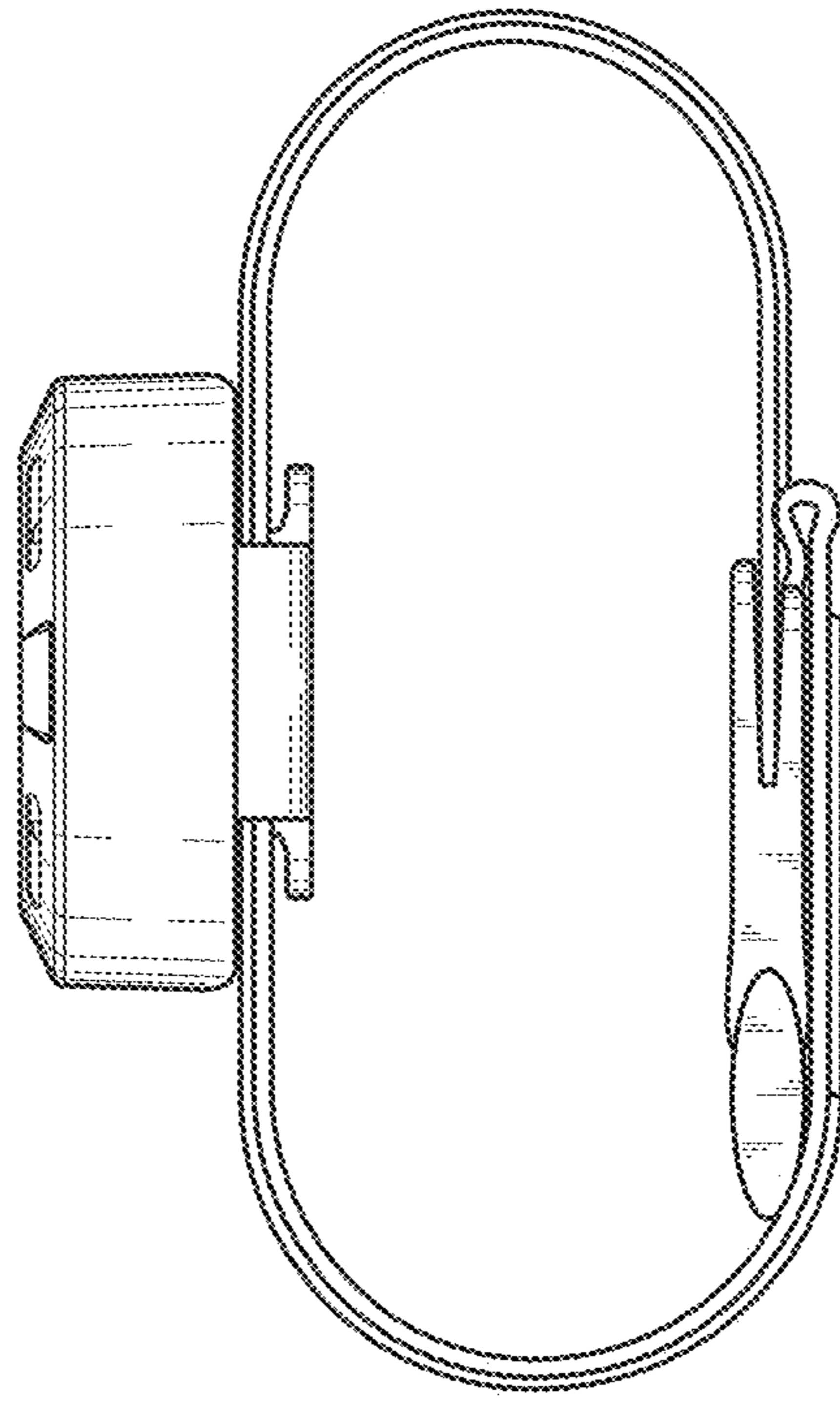


FIG. 2

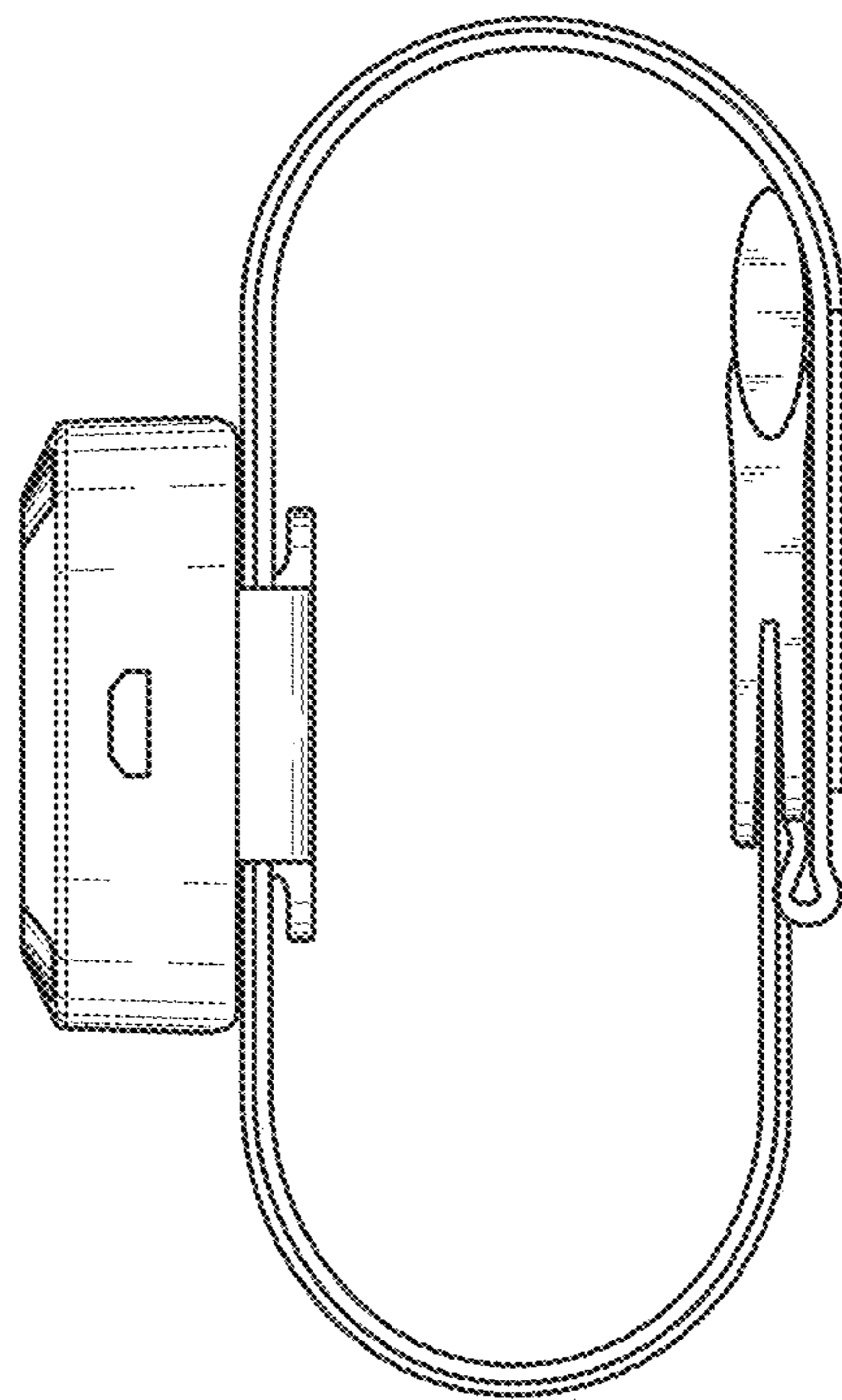


FIG. 3

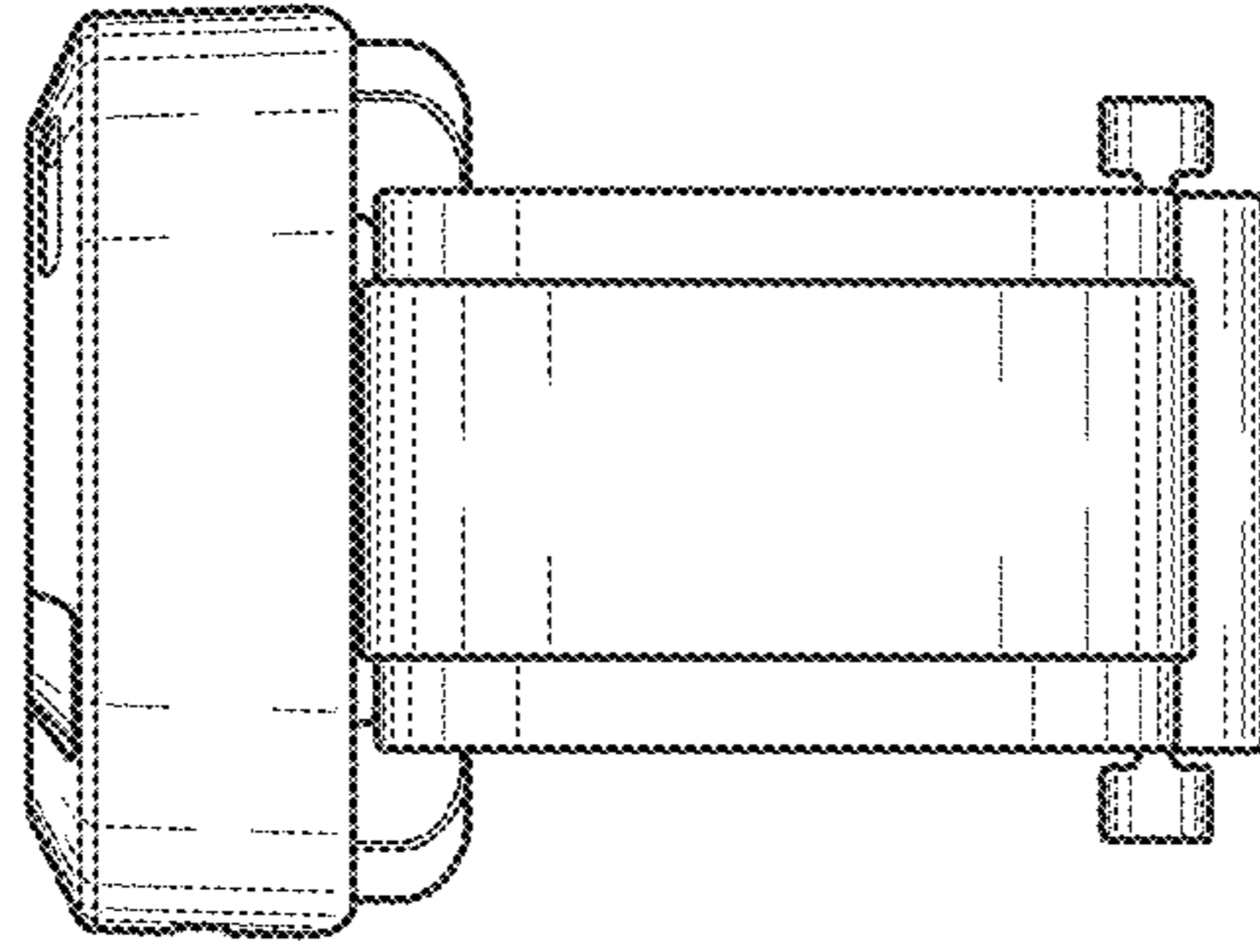


FIG. 5

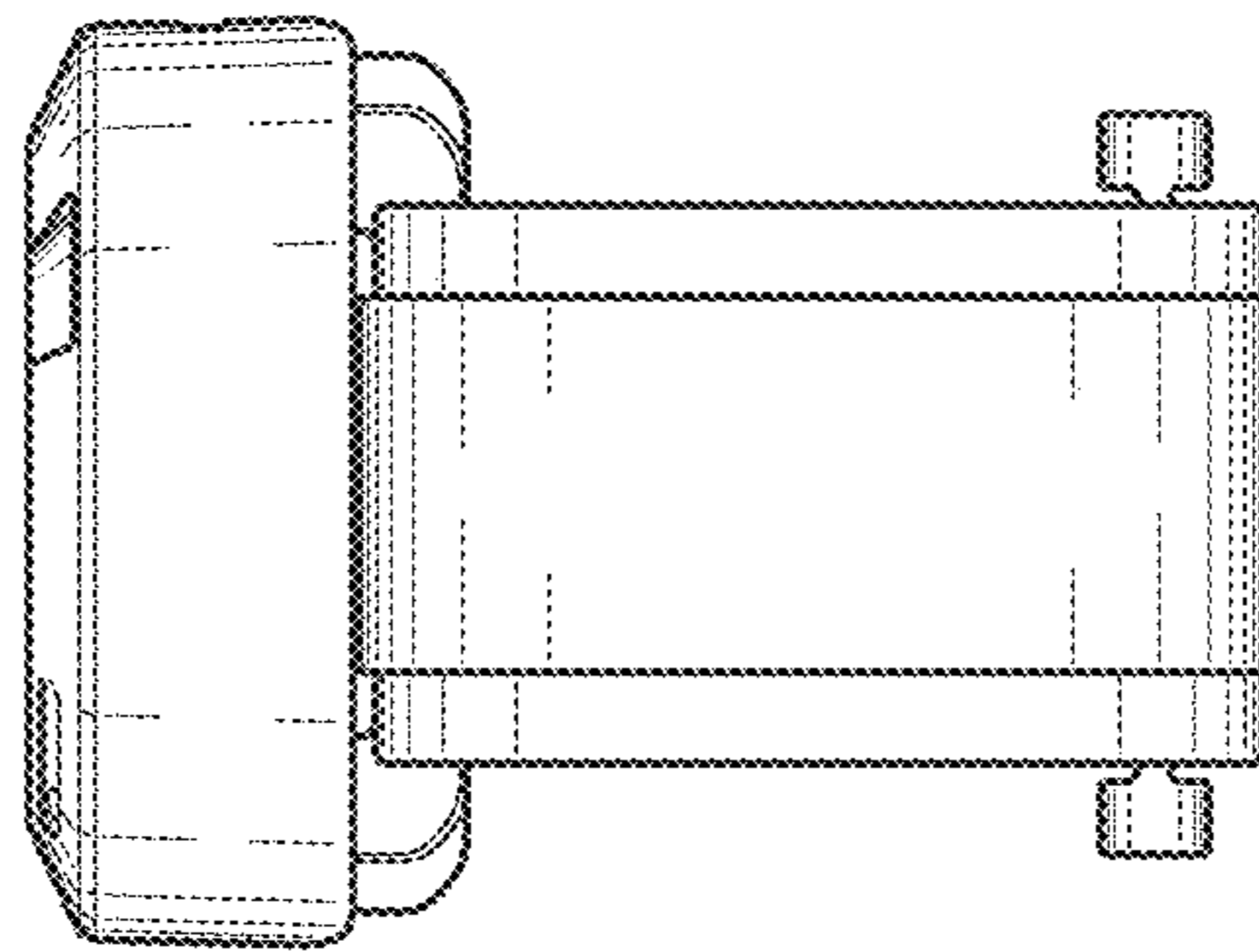


FIG. 4

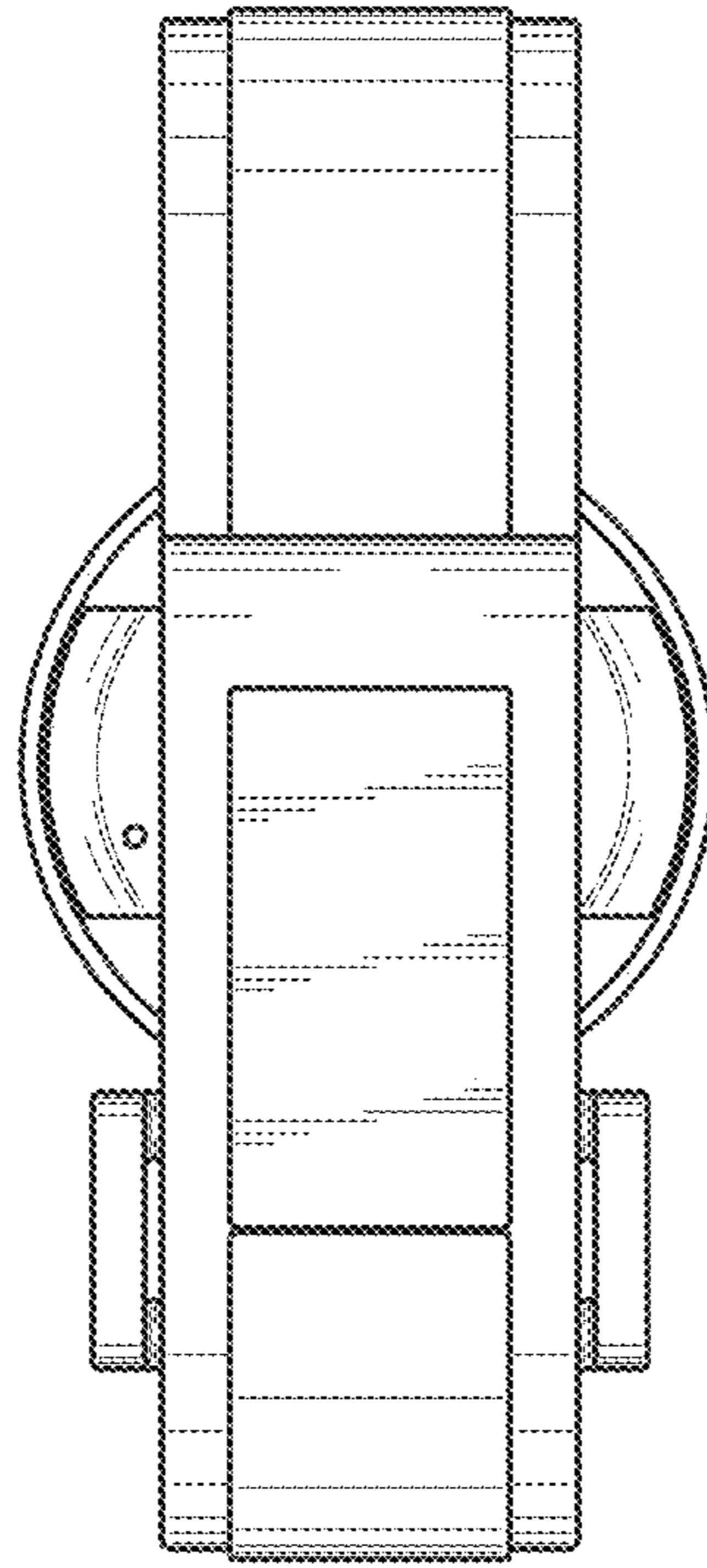


FIG. 7

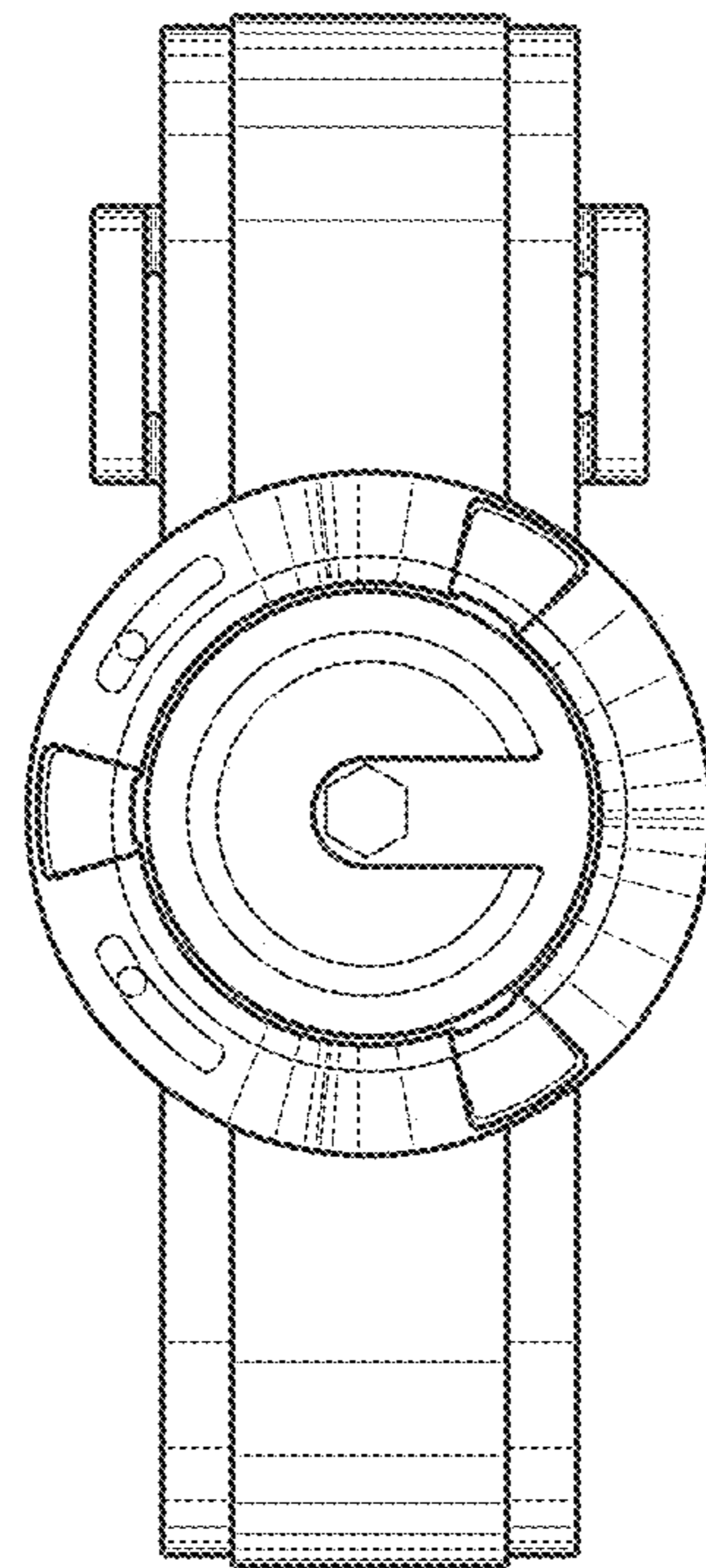


FIG. 6

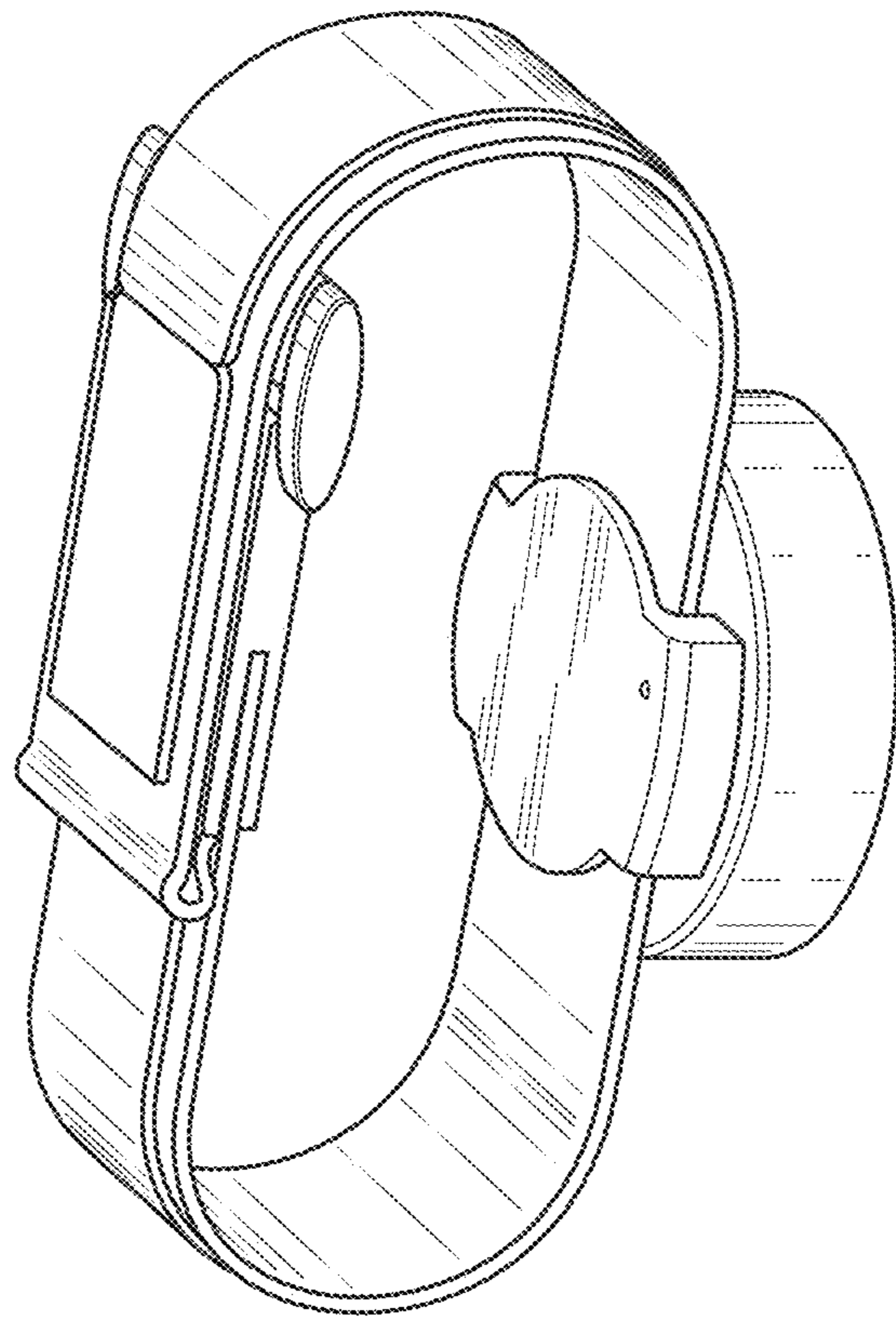


FIG. 8

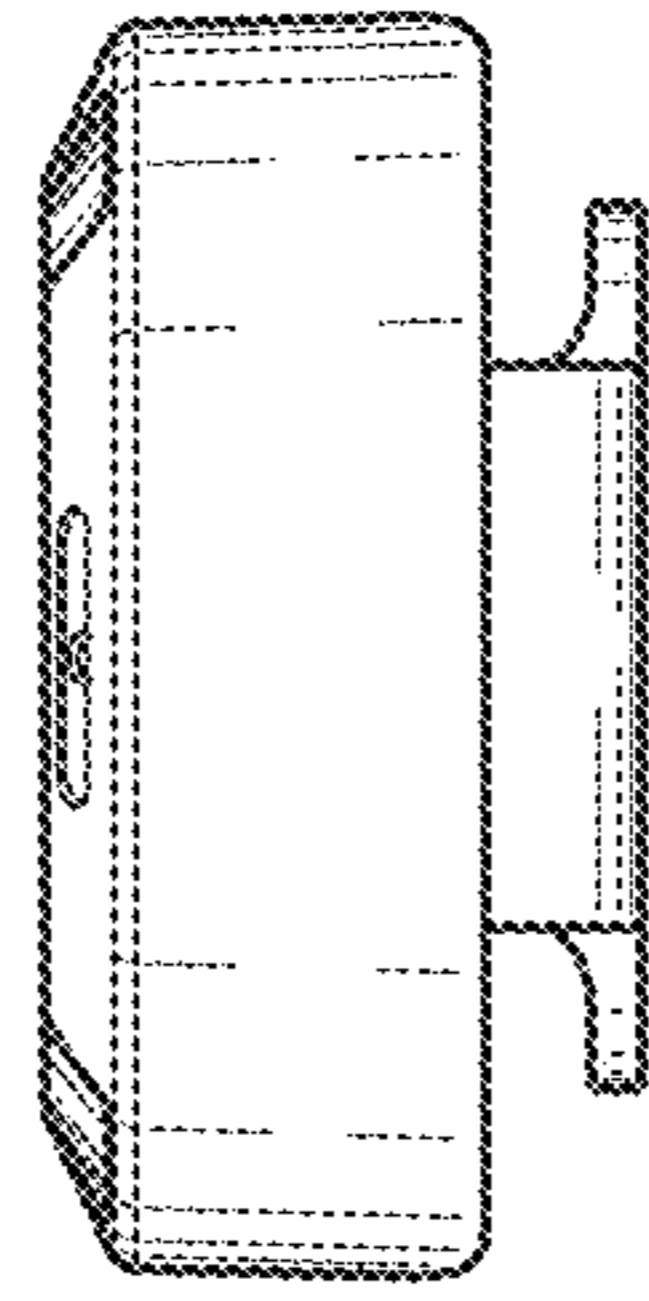


FIG. 10

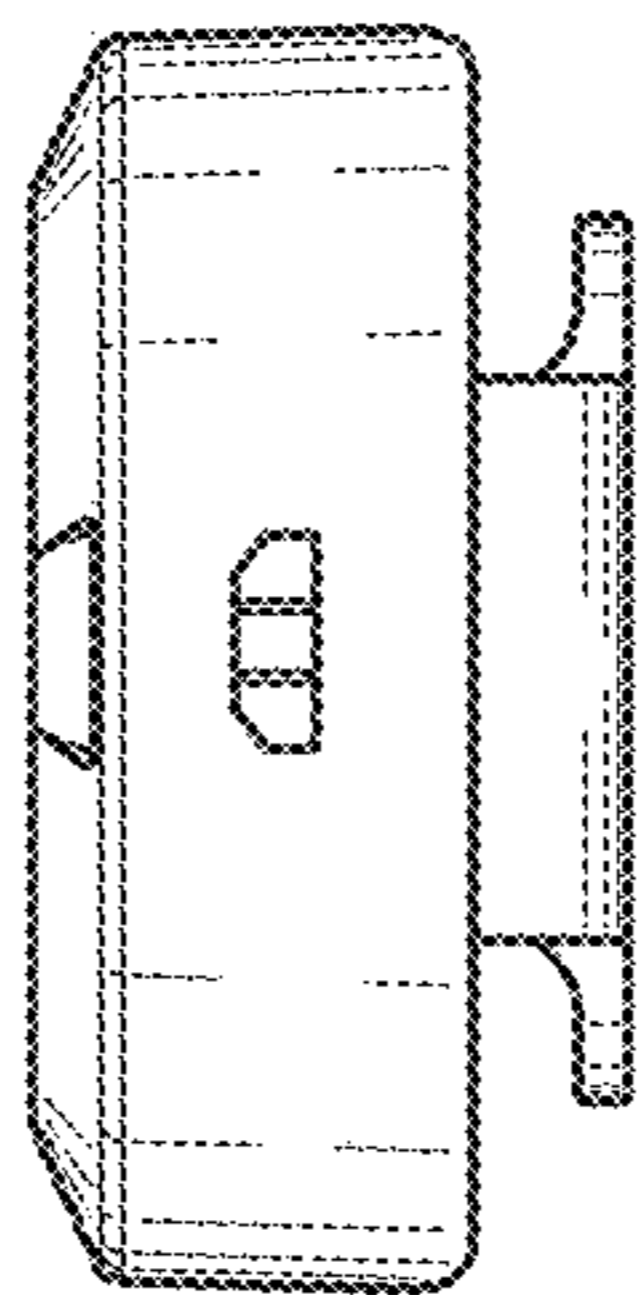


FIG. 9

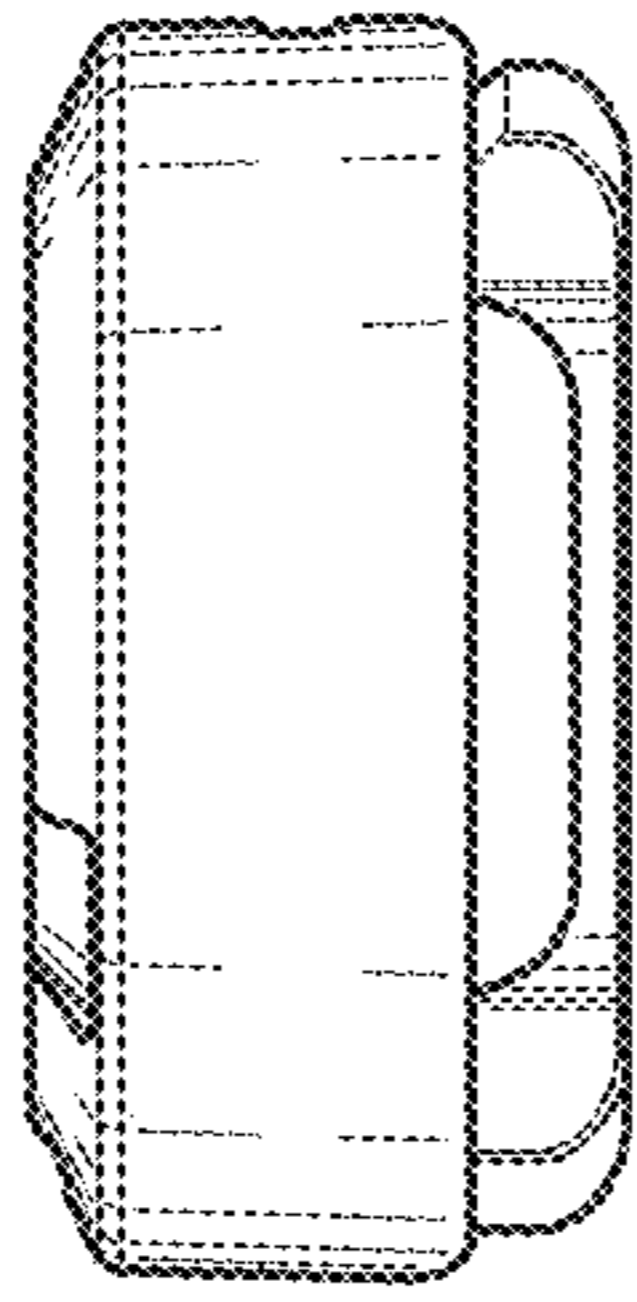


FIG. 12

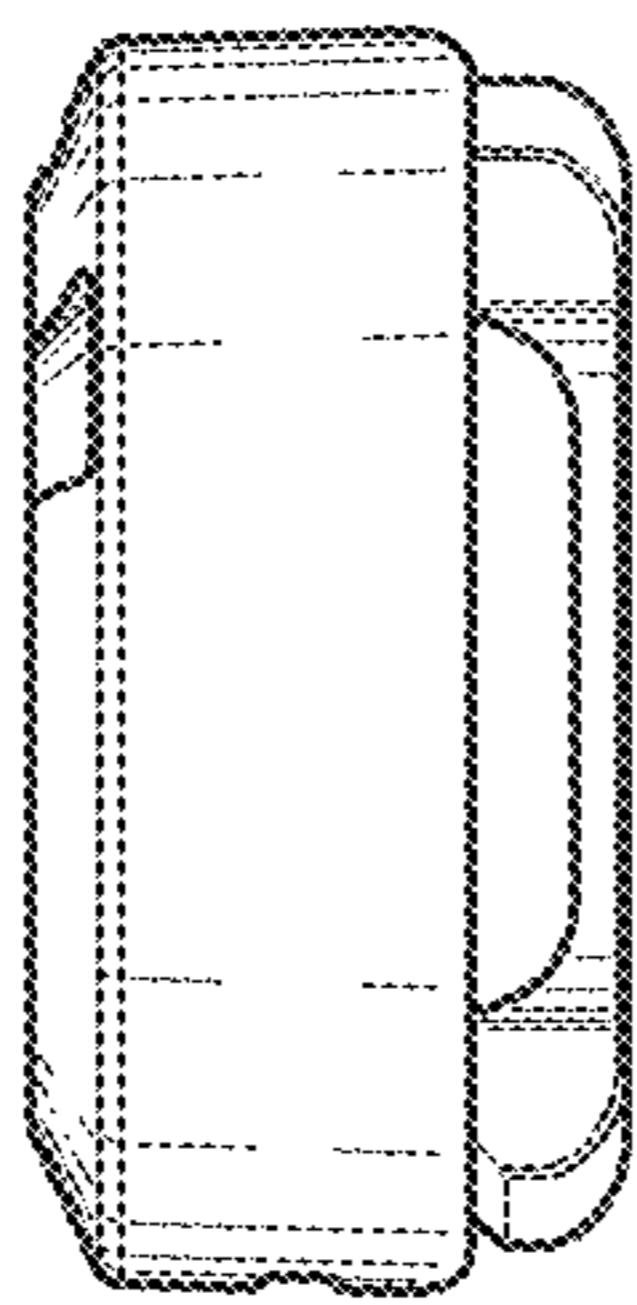


FIG. 11

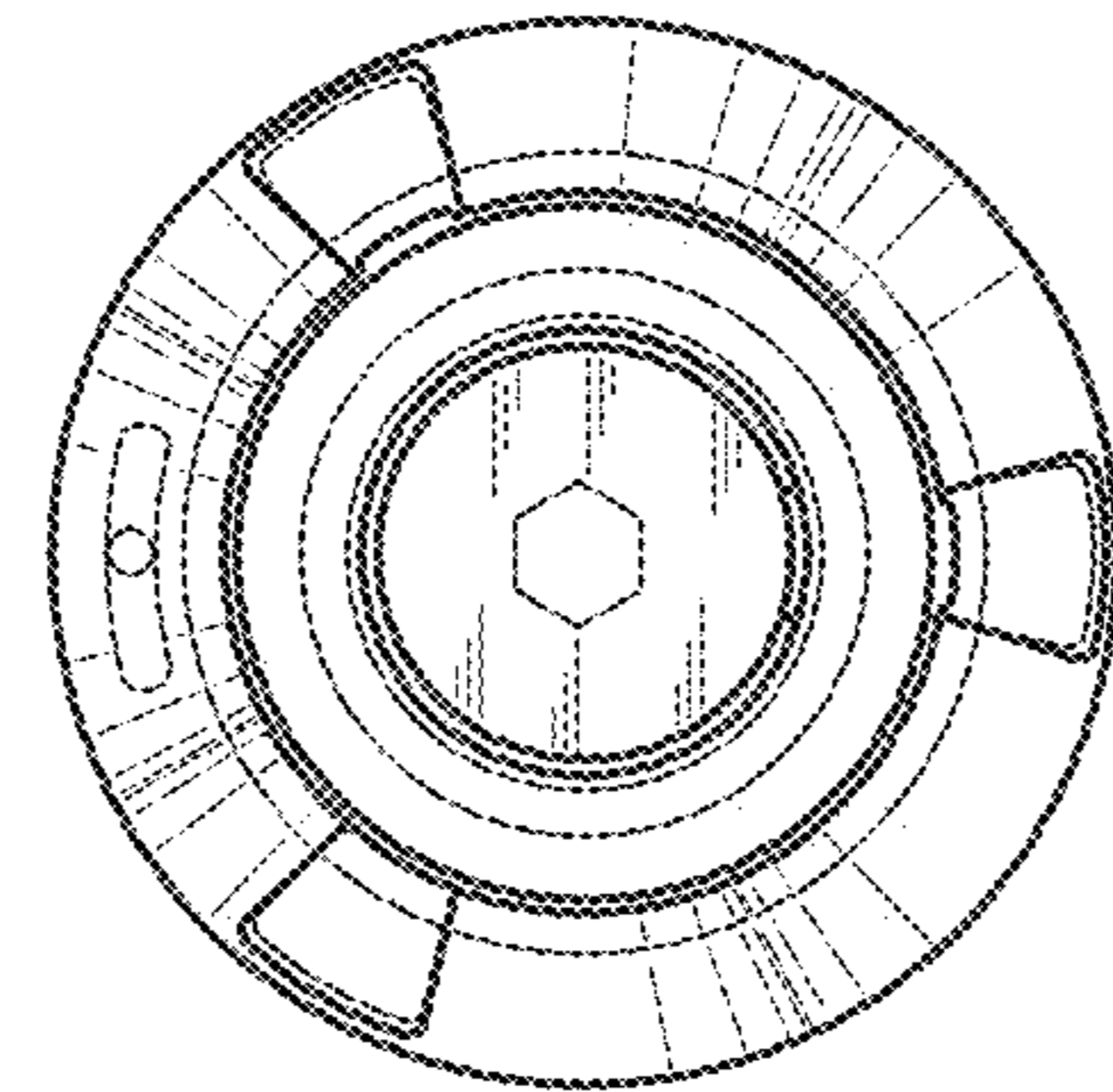


FIG. 13

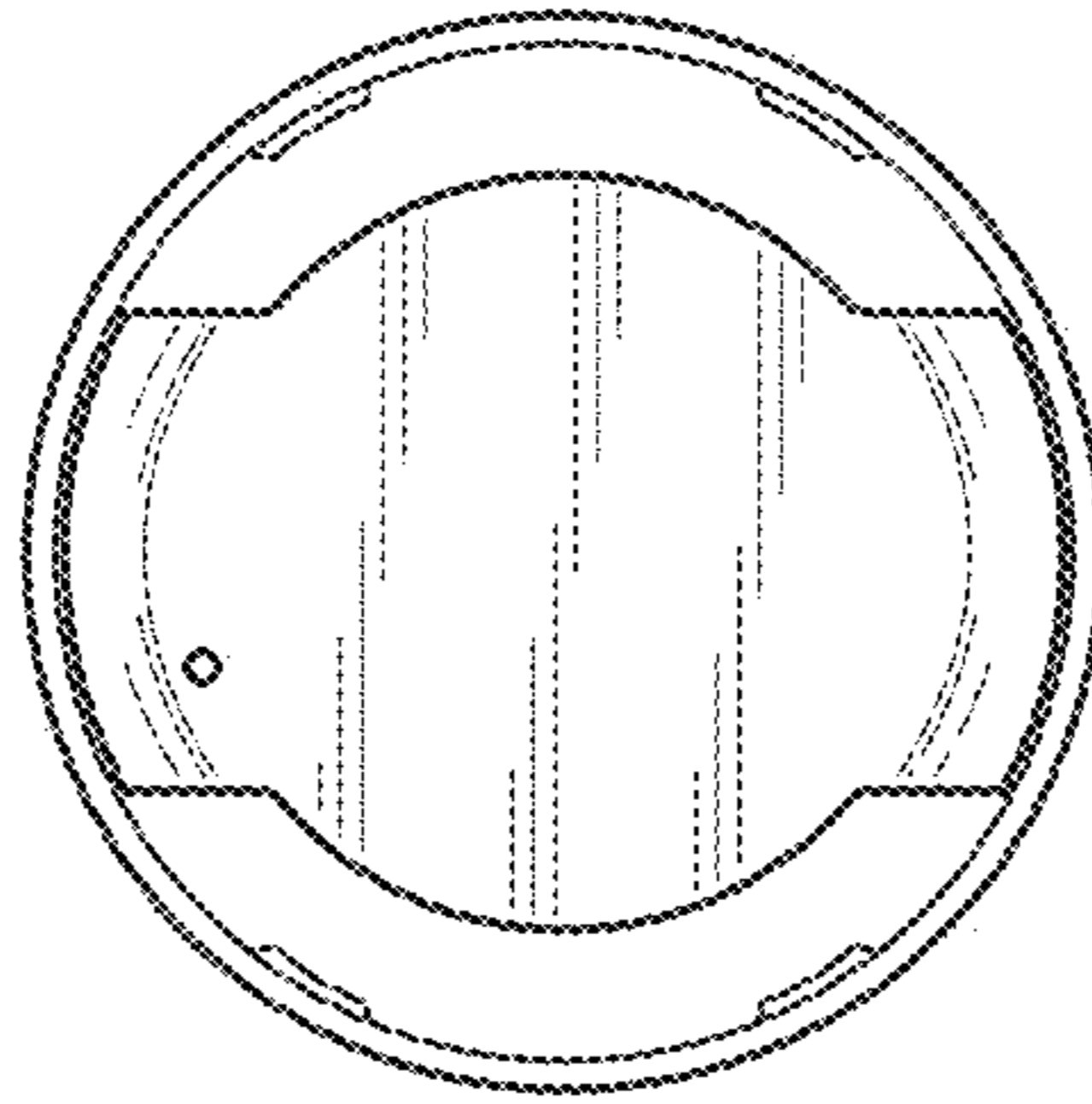


FIG. 14

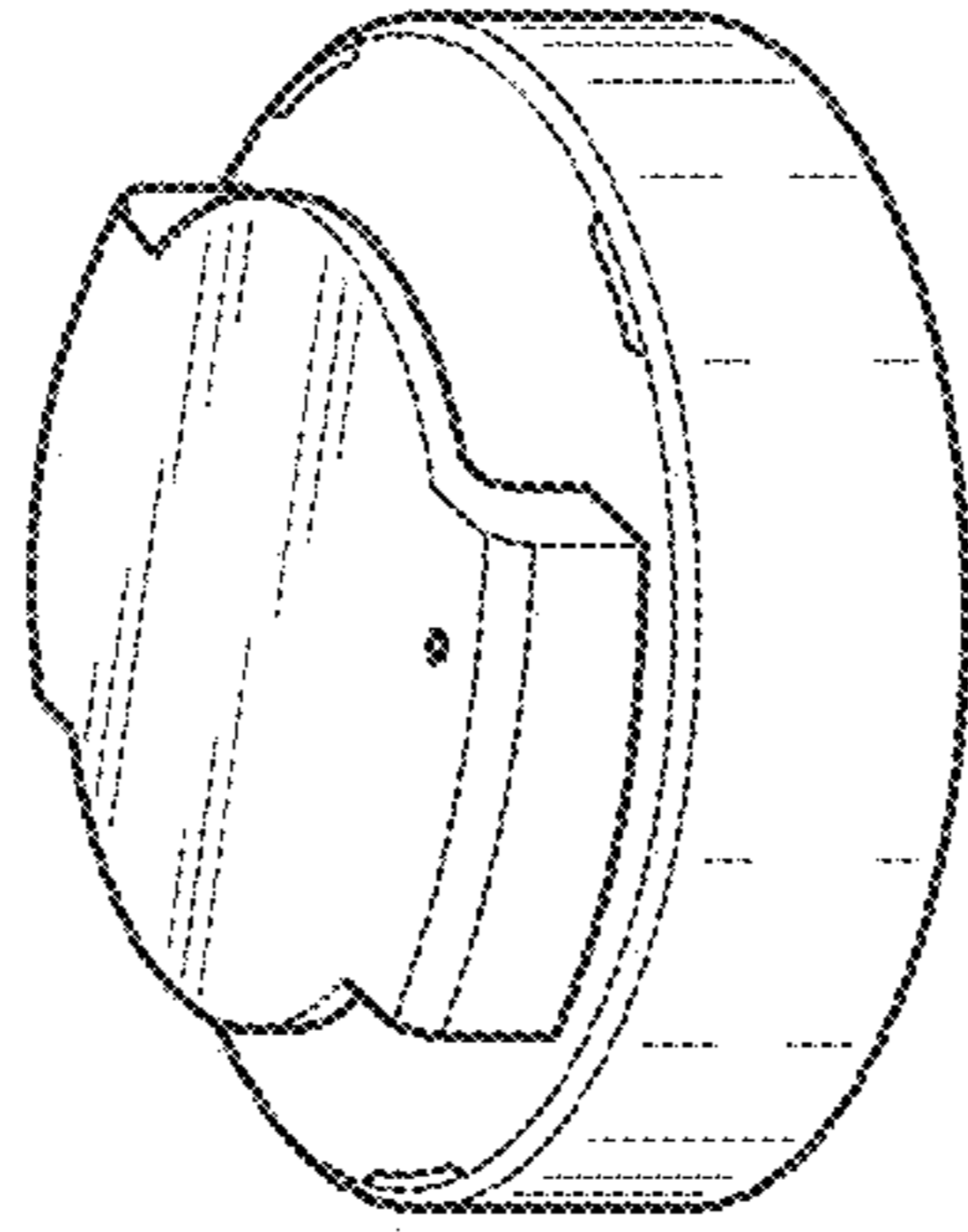


FIG. 15

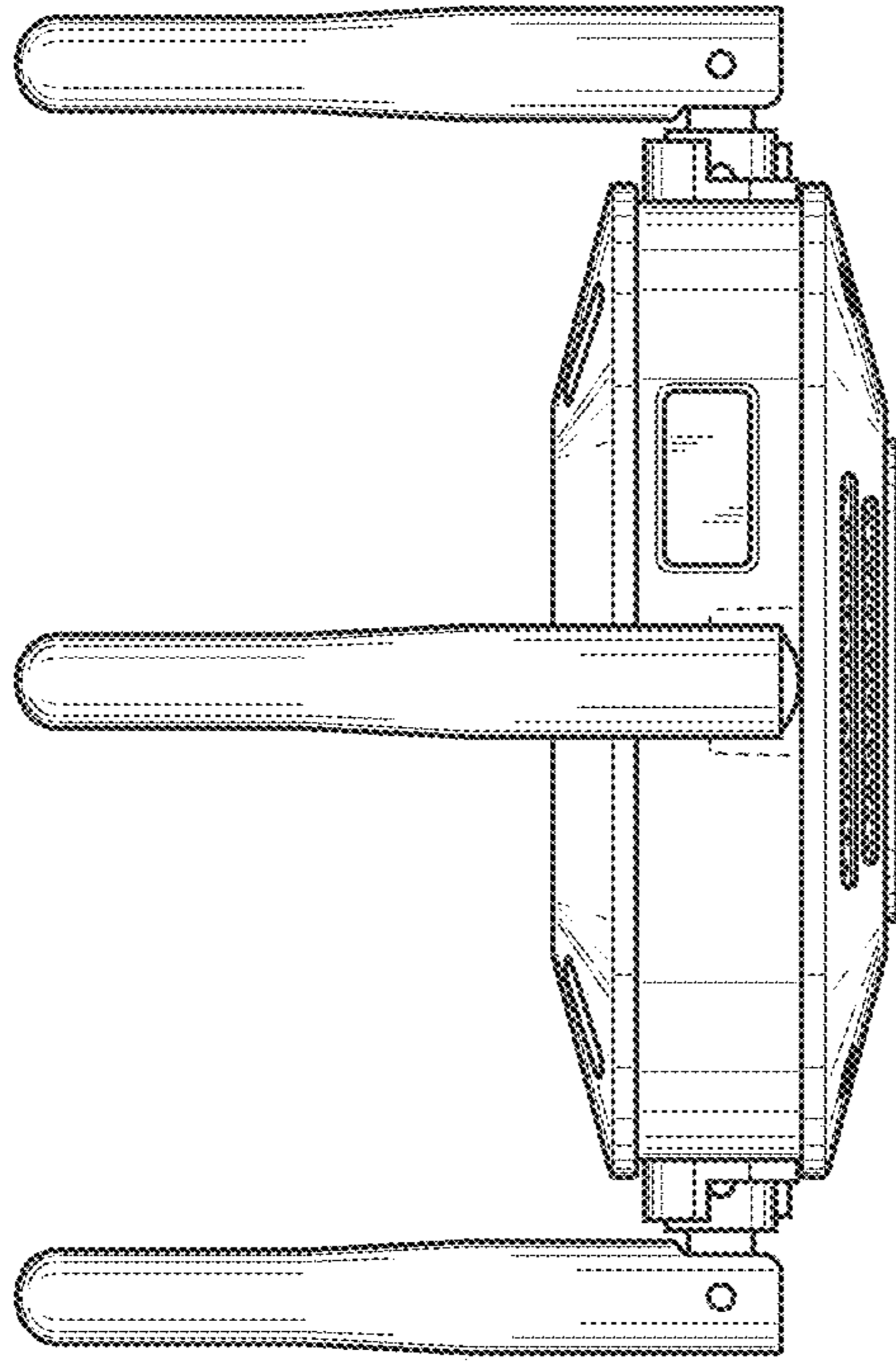


FIG. 17

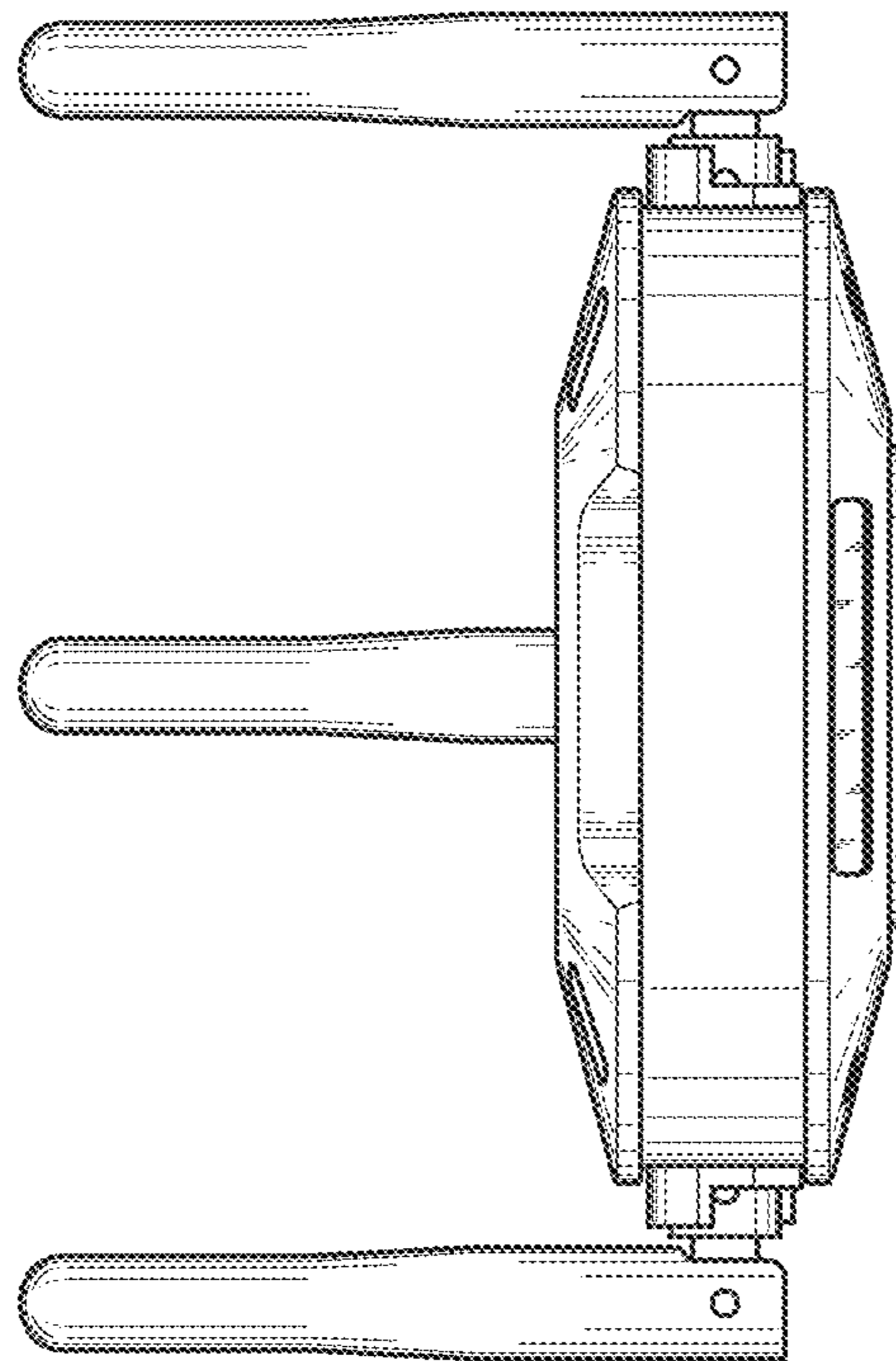


FIG. 16

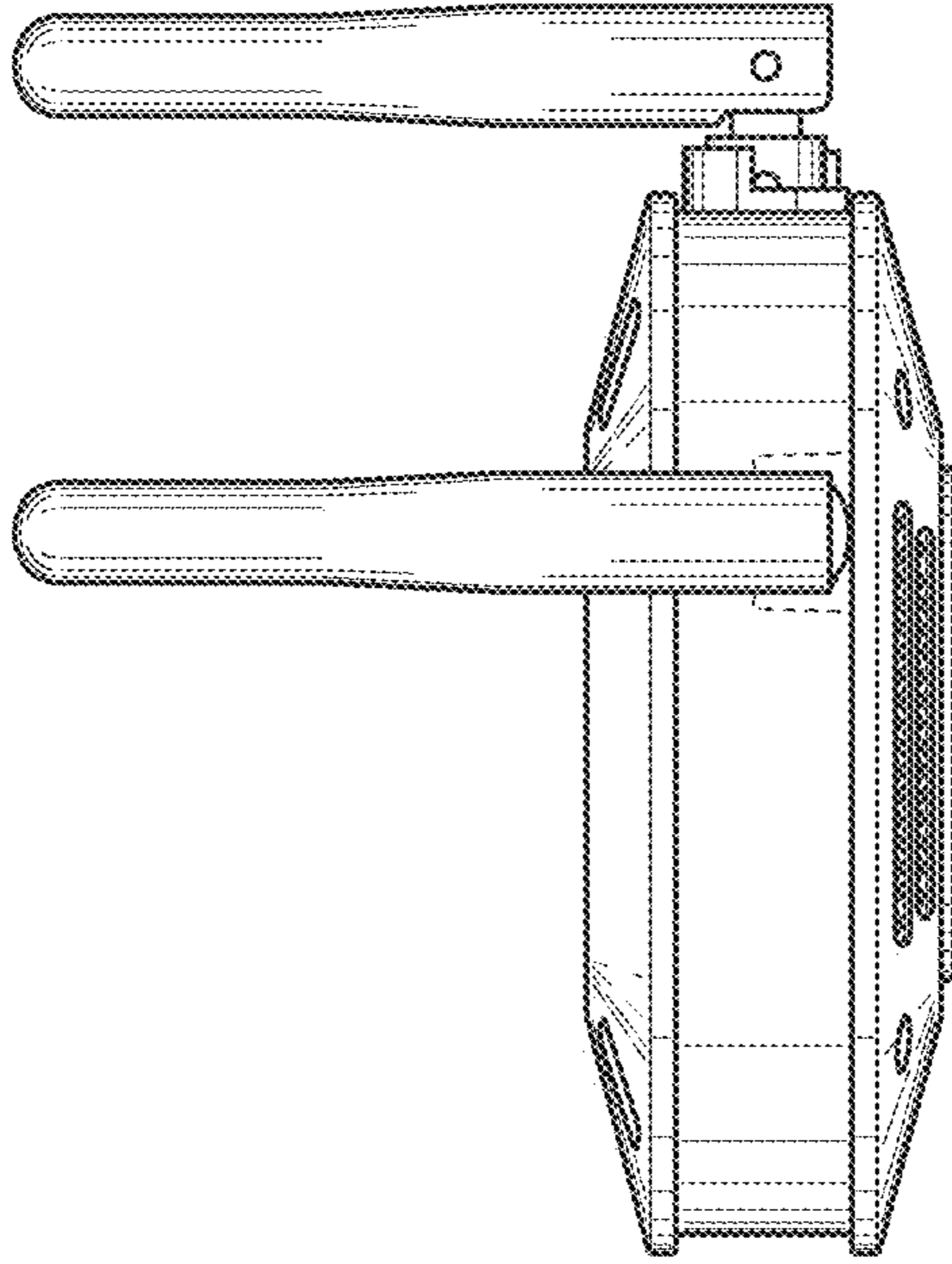


FIG. 19

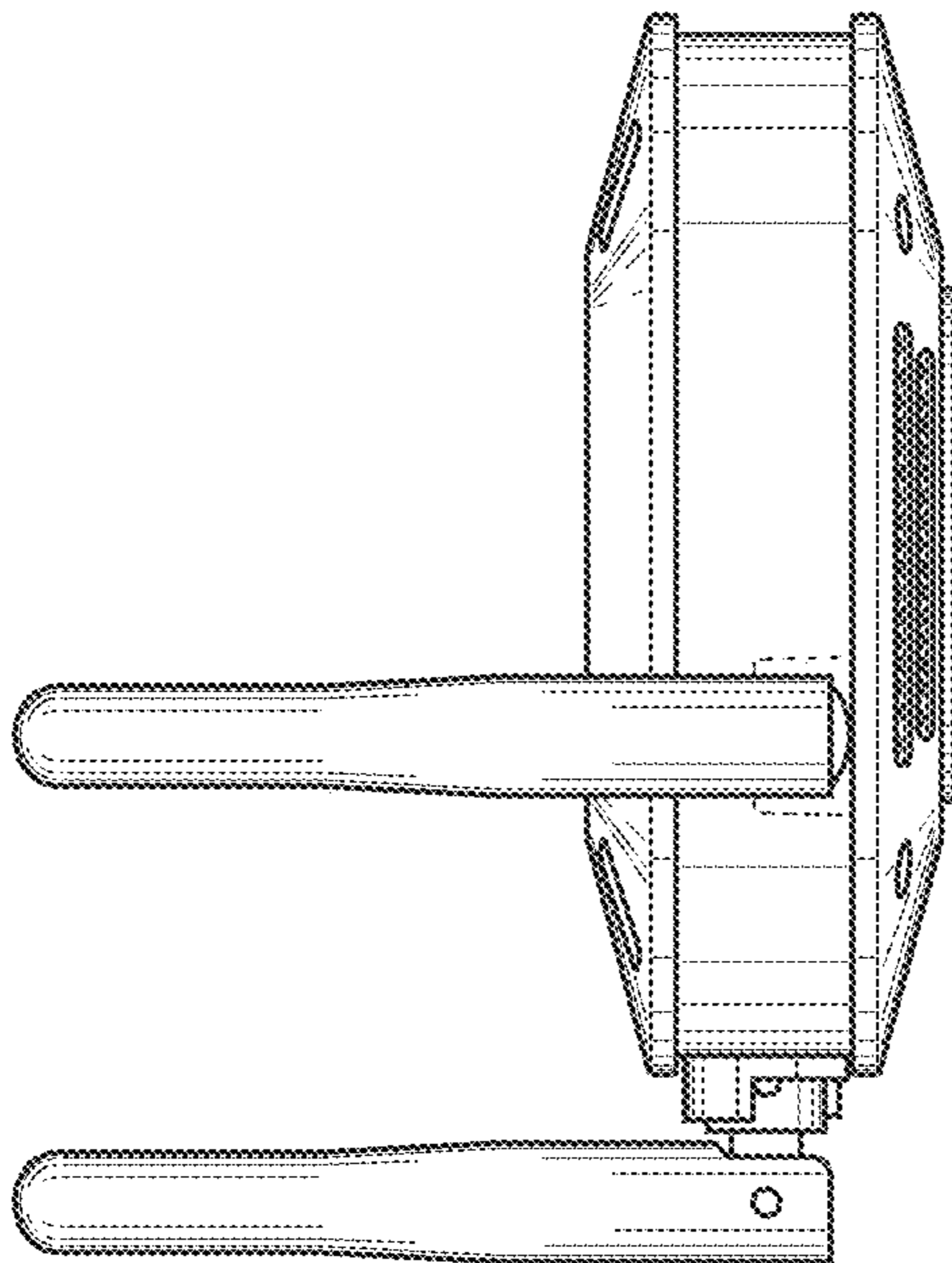


FIG. 18

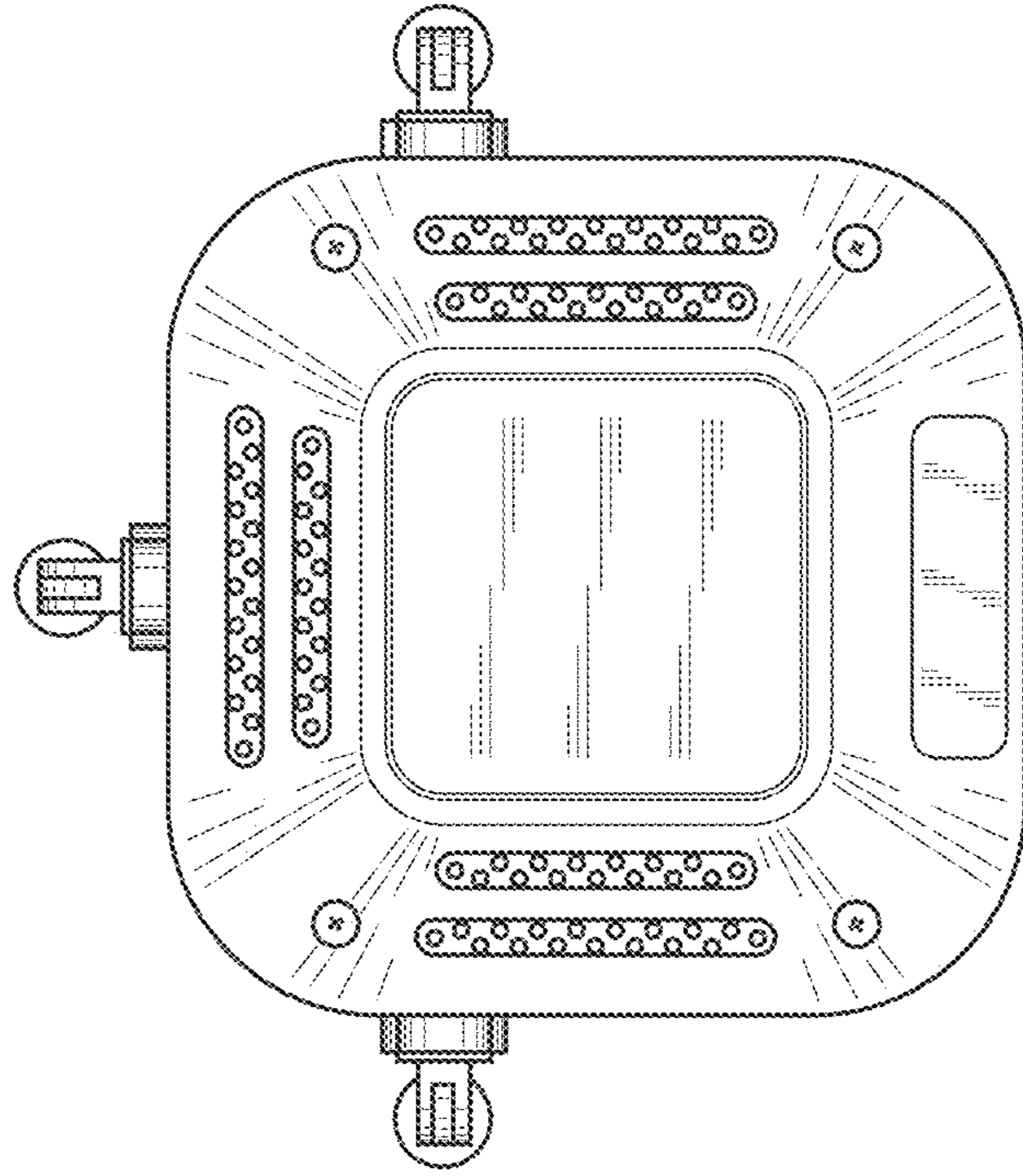


FIG. 21

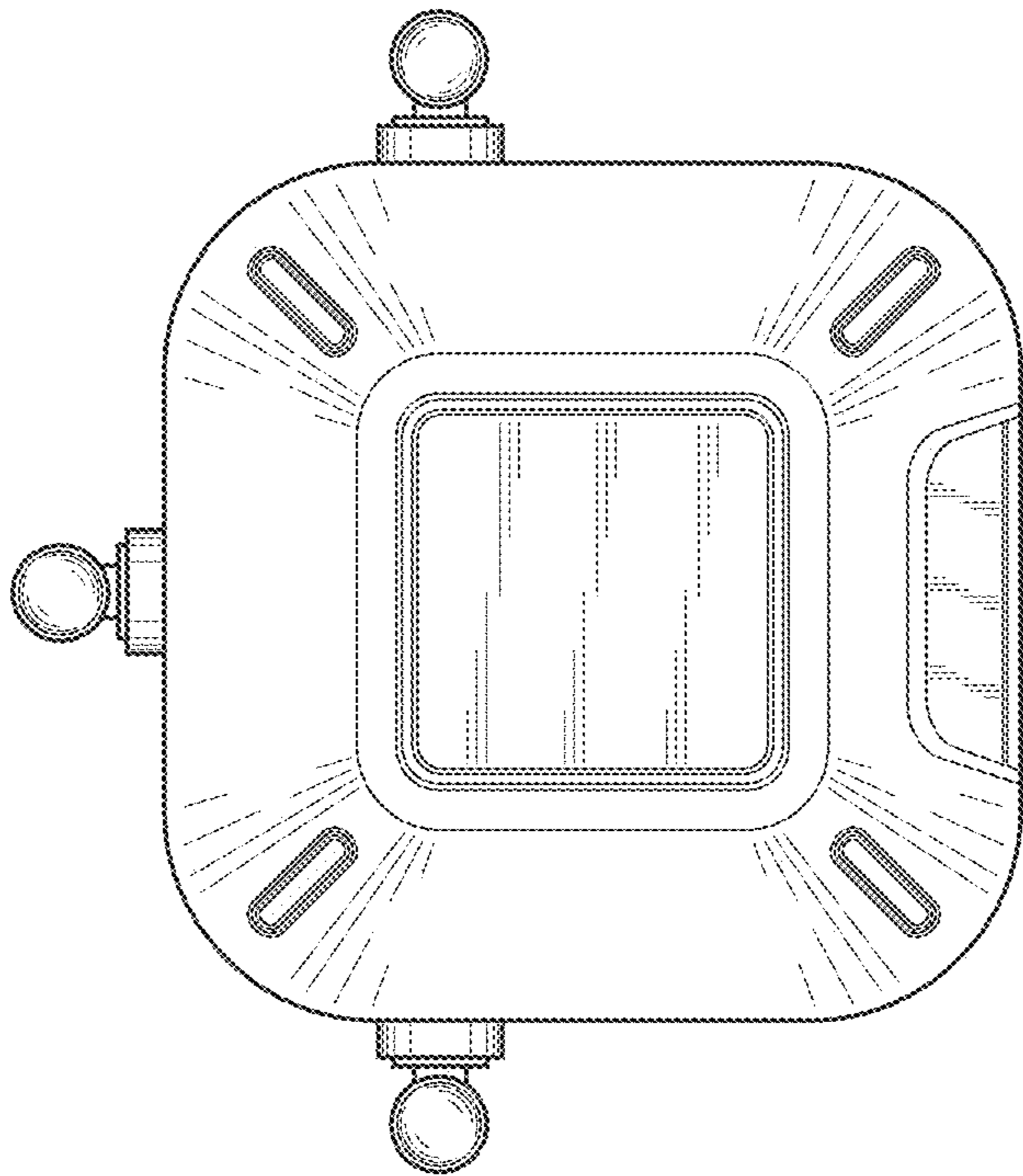


FIG. 20

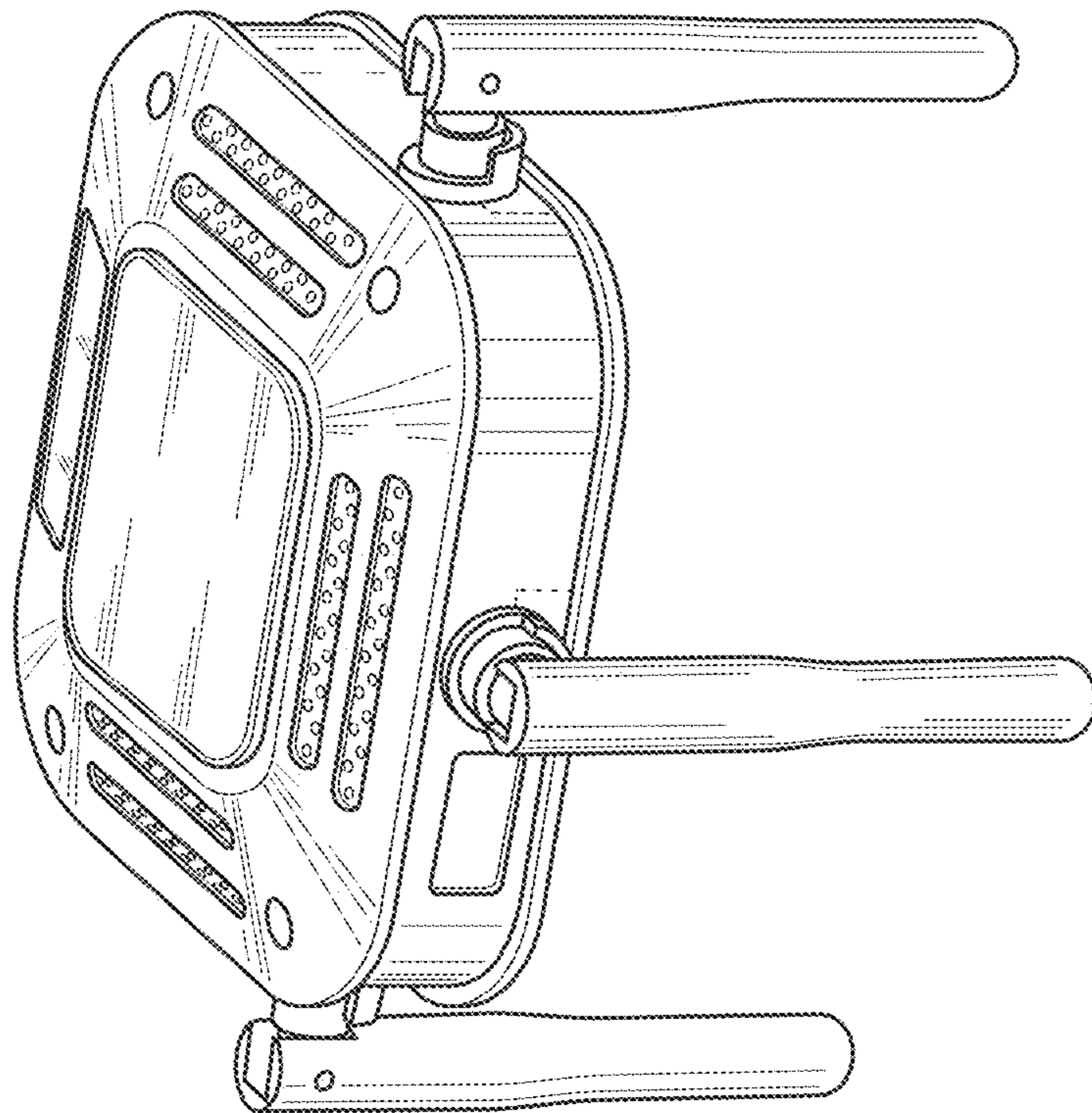


FIG. 22