



US00D945416S

(12) **United States Design Patent**
Reichert et al.

(10) **Patent No.:** **US D945,416 S**
(45) **Date of Patent:** **** Mar. 8, 2022**

(54) **MEDIA STREAMING ACCESSORY**

D542,280 S 5/2007 Taylor
D612,361 S 3/2010 Wright
D673,110 S 12/2012 Sasada et al.
(Continued)

(71) Applicant: **GOOGLE LLC**, Mountain View, CA (US)

(72) Inventors: **Stefan Reichert**, Mountain View, CA (US); **Henry A. Beyer**, San Francisco, CA (US); **Maj Isabelle Olsson**, Sunnyvale, CA (US); **Katherine Morgenroth**, Los Gatos, CA (US)

FOREIGN PATENT DOCUMENTS

JP 1407354 2/2011
JP 1584028 8/2017
(Continued)

(73) Assignee: **GOOGLE LLC**, Mountain View, CA (US)

OTHER PUBLICATIONS

Dish's AirTV launches an \$80 streaming stick, first available Jul. 15, 2019, techcrunch.com, [online], [site visited Oct. 6, 2021], Available from internet URL: <https://techcrunch.com/2019/07/15/dishs-airtv-launches-an-80-streaming-stick-for-accessing-sling-tv-netflix-broadcast-channels/> (Year: 2019).*

(Continued)

(**) Term: **15 Years**

Primary Examiner — Samantha Q Lawrence
Assistant Examiner — Holly M Rodriguez
(74) *Attorney, Agent, or Firm* — Leason Ellis LLP

(21) Appl. No.: **29/737,185**

(22) Filed: **Jun. 5, 2020**

(51) **LOC (13) Cl.** **14-02**

(52) **U.S. Cl.**
USPC **D14/356**

(58) **Field of Classification Search**
USPC ... D13/133, 154, 158, 162.1, 162, 168, 171, D13/184; D14/125-134, 155, 167-168, D14/188, 203.1, 203.3, 217-218, 238.1, D14/299, 356-358, 388, 400-401, 433, D14/435.1, 454, 480.1, 480.2, 480.3, D14/480.4, 496; D21/332; D9/432
CPC G06F 2212/2146; G06F 2213/0042; G06F 2213/3812; G06F 3/0658; H04N 5/64; H04N 5/66; H04N 5/655; H04N 7/00; H04N 7/04; H04N 5/38; H04N 1/0001; H04N 21/4122; H04N 21/418; H04N 9/3141; H04W 88/08; H04W 88/085; H04W 88/00; H04W 88/005

See application file for complete search history.

(57) **CLAIM**

The ornamental design for a media streaming accessory, as shown and described.

DESCRIPTION

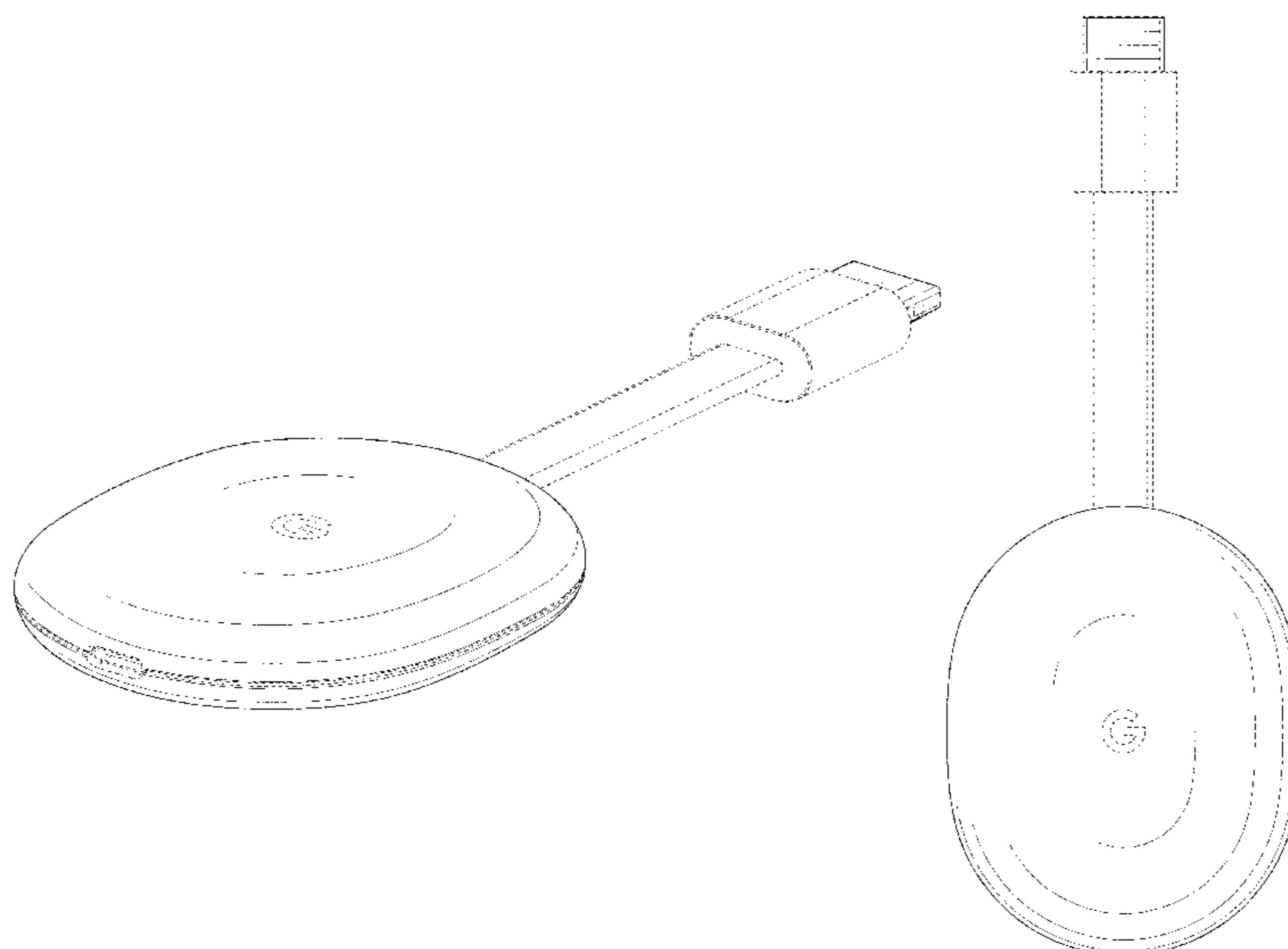
FIG. 1 is a front perspective view of a media streaming accessory showing our new design; FIG. 2 is a front elevational view thereof; FIG. 3 is a rear elevational view thereof; FIG. 4 is a left-side elevational view thereof; FIG. 5 is a right-side elevational view thereof; FIG. 6 is a top plan view thereof; and, FIG. 7 is a bottom plan view thereof. The broken lines illustrate portions of the media streaming accessory that forms no part of the claimed design.

(56) **References Cited**

U.S. PATENT DOCUMENTS

D514,122 S 1/2006 Rodarte
D521,983 S 5/2006 Kuo

1 Claim, 5 Drawing Sheets



(56)

References Cited

OTHER PUBLICATIONS

U.S. PATENT DOCUMENTS

D694,182 S 11/2013 Lee et al.
 D725,034 S 3/2015 Chen
 D735,131 S 7/2015 Akana et al.
 D744,974 S * 12/2015 Tang D14/203.1
 D772,813 S 11/2016 Wahl
 D775,233 S * 12/2016 Beck D14/496
 D776,162 S 1/2017 Beck et al.
 D781,919 S 3/2017 Beck et al.
 D782,485 S 3/2017 Cai
 D788,820 S * 6/2017 Beck D14/496
 D789,363 S * 6/2017 Jentz D14/388
 9,736,531 B2 8/2017 Collins et al.
 D797,149 S * 9/2017 Beck D14/496
 D797,807 S 9/2017 Mangum et al.
 D798,807 S 10/2017 Shi et al.
 D802,627 S 11/2017 Mangum et al.
 D804,531 S 12/2017 Beck et al.
 D804,532 S * 12/2017 Mangum D14/496
 D804,533 S 12/2017 Mangum et al.
 D817,919 S 5/2018 Fairless
 D820,318 S 6/2018 Mullins et al.
 D826,890 S 8/2018 Fairless
 D846,500 S 4/2019 Xu
 D850,367 S 6/2019 Xiong et al.
 D850,372 S 6/2019 Kong et al.
 D851,090 S 6/2019 Tak et al.
 D852,797 S 7/2019 Green et al.
 D853,982 S * 7/2019 Lu D14/155
 D859,363 S 9/2019 Chalabi et al.
 D859,364 S 9/2019 Chalabi et al.
 D862,417 S 10/2019 Chalabi
 D863,256 S 10/2019 Lindof
 D864,163 S 10/2019 Lindof
 D868,712 S * 12/2019 Scala D14/125
 D875,732 S 2/2020 Tak et al.
 D878,325 S 3/2020 Paterson et al.
 D881,162 S * 4/2020 Zhu D14/218
 D881,889 S * 4/2020 Wang D14/433
 D883,203 S 5/2020 Zheng
 D883,922 S 5/2020 Peters
 D888,687 S 6/2020 Xu et al.
 D892,121 S 8/2020 Tak
 10,752,361 B2 8/2020 Mutton et al.
 D896,764 S * 9/2020 Gutierrez D13/162
 D899,359 S 10/2020 Zhang et al.
 D900,027 S 10/2020 Reilly et al.
 D908,620 S 1/2021 Akana et al.
 D910,623 S * 2/2021 Cueto D14/358
 D913,222 S 3/2021 Albay et al.
 D917,390 S 4/2021 Tung
 D926,190 S 7/2021 Green et al.
 D928,160 S * 8/2021 Liao D14/433
 D928,727 S * 8/2021 Chen D13/162
 D930,652 S * 9/2021 Lo D14/433
 D934,295 S 10/2021 Olsson et al.
 D935,402 S 11/2021 Qiu et al.
 2017/0070262 A1 3/2017 Collins et al.
 2017/0070776 A1 3/2017 Collins et al.

FOREIGN PATENT DOCUMENTS

JP 1584342 8/2017
 JP 1584343 8/2017
 KR 300603693 6/2011
 KR 300701768 7/2013
 KR 300701786 7/2013
 KR 300940677 1/2017
 KR 3009054650001 5/2017
 KR 3009054650002 5/2017
 KR 3009054650003 5/2017
 KR 3009054650005 5/2017

Wireless HDMI Display Adapter, 4K Miracast Display, first available Jul. 1, 2020, amazon.com, [online], [site visited Oct. 6, 2021], Available from internet URL: https://www.amazon.com/Zebbyee-Miracast-Wireless-Mirroring-Projector/dp/B08C4Y72XD/ref=pd_sbs_34/133-6816081-7294344?pd_rd_w=khKAI&pf_rd_w=E2%80%A6 (Year: 2020).*

YEHUA Wireless HDMI Transmitter and Receiver Kits, first available Jun. 28, 2021, amazon.com, [online], [site visited Oct. 6, 2021], Available from internet URL: https://www.amazon.com/dp/B09837SRTP/ref=sspa_dk_detailL4?spLa=ZW5jcnlwdGVkUXVhbGlmaWVyPUExM01NR1k5QlowRTVPJmVuY3J5cHRIZ%80%A6 (Year: 2021).*

This is why Google's new Chromecast is unexpectedly colorful, first available Sep. 30, 2020, slashgear.com, [online], [site visited Oct. 6, 2021], Available from internet URL: <https://www.slashgear.com/why-new-google-chromecast-three-colors-sustainability-nest-ecosystem-30640551/> (Year: 2020).*

"HIVI", No. 5, vol. 34, (Apr. 16, 2016), p 102, 1 page.

"Rombica Catalogue 2018", p. 89, accessed via the internet on Jan. 10, 2020 [<https://www.yumpu.com/ed/document/read/61688355/rombica-catalog-2018>], 1 page.

Notification of Grant of Japanese Design Application No. 2019-024107, 5 pages.

Notification of Grant of Japanese Design Application No. 2019-024108, 5 pages.

Compact Size Reel-Type Lightning Cable 0.75 m Iradiusl radius Co., Ltd. Audio Digital Audio Devices L, Feb. 9, 2018, retrieved via the Internet URL <<http://www.radius.co.jp/products/al-amf41/>>, 4pages.

Japanese Office Action for Japanese Design Application No. 2019-024109, 4 pages with English translation, 2 pages.

Australian Examination Report No. 1 dated May 5, 2020 for Australian Patent Application No. 201913562, 5 pages.

Add Google Chromecast 3 Charcoal to your cart published on website <https://uae.sharafdg.com/product/google-t;chromecast-3-charcoal/> Sep. 19, 2018.

Refreshed Google Chromecast leaks with new look, Oct. 9 release published on website <https://mobilesyrup.com/2018/09/29/google-chromecast-leak-refresh-october-9/> Sep. 29, 2019.

Best Buy accidentally sells customer the new, unannounced Chromecast—The Verge published on website <https://www.theverge.com/2018/9/29/17917818/google-chromecast-third-gen-best-buy-accidental-leak>; Sep. 29, 2018.

Nickinson, Phil. Reviewed: Chromecast and Chromecast Audio for 2015.: androidcentral.Mobile Nations. Oct. 12, 2015. 11 pages. Retrieved from the Internet <<https://www.androidcentral.com/reviewed-chormecast-and-chromecast-audio=2015>>.

Tyson, Daniel "[Update: Images Made Private] New Android TV Dongle Passes Through the FCC with Google Logo, Assistant Enabled Remote and Oreo on Board." Ausdroid. Apr. 10, 2018, 4 pages. Retrieved on Apr. 30, 2018. Retrieved from the Internet <<https://ausdroid.net/2018/04/10/new-android-tv-dongle-passes-fcc-google-logo-assistant-enabled-remote-oreo-board/>>.

Notice of Grant for Japanese Patent Application No. 2019-024106, 3 pages.

"HIVI", No. 5, vol. 34, (Apr. 16, 2016), p. 102.

"rombica CATALOGUE 2018", p. 89.

Notice of Grant for Japanese Patent Application No. 2019-007085, 3 pages.

Arstechnica.com; Amadeo, Ron "Google's leaked TV Dongle Looks Like a Merger of Android TV and Chromecast" Jun. 3, 2020; via Internet URL < <https://arstechnica.com/gadgets/2020/06/googles-leaked-tv-dongle-looks-like-a-merger-of-android-tv-and-chromecast/>> 8 pages.

Taiwan Office Action and Search Report for Patent Application No. 109306818 dated Oct. 21, 2021, 8 pages, with translation.

* cited by examiner

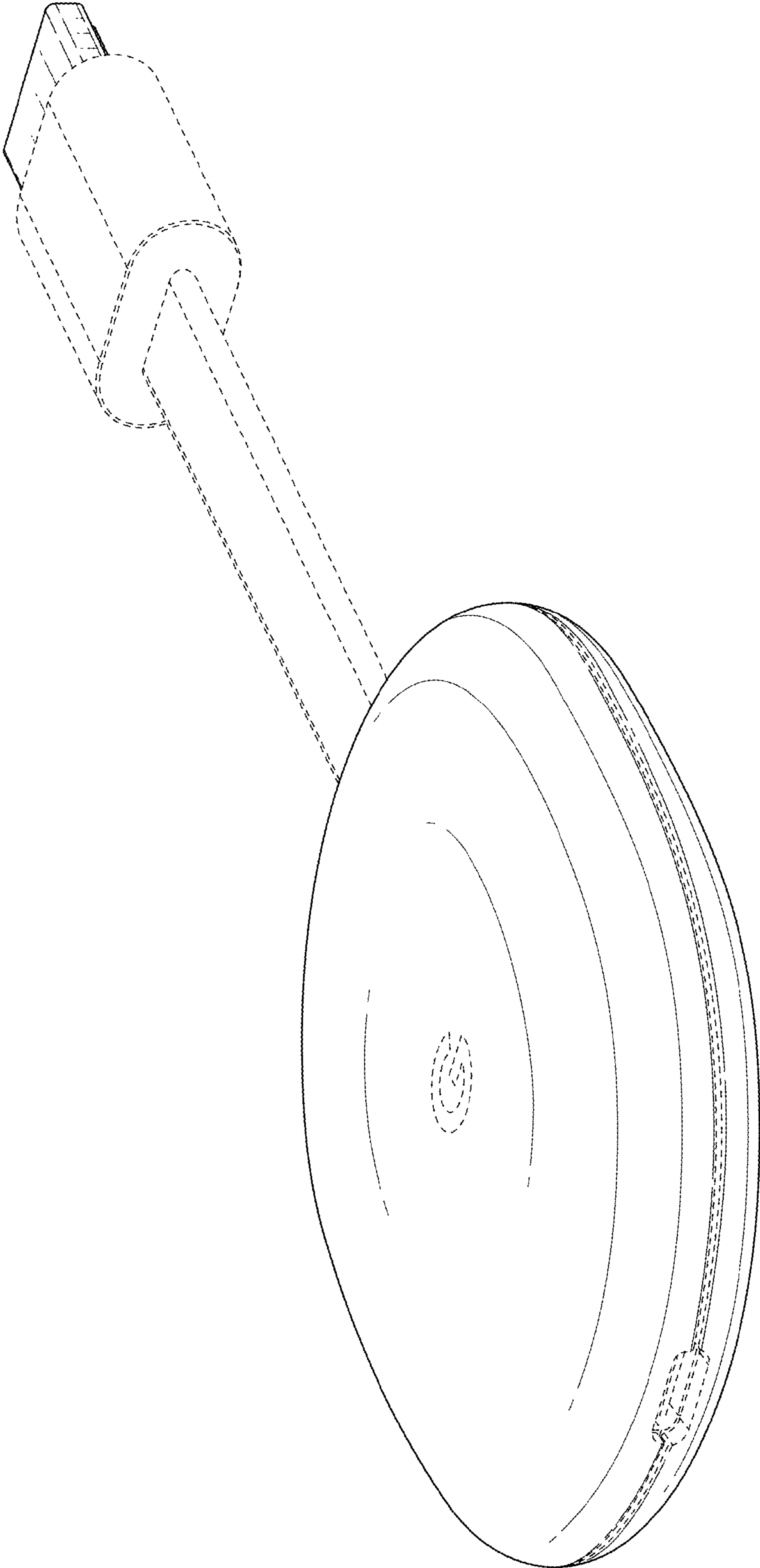


FIG. 1

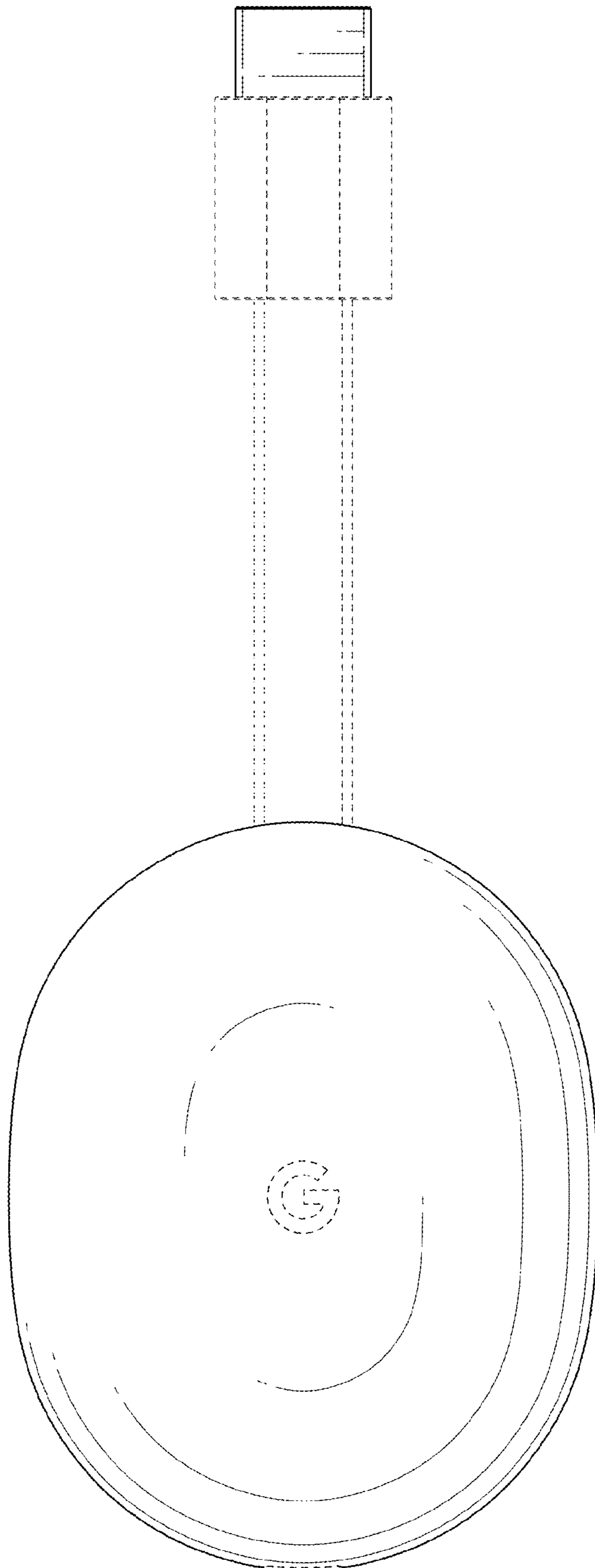


FIG. 2

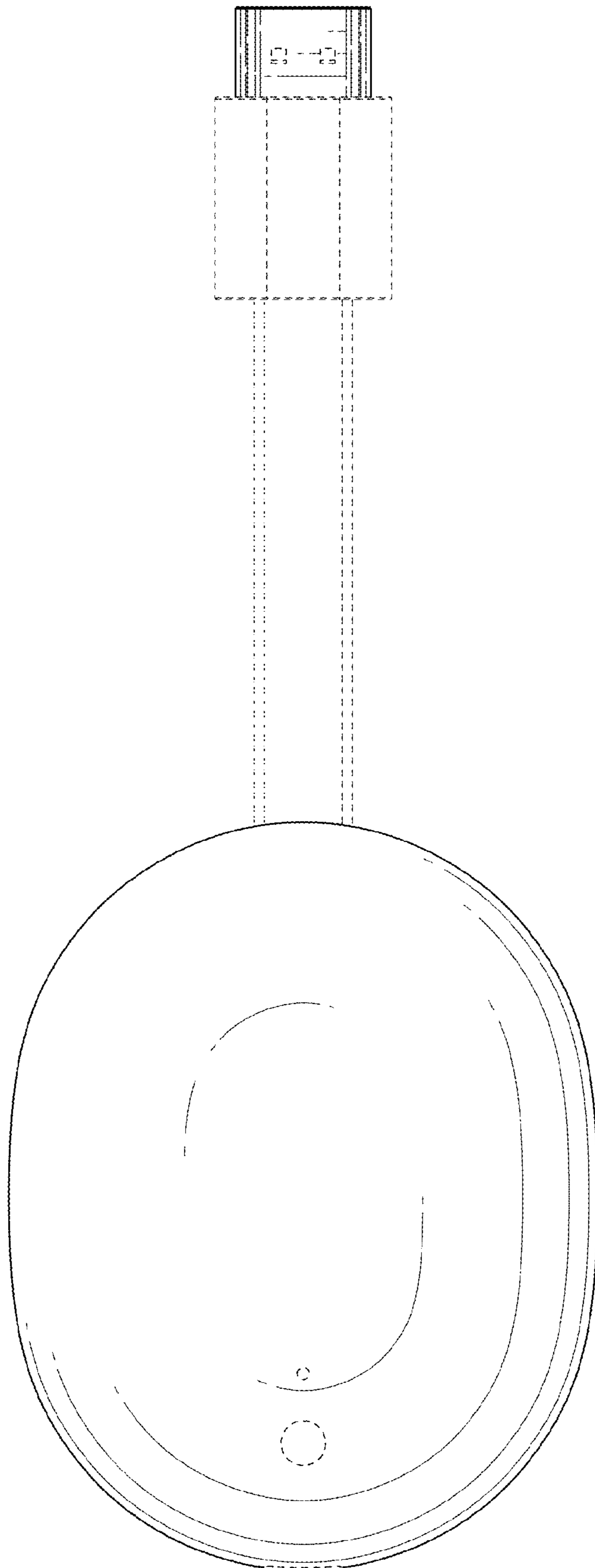


FIG. 3

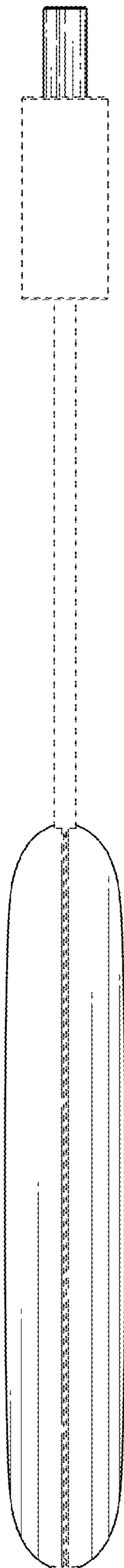


FIG. 4

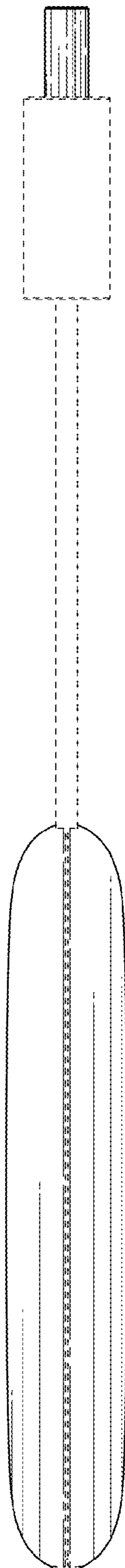


FIG. 5

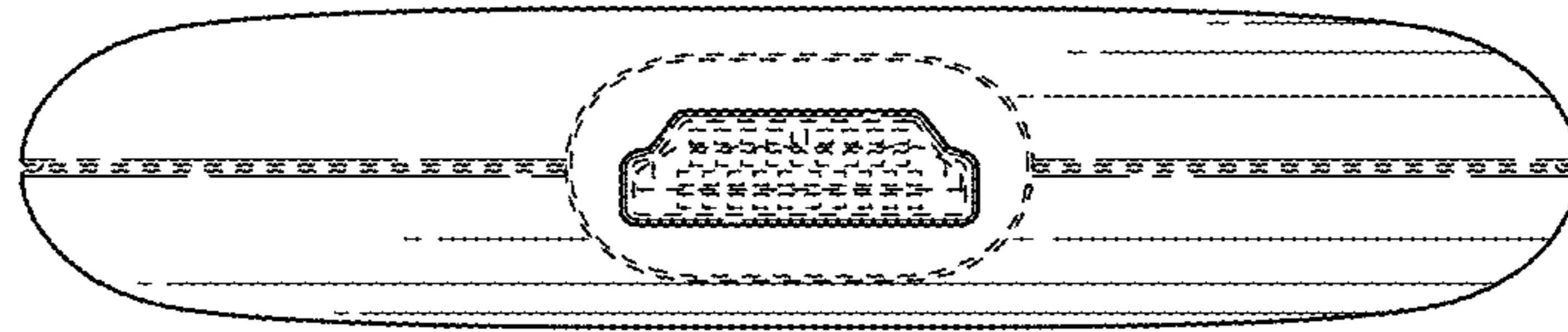


FIG. 6

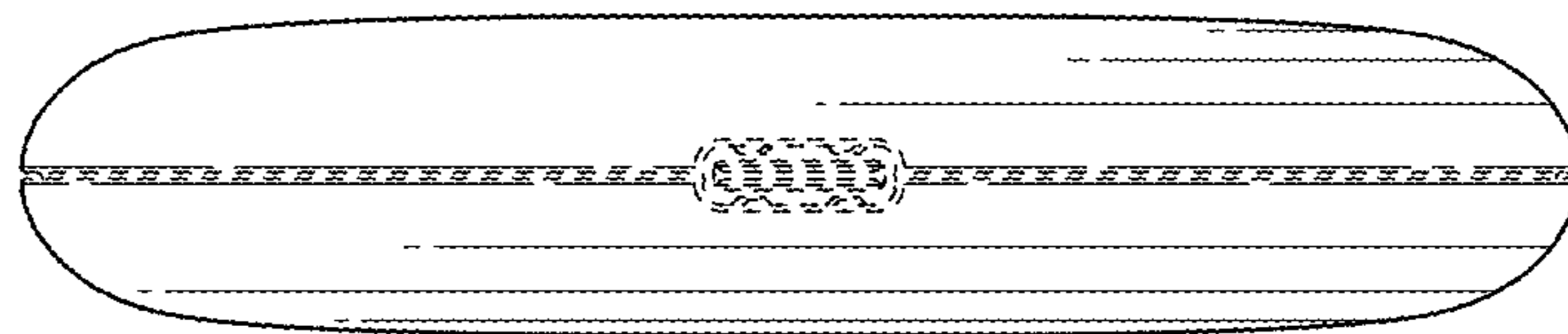


FIG. 7