



US00D945415S

(12) **United States Design Patent**
Chao et al.

(10) **Patent No.:** **US D945,415 S**
(45) **Date of Patent:** **** Mar. 8, 2022**

(54) **SMART WATCH**

(71) Applicants: **Zepp, Inc.**, Cupertino, CA (US); **Anhui Huami Information Technology Co., Ltd.**, Hefei (CN)

(72) Inventors: **Wei Po Chao**, Mountain View, CA (US); **Tao Huang**, Anhui (CN); **Xiaoyan Sun**, Anhui (CN)

(73) Assignees: **Zepp, Inc.**, Cupertino, CA (US); **Anhui Huami Information Technology Co., Ltd.**, Hefei (CN)

(**) Term: **15 Years**

(21) Appl. No.: **29/701,967**

(22) Filed: **Aug. 15, 2019**

(51) **LOC (13) Cl.** **14-02**

(52) **U.S. Cl.**
USPC **D14/344**

(58) **Field of Classification Search**
USPC D14/300, 358, 388, 485-495, 432-343, D14/357, 344, 140, 496, 401, 435, 474, D14/483, 209.1, 137, 138, 158-160, 168, D14/356, 203.1-203.8, 507, 155, D14/160-172, 212-218, 258, 341, 346, D14/266, 454, 445, 192, 221, 127-130,
(Continued)

(56) **References Cited**

U.S. PATENT DOCUMENTS

D752,583 S * 3/2016 Solomon D14/344
D815,090 S * 4/2018 Chan D14/344
(Continued)

FOREIGN PATENT DOCUMENTS

CN 201830754500.3 * 6/2019 10/4

OTHER PUBLICATIONS

Zepp Z smartwatch review: Premium hardware, advanced health tracking, and GPS, first available Nov. 17, 2020, zdnet.com, [online], [site visited Aug. 12, 2021], Available from internet URL: https://www.zdnet.com/product/zepp-z-smartwatch/ (Year: 2020).*

Primary Examiner — Samantha Q Lawrence

Assistant Examiner — Holly M Rodriguez

(74) *Attorney, Agent, or Firm* — Young Basile Hanlon & MacFarlane, P.C.

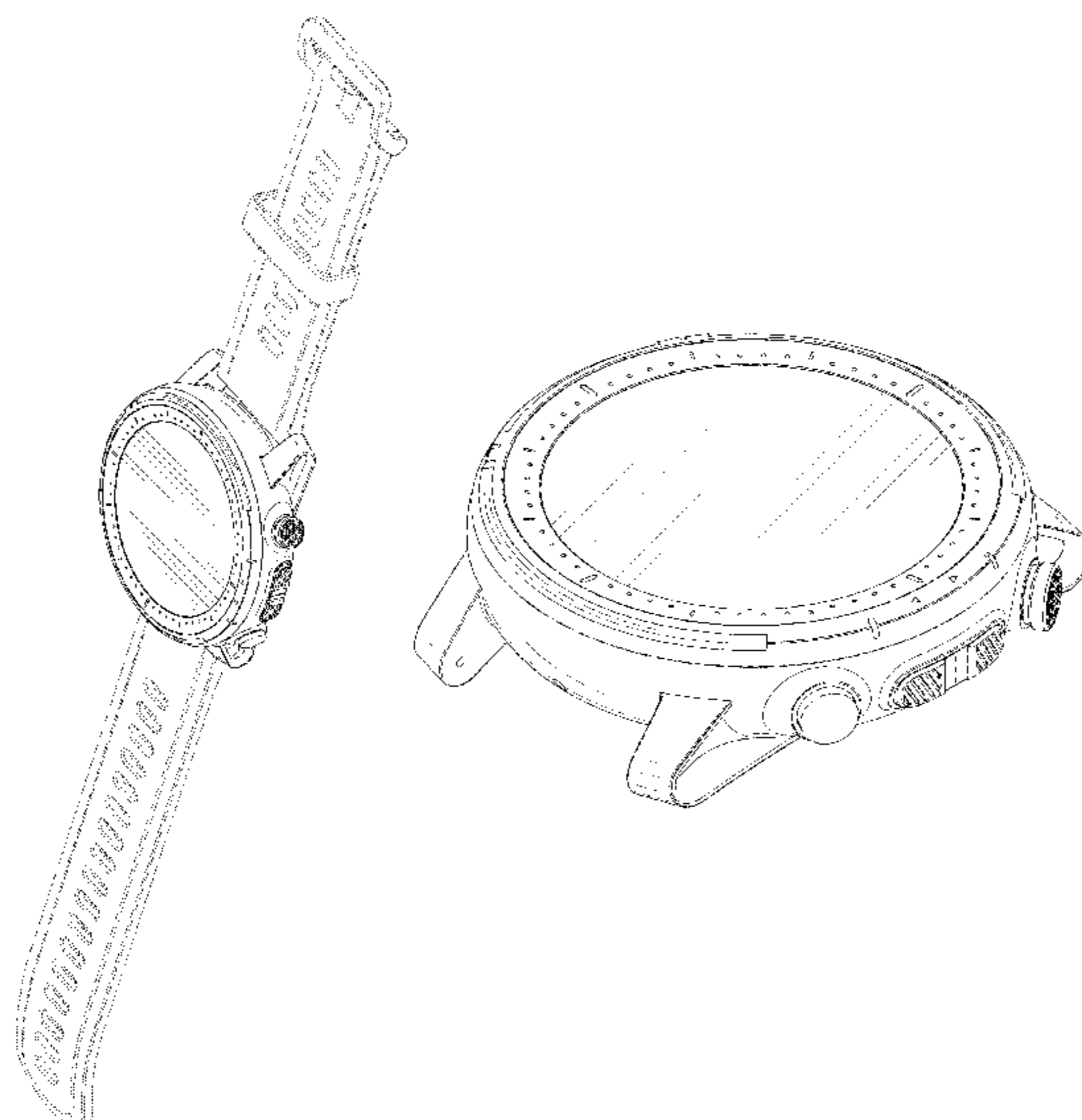
(57) **CLAIM**

The ornamental design for a smart watch, as shown and described.

DESCRIPTION

FIG. 1 is a top, front, and right perspective view of a first embodiment of the smart watch showing our new design. FIG. 2 is a front view of the smart watch of FIG. 1. FIG. 3 is a rear view of the smart watch of FIG. 1. FIG. 4 is a left side view of the smart watch of FIG. 1. FIG. 5 is a right side view of the smart watch of FIG. 1. FIG. 6 is a top view of the smart watch of FIG. 1. FIG. 7 is a bottom view of the smart watch of FIG. 1. FIG. 8 is a bottom, front, and right perspective view of a second embodiment of the smart watch. FIG. 9 is a rear view of the smart watch of FIG. 8. FIG. 10 is a front view of the smart watch of FIG. 8. FIG. 11 is a top view of the smart watch of FIG. 8. FIG. 12 is a bottom view of the smart watch of FIG. 8. FIG. 13 is a left side view of the smart watch of FIG. 8; and, FIG. 14 is a right side view of the smart watch of FIG. 8. The ornamental design which is claimed is shown in solid lines in the drawings. The broken lines illustrate portions of the smart watch that forms no part of the claimed design. The shade lines in the figures show contour and not surface ornamentation.

1 Claim, 8 Drawing Sheets



(58) **Field of Classification Search**

USPC D14/211, 240, 243, 247-249, 251, 257,
 D14/299, 329, 455, 206, 204, 188,
 D14/147-151, 144, 142, 141.1, 138 R,
 D14/138 AA, 138 AB, 138 G, 138 AD;
 D10/30-39, 40, 41, 46, 70, 79, 98, 106.5,
 D10/106.6, 106.92, 106.94, 114.6, 123,
 D10/125-128, 131; D11/1-5, 26, 40-41,
 D11/93, 94, 78.1, 79, 86, 12, 19, 25;
 D24/167-169, 186-187, 164, 165, 185;
 D21/324-329, 517, 333, 331, 566;
 D13/168; D30/151-152; D3/215, 218,
 D3/904; D18/1, 7
 CPC A41D 1/002; A41D 19/0034; G06F 1/08;
 G06F 1/10; G06F 1/14; G06F 1/1626;
 G06F 1/1628; G06F 1/163; G06F 1/1635;
 G06F 1/3203; G06F 1/1613; G06F
 2200/1633; G06F 3/0488; G06F 3/04886;
 G06F 3/044; G06F 3/0412; G06F 3/0416;
 G06F 1/3215; G06F 2203/04102; G06Q
 20/10; G06Q 20/12; G06Q 20/108; G06Q
 20/145; H04B 1/3833; H04B 1/385;
 H04B 1/3888; H04M 1/02; H04M 1/03;
 H04M 1/04; H04M 1/05; H04M 1/667;
 H04M 1/6058; H04M 1/00; H04M 1/026;
 H04M 1/6033; H04M 1/6041; H04M
 3/02; H04M 3/005; H04M 3/56; H04M
 3/564; H04M 3/568; H04M 9/02; H04M

9/022; H04M 9/08; H04M 1/003; H04M
 1/0202; H04M 1/0295; H04M 1/0297;
 H04M 1/20; H04M 1/21; H04M 1/22;
 H04M 1/23; H04M 1/233; H04M 1/236;
 H04M 1/0289; H04M 1/0214; H04M
 1/253; H04M 1/2535; H04M 7/006;
 Y02B 60/1217; A44C 5/0007; A44C
 5/0015; A44C 5/0023; A44C 5/0084;
 H04R 1/00; H04R 1/02; H04R 1/403;
 H04R 1/406; H04N 7/14; H04N 7/142;
 H04N 7/147; A63H 33/30; A63H 33/3016

See application file for complete search history.

(56)

References Cited

U.S. PATENT DOCUMENTS

D836,101	S *	12/2018	Bang	D14/344
D893,474	S *	8/2020	Chung	D14/344
D894,179	S *	8/2020	Chung	D14/344
D913,118	S *	3/2021	Moilanen	D10/38
D915,399	S *	4/2021	Chao	D14/344
D918,059	S *	5/2021	Wang	D10/32
D920,971	S *	6/2021	Park	D14/344
D923,004	S *	6/2021	Gao	D14/344
D925,524	S *	7/2021	Okamura	D14/344
2019/0067803	A1 *	2/2019	Kang	H01Q 9/42
2020/0117342	A1 *	4/2020	Jatram	H04W 4/80
2020/0233381	A1 *	7/2020	Yang	A61B 5/25
2020/0401087	A1 *	12/2020	Mun	G04G 17/08

* cited by examiner

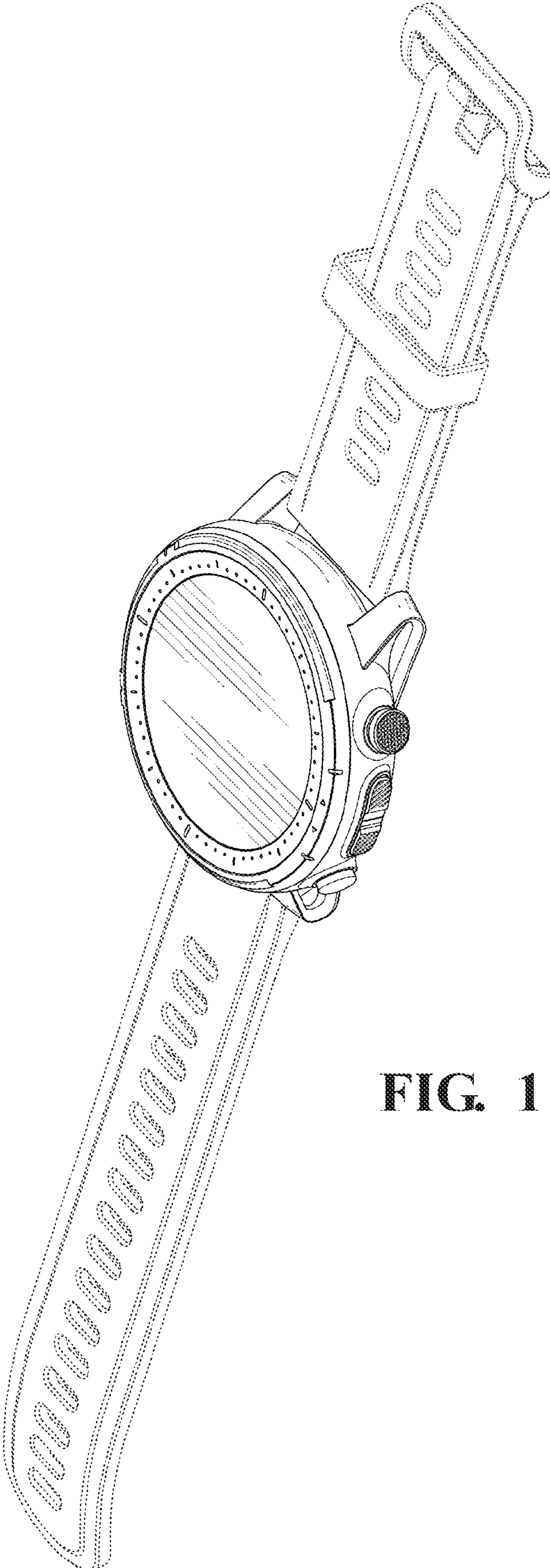


FIG. 1

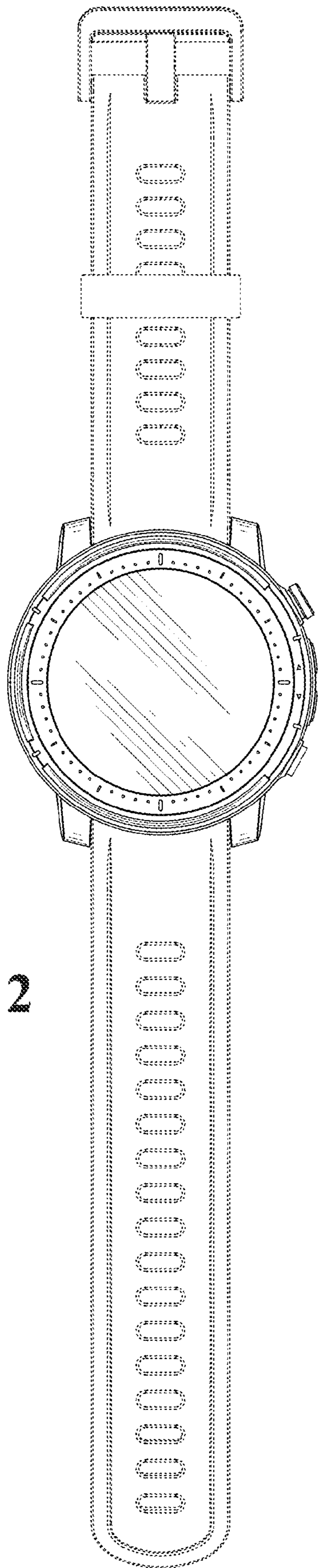


FIG. 2

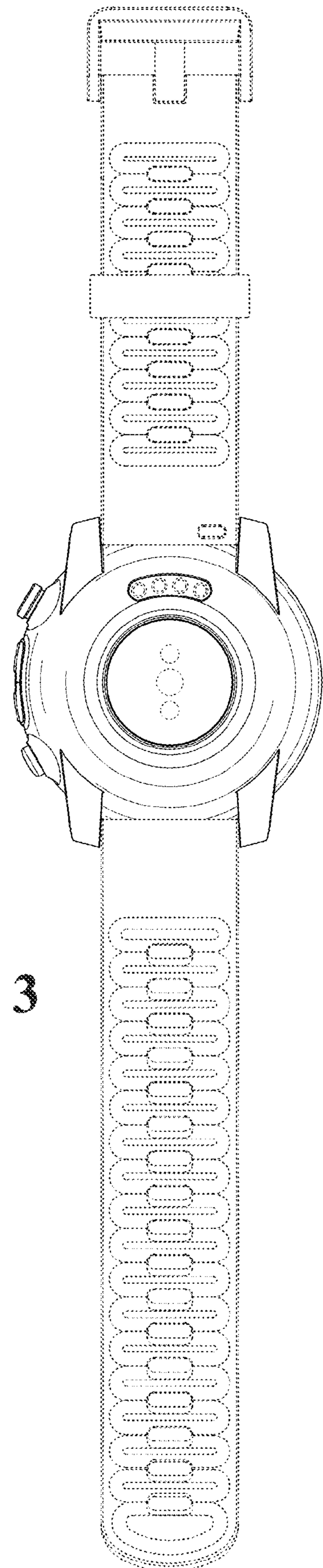


FIG. 3

FIG. 4

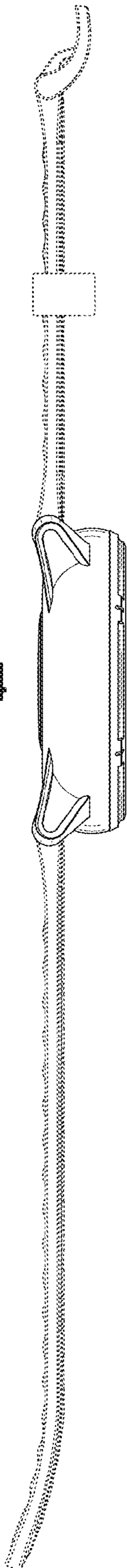
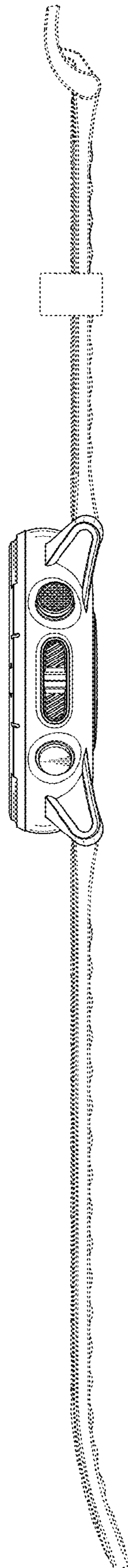


FIG. 5



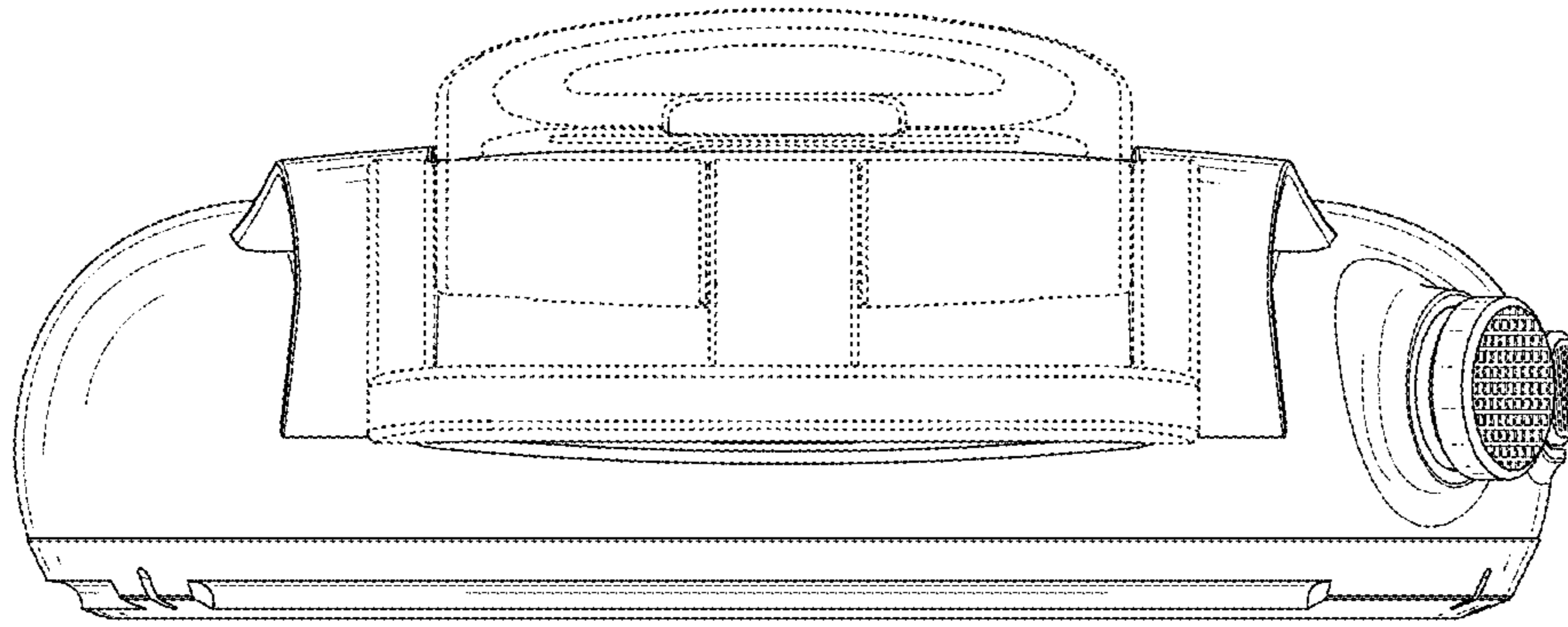


FIG. 6

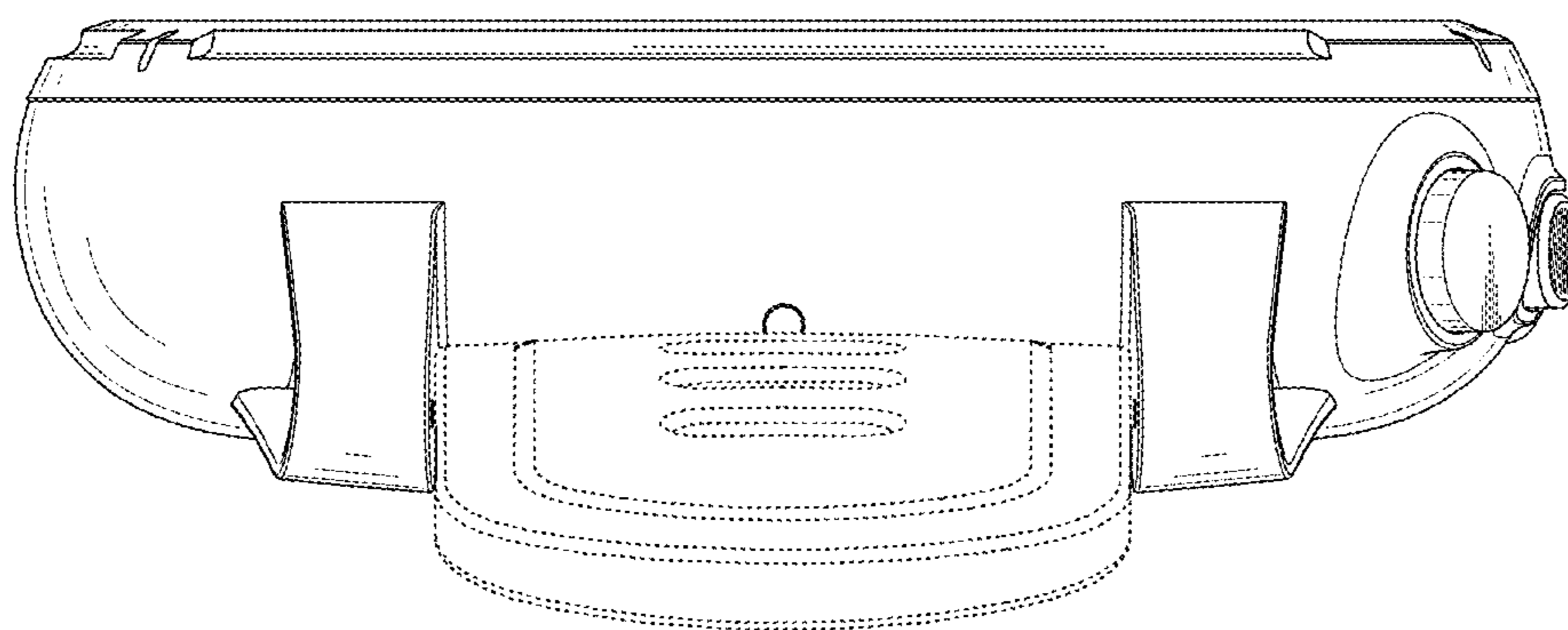


FIG. 7

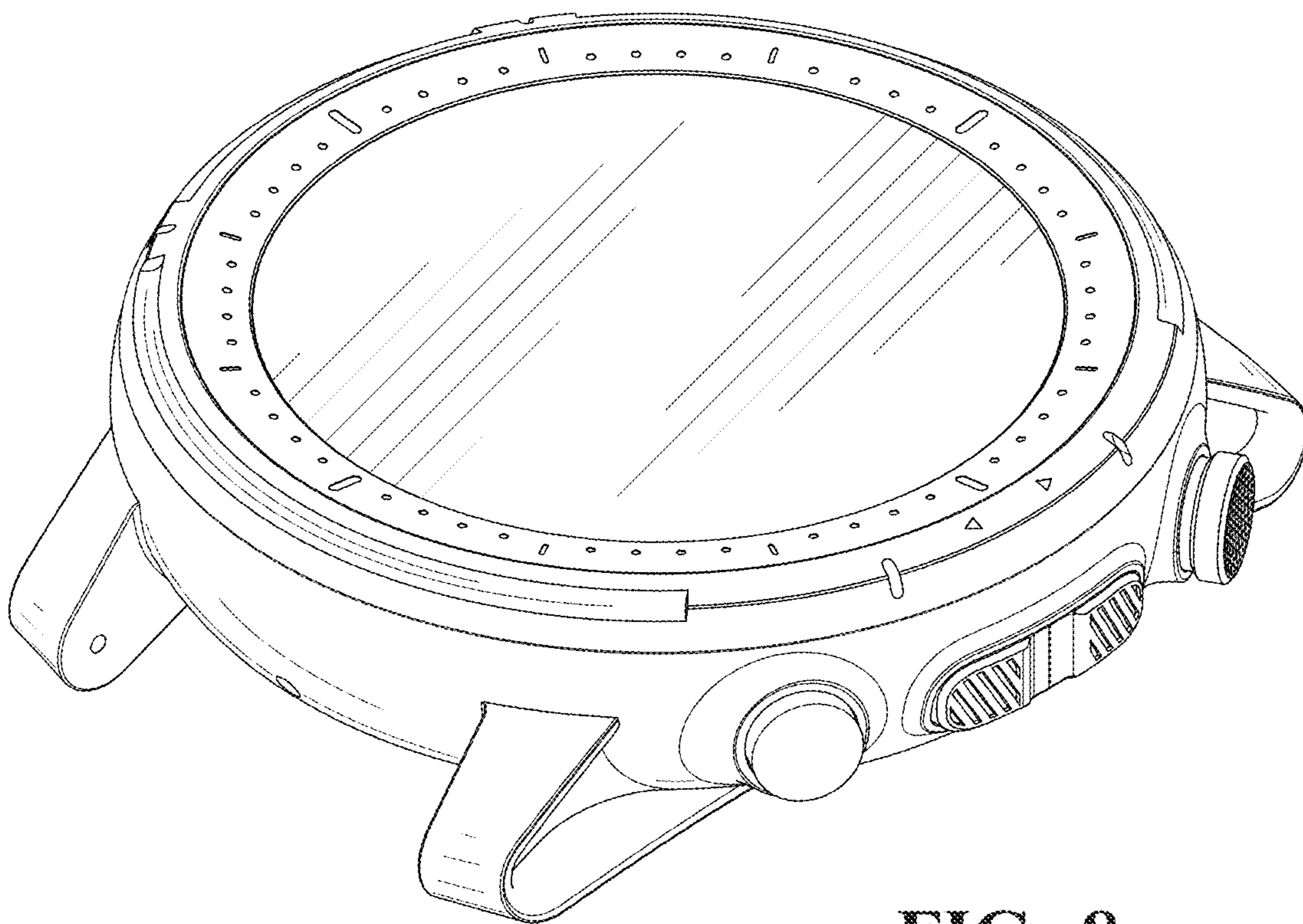


FIG. 8

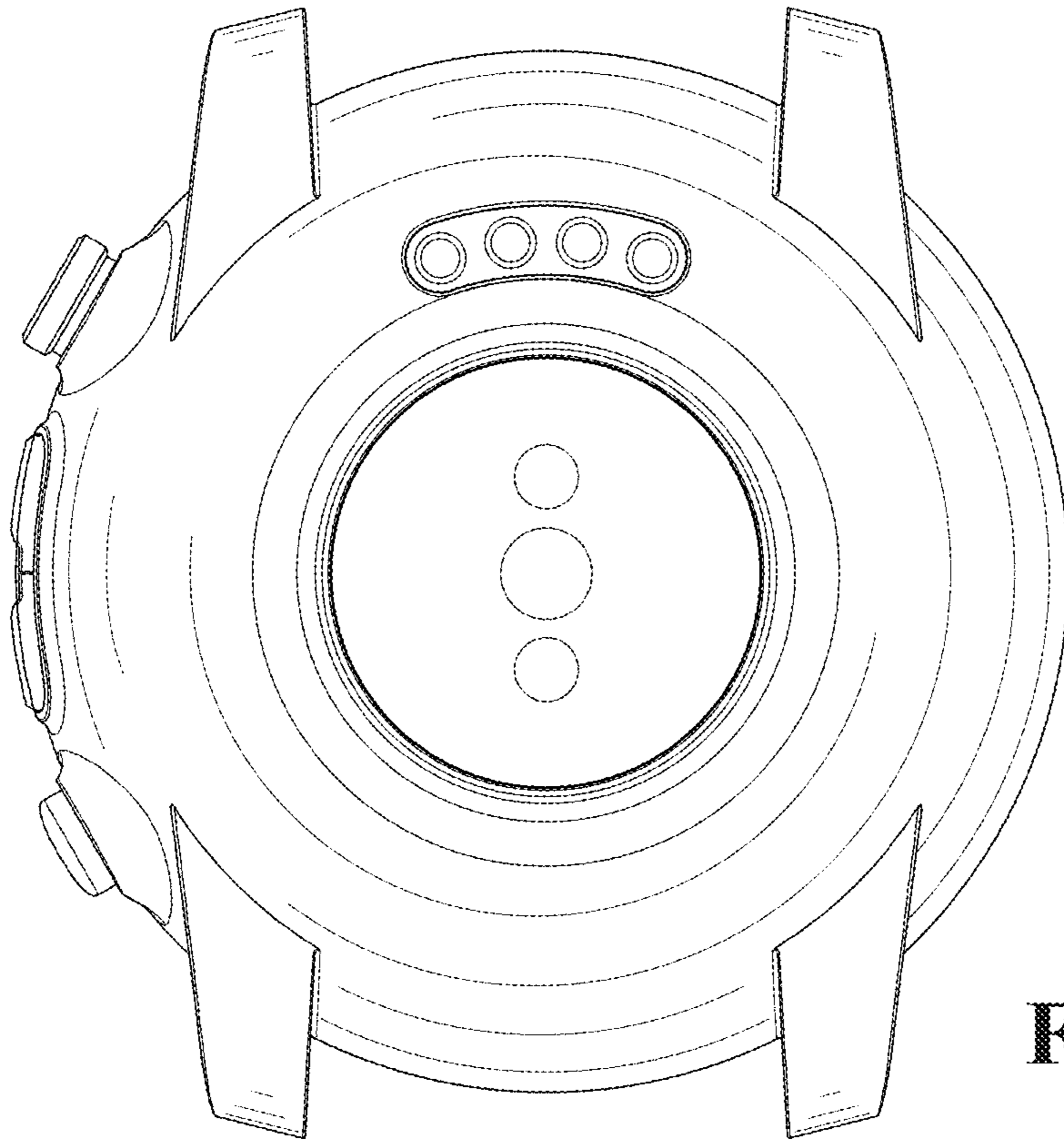


FIG. 9

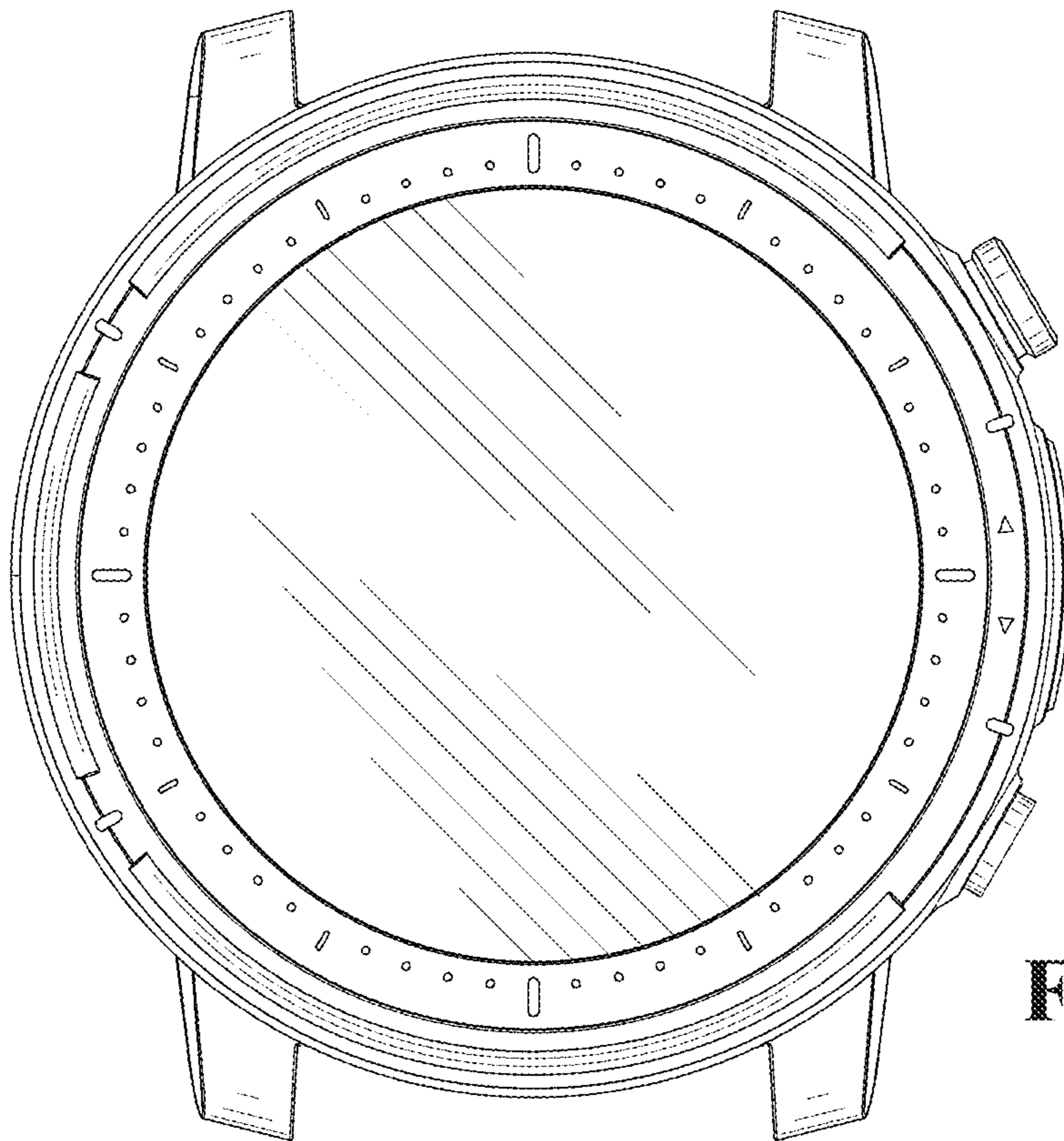


FIG. 10

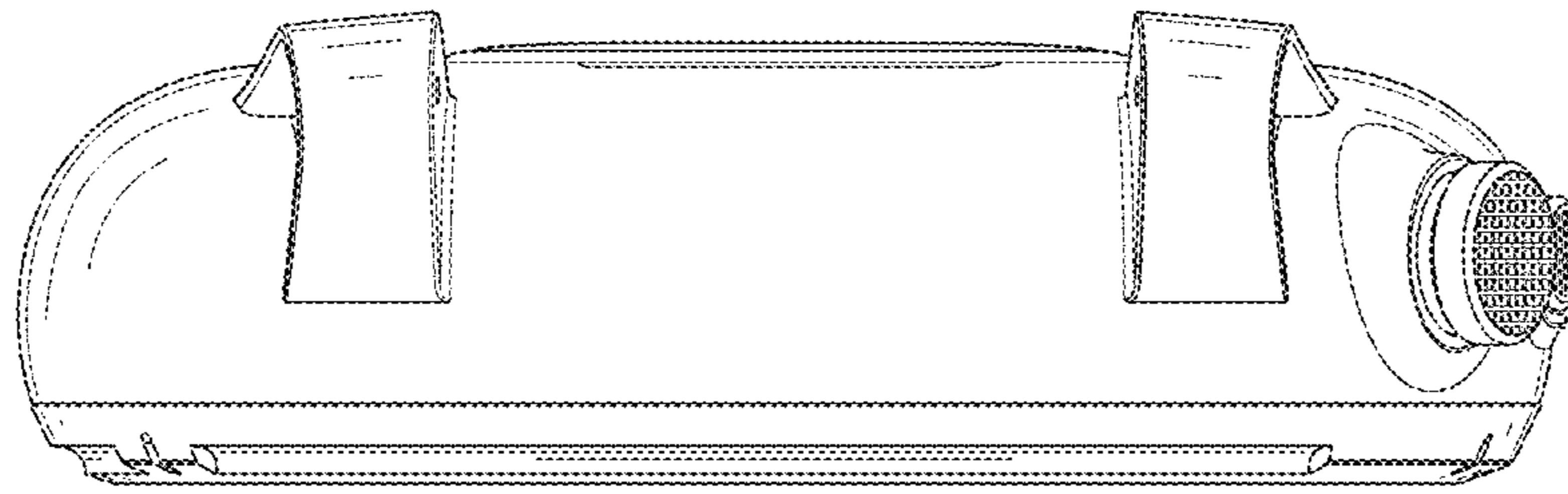


FIG. 11

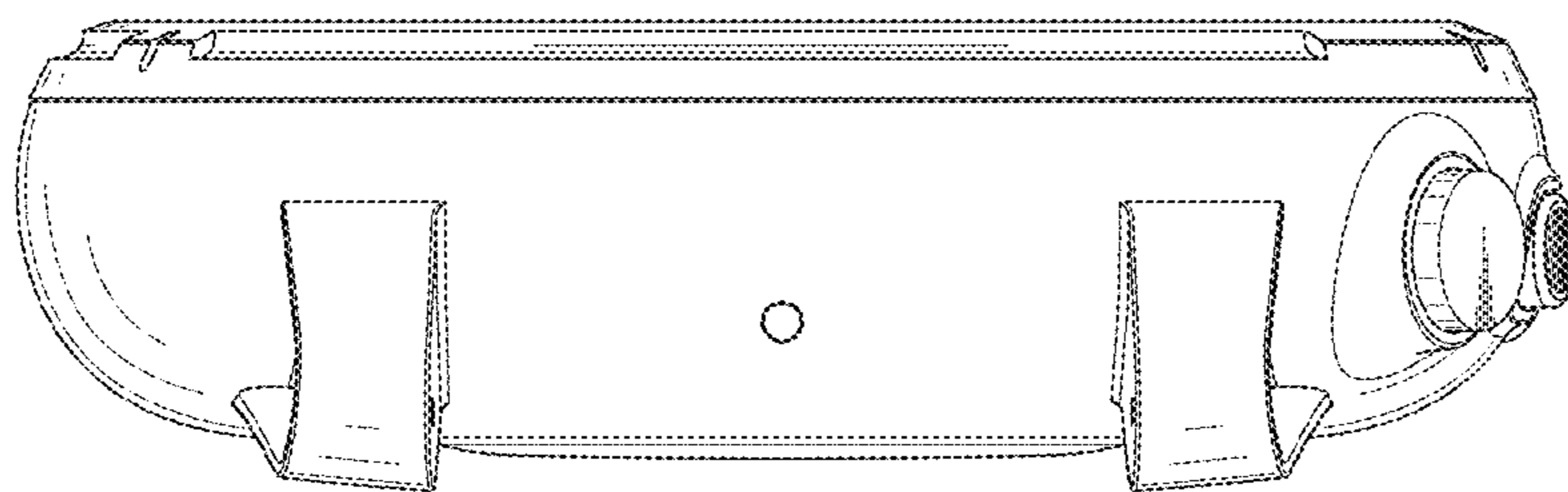


FIG. 12

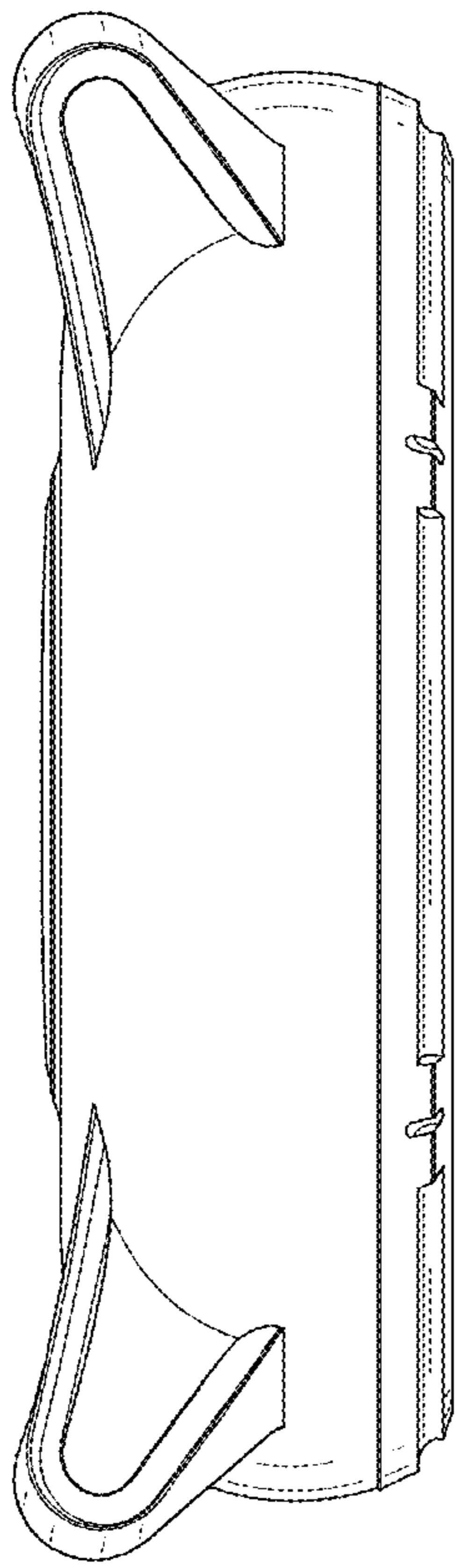


FIG. 13

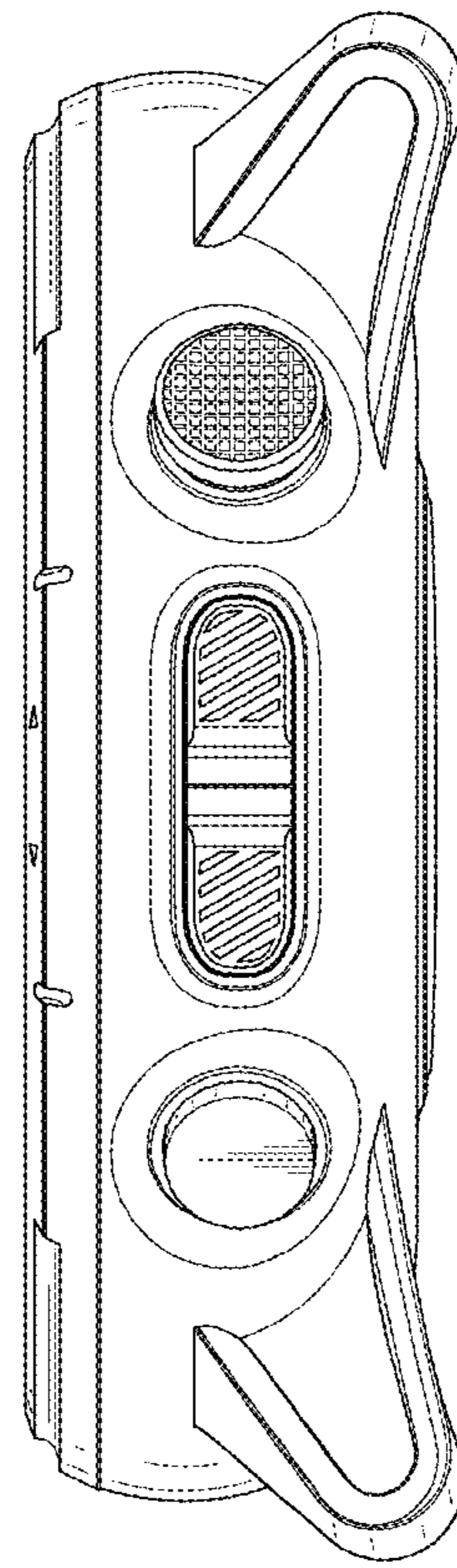


FIG. 14