



US00D945414S

(12) **United States Design Patent** (10) **Patent No.:** **US D945,414 S**
Cheng (45) **Date of Patent:** **** Mar. 8, 2022**

(54) **ELECTRONIC DEVICE**

FOREIGN PATENT DOCUMENTS

(71) Applicants: **Zhangyue Technology Co., LTD**,
Beijing (CN); **Shenzhen Zhangyue**
Technology Co., LTD, Shenzhen (CN)

CN 304829657 * 9/2018
CN 305851615 * 6/2020

(Continued)

(72) Inventor: **Chao Cheng**, Shenzhen (CN)

OTHER PUBLICATIONS

(73) Assignees: **Zhangyue Technology Co., LTD**,
Beijing (CN); **Shenzhen Zhangyue**
Technology Co., LTD, Shenzhen (CN)

Taotuo 10.1 E-Ink Tablet, date first available: Jan. 11, 2021,
[retrieved Sep. 23, 2021], Retrieved from Internet, URL: <https://
www.amazon.com/Taotuo-Paperwhite-Adjustable-Android-Bluetooth/
dp/B08SMC8VKS/ref=pd_sbs_18/145-1368511-6281309?pd_rd_
w=8FOI%E2%80%A6> (Year: 2021).*

(Continued)

(**) Term: **15 Years**

(21) Appl. No.: **29/670,060**

Primary Examiner — Barbara Fox

Assistant Examiner — Aram Kwon

(22) Filed: **Nov. 13, 2018**

(74) *Attorney, Agent, or Firm* — BakerHostetler

(30) **Foreign Application Priority Data**

May 16, 2018 (CN) 201830225479.8
Jul. 20, 2018 (CN) 201830393739.2

(57) **CLAIM**

I claim the ornamental design for an electronic device, as
shown and described.

(51) **LOC (13) Cl.** **14-02**

DESCRIPTION

(52) **U.S. Cl.**
USPC **D14/341**

(58) **Field of Classification Search**
USPC D14/138 AA, 138 AB, 138 AC, 138 AD,
D14/138 C, 138 G, 248, 315–318,
D14/341–347, 371, 374; D6/308, 310;
D10/50, 65, 104.1; D18/6–7; D19/26,
D19/59–60; D21/324, 329–330, 332;
D13/103

FIG. 1 is a front perspective view of an electronic device in
accordance with the present design;
FIG. 2 is a rear perspective view of the electronic device in
FIG. 1;
FIG. 3 is a front view thereof;
FIG. 4 is a rear view thereof;
FIG. 5 is a top view thereof;
FIG. 6 is a bottom view thereof;
FIG. 7 is a left side view thereof;
FIG. 8 is a right side view thereof;
FIG. 9 is an enlarged view of the encircled portion of the
electronic device shown in FIG. 2; and,
FIG. 10 is an enlarged view of the encircled portion of the
electronic device shown in FIG. 5.

CPC ... H04M 1/0202; H04M 1/0266; H04M 1/725
See application file for complete search history.

The broken lines in the figures show portions of the elec-
tronic device that form no part of the claimed design.

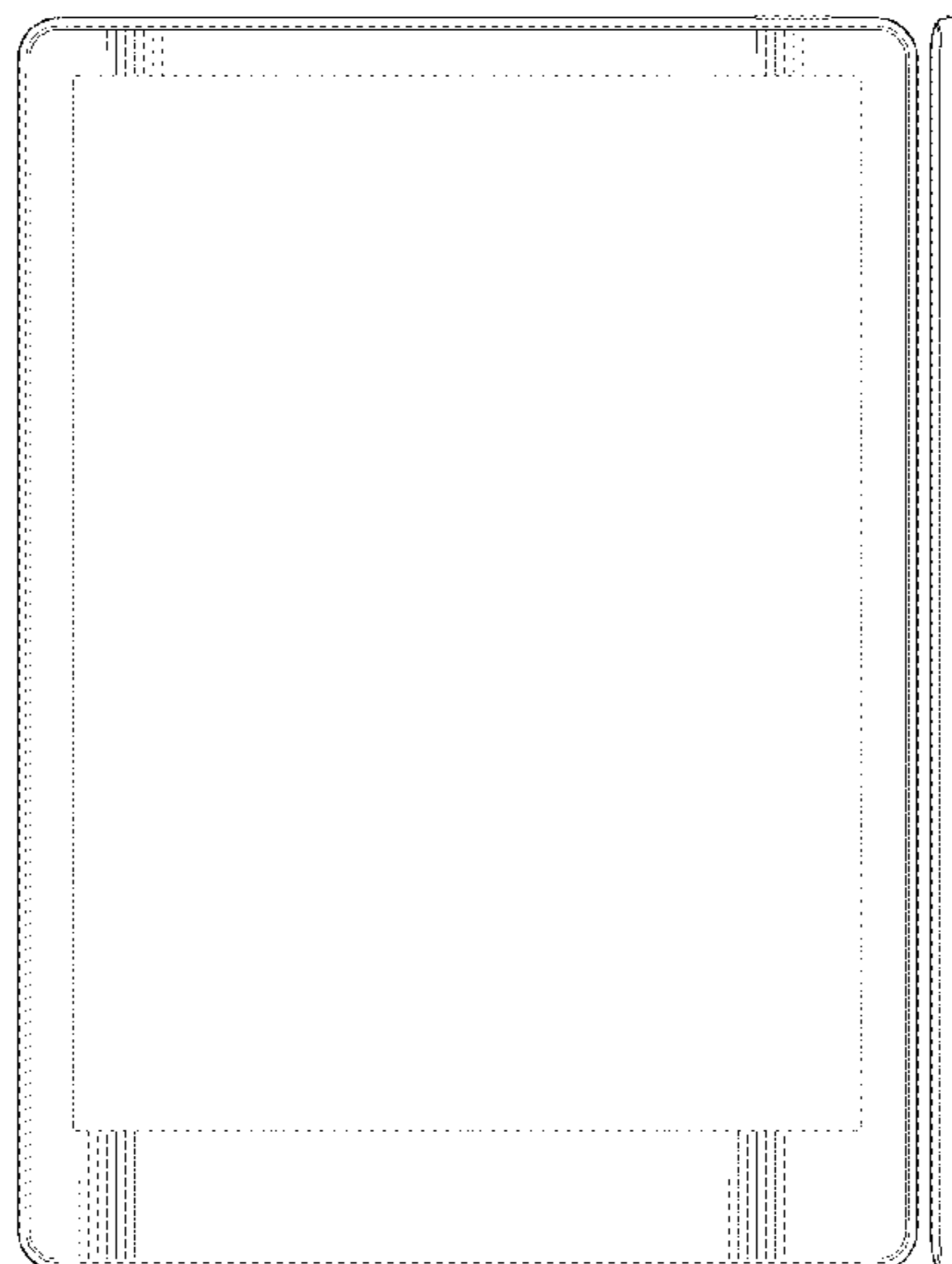
(56) **References Cited**

U.S. PATENT DOCUMENTS

D504,889 S * 5/2005 Andre D14/341
D627,777 S * 11/2010 Akana D14/341
D669,468 S * 10/2012 Akana D14/341

(Continued)

1 Claim, 5 Drawing Sheets



(56)

References Cited

U.S. PATENT DOCUMENTS

D681,632 S * 5/2013 Akana D14/341
 D689,482 S * 9/2013 Akana D14/341
 D697,911 S * 1/2014 McManigal D14/341
 D699,719 S * 2/2014 Akana D14/341
 D705,779 S * 5/2014 Akana D14/341
 D706,774 S * 6/2014 Park D14/341
 D706,775 S * 6/2014 Akana D14/341
 D712,899 S * 9/2014 Park D14/341
 D715,794 S * 10/2014 Zhou D14/341
 D715,795 S * 10/2014 McManigal D14/341
 D736,202 S * 8/2015 Solomon D14/341
 D736,203 S * 8/2015 Kim D14/341
 D743,959 S * 11/2015 Landwehr D14/341
 D744,481 S * 12/2015 Yokoyama D14/341
 D745,509 S * 12/2015 Solomon D14/341
 D746,281 S * 12/2015 Kim D14/341
 D746,282 S * 12/2015 Kim D14/341
 D746,283 S * 12/2015 Cha D14/341
 D746,284 S * 12/2015 Lee D14/341
 D747,312 S * 1/2016 Kim D14/341
 D747,712 S * 1/2016 Kim D14/341
 D750,062 S * 2/2016 Akana D14/341
 D750,065 S * 2/2016 Akana D14/341
 D753,105 S * 4/2016 Chang D14/341
 D757,712 S * 5/2016 Chae D14/341
 D757,715 S * 5/2016 Choi D14/341
 D758,361 S * 6/2016 Yeo D14/341
 D760,715 S * 7/2016 Chang D14/341
 D774,031 S * 12/2016 Otani D14/341
 D778,904 S * 2/2017 Akana D14/341
 D781,285 S * 3/2017 Akana D14/341
 D786,238 S * 5/2017 Roberts D14/341
 D808,957 S * 1/2018 Tian D14/341
 D820,253 S * 6/2018 Kim D14/341
 D822,015 S * 7/2018 Biddle D14/341
 D835,097 S * 12/2018 Morgan D14/341
 D839,266 S * 1/2019 Chang D14/341
 D858,513 S * 9/2019 Huh D14/341
 D870,100 S * 12/2019 Li D14/341
 D873,265 S * 1/2020 Wall D14/341
 D878,363 S * 3/2020 Zhai D14/341

D879,772 S * 3/2020 Wall D14/341
 D908,692 S * 1/2021 Biddle D14/341
 D908,693 S * 1/2021 Biddle D14/341
 D917,464 S * 4/2021 Kang D14/341
 D922,372 S * 6/2021 Ham D14/341
 D922,373 S * 6/2021 Yeo D14/341
 D923,619 S * 6/2021 Matsumoto D14/341
 D928,145 S * 8/2021 Solberg D14/341
 D928,146 S * 8/2021 Solberg D14/341
 2019/0389169 A1 * 12/2019 Liao B32B 7/12

FOREIGN PATENT DOCUMENTS

CN 306085637 * 10/2020
 CN 306085686 * 10/2020
 CN 306242346 * 12/2020
 CN 306521658 * 5/2021

OTHER PUBLICATIONS

Likebook E-Reader, date first available: Apr. 16, 2021, [retrieved Sep. 23, 2021], Retrieved from Internet, URL: <https://www.amazon.com/Likebook-Reader-P10-Writing-Speakers/dp/B08XV85KB2/ref=pd_sbs_4/145-1368511-6281309?pd_rd_w=8FOID&pf_rd_p%E2%80%A6> (Year: 2021).*

Onyx Boox KON-Tiki 2 eReader, date first available: Mar. 6, 2021, [retrieved Sep. 23, 2021], Retrieved from Internet, URL: <https://www.amazon.com/Onyx-Boox-KON-Tiki-eReader-Carta/dp/B08Y75JM52/ref=asc_df_B08Y75JM52/?tag=hyprod-20&linkCode=df0&hvadid=50%E2%80%A6> (Year: 2021).*

Best cheap tablets 2021: the top budget options, Sep. 22, 2021, [retrieved Sep. 23, 2021], Retrieved from Internet, URL: <<https://www.techradar.com/news/mobile-computing/tablets/best-cheap-tablets-top-budget-options-967277>> (Year: 2021).*

This is the Xiaomi iReader Smart +, Aug. 28, 2019, [retrieved Sep. 23, 2021], Retrieved from Internet, URL: <<https://newsbeezer.com/venezuelaeng/this-is-the-xiaomi-ireader-smart/>> (Year: 2019).*

Xiaomi Mi Reader Pro Review, date not available, [retrieved Sep. 23, 2021], Retrieved from Internet, URL: <<https://www.igeekphone.com/xiaomi-mi-reader-pro-in-depth-review/>> (Year: 2021).*

* cited by examiner

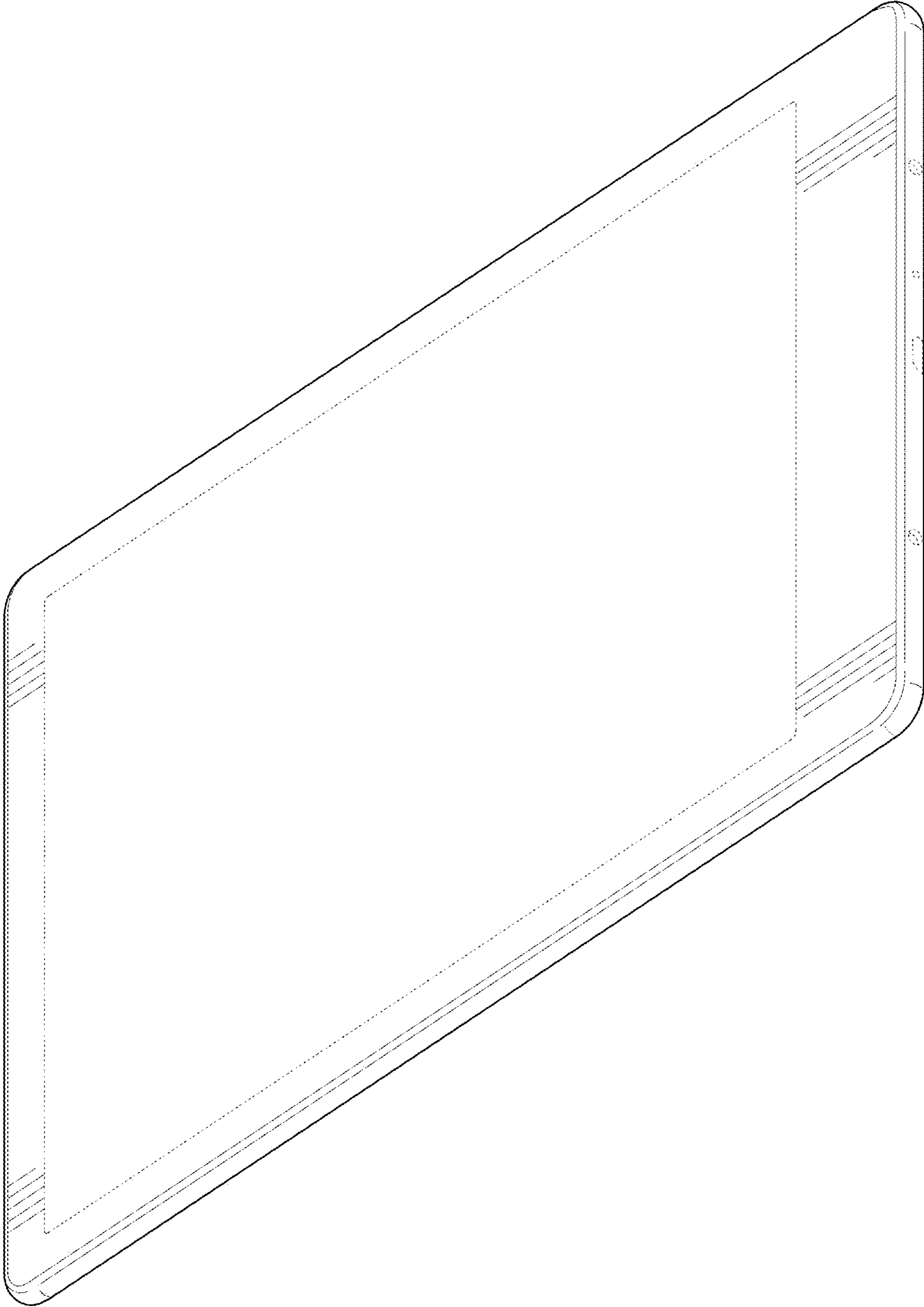


FIG. 1

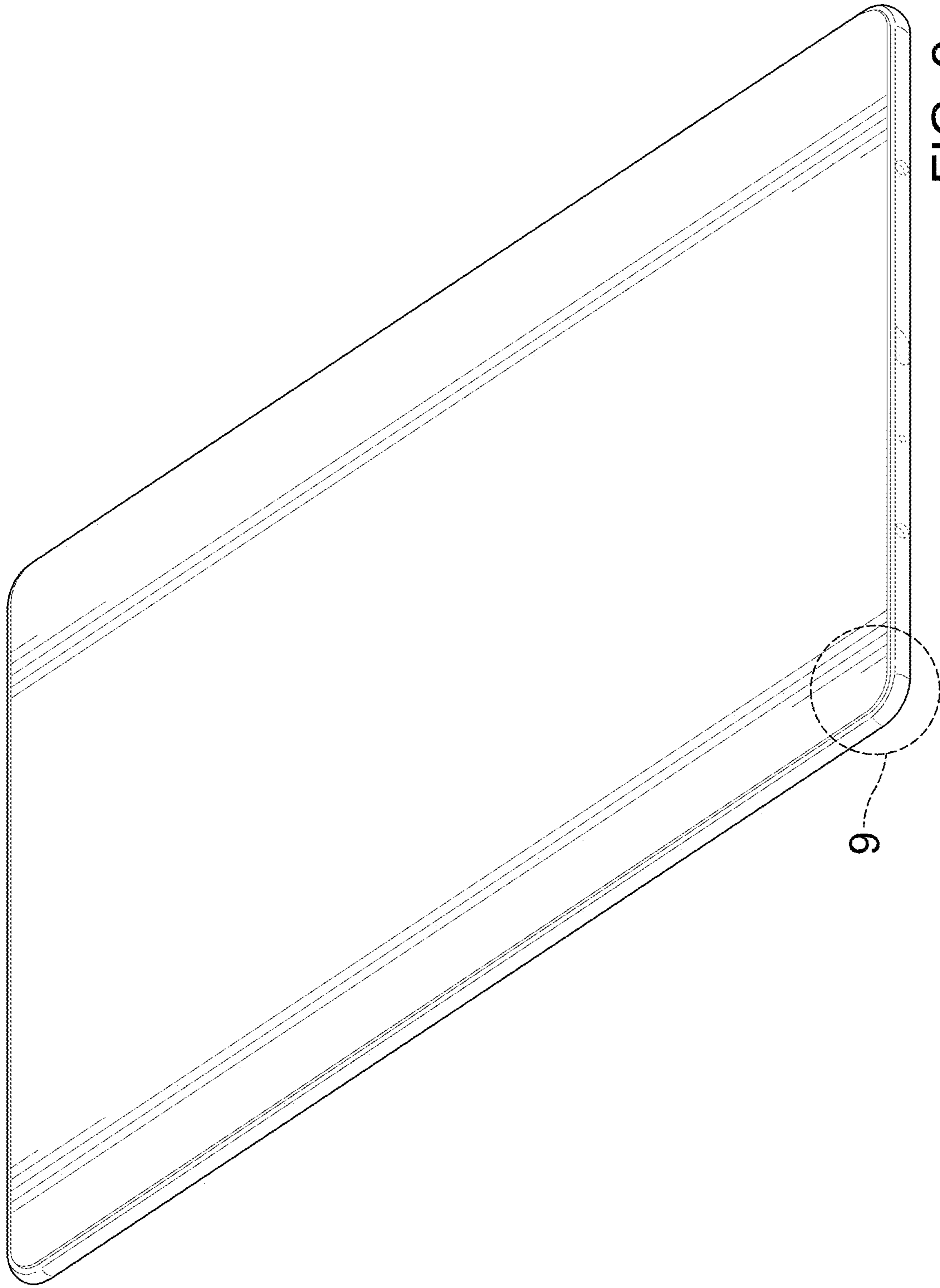


FIG. 2

9

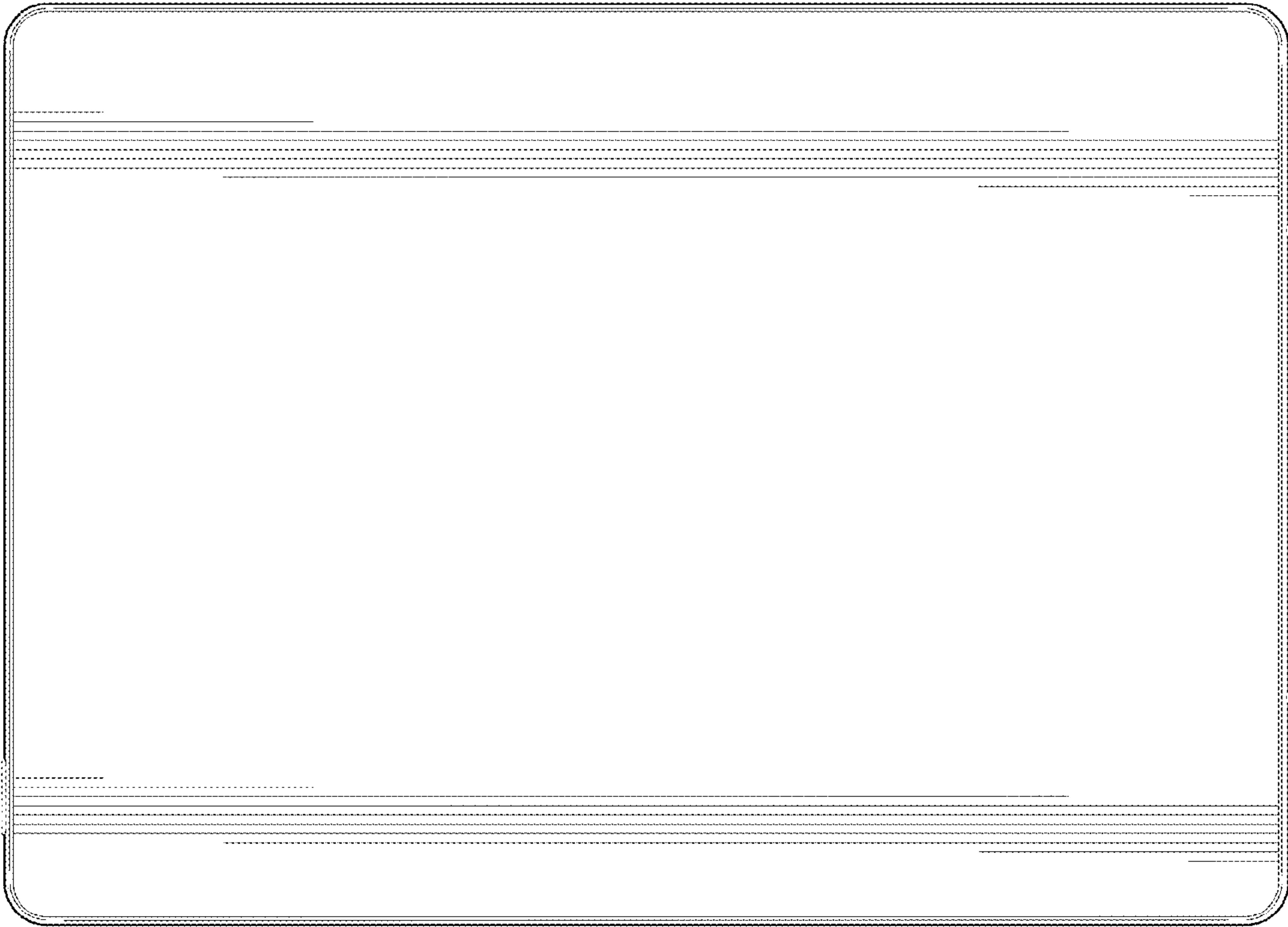


FIG. 4

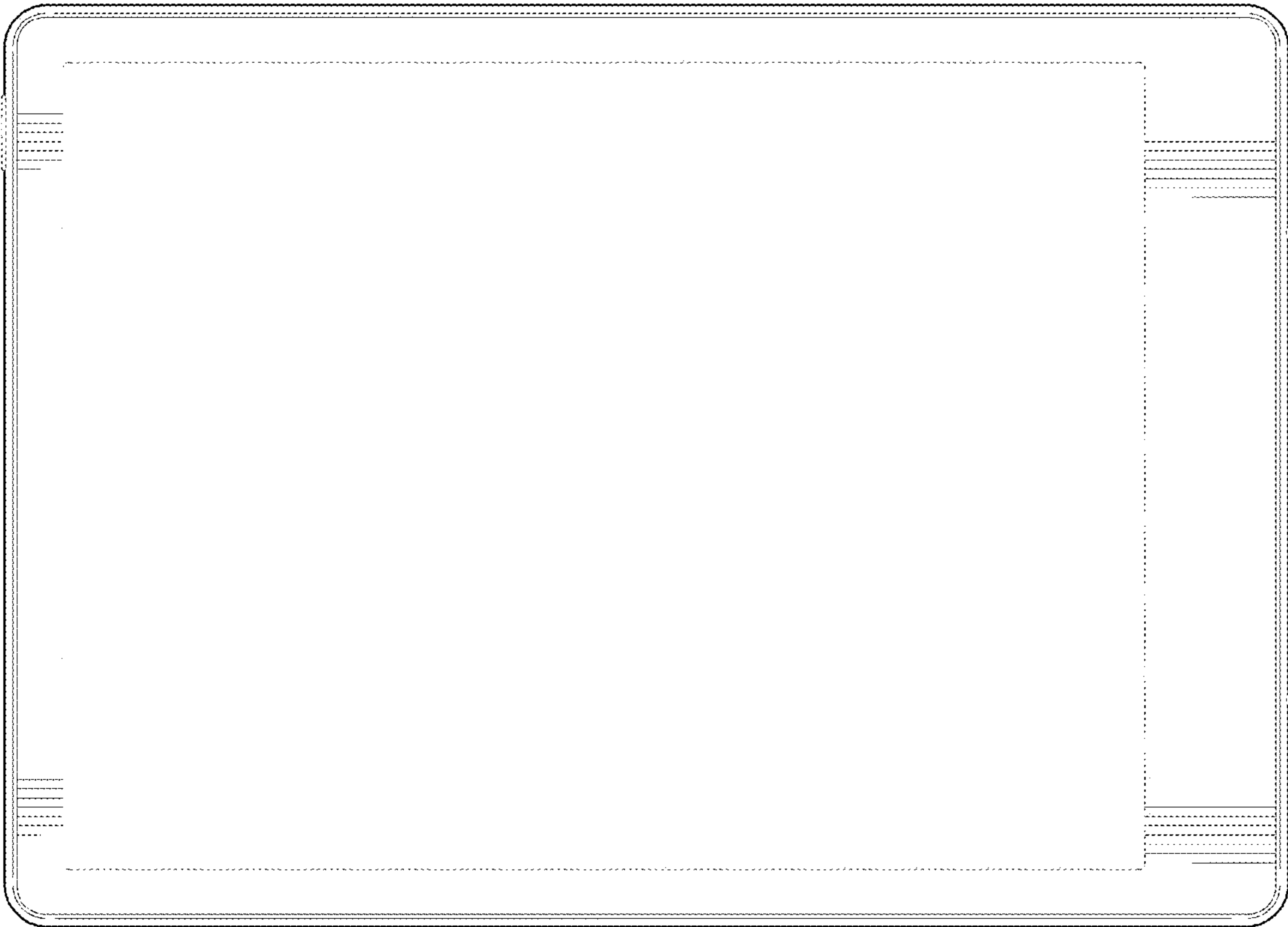


FIG. 3

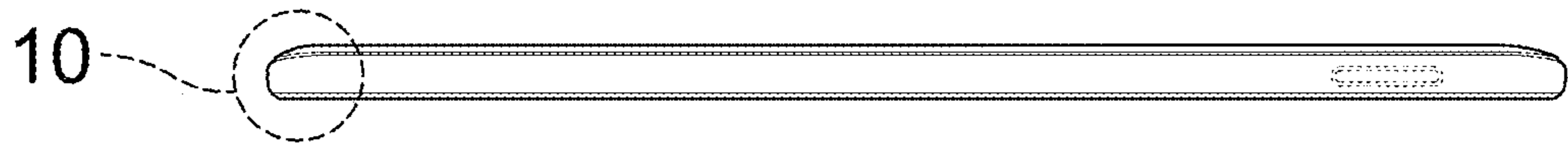


FIG. 5

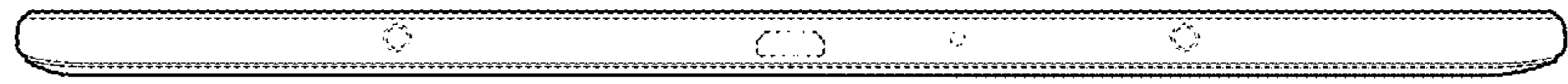


FIG. 6



FIG. 7

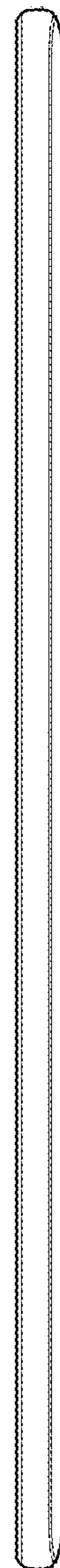


FIG. 8

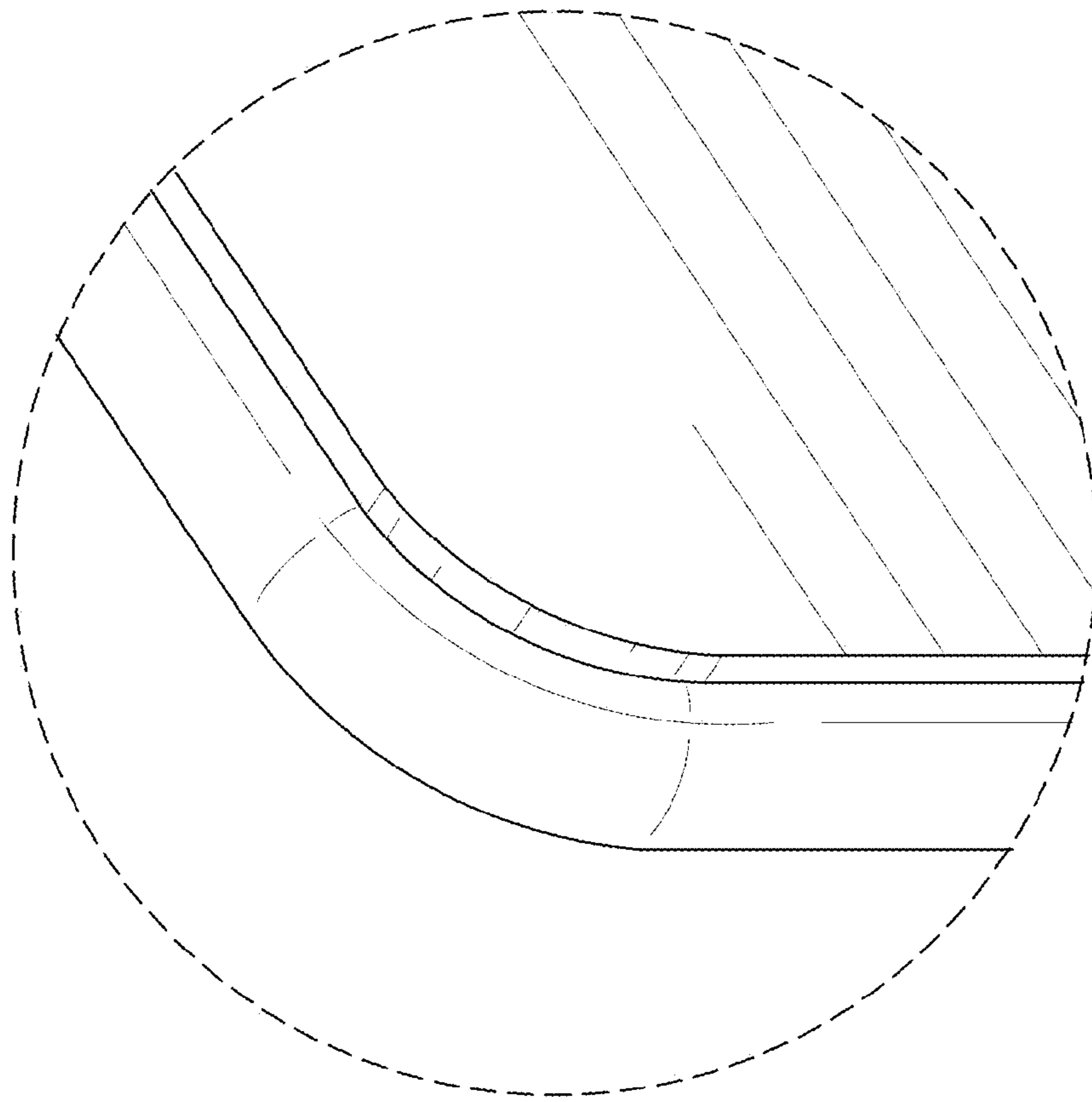


FIG. 9

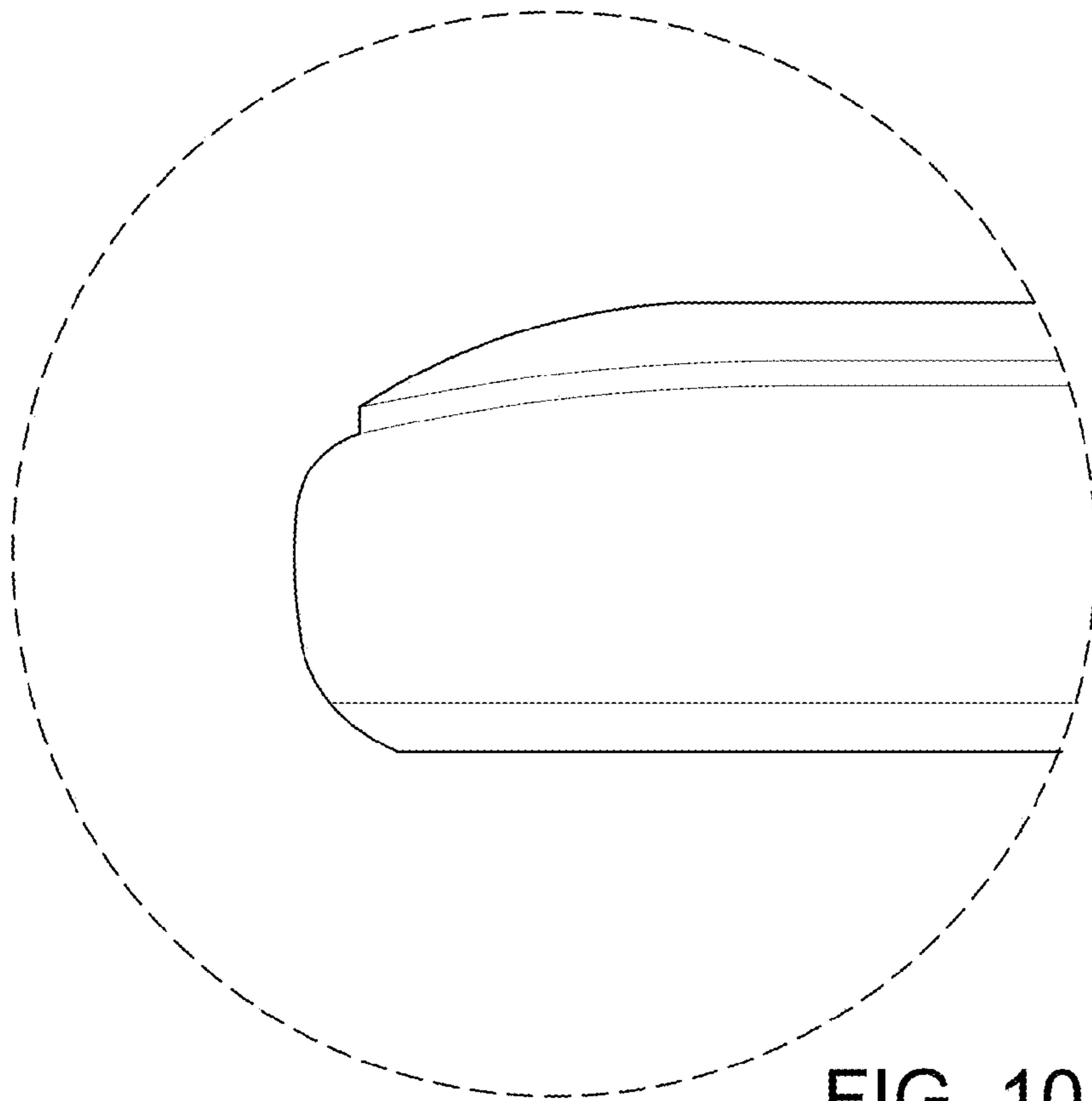


FIG. 10