

US00D945412S

(12) **United States Design Patent** (10) **Patent No.:** **US D945,412 S**  
**Roberts et al.** (45) **Date of Patent:** **\*\* Mar. 8, 2022**

(54) **WALLET MOUNT FOR A MOBILE DEVICE CASE**

(71) Applicant: **Peak Design**, San Francisco, CA (US)

(72) Inventors: **Rachel Roberts**, San Francisco, CA (US); **Joseph Cunningham**, San Francisco, CA (US); **Matthew Thomas James**, San Francisco, CA (US); **Arthur Viger**, San Francisco, CA (US); **Peter Lockett**, Oakland, CA (US); **Colin Maginnis**, San Francisco, CA (US)

(73) Assignee: **Peak Design**, San Francisco, CA (US)

(\*\*) Term: **15 Years**

(21) Appl. No.: **29/778,083**

(22) Filed: **Apr. 9, 2021**

**Related U.S. Application Data**

(63) Continuation-in-part of application No. 17/067,612, filed on Oct. 9, 2020, which is a continuation-in-part of application No. 16/945,687, filed on Jul. 31, 2020.

(51) **LOC (13) Cl.** ..... **23-04**

(52) **U.S. Cl.**  
USPC ..... **D14/253**; D3/247

(58) **Field of Classification Search**  
USPC ..... D14/251–253, 440, 447, 217, 238.1; D12/415; D3/218, 247, 249; D13/108; D6/310; D8/353

CPC ..... H04M 1/04; H04M 1/21; H04M 1/0266; F16M 13/00; F16M 11/041; B60R 11/0241; B60R 11/0252; B60R 2011/0059; B60R 2011/0063; B60R 2011/0005; B60R 2011/0003; B60R 2011/0078; H02J 7/0027; H02J 2310/22; A45F 2200/0516; A45F

(Continued)

(56) **References Cited**

**U.S. PATENT DOCUMENTS**

D251,082 S \* 2/1979 Petrie ..... D19/20  
D666,614 S \* 9/2012 Ding ..... D14/253

(Continued)

*Primary Examiner* — Janice Hallmark

(74) *Attorney, Agent, or Firm* — Grumbles Law PLLC; Brittany Nanzig

(57) **CLAIM**

The ornamental design for a wallet mount for a mobile device case, as shown and described.

**DESCRIPTION**

FIG. 1 is an elevational front view of a wallet mount for a mobile device case showing our new design.

FIG. 2 is an elevational back view of the wallet mount for a mobile device case.

FIG. 3 is an elevational right side view of the wallet mount for a mobile device case engaged with a mobile device case and in an alternate configuration; the elevational left side view is a mirror image of the elevational right side view.

FIG. 4 is an elevational front view of a wallet mount for a mobile device case engaged with a mobile device case and in an alternate configuration.

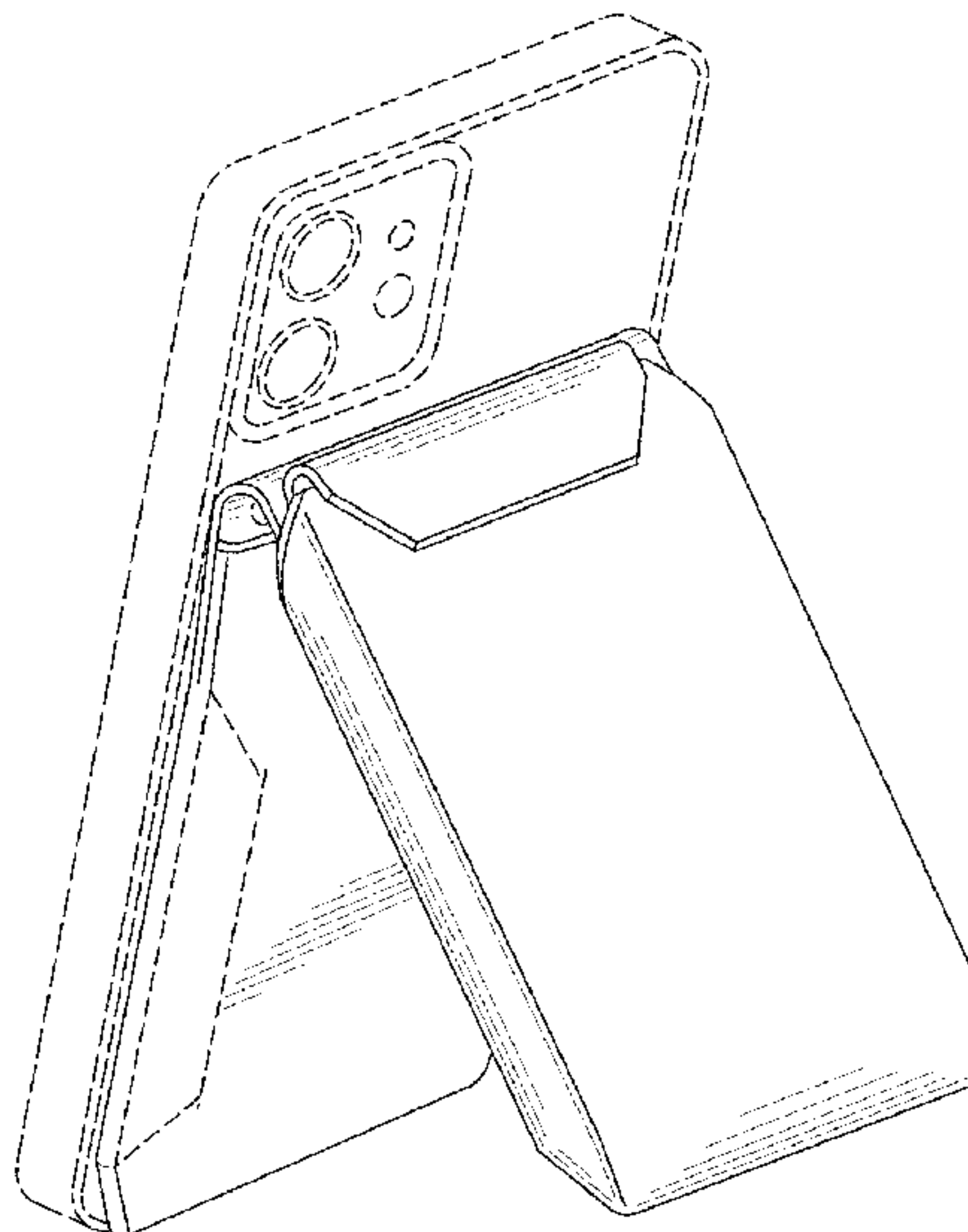
FIG. 5 is a front perspective view of the wallet mount for a mobile device case engaged with a mobile device case and in an alternate configuration.

FIG. 6 is a front perspective view of the wallet mount for a mobile device case engaged with a mobile device case and in an alternate configuration; and,

FIG. 7 is a back perspective view of the wallet mount for a mobile device case engaged with a mobile device case and in an alternate configuration.

The broken lines in the drawings are for the purposes of illustrating environment or for depicting parts of the wallet mount for a mobile device case that form no part of the claimed design.

**1 Claim, 5 Drawing Sheets**



(58) **Field of Classification Search**

CPC ..... 5/00; A45F 2200/0525; A45F 5/10; A45C  
2011/002; G03B 17/561; G03B 27/582;  
A47B 97/04; G09F 1/00

See application file for complete search history.

(56) **References Cited**

U.S. PATENT DOCUMENTS

D688,655	S *	8/2013	Rey-Hipolito .....	D14/250
D779,478	S *	2/2017	Justiss .....	D14/253
D809,289	S *	2/2018	DeChant .....	D3/247
D811,739	S *	3/2018	DeChant .....	D3/247
10,078,346	B2	9/2018	Lay et al.	
D840,996	S *	2/2019	Lambert .....	D14/253
D842,851	S *	3/2019	Leitman .....	D14/253
D858,504	S *	9/2019	Gellner .....	D14/250
D859,308	S	9/2019	Connell et al.	
D878,751	S *	3/2020	DeChant .....	D3/247
D885,375	S *	5/2020	Haskell .....	D14/250
D894,890	S *	9/2020	Lederer .....	D14/253
2011/0192857	A1	8/2011	Rothbaum et al.	
2013/0165188	A1*	6/2013	Carney .....	H04M 1/0202 455/575.1
2014/0355200	A1	12/2014	Thiers	
2016/0134142	A1	5/2016	Murphy	
2018/0032104	A1	2/2018	Schatz et al.	
2018/0325228	A1*	11/2018	Leimer .....	A45C 11/182

\* cited by examiner

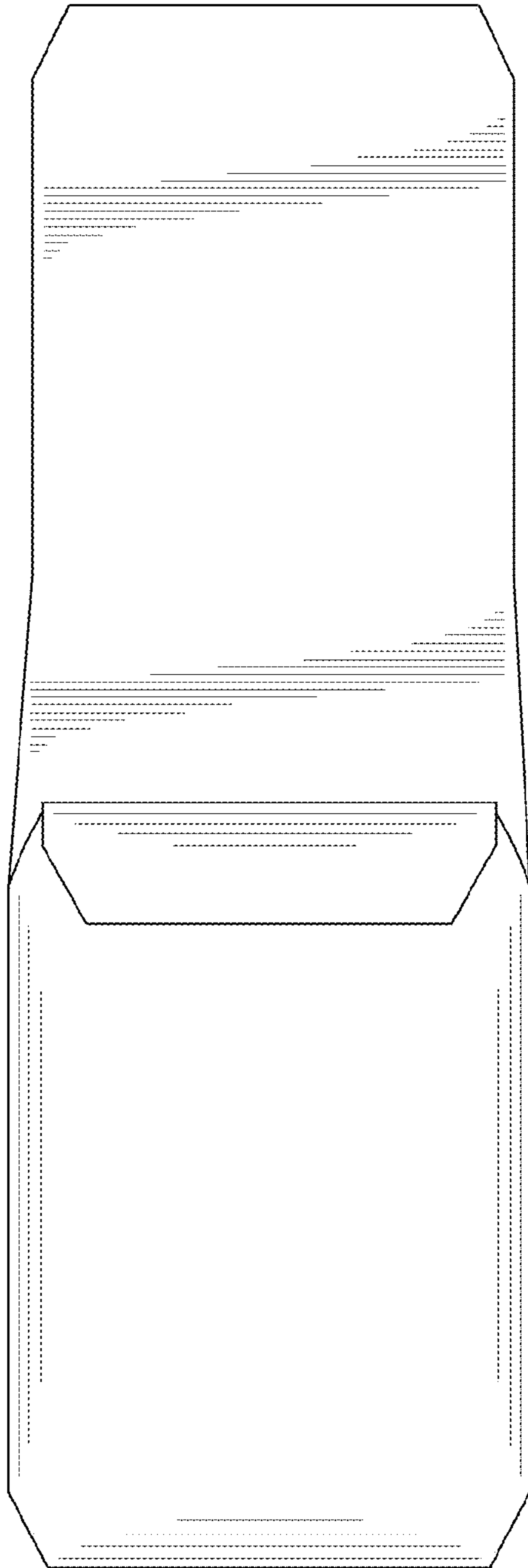


FIG. 1

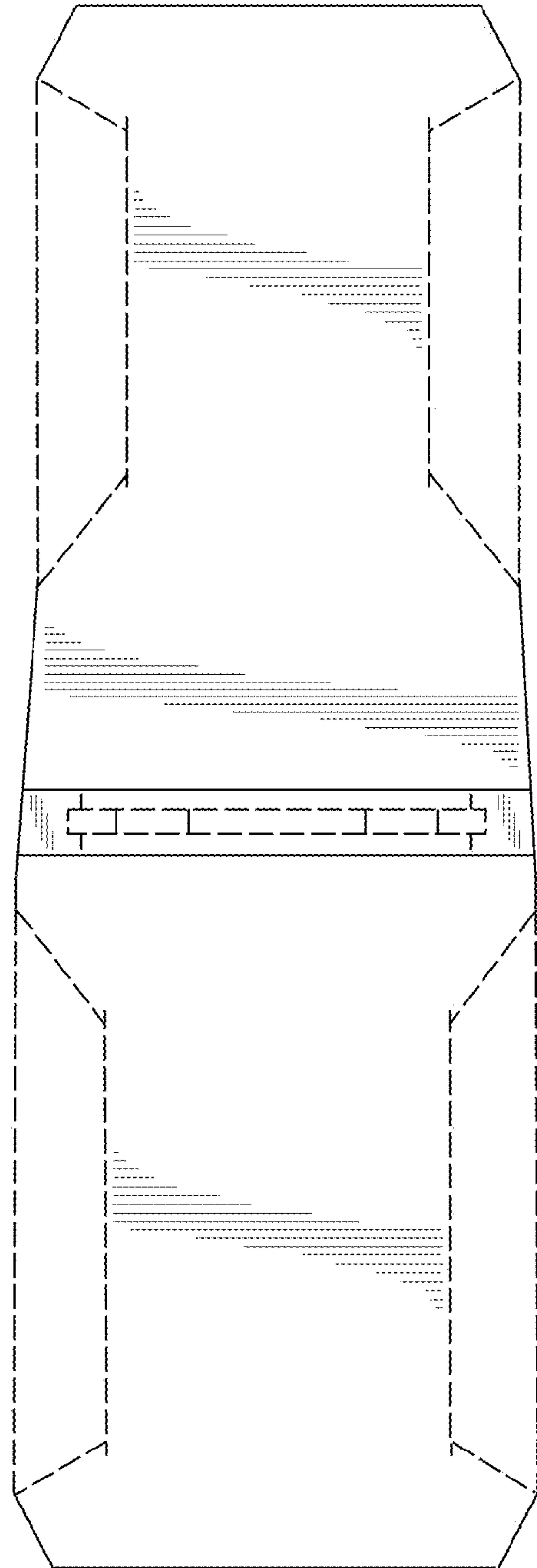


FIG. 2

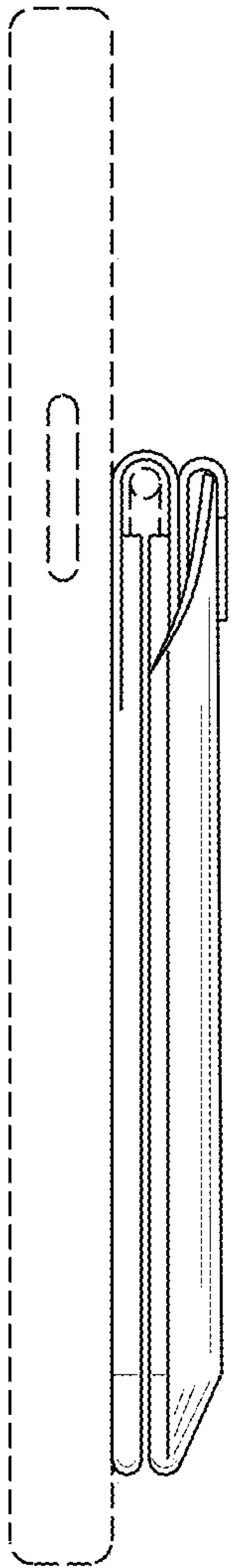


FIG. 3

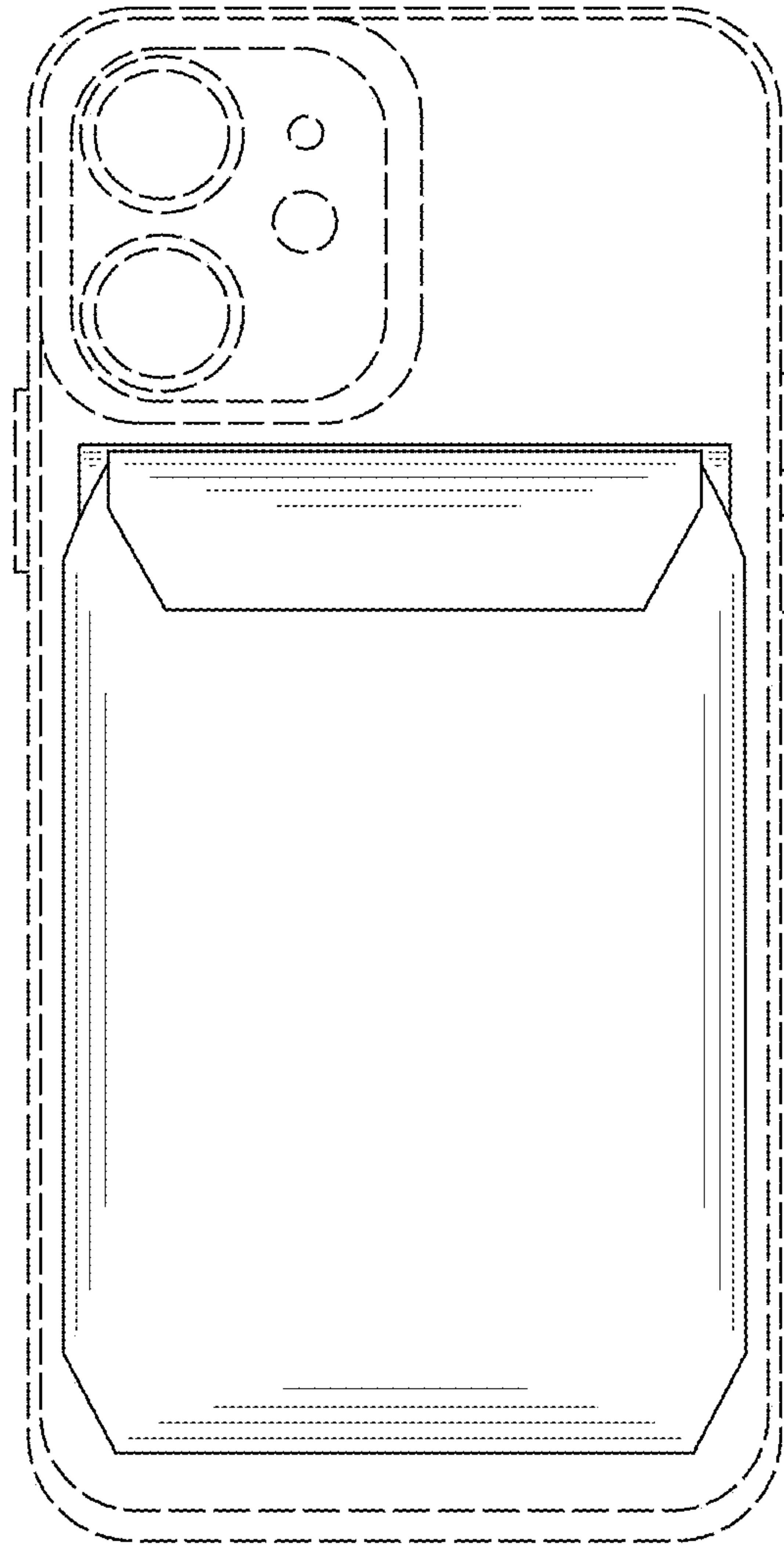


FIG. 4

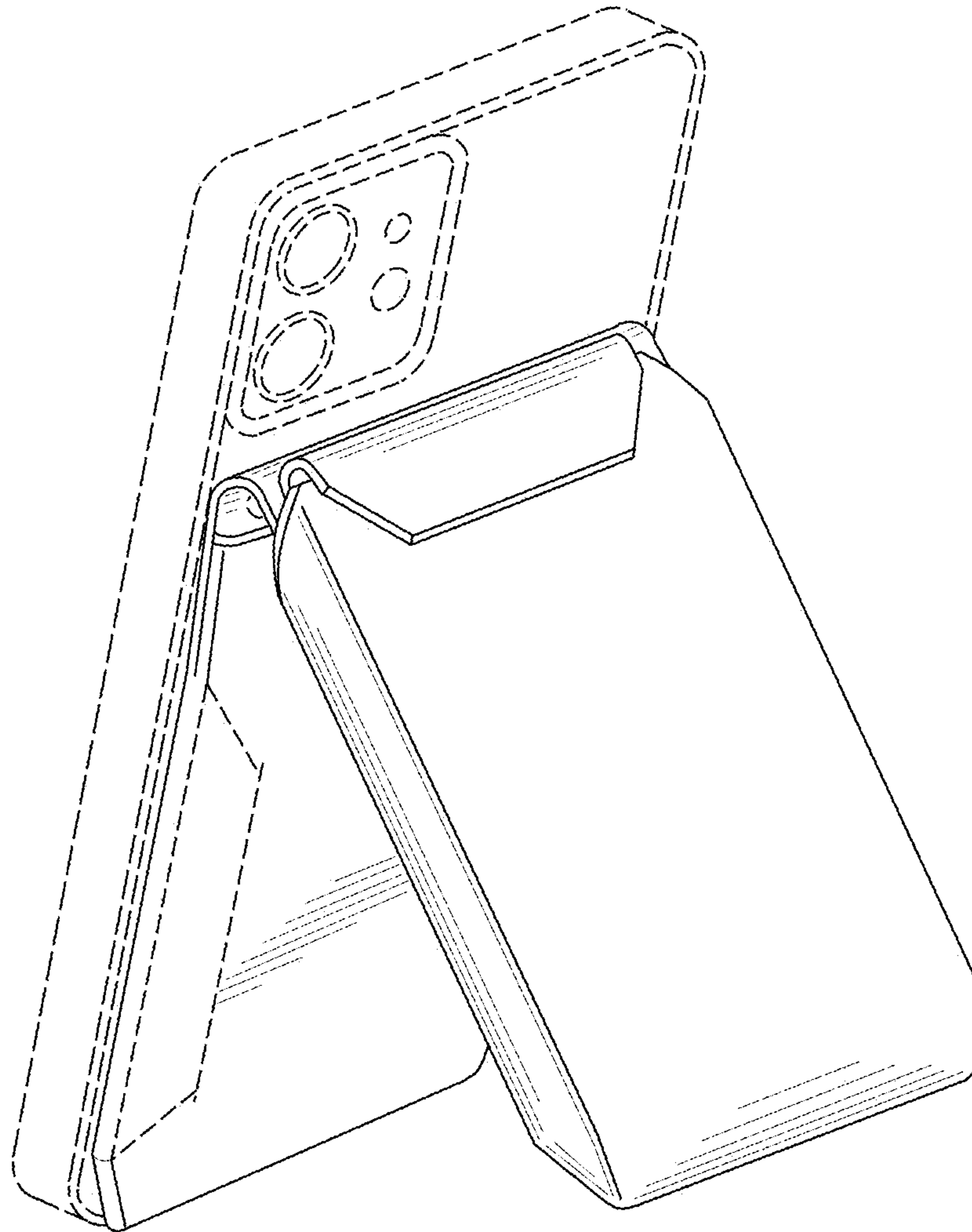


FIG. 5



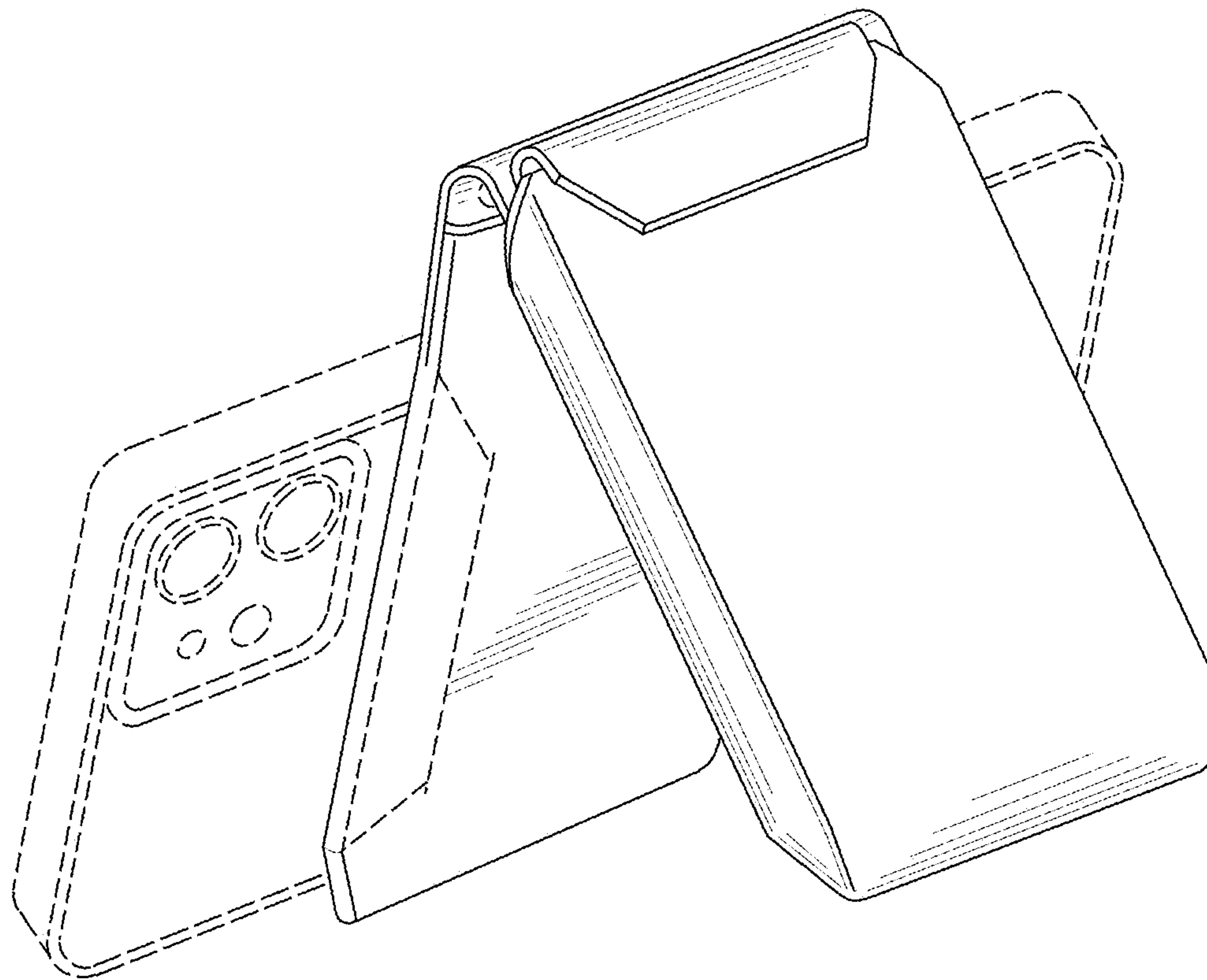


FIG. 6

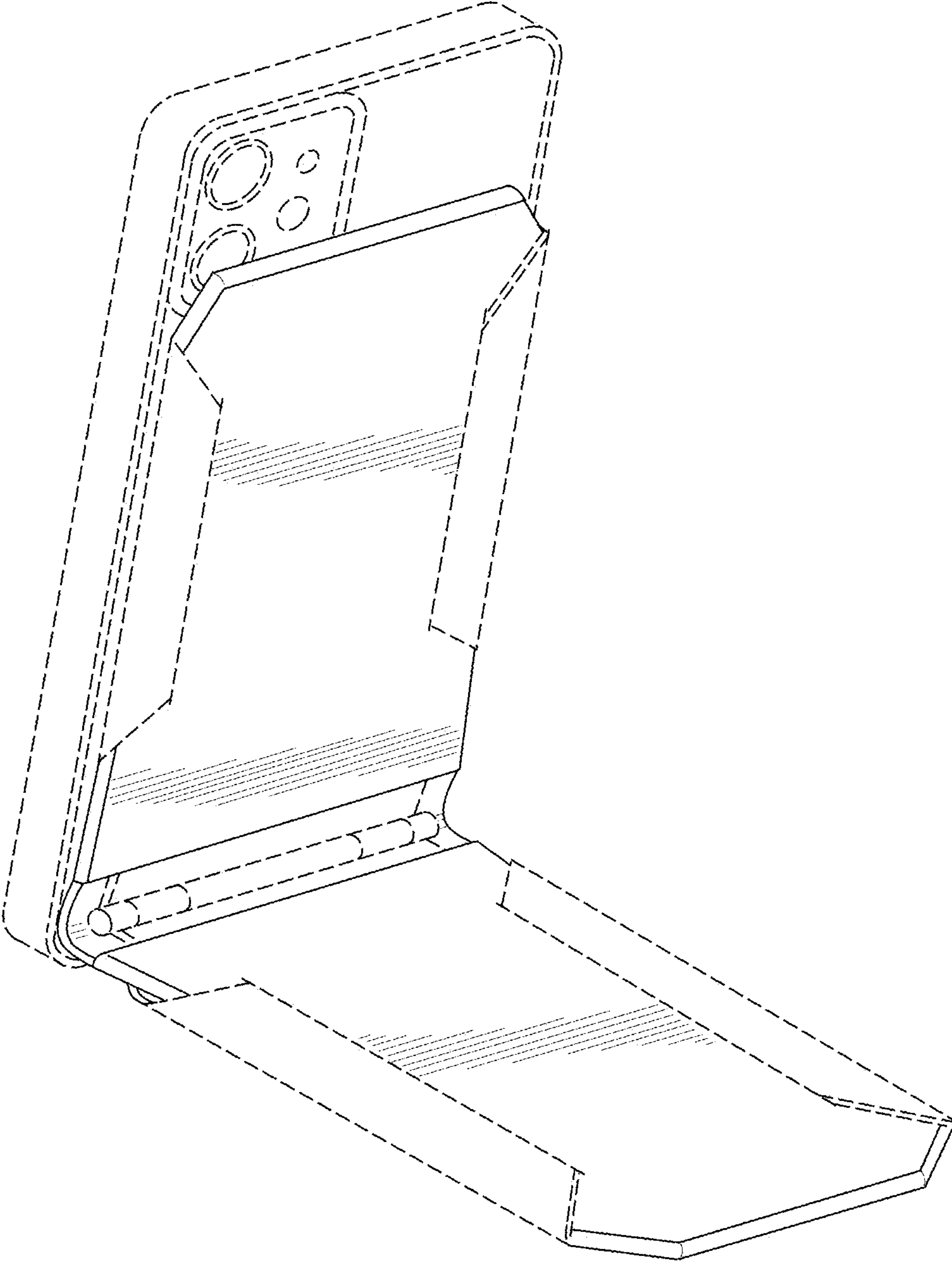


FIG. 7