



US00D945411S

(12) **United States Design Patent** (10) **Patent No.:** **US D945,411 S**
Jankura et al. (45) **Date of Patent:** **** Mar. 8, 2022**

(54) **TRIPOD ATTACHMENT FOR A MOBILE DEVICE CASE**

(71) Applicant: **Peak Design**, San Francisco, CA (US)

(72) Inventors: **Robb Jankura**, Boulder, CO (US);
Matthew Thomas James, San Francisco, CA (US); **Arthur Viger**, San Francisco, CA (US); **Jaimee Erickson**, San Francisco, CA (US)

(73) Assignee: **Peak Design**, San Francisco, CA (US)

(**) Term: **15 Years**

(21) Appl. No.: **29/778,074**

(22) Filed: **Apr. 9, 2021**

Related U.S. Application Data

(63) Continuation-in-part of application No. 17/067,612, filed on Oct. 9, 2020, which is a continuation-in-part of application No. 16/945,687, filed on Jul. 31, 2020.

(51) **LOC (13) Cl.** **14-03**

(52) **U.S. Cl.**
USPC **D14/253**; D16/244

(58) **Field of Classification Search**
USPC D14/251–253, 447; D12/415; D16/244
(Continued)

(56) **References Cited**

U.S. PATENT DOCUMENTS

D575,293 S * 8/2008 Derry D14/447
8,708,151 B2 4/2014 Whitten et al.
(Continued)

Primary Examiner — Janice Hallmark

(74) *Attorney, Agent, or Firm* — Grumbles Law PLLC; Brittany Nanzig

(57) **CLAIM**

The ornamental design for a tripod attachment for a mobile device case, as shown and described.

DESCRIPTION

FIG. 1 is a perspective back view of a tripod attachment for a mobile device case showing our new design.

FIG. 2 is a perspective front view of the tripod attachment for a mobile device case.

FIG. 3 is an elevational front view of the tripod attachment for a mobile device case.

FIG. 4 is an elevational back view of the tripod attachment for a mobile device case.

FIG. 5 is a bottom plan view of the tripod attachment for a mobile device case.

FIG. 6 is an elevational left side view of the tripod attachment for a mobile device case.

FIG. 7 is an elevational right side view of the tripod attachment for a mobile device case.

FIG. 8 is an elevational front view of the tripod attachment for a mobile device case in a second configuration.

FIG. 9 is an elevational back view of the tripod attachment for a mobile device case in the second configuration.

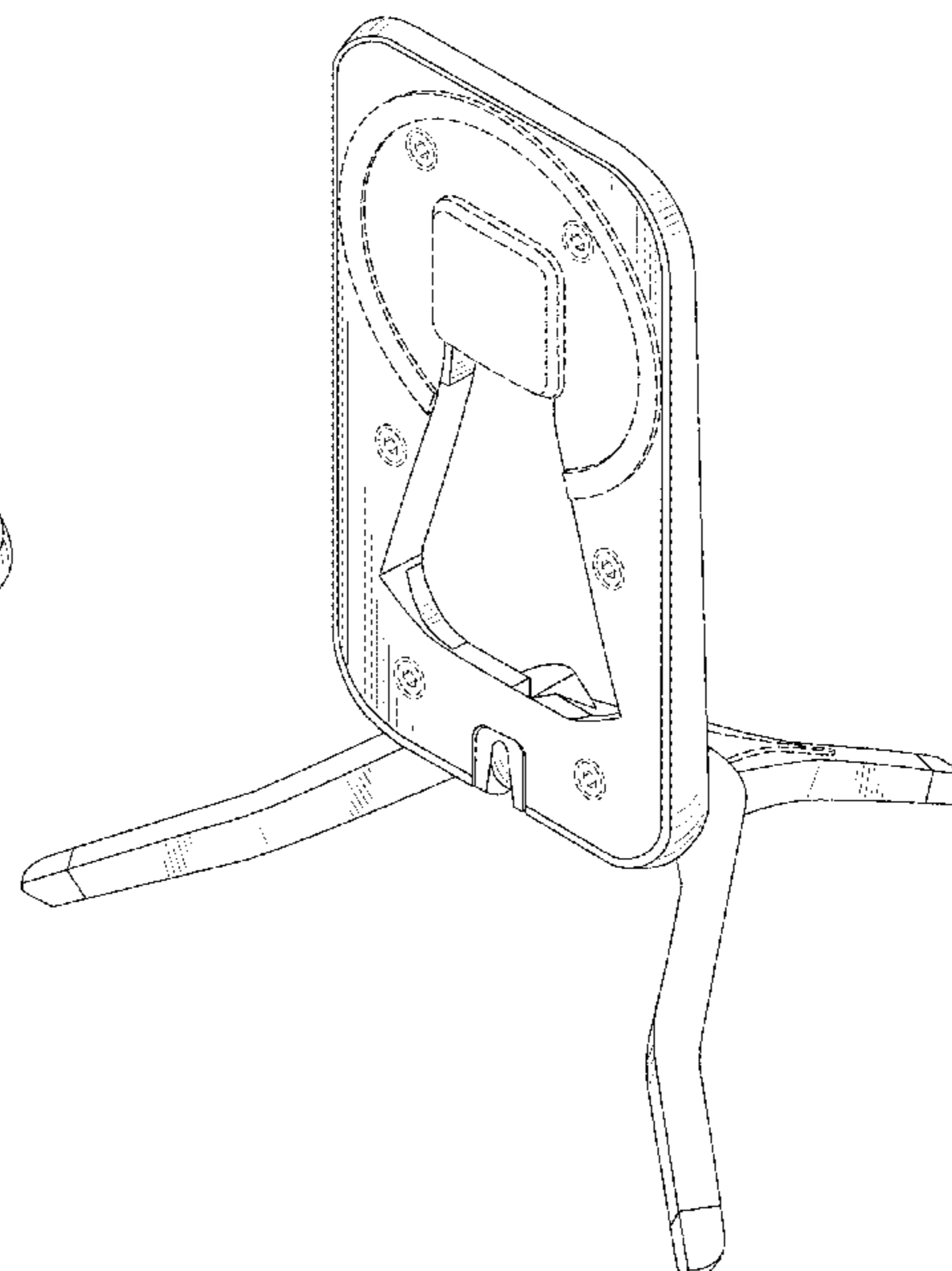
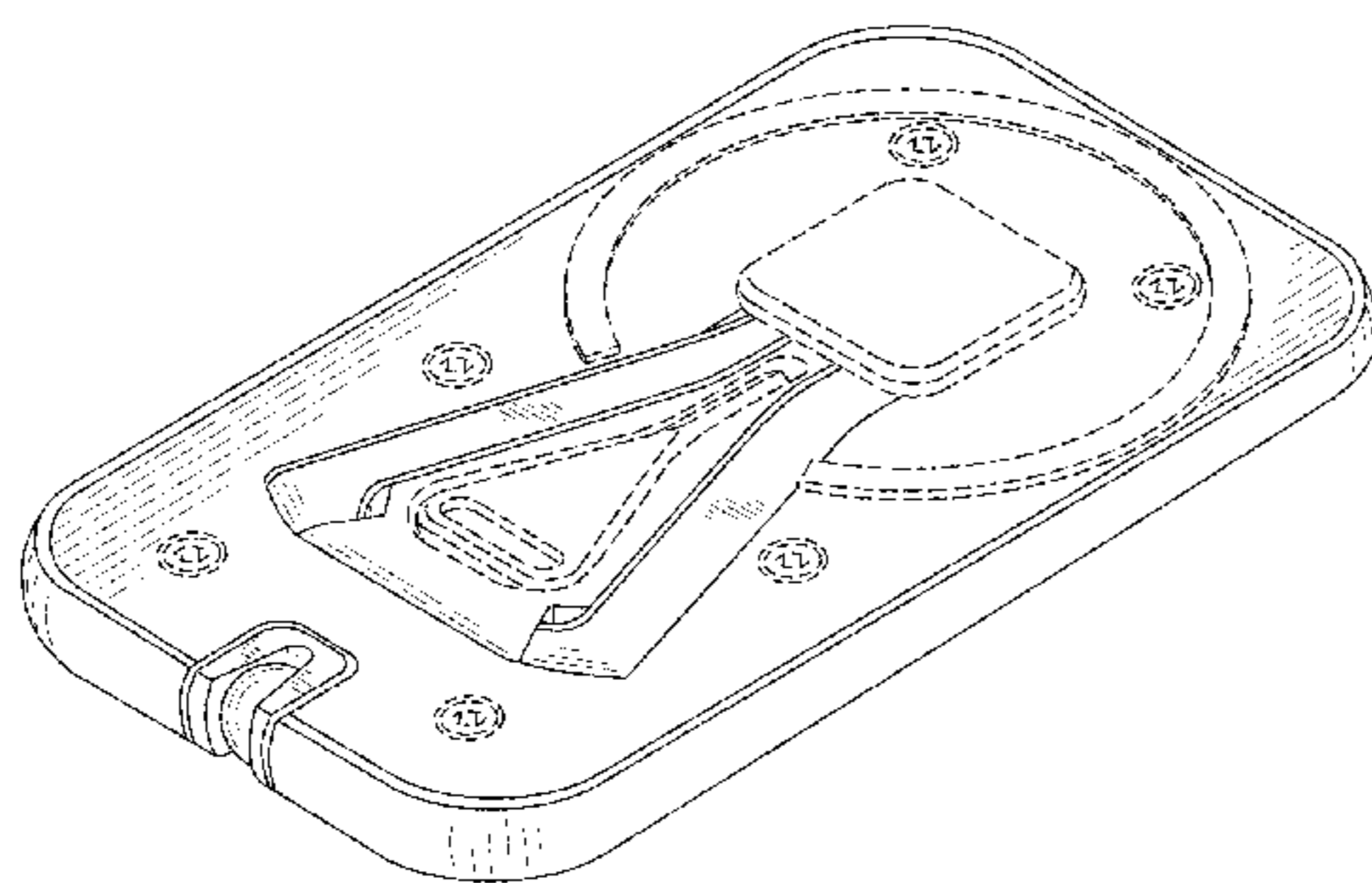
FIG. 10 is a top plan view of the tripod attachment for a mobile device case in the second configuration.

FIG. 11 is an elevational right side view of the tripod attachment for a mobile device case in the second configuration.

FIG. 12 is a perspective front view of the tripod attachment for a mobile device case in the second configuration; and, FIG. 13 is a perspective back view of the tripod attachment for a mobile device case in the second configuration.

The broken lines in the drawings are for the purposes of depicting parts of the tripod attachment for a mobile device case that form no part of the claimed design.

1 Claim, 9 Drawing Sheets



- (58) **Field of Classification Search**
 CPC H04B 1/3888; A45C 1/06; A45C 3/08
 See application file for complete search history.

(56) **References Cited**

U.S. PATENT DOCUMENTS

D729,223	S *	5/2015	Haarburger	D14/253
9,185,953	B2	11/2015	Whitten et al.	
D755,153	S *	5/2016	Steiner	D14/138 R
9,498,034	B2	11/2016	Whitten et al.	
D778,275	S *	2/2017	Gabriel	D14/250
D779,477	S	2/2017	Carnevali	
D780,166	S *	2/2017	Lin	D14/250
9,700,114	B2	7/2017	Whitten et al.	
9,872,544	B2	1/2018	Ho	
D824,750	S	8/2018	Carnevali	
D835,705	S *	12/2018	Chun	D16/244
D842,290	S *	3/2019	Robertson	D14/250
D865,747	S *	11/2019	Sage	D14/253
D872,166	S *	1/2020	Chun	D16/244
D907,625	S *	1/2021	Feng	D14/250
D909,455	S *	2/2021	Shan	D16/243
D921,096	S *	6/2021	Chen	D16/243
D922,471	S *	6/2021	Li	D16/244
2011/0192857	A1	8/2011	Rothbaum et al.	
2012/0006950	A1*	1/2012	Vandiver	F16M 11/105 248/176.3
2012/0025039	A1*	2/2012	Segal	F16M 13/022 248/188.6
2014/0355200	A1	12/2014	Thiers	
2016/0134142	A1	5/2016	Murphy	
2018/0032104	A1	2/2018	Schatz et al.	

* cited by examiner

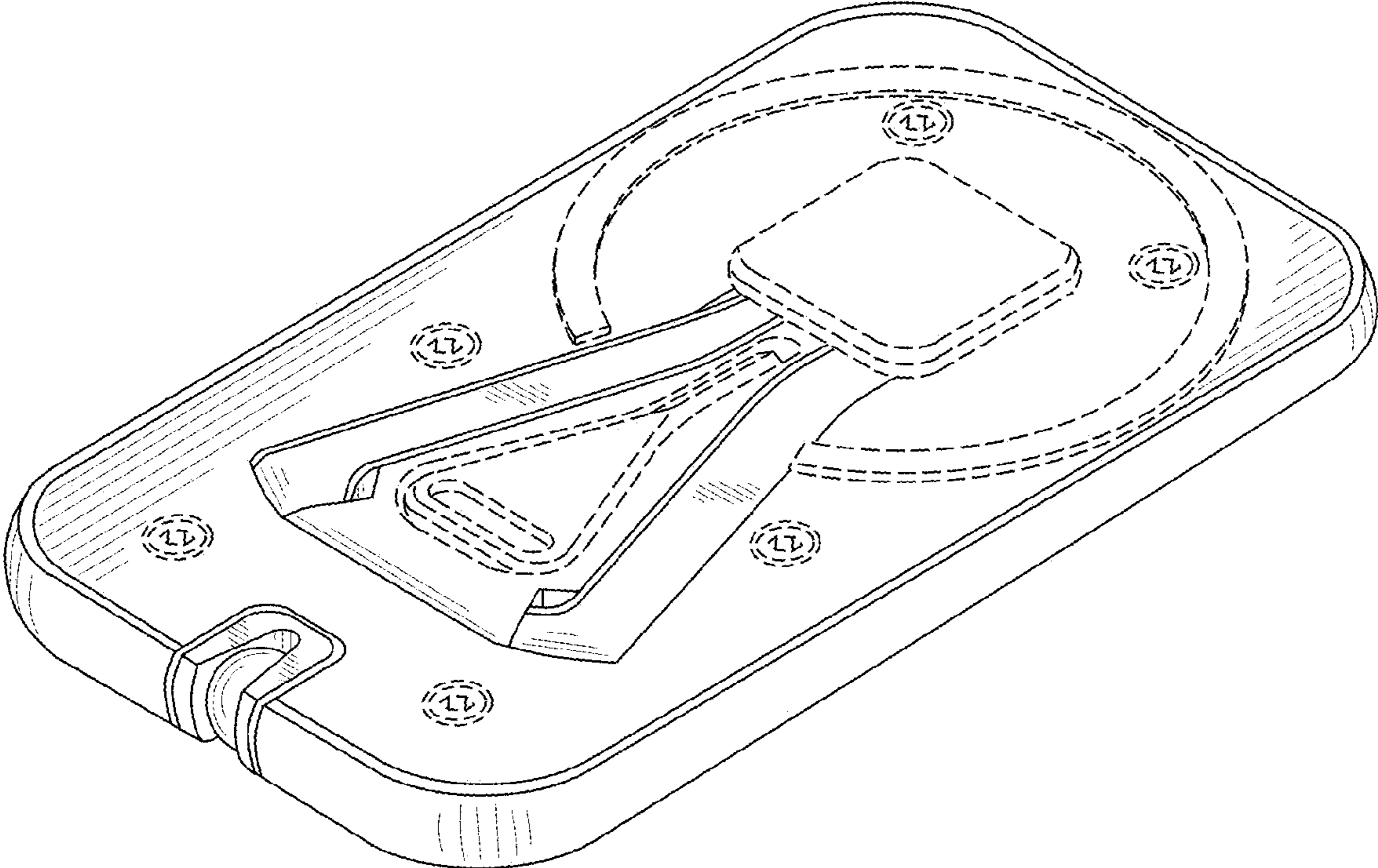


FIG. 1

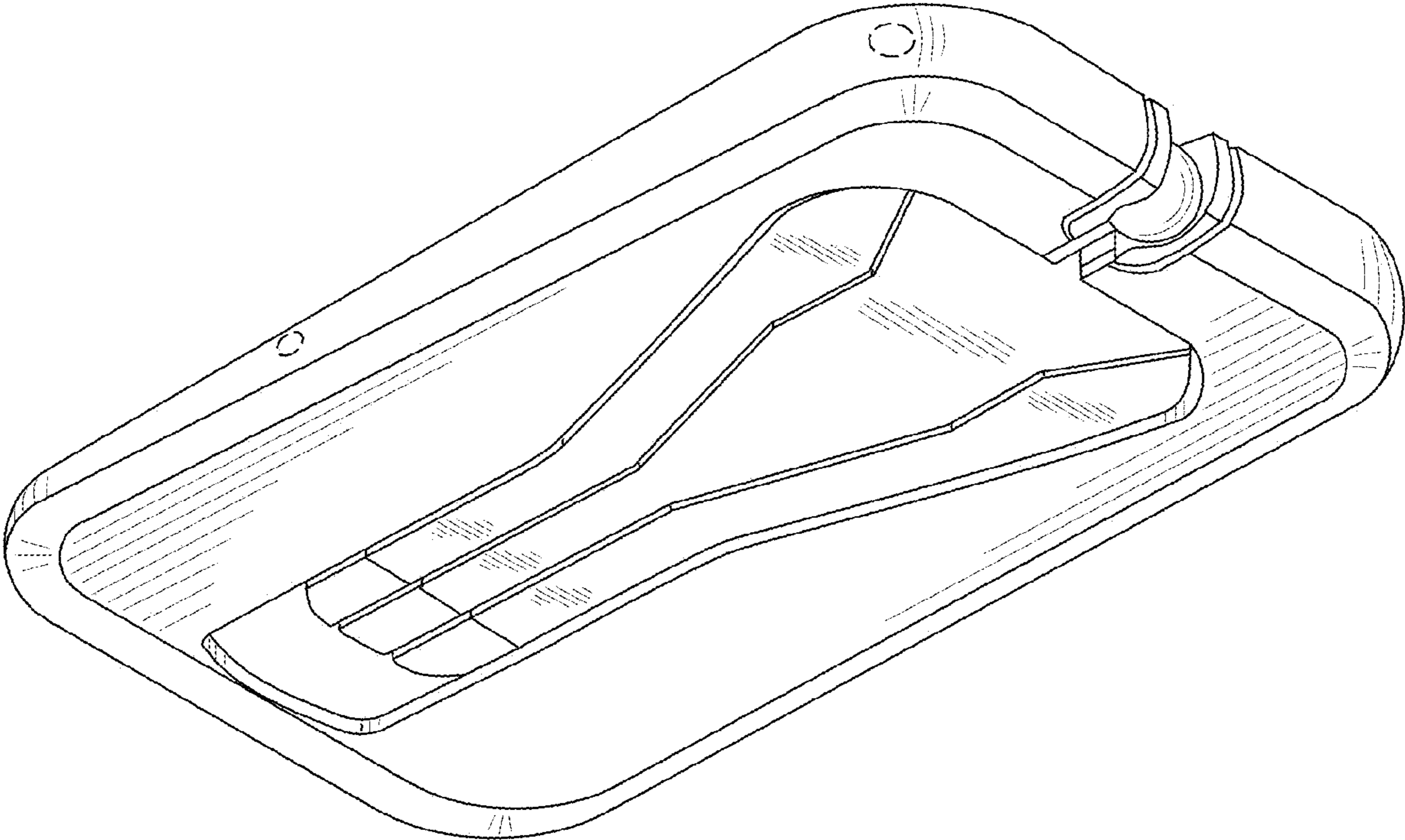


FIG. 2

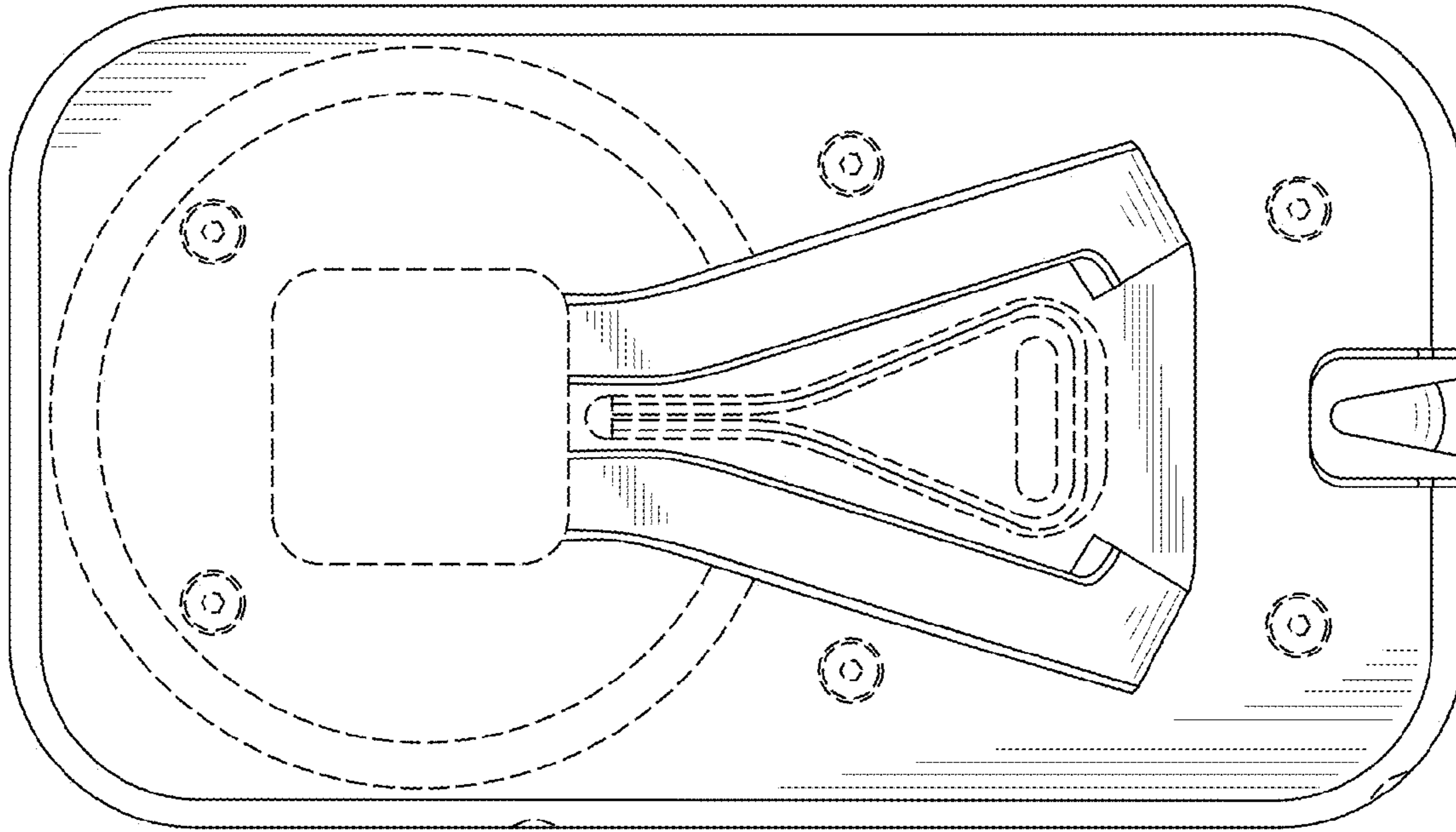


FIG. 4

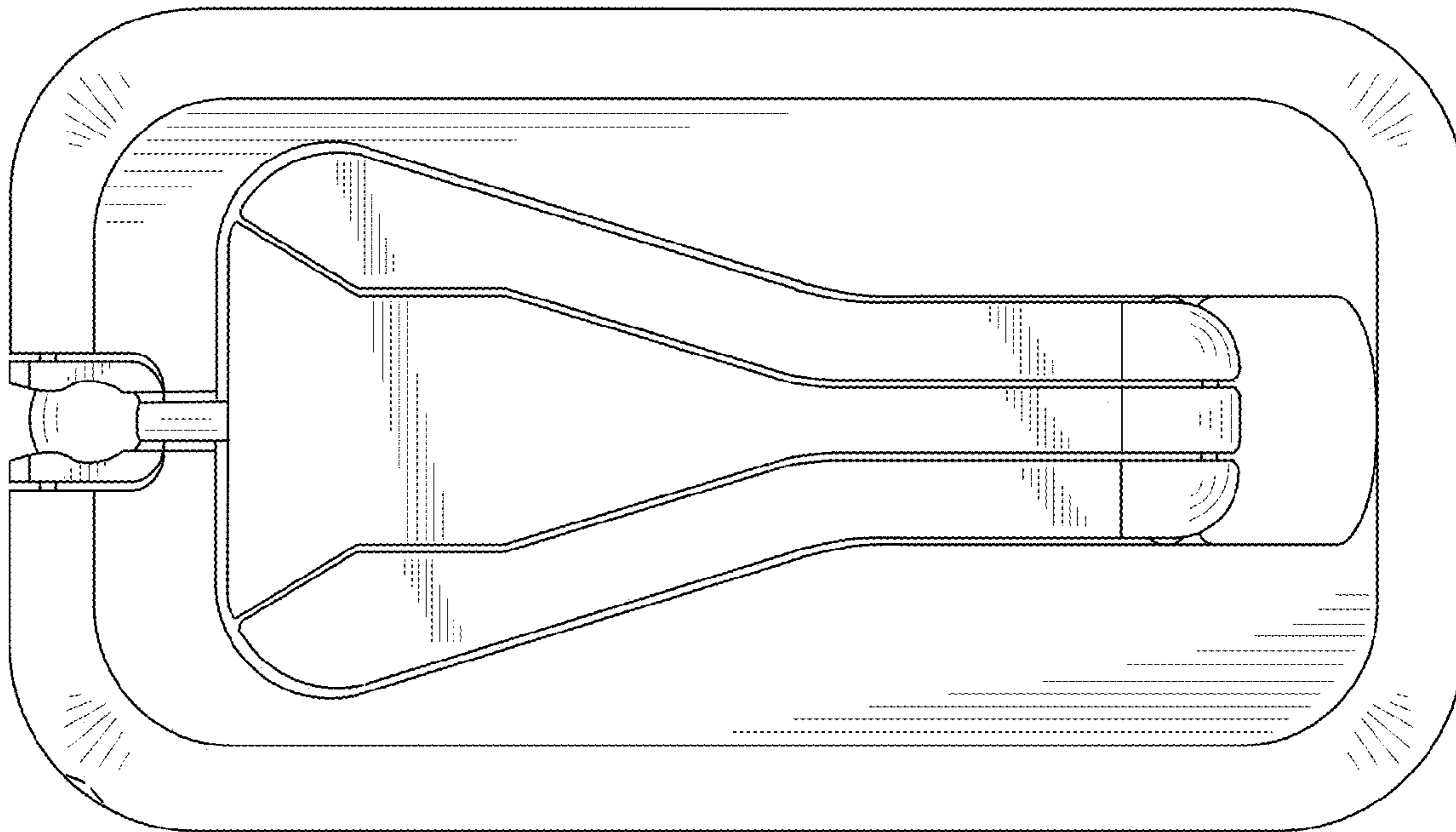


FIG. 3

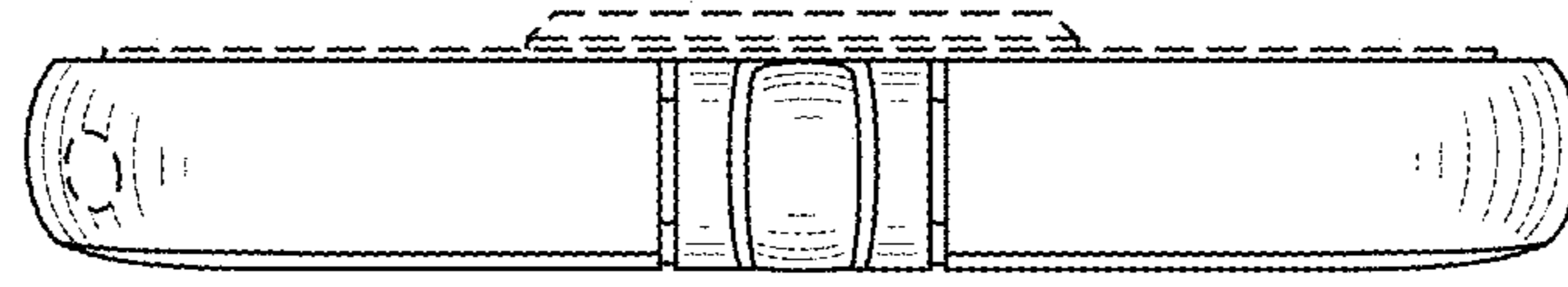


FIG. 5

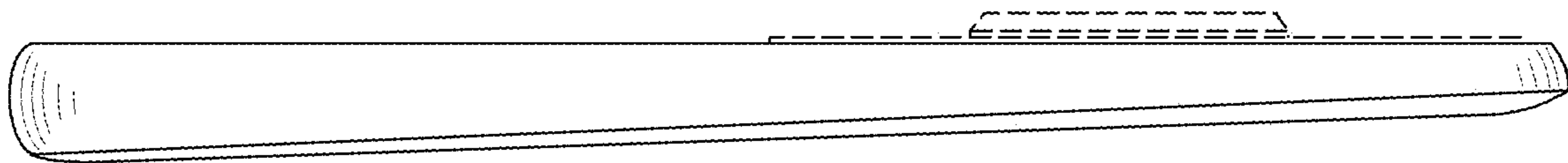


FIG. 6

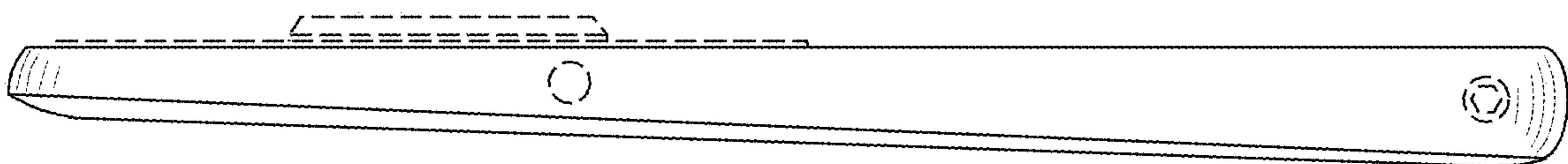


FIG. 7

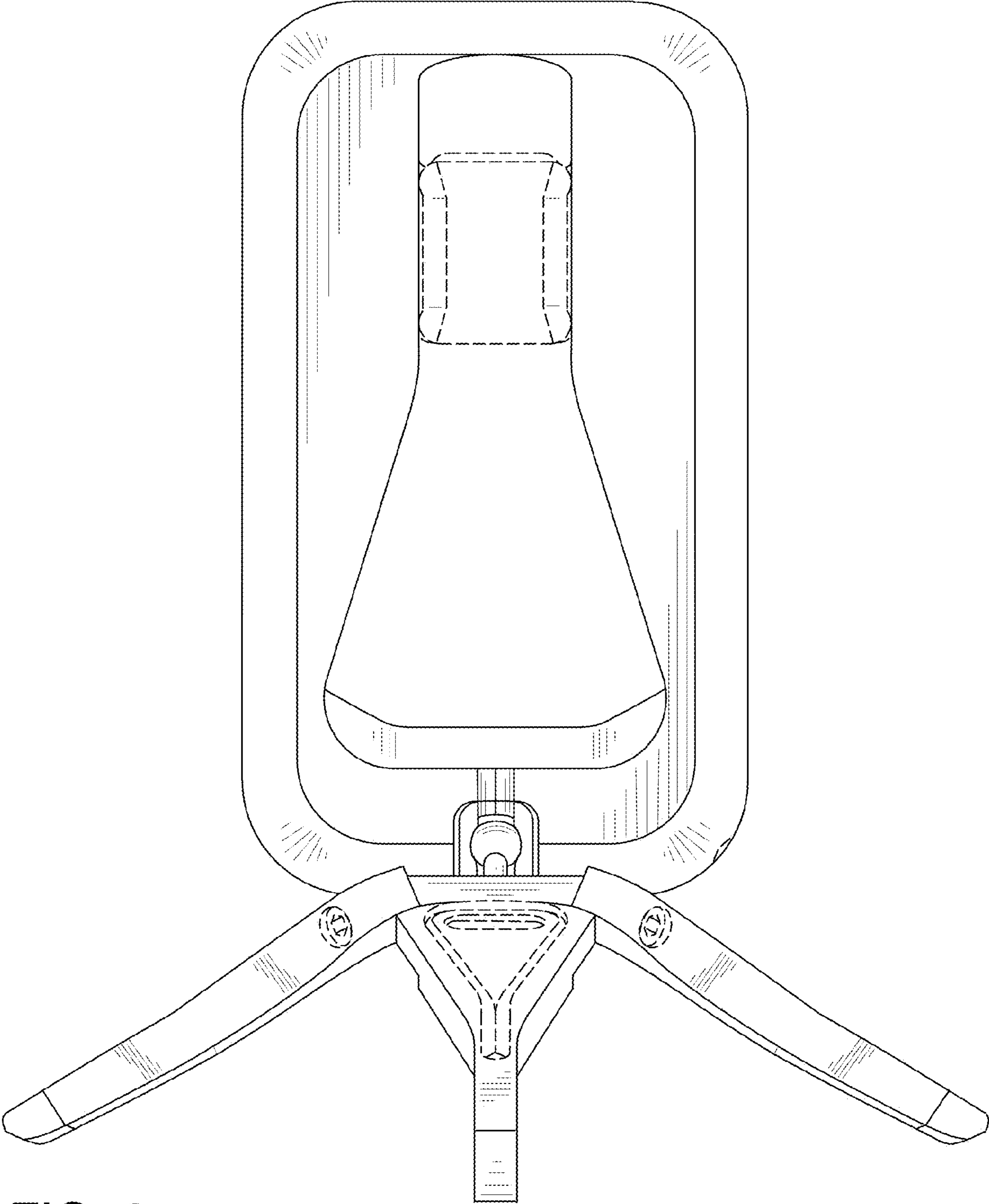


FIG. 8

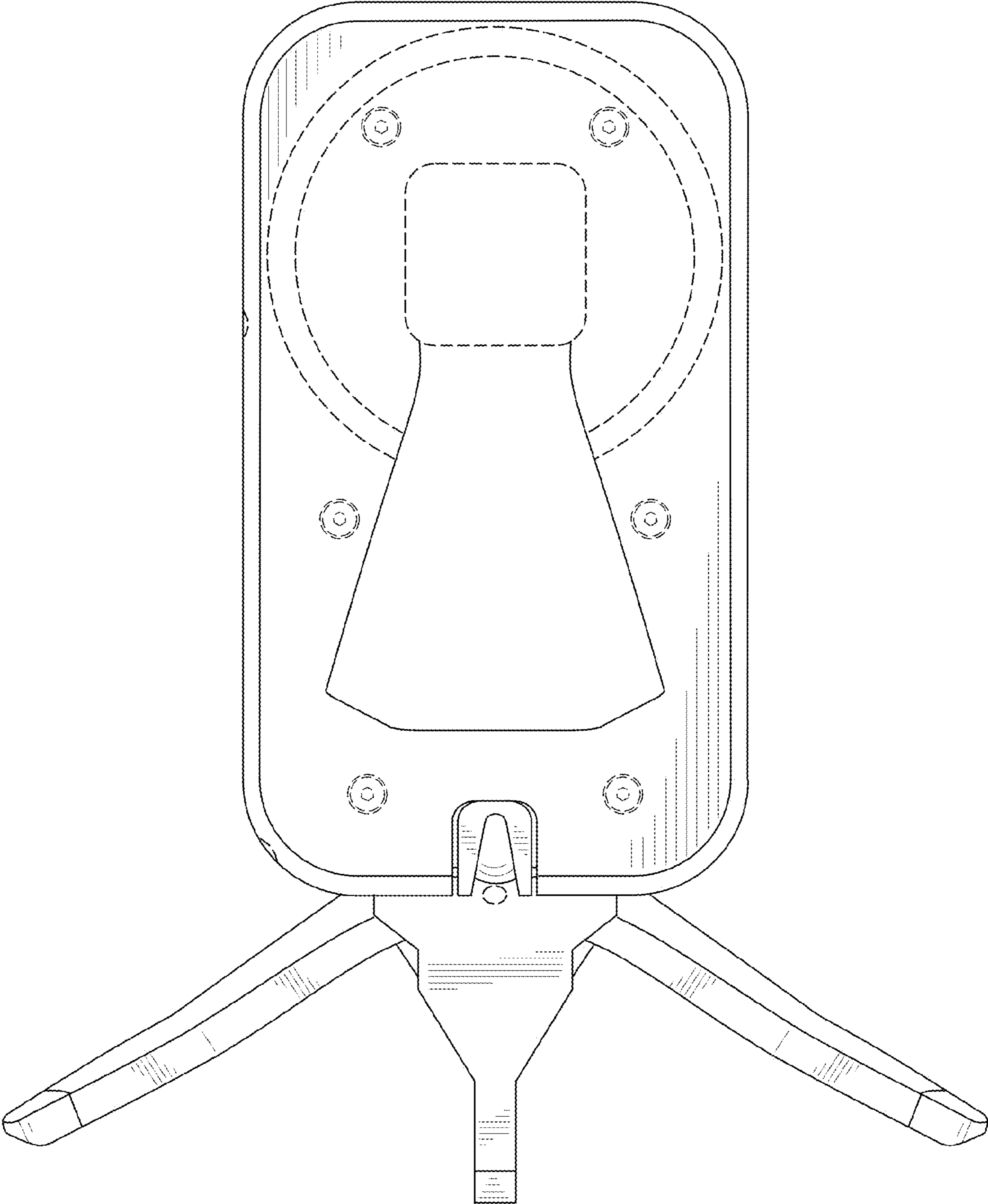


FIG. 9

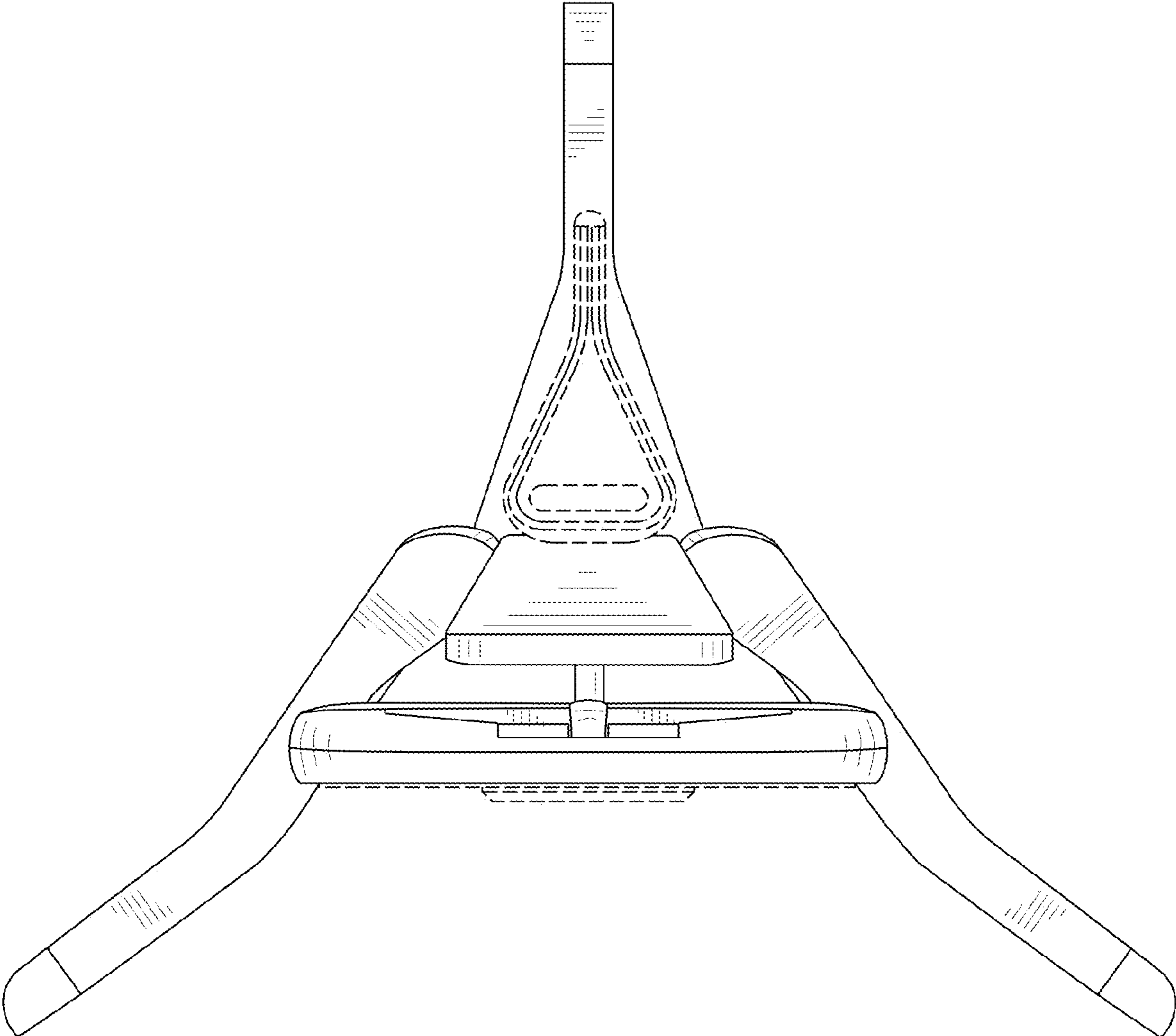


FIG. 10

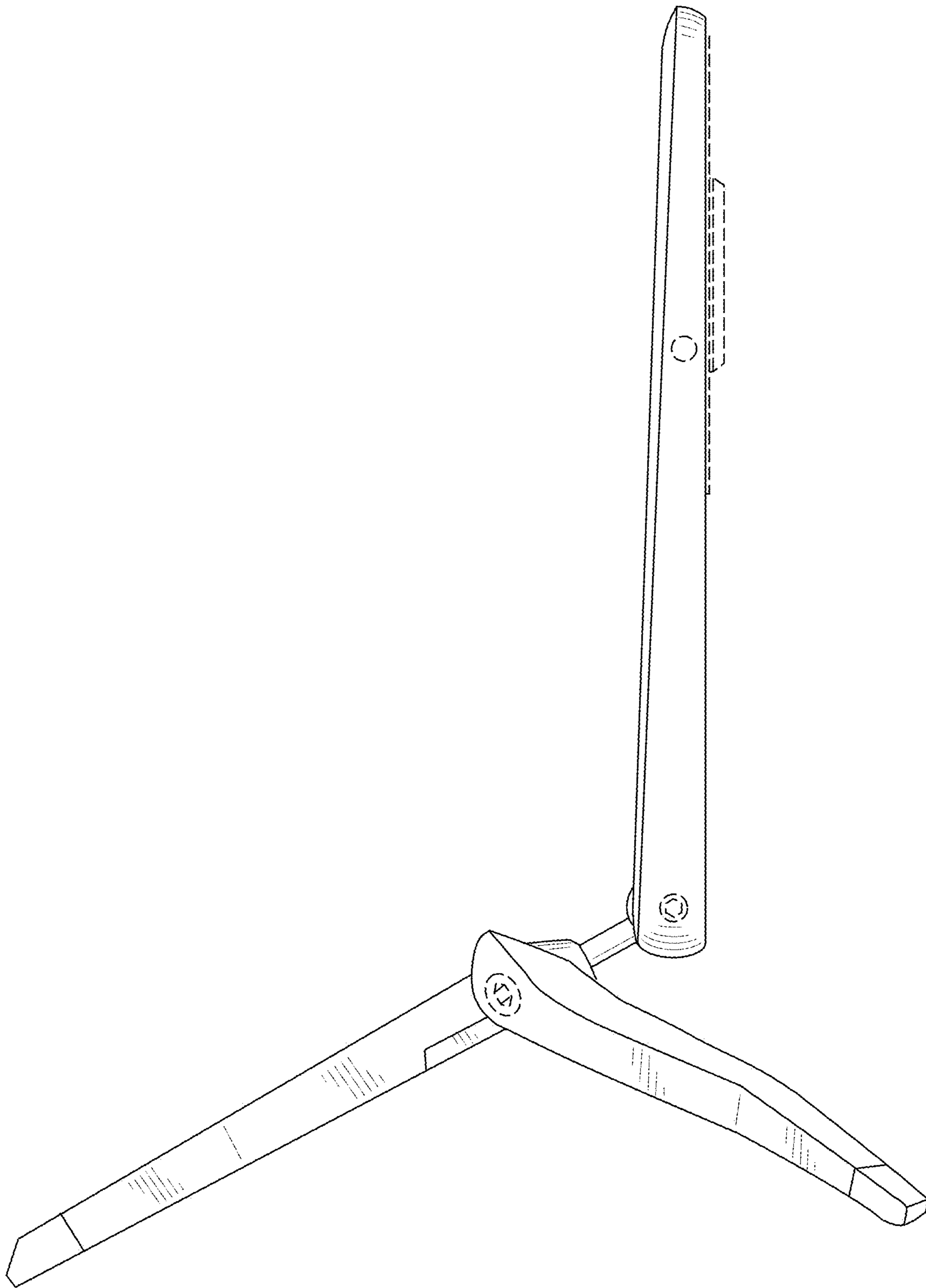


FIG. 11

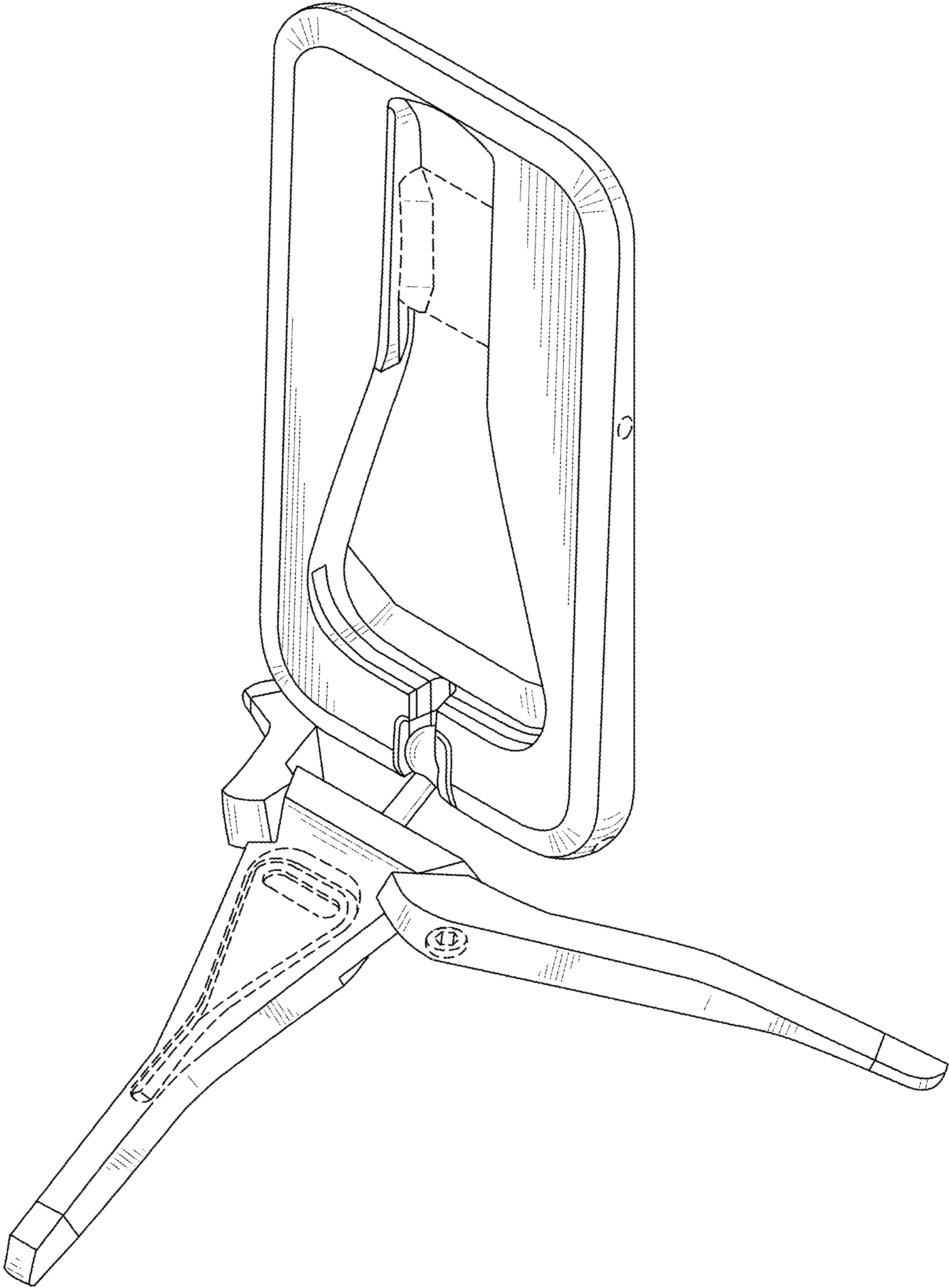


FIG. 12

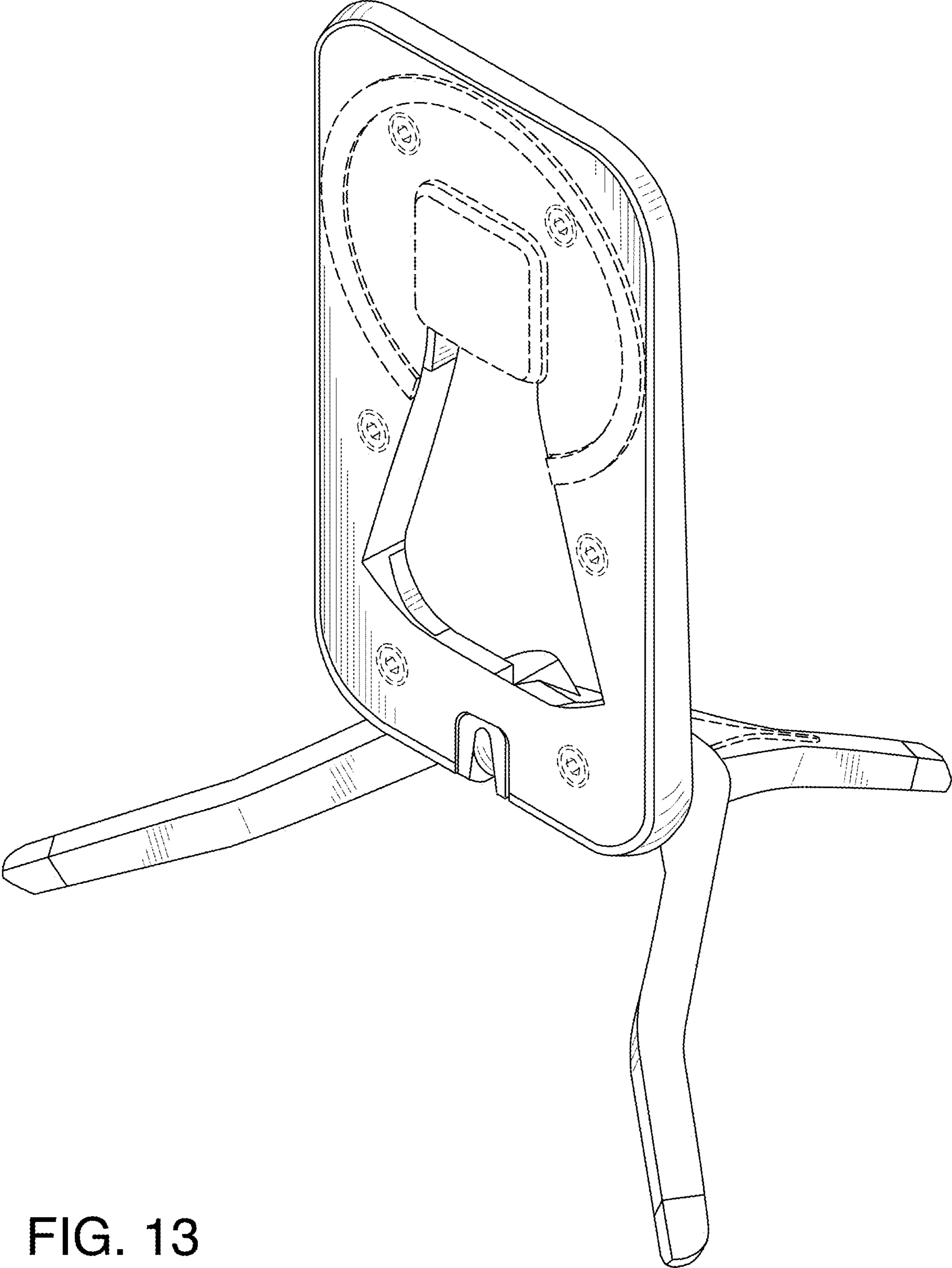


FIG. 13