



US00D945410S

(12) **United States Design Patent** (10) **Patent No.:** **US D945,410 S**
Tang (45) **Date of Patent:** **** *Mar. 8, 2022**

(54) **MOBILE PHONE HOLDER**
(71) Applicant: **Shenzhen ODIER Sports Technology co., Limited**, Shenzhen (CN)
(72) Inventor: **Guanfu Tang**, Shenzhen (CN)
(73) Assignee: **SHENZHEN ODIER SPORTS TECHNOLOGY CO., LIMITED**, Shenzhen (CN)
(*) Notice: This patent is subject to a terminal disclaimer.
(**) Term: **15 Years**
(21) Appl. No.: **29/769,713**
(22) Filed: **Feb. 8, 2021**
(30) **Foreign Application Priority Data**
Nov. 12, 2020 (CN) 202030685861.4
(51) **LOC (13) Cl.** **14-99**
(52) **U.S. Cl.**
USPC **D14/253**
(58) **Field of Classification Search**
USPC D14/251-253, 224, 224.1, 432-434, 447, D14/451, 452; D12/415, 426.1, 114, 223; D16/242, 244, 245; D10/74; D3/218; D13/108
CPC B60R 11/00; B60R 11/02; B60R 11/0241; B60R 11/0252; B60R 2011/0003; B60R 2011/0005; B60R 2011/0008; H04M 1/04; H04B 1/3877; A45F 2200/0516; A45F 2200/0525; H05K 5/02; H05K 5/0204; H05K 7/00; F16M 13/02; F16M 13/022; F16M 11/00; F16M 11/04; F16M 11/041; F16M 11/06
See application file for complete search history.

(56) **References Cited**
U.S. PATENT DOCUMENTS
D627,771 S * 11/2010 Smith D14/253
D690,690 S * 10/2013 Wikel D14/253
D693,802 S * 11/2013 Wikel D14/253
D711,867 S * 8/2014 Harris D14/253
D721,074 S * 1/2015 Harris D14/253
D772,859 S * 11/2016 Alesi D14/253
D840,994 S * 2/2019 Balmer D14/253
D840,995 S * 2/2019 Balmer D14/253
D860,915 S * 9/2019 Tang D12/407
D873,205 S * 1/2020 MacNeil D12/415
D877,043 S * 3/2020 MacNeil D12/415
D881,111 S * 4/2020 Lee D12/415
D934,233 S * 10/2021 Iverson D14/253
2014/0042285 A1 * 2/2014 Carnevali F16M 13/00 248/316.4

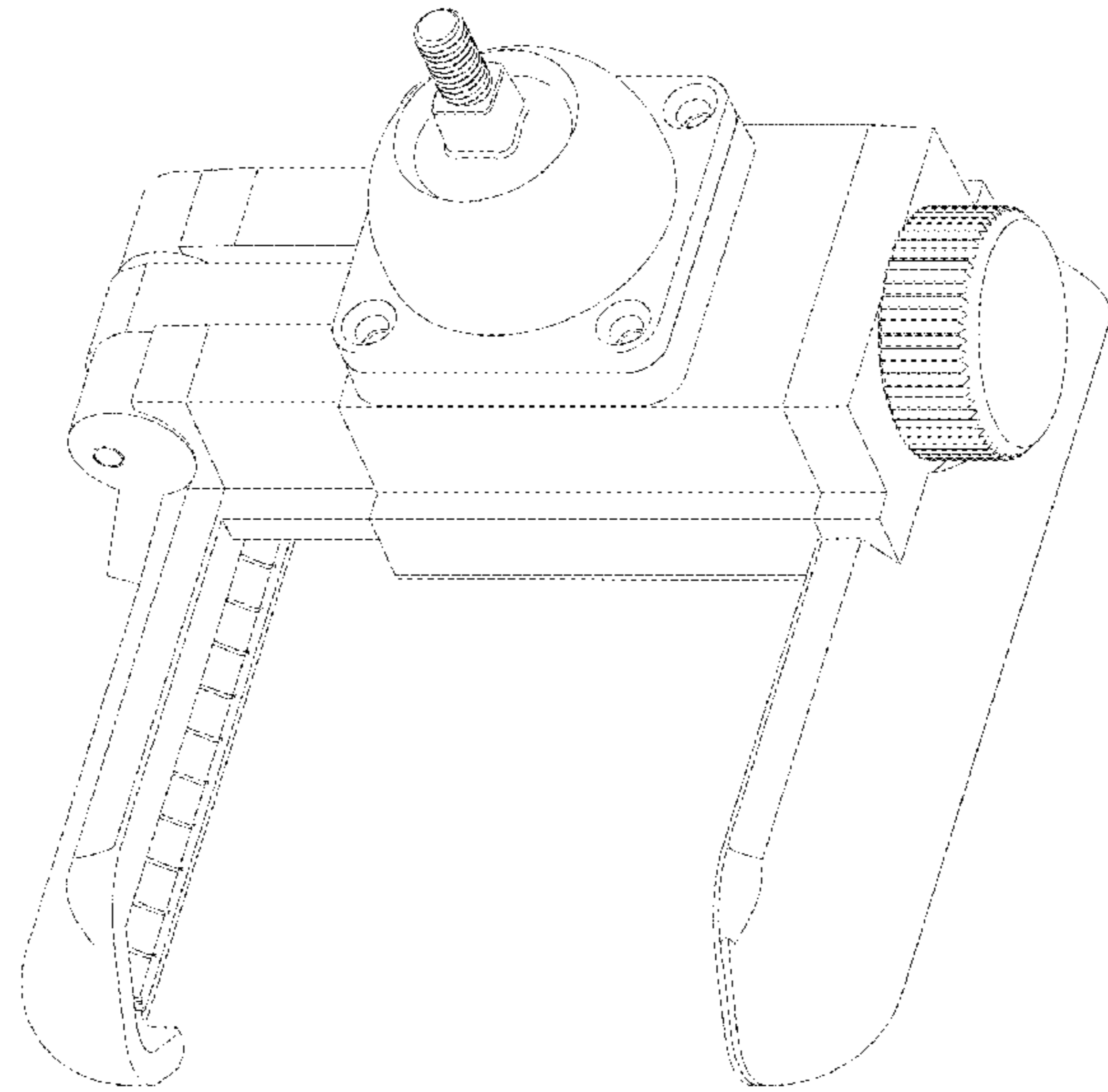
FOREIGN PATENT DOCUMENTS
EM 008088231-0011 * 8/2020
EM 008406466-0002 * 1/2021
GB 9007902663-0001 * 5/2020
GB 9008307474-0001 * 12/2020

* cited by examiner
Primary Examiner — Rebekah A Caruso
(74) *Attorney, Agent, or Firm* — Scully Scott Murphy & Presser

(57) **CLAIM**
The ornamental design for a mobile phone holder, as shown.
DESCRIPTION

FIG. 1 is a perspective view of a mobile phone holder showing my new design;
FIG. 2 is a front view thereof;
FIG. 3 is a rear view thereof;
FIG. 4 is a left side view thereof;
FIG. 5 is a right side view thereof;
FIG. 6 is a top view thereof; and,
FIG. 7 is a bottom view thereof.

1 Claim, 7 Drawing Sheets



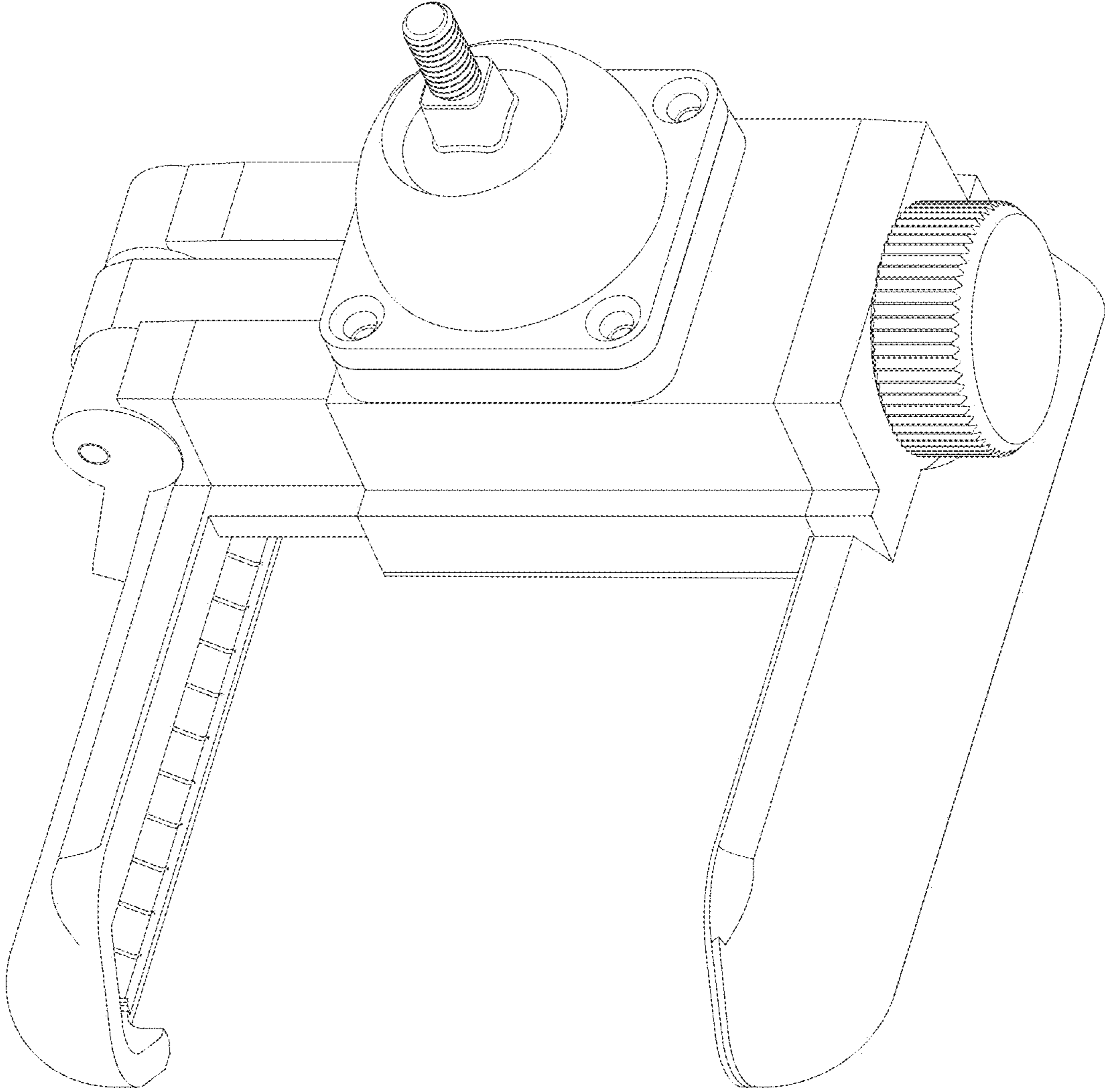


FIG. 1

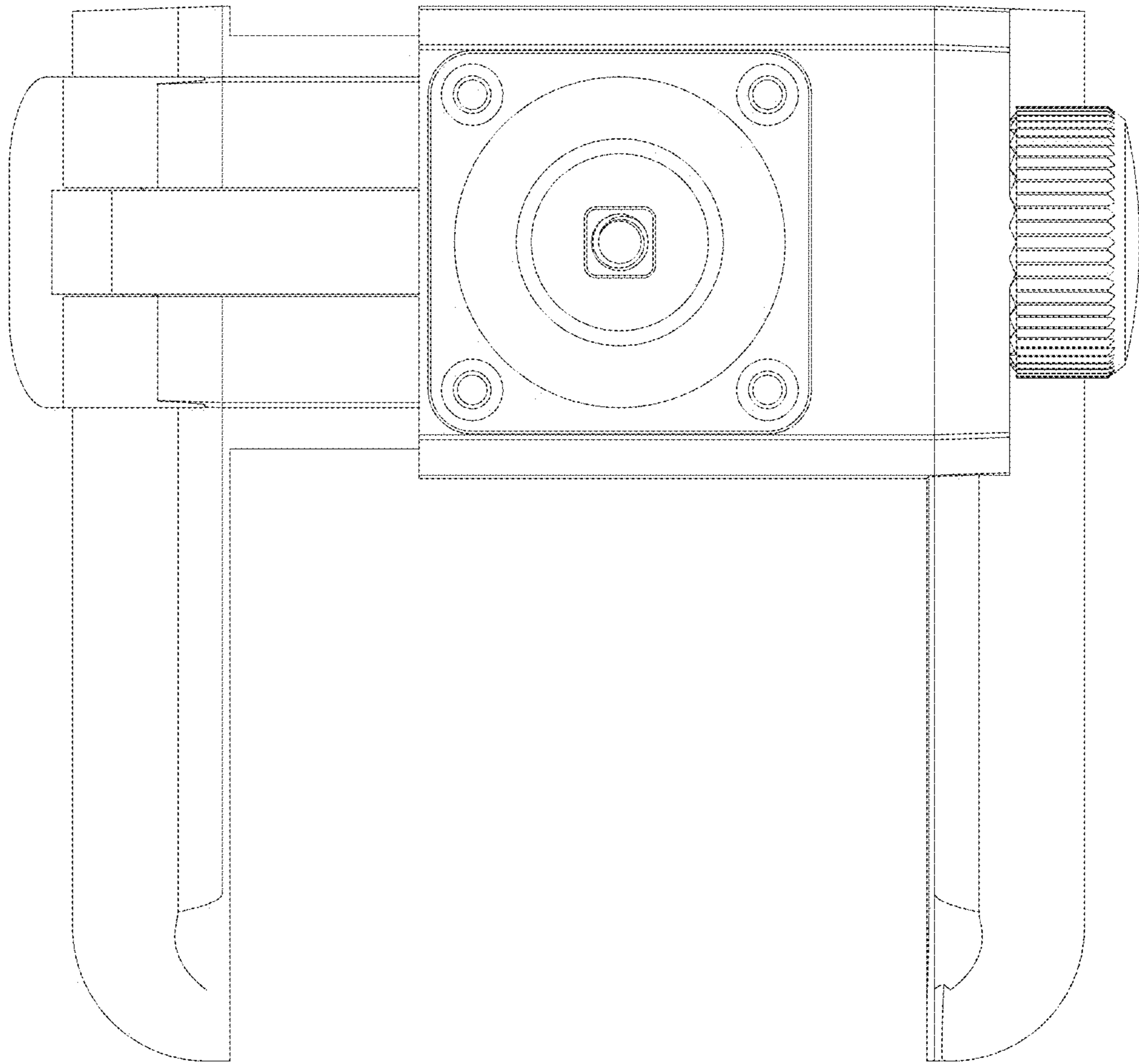


FIG. 2

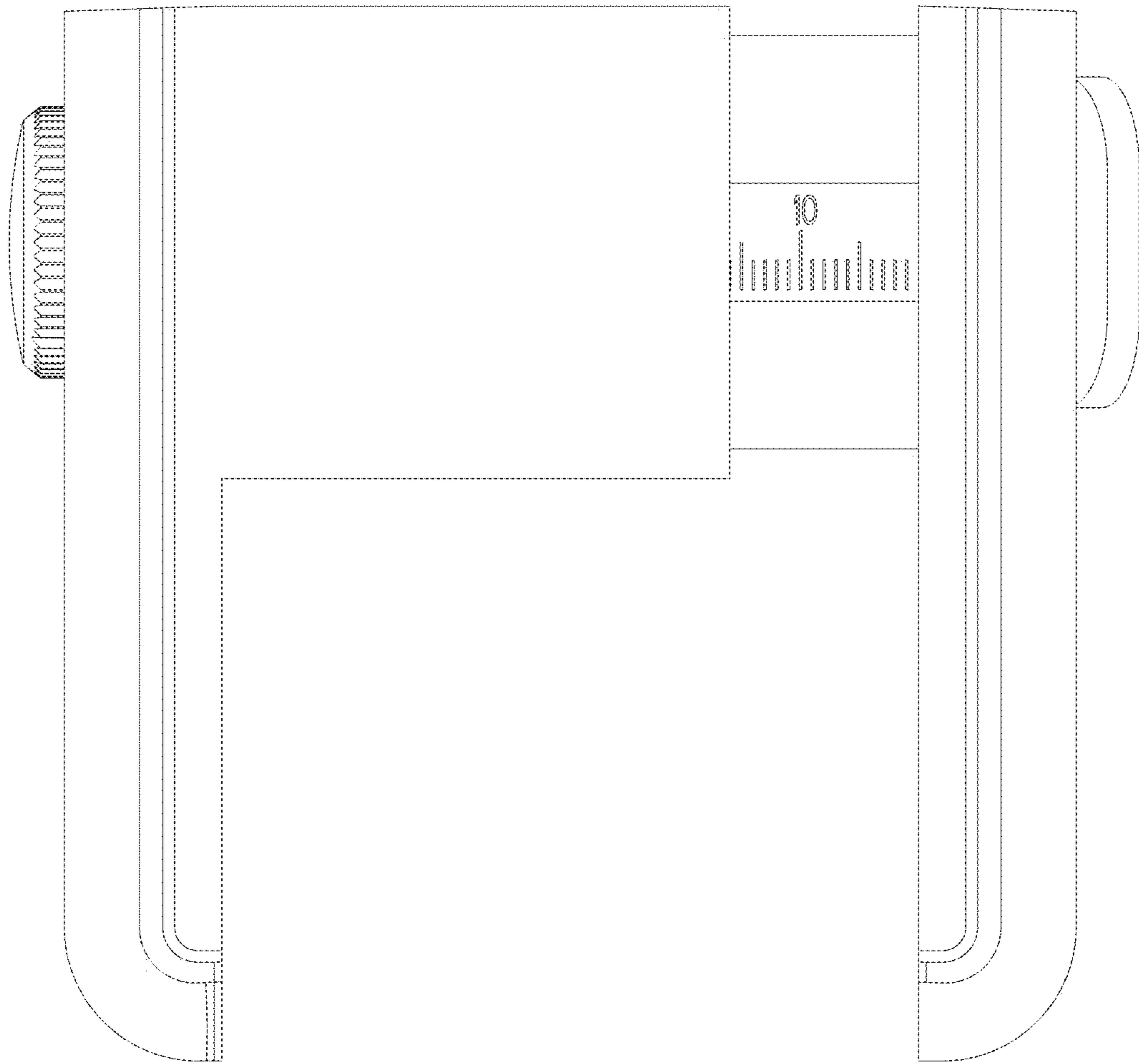


FIG. 3

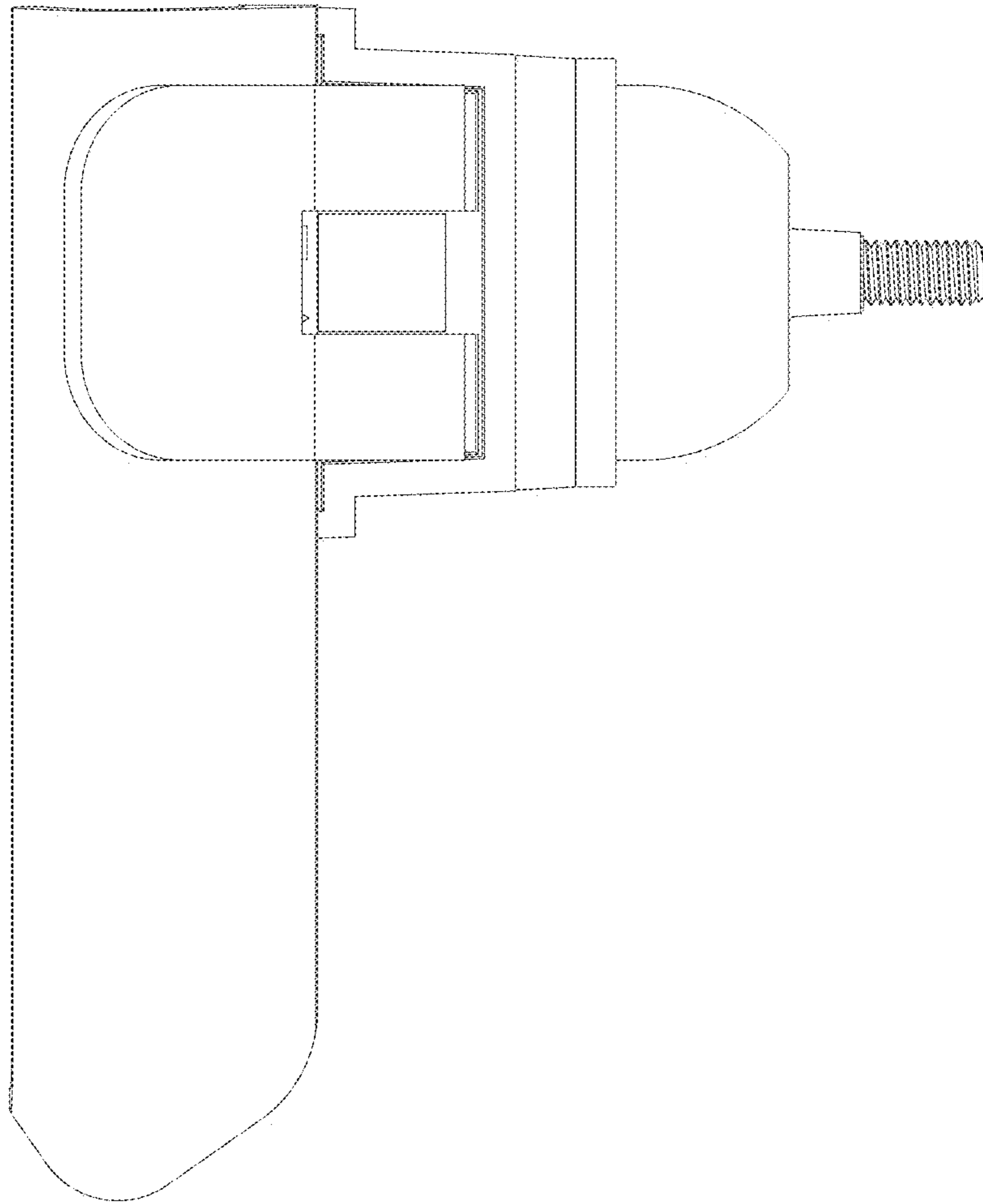


FIG. 4

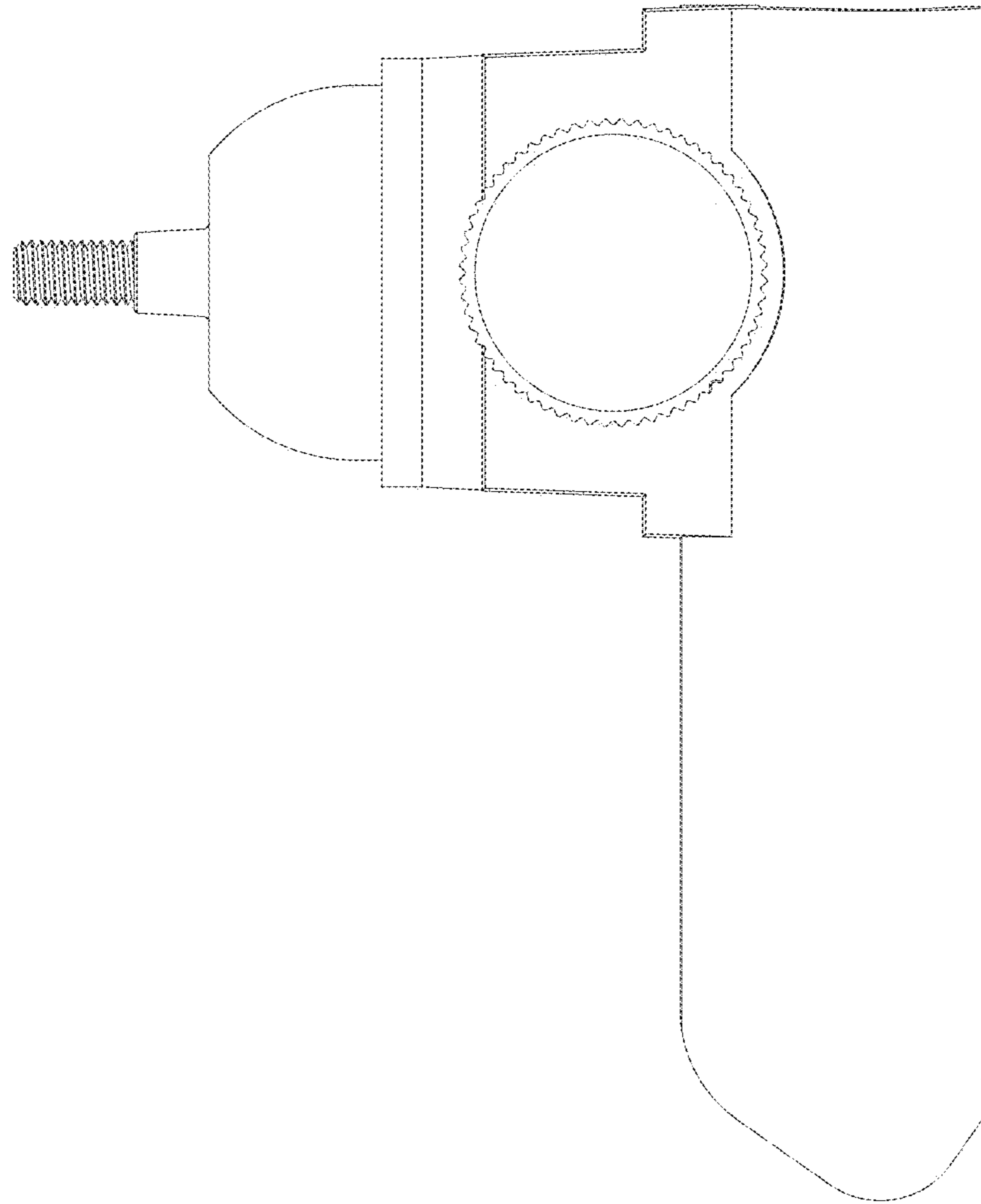


FIG. 5

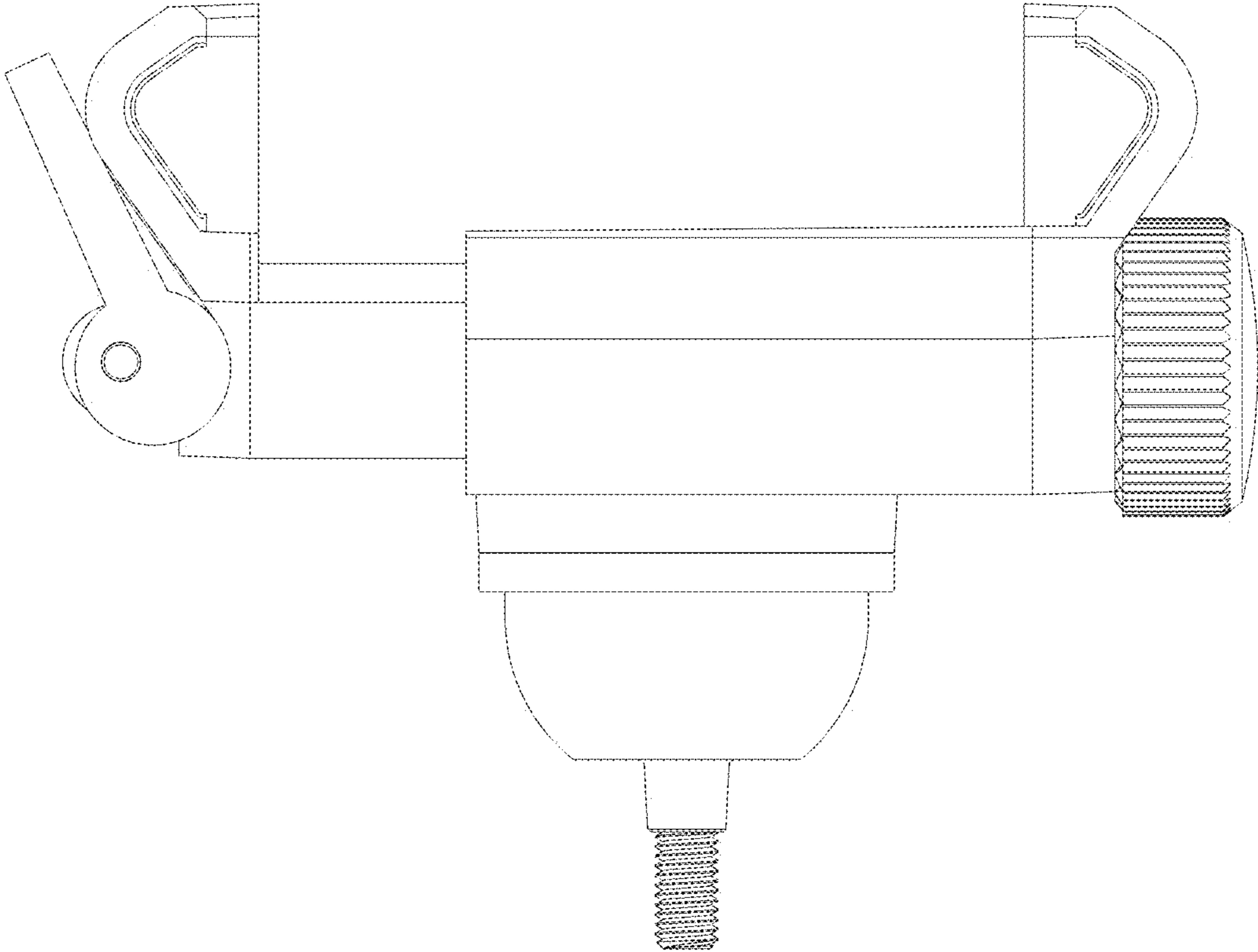


FIG. 6

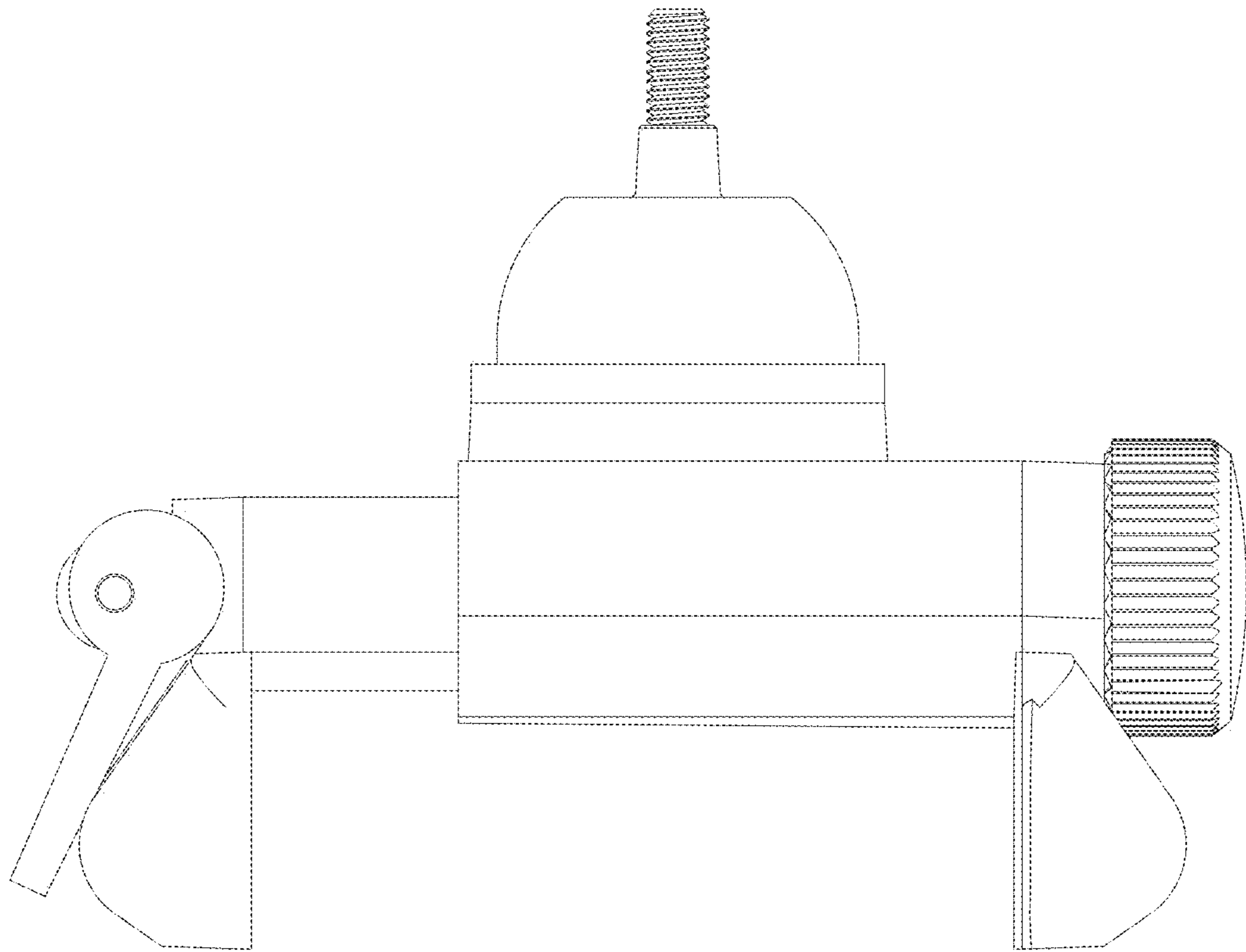


FIG. 7