



US00D945408S

(12) **United States Design Patent** (10) **Patent No.:** **US D945,408 S**
Andre (45) **Date of Patent:** **** Mar. 8, 2022**

(54) **PAPER STAND FOR MOBILE PHONES**

(71) Applicant: **Olivier Andre**, Wanchai (HK)

(72) Inventor: **Olivier Andre**, Wanchai (HK)

(73) Assignee: **INTERMED ASIA LIMITED**, Hong Kong (HK)

(**) Term: **15 Years**

(21) Appl. No.: **29/714,375**

(22) Filed: **Nov. 22, 2019**

(30) **Foreign Application Priority Data**

May 23, 2019 (CN) 201930287694.5

(51) **LOC (13) Cl.** **14-03**

(52) **U.S. Cl.**
USPC **D14/251**; D14/447

(58) **Field of Classification Search**
USPC D14/217, 224, 224.1, 238.1, 250–254, D14/299, 432–434, 439, 440, 447, 451, D14/452, 458, 483; D12/114, 223, D12/415–426, 426.1; D3/201, 207, 208, D3/212, 215, 218, 232, 247; D16/206, D16/208, 218, 219, 237, 242, 243, 245; D8/306, 307, 349, 352, 363, 401; D2/624, 625, 627, 635, 632, 999; D7/602, 619.1, 620, 701; D6/553, 512
CPC ... A45C 11/00; A45F 5/00; A45F 5/10; A45F 5/02; A46B 5/00; A47G 23/0216; F16M 11/00; F16M 11/04; F16M 11/06; F16M 11/2021; F16M 11/38; F16M 11/046; F16M 11/08; F16M 11/16; F16M 11/041; F16M 11/2014; F16M 11/2007; H04M 1/02; H04M 1/04; H04M 1/11; H04M 1/15; H04M 1/026; H04M 1/0266; H04M 1/0281; H04M 1/0202; H04M 1/6041; H04B

(Continued)

(56) **References Cited**

U.S. PATENT DOCUMENTS

D669,085 S * 10/2012 Coberly D14/447
D673,158 S * 12/2012 Yang D14/440

(Continued)

Primary Examiner — Ramzi Almatrahi

(74) *Attorney, Agent, or Firm* — Dentons Cohen & Grigsby P.C.

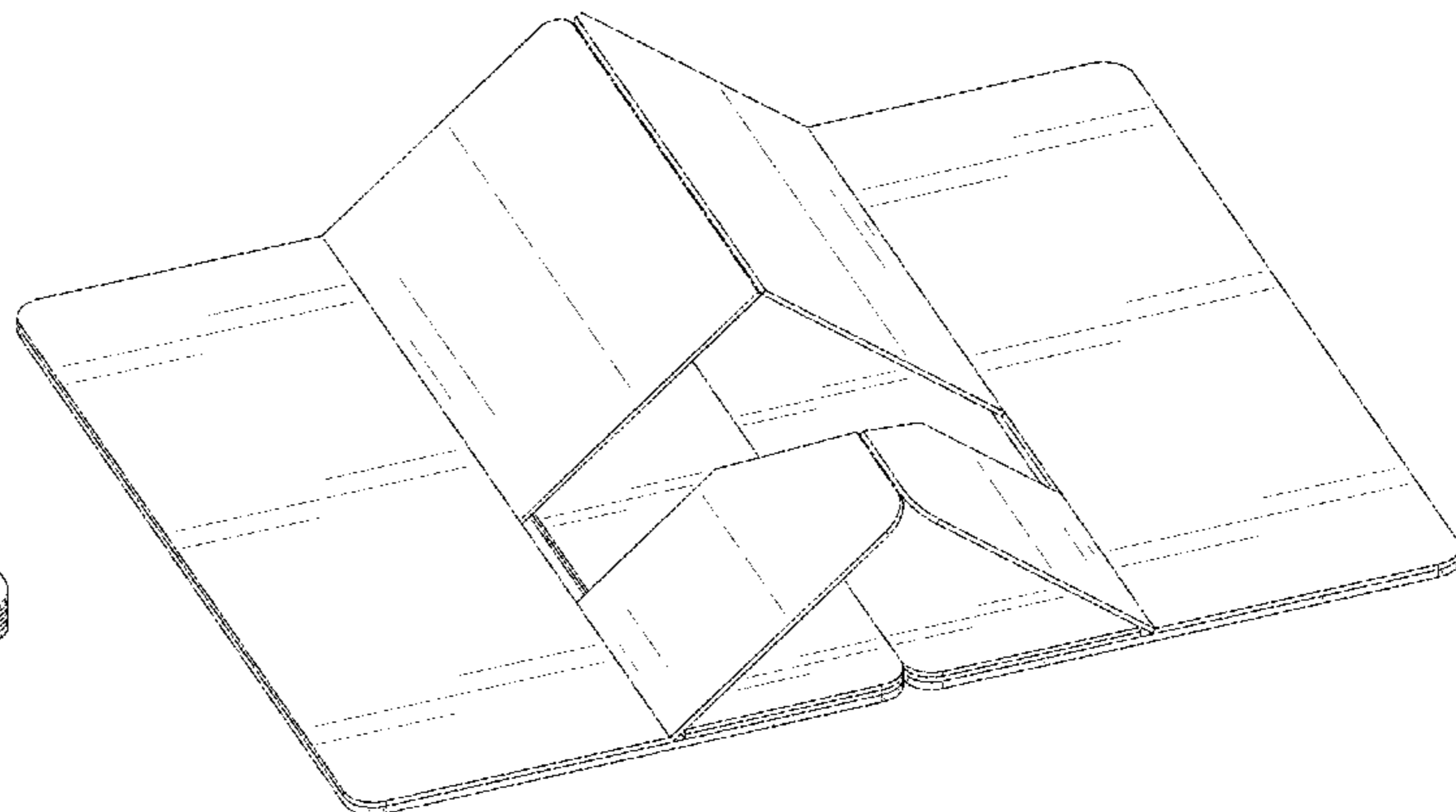
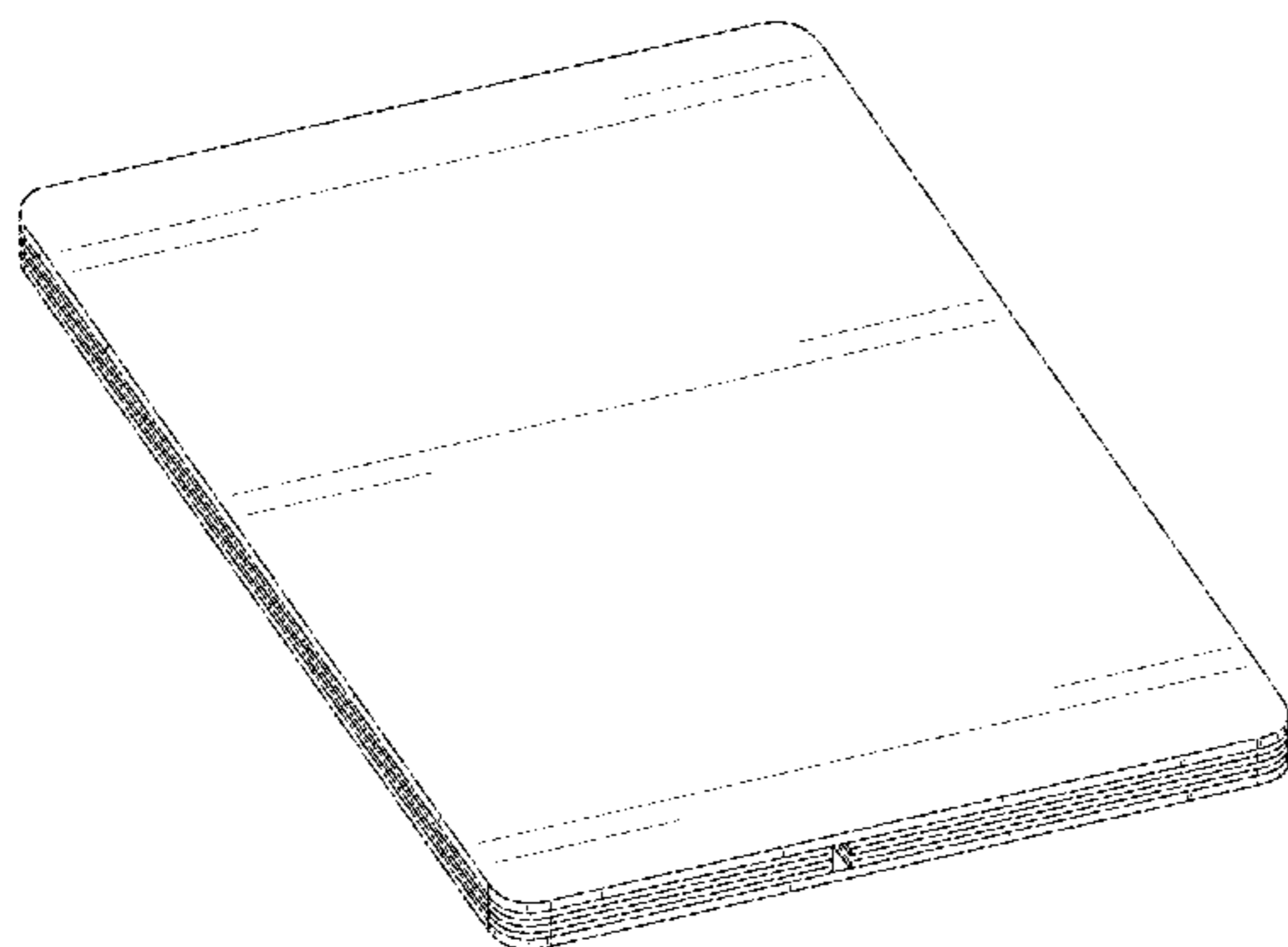
(57) **CLAIM**

An ornamental design for a paper stand for mobile phones, as described and shown in the drawings.

DESCRIPTION

FIG. 1 is a top perspective view of paper stand for mobile phones;
FIG. 2 is a right side elevation view thereof;
FIG. 3 is a left side elevation view thereof;
FIG. 4 is a front elevation view thereof;
FIG. 5 is a back elevation view thereof;
FIG. 6 is a top plan view thereof;
FIG. 7 is a bottom plan view thereof;
FIG. 8 is a top perspective view thereof, shown with the paper stand in a partially opened configuration;
FIG. 9 is a right side elevation view thereof;
FIG. 10 is a left side elevation view thereof;
FIG. 11 is a front elevation view thereof;
FIG. 12 is a back elevation view thereof;
FIG. 13 is a top plan view thereof;
FIG. 14 is a bottom plan view thereof;
FIG. 15 is a top perspective view thereof, shown with the paper stand in a fully opened configuration;
FIG. 16 is a right side elevation view thereof;
FIG. 17 is a left side elevation view thereof;
FIG. 18 is a front elevation view thereof;
FIG. 19 is a back elevation view thereof;
FIG. 20 is a top plan view thereof; and,
FIG. 21 is a bottom plan view thereof.

1 Claim, 19 Drawing Sheets



(58) **Field of Classification Search**

CPC 1/3877; H04B 1/3888; H04B 1/385; H05K
5/0204; G06F 1/1626

See application file for complete search history.

(56) **References Cited**

U.S. PATENT DOCUMENTS

D674,396	S	*	1/2013	Yang	D14/447
D676,452	S	*	2/2013	So	A45C 11/00 D14/447
D690,702	S	*	10/2013	Chung	D14/440
D697,069	S	*	1/2014	Tak	D14/447
8,640,864	B2	*	2/2014	Chen	G06F 1/1626 206/45.2
D723,040	S	*	2/2015	Kang	D14/440
D730,913	S	*	6/2015	Shao	D14/440
D805,519	S	*	12/2017	Diebel	A45C 11/00 D14/440
D842,862	S	*	3/2019	Ellis	D14/447
D879,108	S	*	3/2020	Fisk	D14/447
D912,679	S	*	3/2021	He	G06F 1/1626 D14/447

* cited by examiner

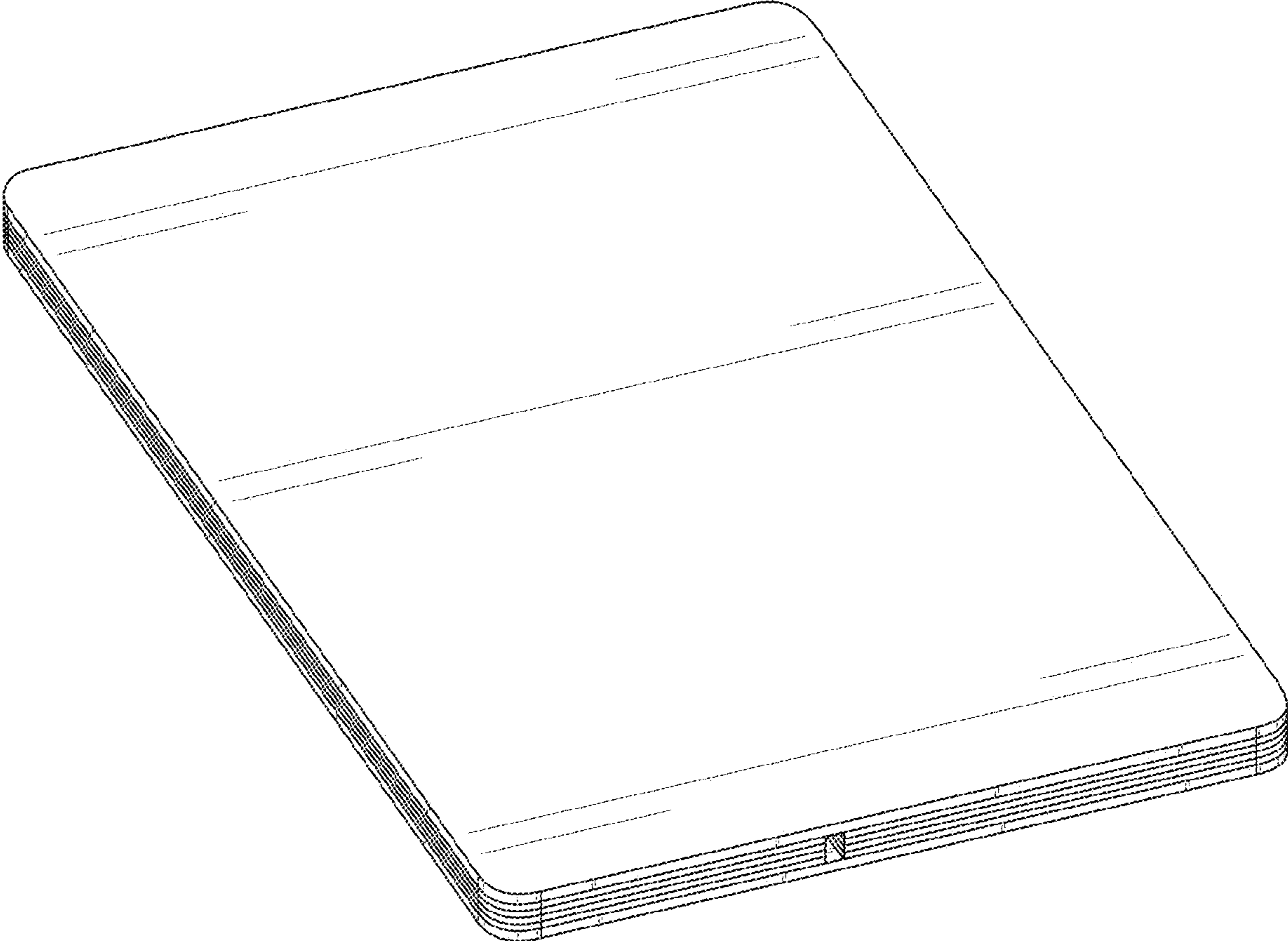


FIG. 1

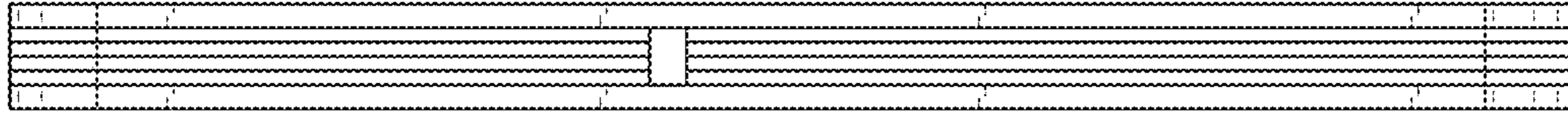


FIG. 2

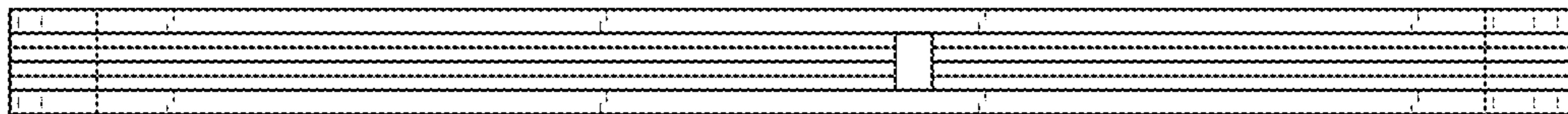


FIG. 3



FIG. 4

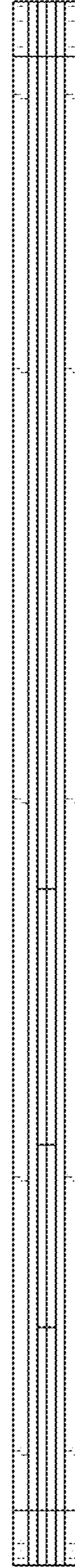


FIG. 5

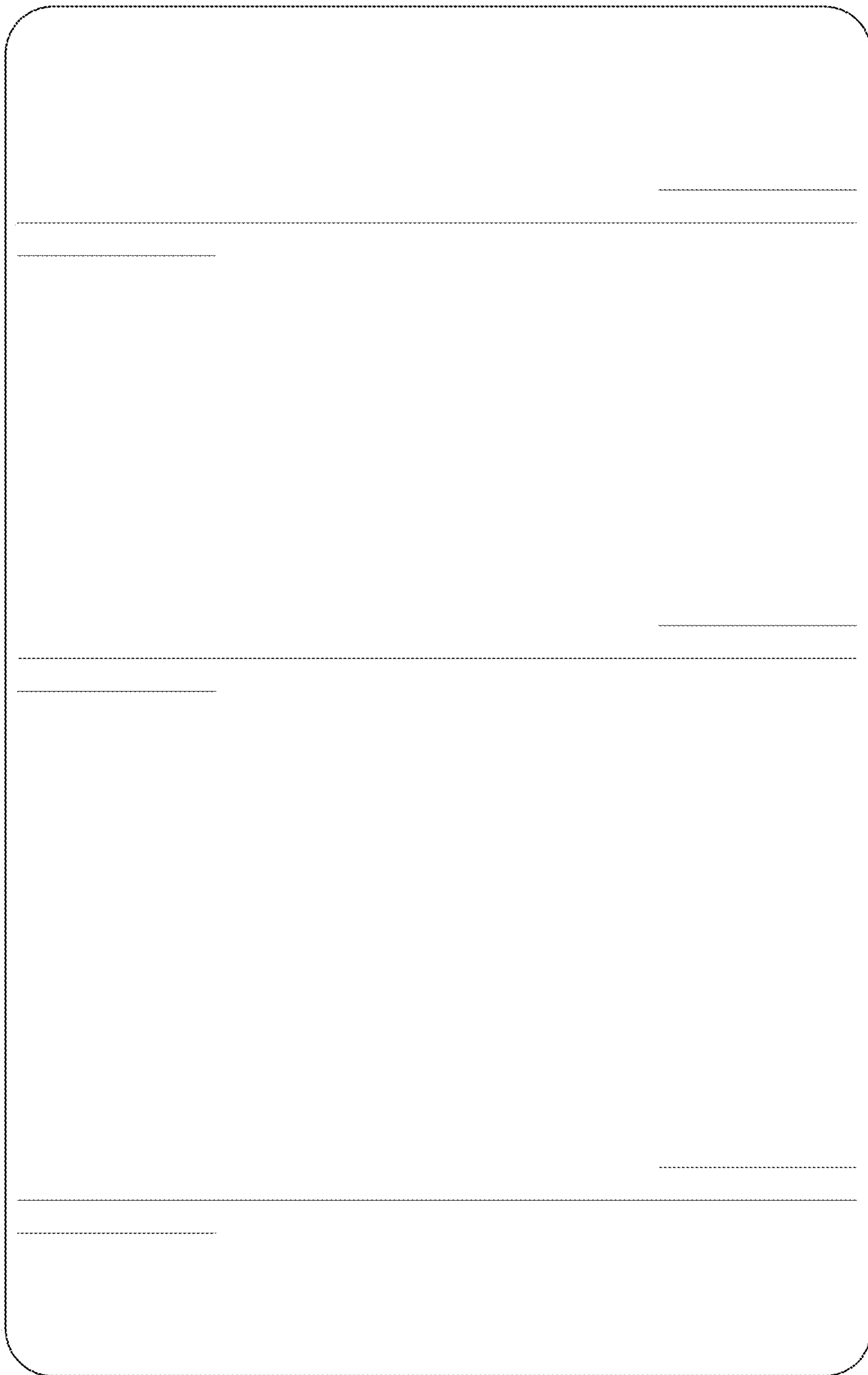


FIG. 6

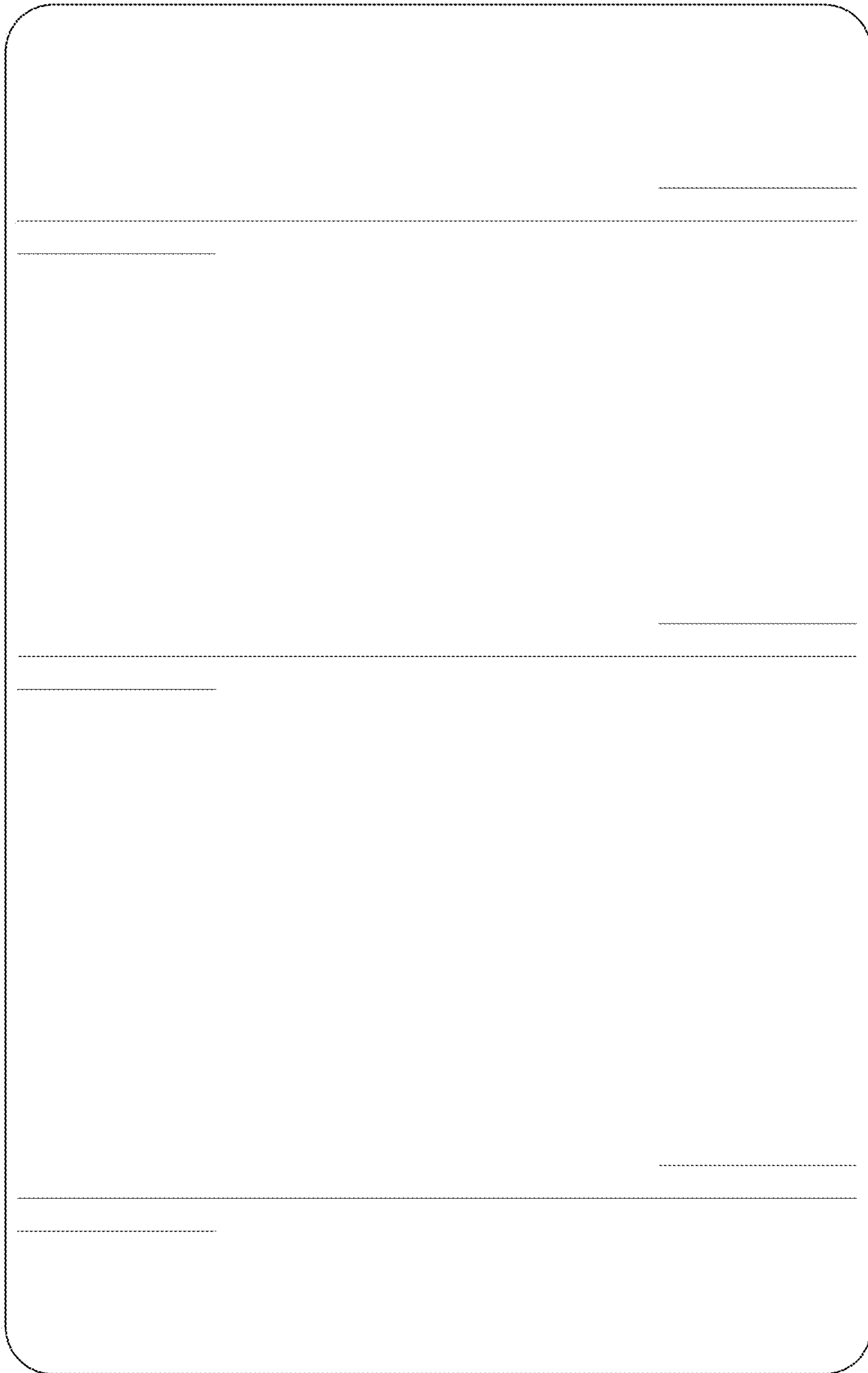


FIG. 7

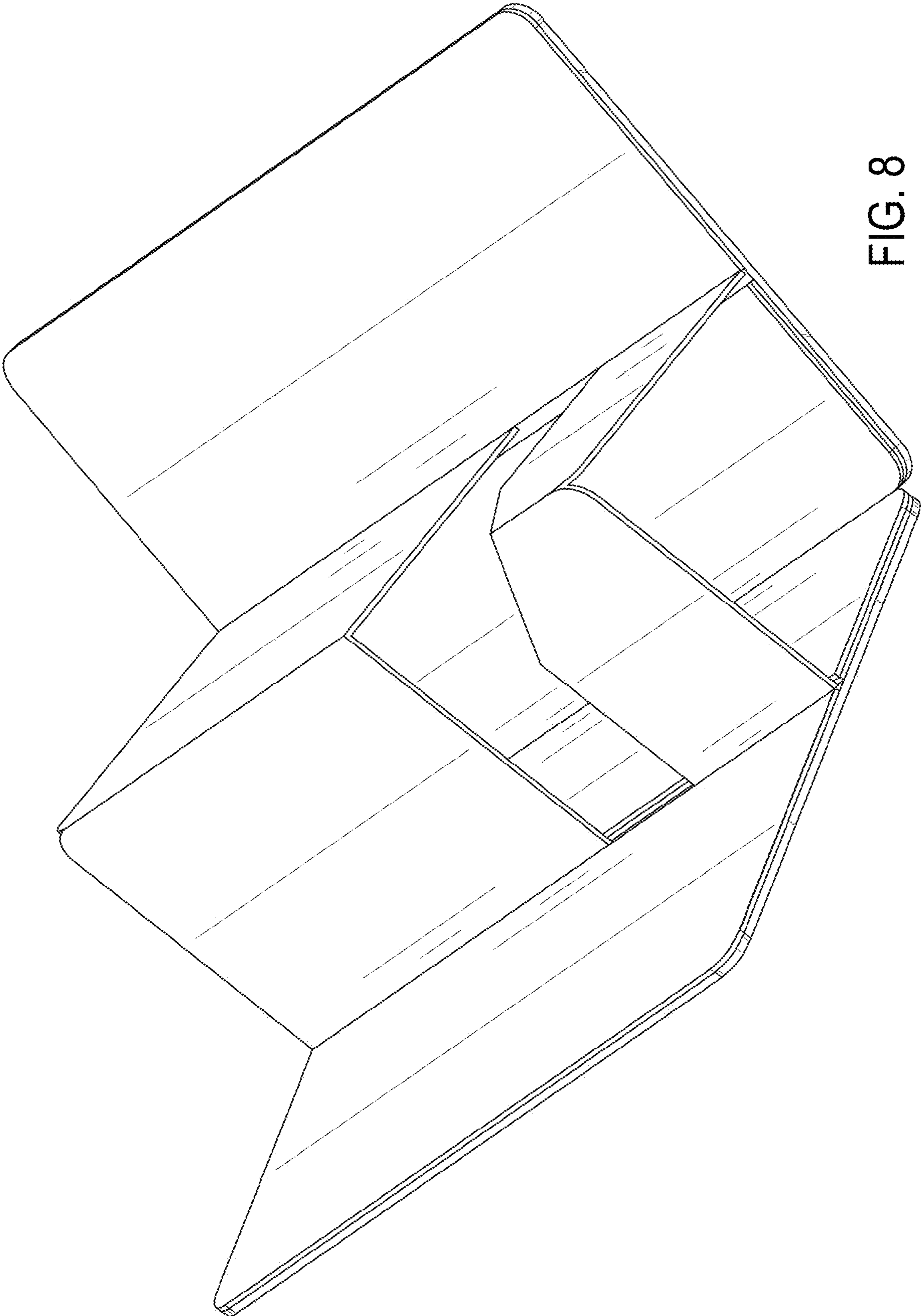


FIG. 8

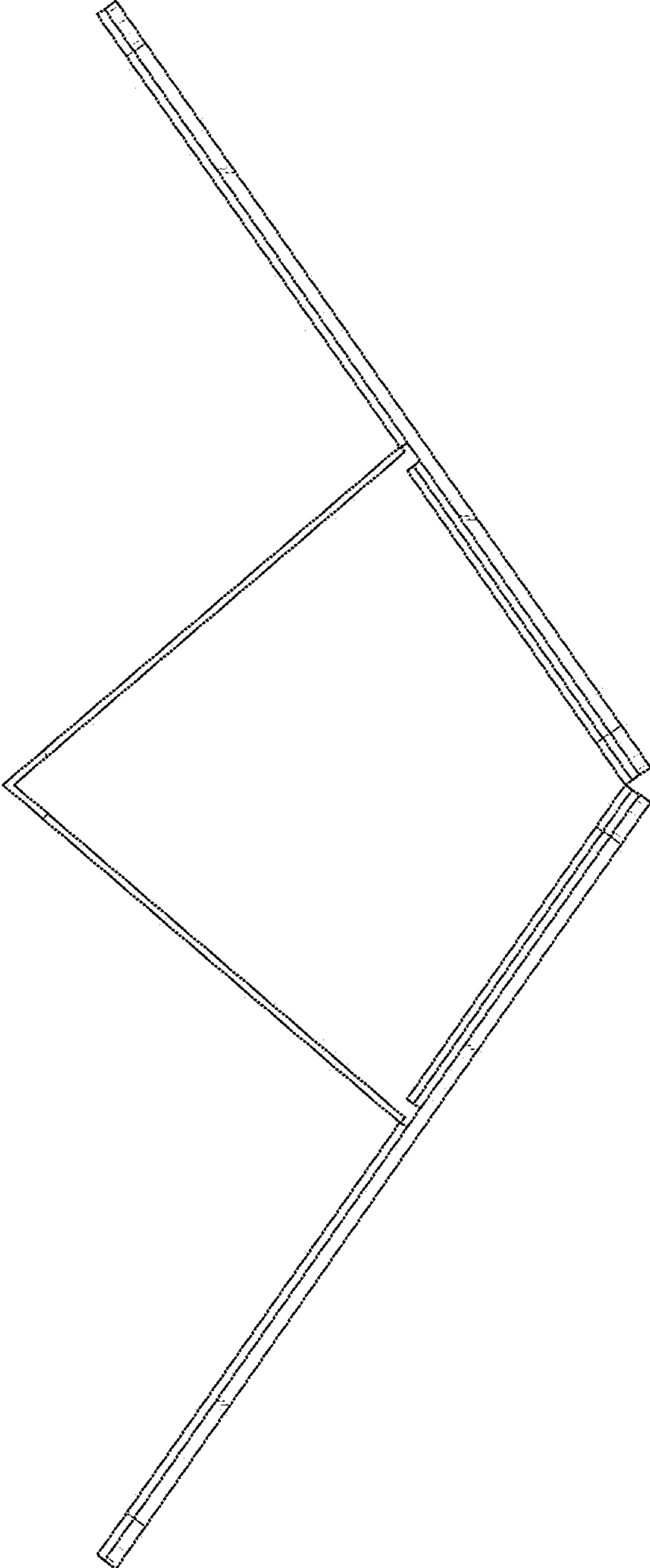


FIG. 9

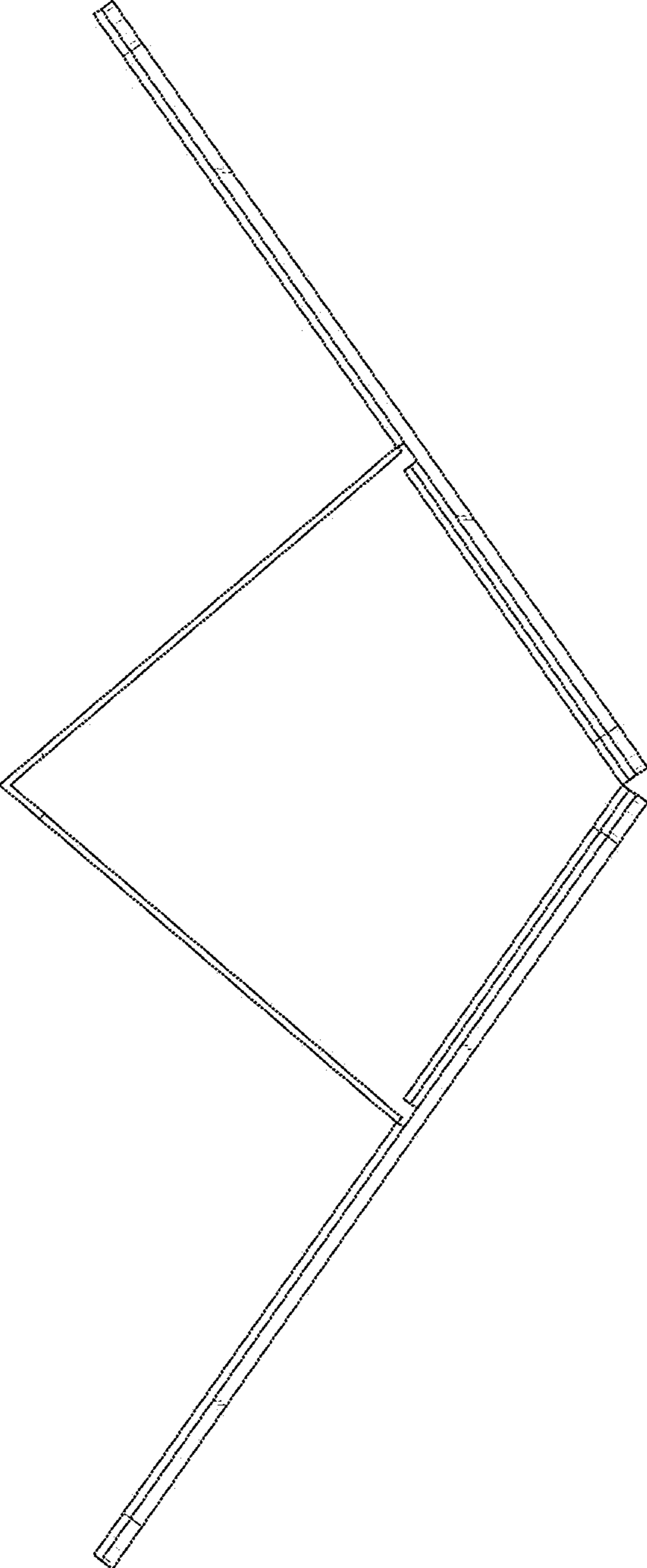


FIG. 10

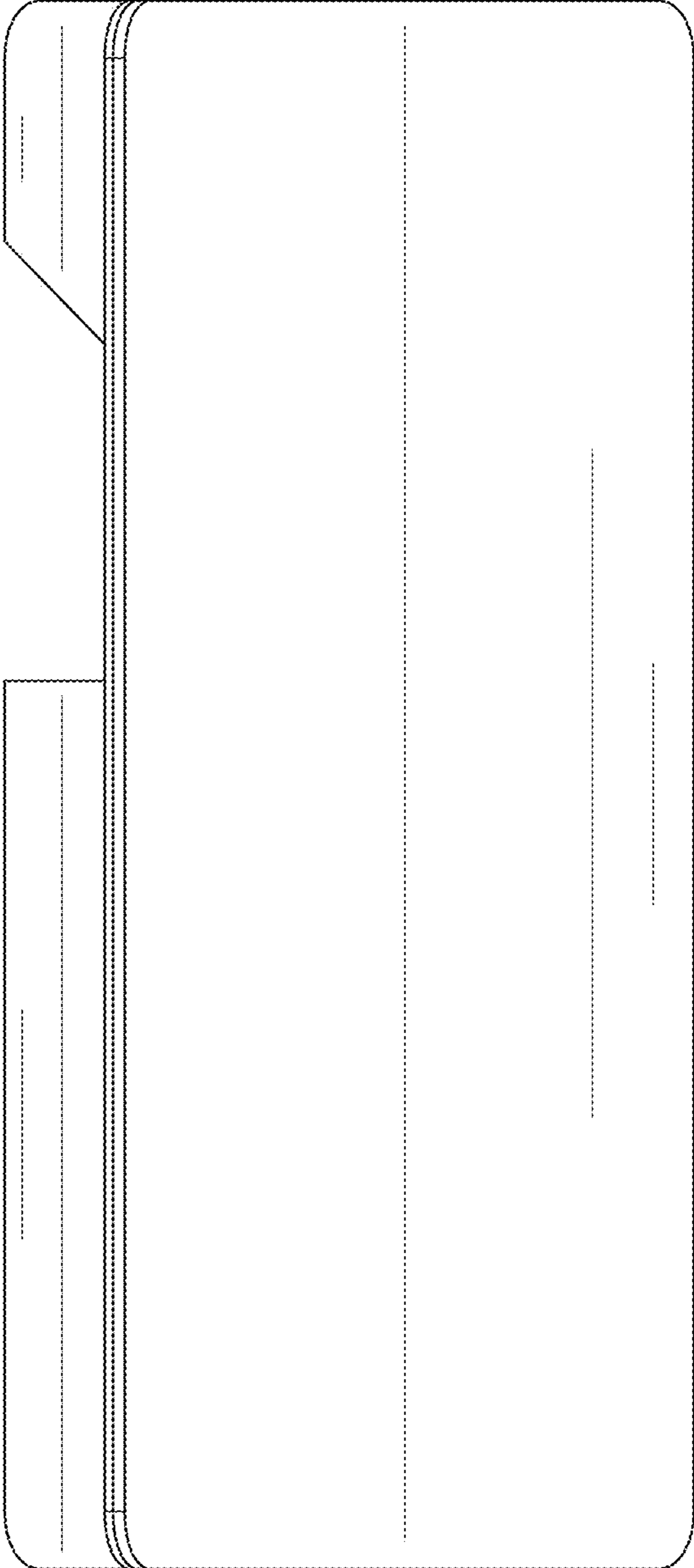


FIG. 11

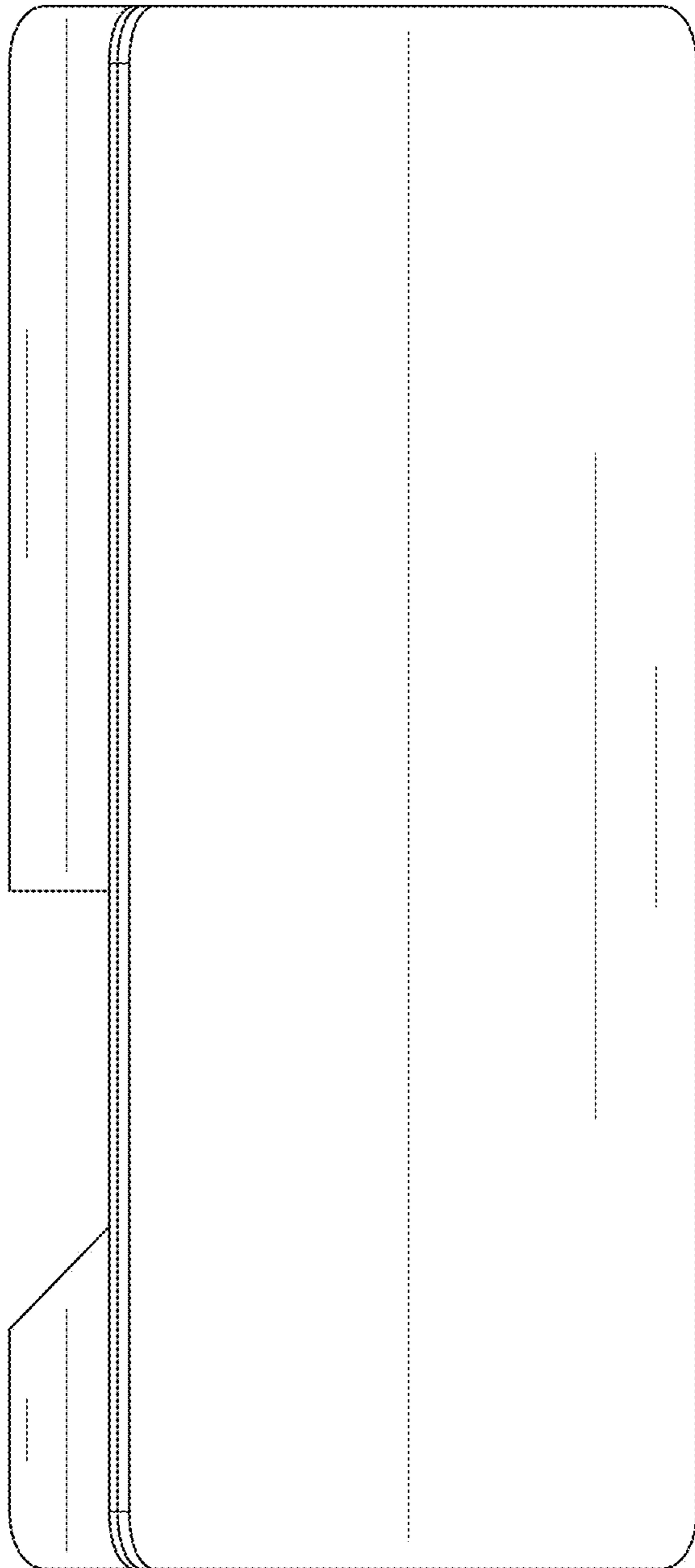


FIG. 12

FIG. 13

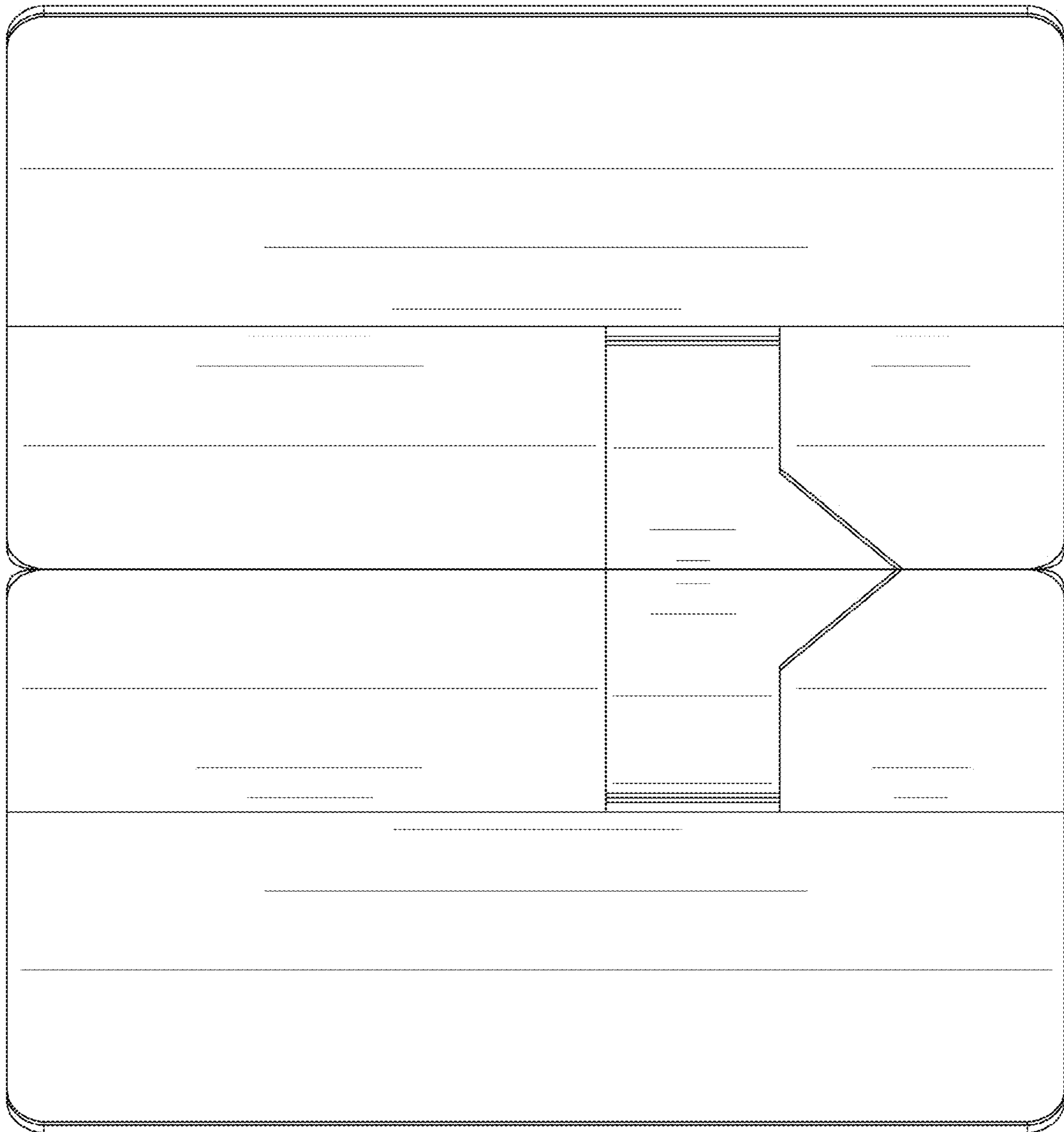
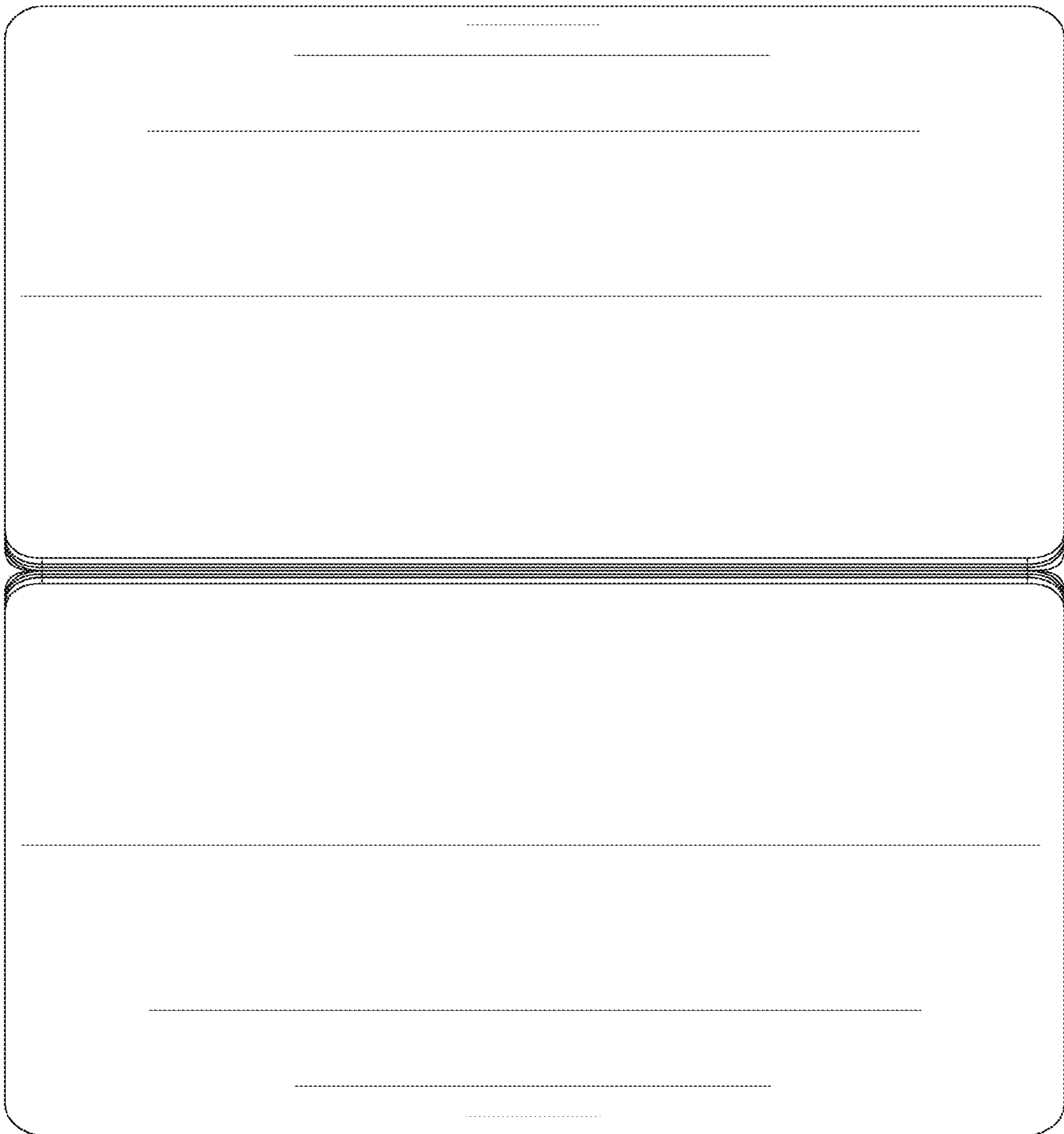


FIG. 14



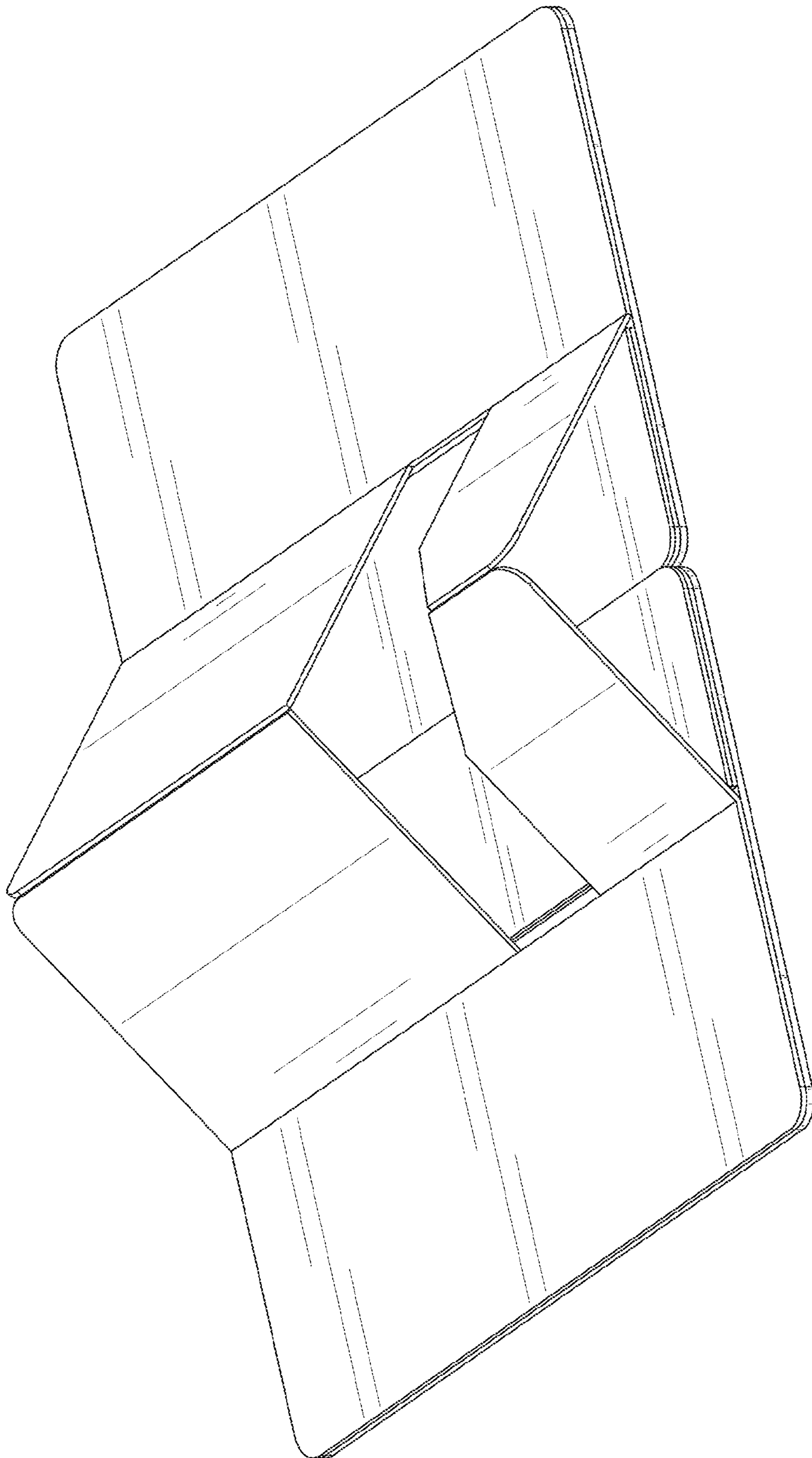


FIG. 15

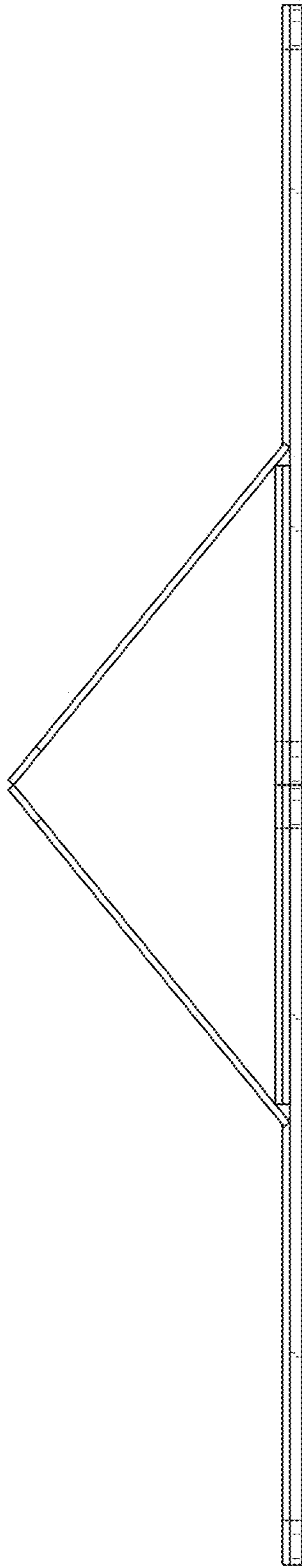


FIG. 16

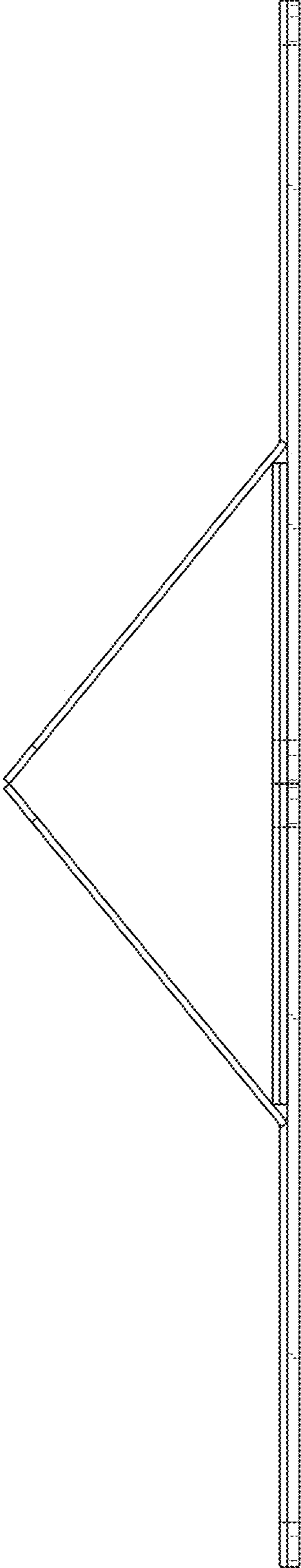


FIG. 17

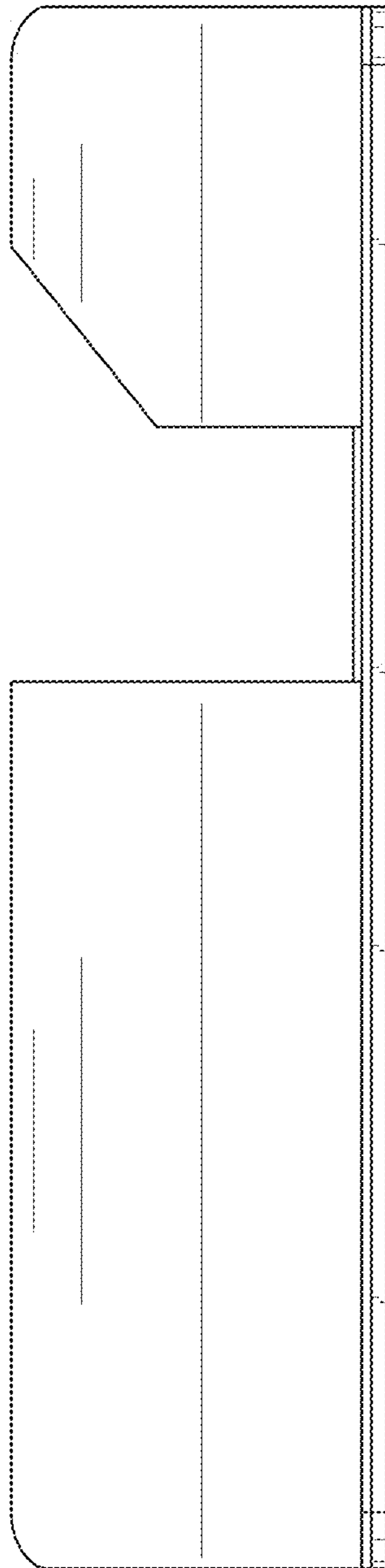


FIG. 18

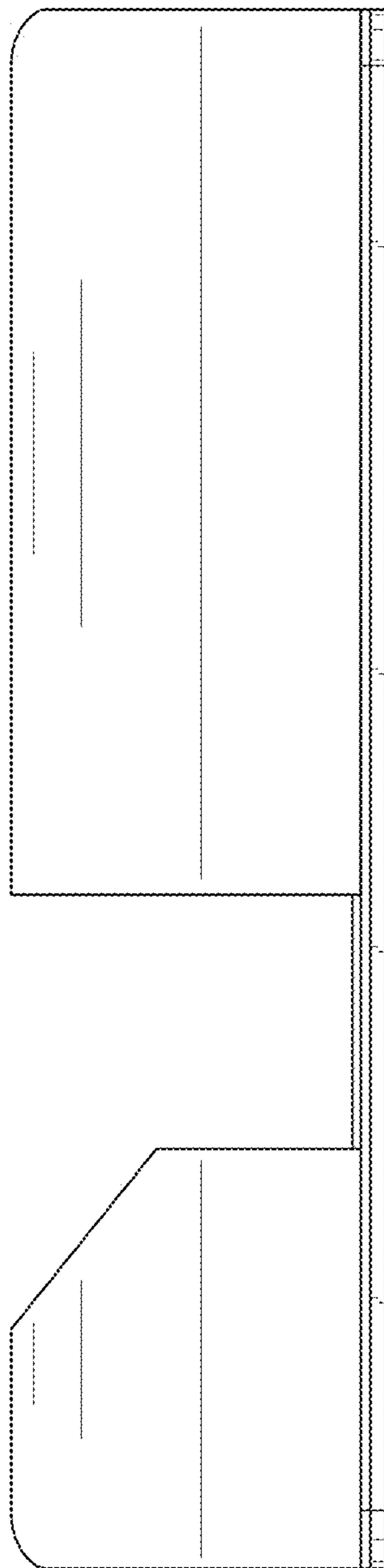


FIG. 19

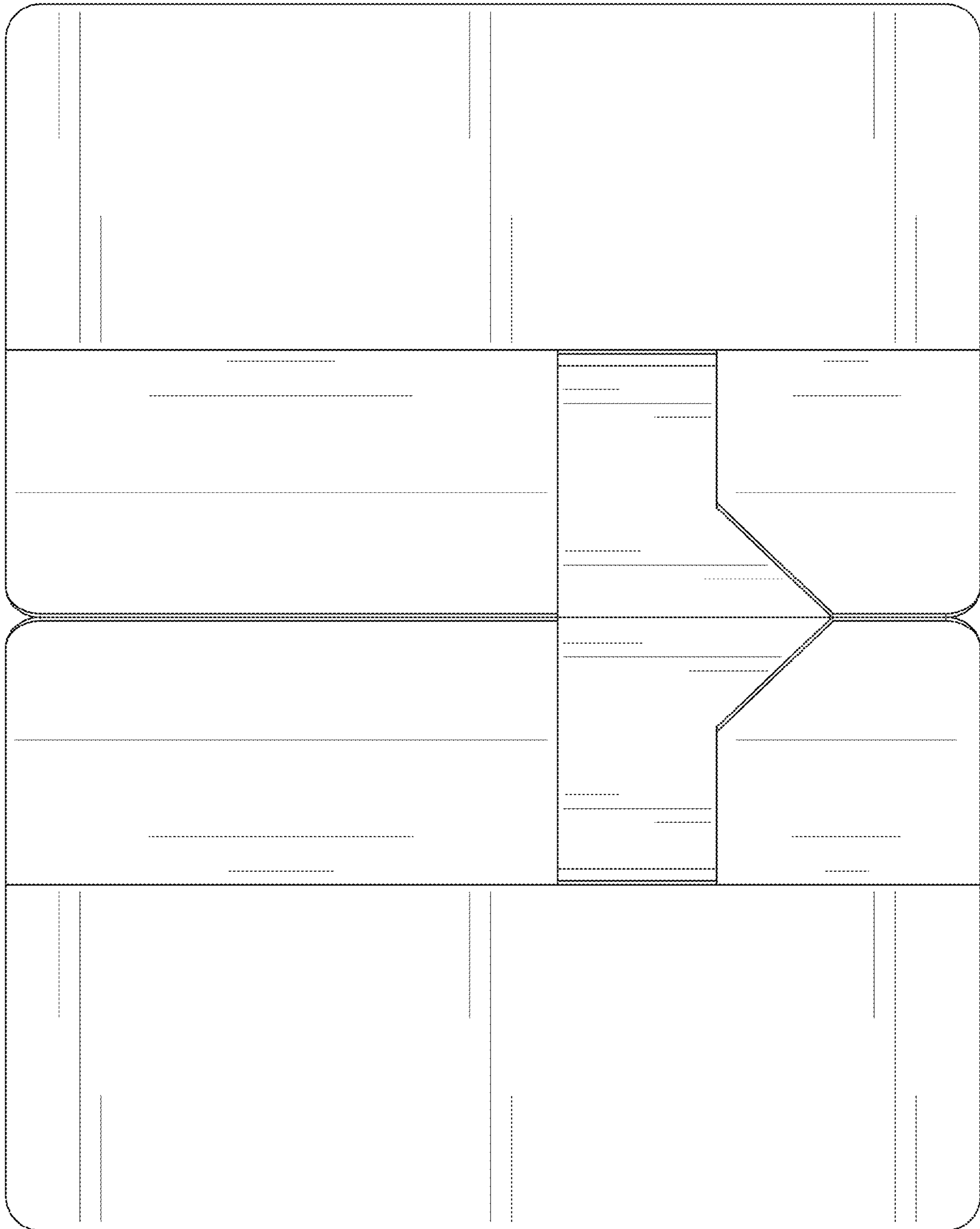


FIG. 20

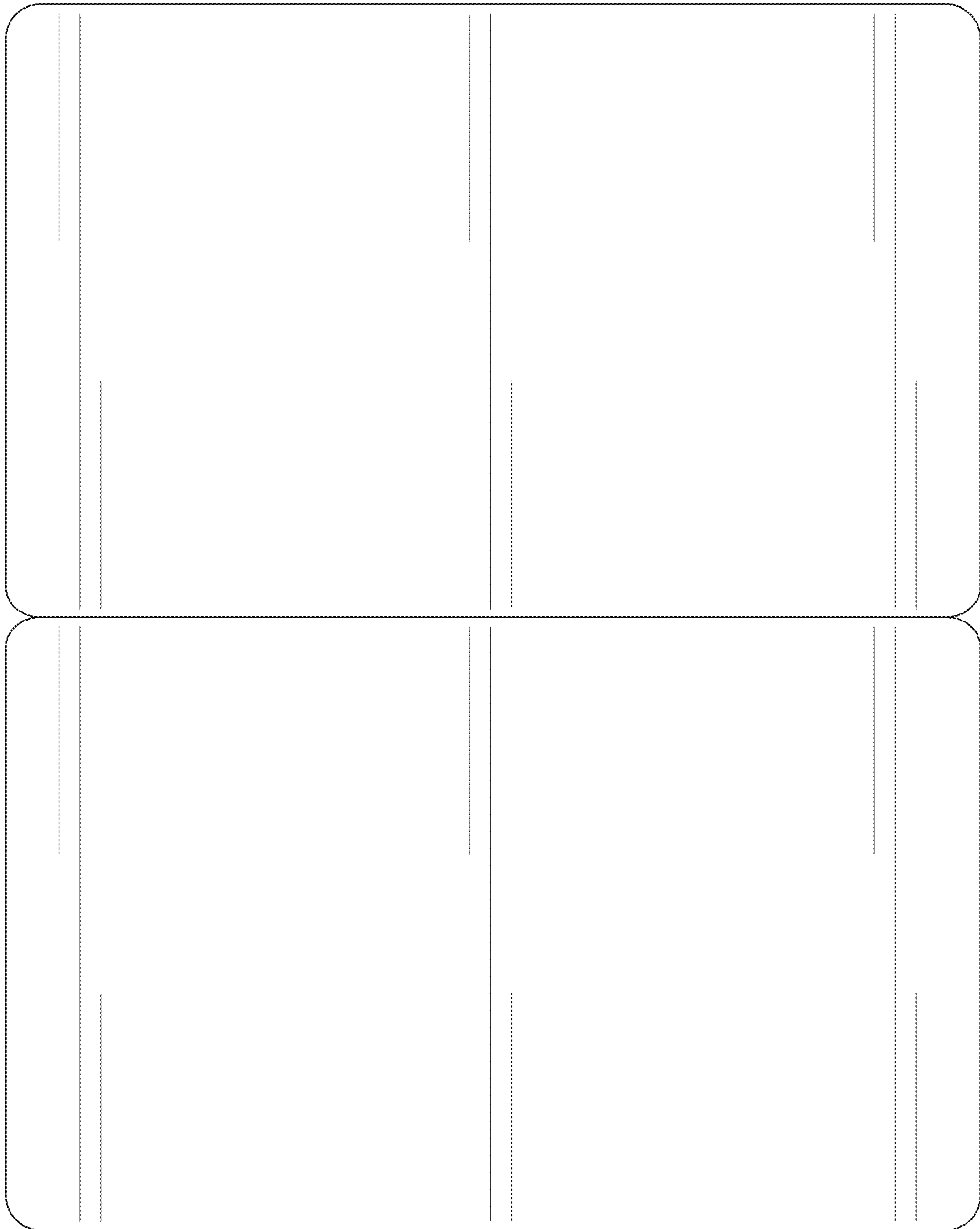


FIG. 21