



US00D945405S

(12) **United States Design Patent**
Rose et al.

(10) **Patent No.:** **US D945,405 S**
(45) **Date of Patent:** **** Mar. 8, 2022**

(54) **EARPHONE**

(71) Applicant: **Target Brands, Inc.**, Minneapolis, MN (US)

(72) Inventors: **Daniel C. Rose**, Minneapolis, MN (US); **Yousin B. Smith**, Minneapolis, MN (US); **Terrence J. Hornsby, Jr.**, Minneapolis, MN (US); **ShengLong Huang**, Guangdong (CN); **JunXiang Lan**, Guangdong (CN)

(73) Assignee: **Target Brands, Inc.**, Minneapolis, MN (US)

(**) Term: **15 Years**

(21) Appl. No.: **29/730,093**

(22) Filed: **Apr. 1, 2020**

(51) **LOC (13) Cl.** **14-01**

(52) **U.S. Cl.**
USPC **D14/223**

(58) **Field of Classification Search**
USPC D14/223, 205; D24/174; 128/864, 865, 128/866; 381/380, 381, 322, 328; 455/90.3, 575.1, 569.1; D28/8.1
(Continued)

(56) **References Cited**

U.S. PATENT DOCUMENTS

1,312,493 A * 8/1919 Theis A61F 11/14
128/866
2,430,299 A * 11/1947 Mann F04D 5/00
415/97

(Continued)

FOREIGN PATENT DOCUMENTS

CN 305472264 * 12/2019
EM 007290614-0005 * 11/2019

(Continued)

OTHER PUBLICATIONS

GeeKee "G650 True Wireless Earbuds" <https://www.getgeekee.com/products/true-wireless-earbuds-bluetooth-5-0-headphones-aptx-lossless-cvc-dual-mic-noise-cancelling-clear-voice-call-in-ear-headset-iph7-waterproof-40h-wireless-charging-case-sports-earphones>, at least as early as 2020, 1 page.

(Continued)

Primary Examiner — Paula Allen Greene

(74) *Attorney, Agent, or Firm* — Leanne Taveggia Farrell; Westman, Champlin & Koehler, P.A.

(57) **CLAIM**

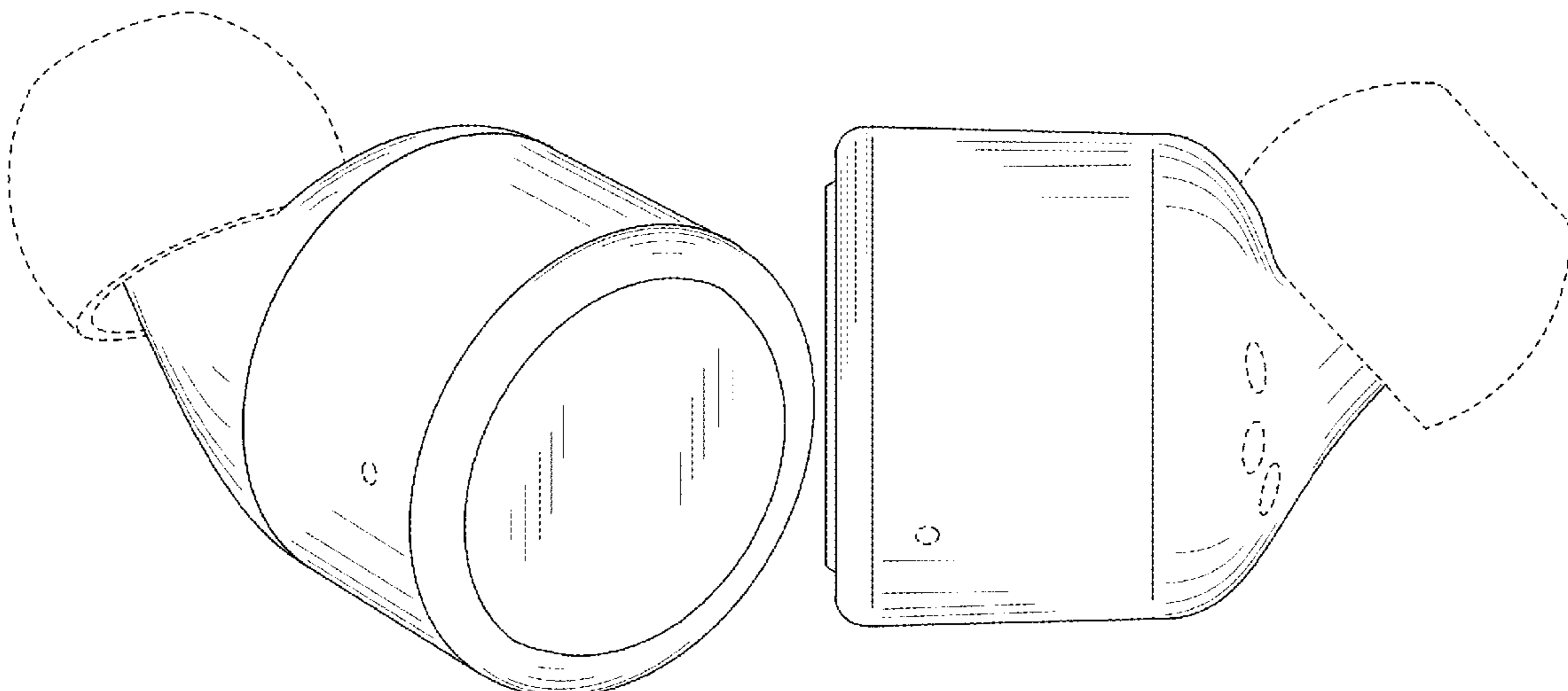
The ornamental design for an earphone, as shown and described.

DESCRIPTION

FIG. 1 is a back perspective view of a first embodiment of an earphone showing our new design, the earphone of FIG. 1 is configured for use with a left ear of a user; FIG. 2 is a front perspective view thereof; FIG. 3 is a front view thereof; FIG. 4 is a back view thereof; FIG. 5 is a left side view thereof; FIG. 6 is a right side view thereof; FIG. 7 is a top view thereof; FIG. 8 is a bottom view thereof; FIG. 9 is a back perspective view of a second embodiment thereof, the earphone of FIG. 9 is configured for use with a right ear of a user; FIG. 10 is a front perspective view of FIG. 9; FIG. 11 is a front view of FIG. 9; FIG. 12 is a back view of FIG. 9; FIG. 13 is a right side view of FIG. 9; FIG. 14 is a left side view of FIG. 9; FIG. 15 is a top view of FIG. 9; and, FIG. 16 is a bottom view of FIG. 9.

The broken lines shown in the drawings are included for purposes of illustrating portions of the earphone and form no part of the claimed design.

1 Claim, 8 Drawing Sheets



(58) **Field of Classification Search**
 CPC H04R 1/10; H04R 25/00; H04R 25/02;
 H04R 1/1066; H04R 1/1016; H04R
 5/033; H04R 5/0335; H04R 1/1083;
 H04R 1/105; H04R 1/1091; A61F 11/08
 See application file for complete search history.

(56) **References Cited**

U.S. PATENT DOCUMENTS

3,047,089 A * 7/1962 Zwislocki A61F 11/08
 181/135
 4,457,396 A * 7/1984 James H04R 1/345
 181/129
 4,550,227 A * 10/1985 Topholm H04R 25/60
 381/324
 4,672,672 A * 6/1987 Eggert H04R 25/603
 381/324
 4,691,383 A * 9/1987 DeMars H04B 1/086
 379/430
 5,345,509 A * 9/1994 Hofer H04R 25/556
 381/326
 5,654,530 A * 8/1997 Sauer H04R 25/652
 181/130
 5,812,680 A * 9/1998 Glendon H04R 25/609
 381/322
 6,493,453 B1 * 12/2002 Glendon H04R 25/65
 381/322
 7,092,543 B1 * 8/2006 Mahoney H04R 25/65
 381/328
 D550,657 S 9/2007 Gan et al.
 8,391,536 B2 * 3/2013 Hashimoto H04R 1/1016
 381/380
 D725,082 S 3/2015 Palmborg et al.
 8,983,108 B2 * 3/2015 Ho H04R 1/1016
 381/380
 D742,861 S 11/2015 Miyake et al.
 D764,445 S 8/2016 Czaniecki
 D777,710 S 1/2017 Palmborg et al.
 D781,269 S 3/2017 Choe et al.
 D782,998 S 4/2017 Shin et al.
 D783,578 S * 4/2017 Bristol D14/223
 D800,097 S * 10/2017 Chen D14/223
 D805,060 S * 12/2017 Loermann D14/223
 D806,879 S * 1/2018 Horbinski D24/174
 D808,934 S * 1/2018 Tang D14/223
 D810,054 S * 2/2018 Yuan D14/223
 D812,042 S * 3/2018 Xiao D14/223
 D813,206 S * 3/2018 Tang D14/223
 D813,848 S 3/2018 Palmborg
 D817,309 S * 5/2018 Czaniecki D14/223
 D818,990 S * 5/2018 Tzeng D14/205
 D841,626 S * 2/2019 Tang D14/223
 D841,627 S * 2/2019 Wen D14/223
 D843,353 S 3/2019 Zhang
 D843,354 S * 3/2019 Kumano D14/223
 D845,926 S 4/2019 Aoyagi et al.
 D845,932 S * 4/2019 Lu D14/223
 D846,532 S * 4/2019 Xiao D14/223
 D847,126 S * 4/2019 Loermann D14/223
 D851,072 S * 6/2019 McNamara D14/223
 D852,782 S * 7/2019 Bergman D14/223
 D855,589 S * 8/2019 Madsen D14/223
 D858,489 S * 9/2019 Hu D14/223
 D862,422 S 10/2019 Lindenberger
 D863,263 S * 10/2019 Yu D14/223
 D864,167 S * 10/2019 Wu D14/223
 D868,752 S * 12/2019 Zhu D14/223
 D870,707 S * 12/2019 Yang D14/223
 D871,376 S * 12/2019 Zhou D14/223
 10,516,934 B1 12/2019 Solbach
 D872,064 S 1/2020 Cai
 D873,248 S * 1/2020 Weicheng D14/223
 D875,714 S * 2/2020 Kim D14/205
 D879,074 S * 3/2020 Komiya D14/223
 D880,457 S * 4/2020 Zhu D14/223

D883,261 S 5/2020 Zhang
 D883,958 S 5/2020 Liu
 D883,960 S * 5/2020 Du D14/223
 D884,681 S 5/2020 Zhang
 D885,372 S 5/2020 Wang
 D887,395 S * 6/2020 Wang D14/223
 D889,441 S * 7/2020 Lin D14/223
 D890,138 S * 7/2020 Peng D14/223
 D892,086 S 8/2020 Bonahoom et al.
 D892,769 S * 8/2020 Cai D14/223
 D892,770 S * 8/2020 Gao D14/223
 D894,123 S * 8/2020 Xiong D13/108
 D895,580 S * 9/2020 Yu D14/223
 D896,207 S * 9/2020 He D14/223
 D897,319 S * 9/2020 Wang D14/223
 D897,322 S * 9/2020 Wei D14/223
 D897,996 S * 10/2020 Mei D14/223
 D899,405 S * 10/2020 Vaclavik D14/223
 D900,064 S * 10/2020 Laffon de Mazieres D14/223
 D902,183 S * 11/2020 Knudsen D14/223
 D902,184 S * 11/2020 Yang D14/223
 10,827,249 B1 * 11/2020 Pine H04R 1/1025
 D903,638 S * 12/2020 Li D14/223
 D908,667 S * 1/2021 He D14/223
 D922,358 S * 6/2021 Li D14/223
 D924,849 S * 7/2021 Yang D14/223
 D925,492 S * 7/2021 Sugiura D14/223
 D927,466 S * 8/2021 Zhang D14/223
 D928,742 S * 8/2021 Liu D14/223
 D929,378 S * 8/2021 Li D14/223
 D929,970 S * 9/2021 Lin D14/223
 D934,841 S * 11/2021 Takubo D14/223
 D934,842 S * 11/2021 Mok D14/223
 2007/0098201 A1 * 5/2007 Chen H04R 1/1016
 381/380
 2016/0316292 A1 * 10/2016 Huang H04R 1/2834
 2020/0177981 A1 * 6/2020 Ma H04R 1/1016
 2021/0006890 A1 * 1/2021 Zhang H04R 1/1066
 2021/0152921 A1 * 5/2021 Silva H04R 1/1025
 2021/0289284 A1 * 9/2021 Bai H04R 1/1058
 2021/0352395 A1 * 11/2021 Wang H04R 1/1016

FOREIGN PATENT DOCUMENTS

EM 007409982-0001 * 12/2019
 EM 007956149-0002 * 5/2020
 EM 008160667-0001 * 9/2020
 EM 008324495-0001 * 12/2020
 EM 001481451-0001 * 3/2021
 EM 008534457-0001 * 5/2021
 EM 008662530-0002 * 8/2021
 EM 008719041-0003 * 10/2021
 EM 008737605-0001 * 10/2021
 GB 9007015300-0002 * 10/2019
 GB 9007409982-0001 * 12/2019
 IN 329374-001-0001 * 5/2020

OTHER PUBLICATIONS

Motorola, "Vervebuds", <https://www.motorola.com/us/vervebuds-100-true-wireless-sport-earbuds/p>, at least as early as 2020, 1 page.
 Mpow "Mpow M12 Wireless Earbuds", <https://www.xmpow.com/products/mpow-m12-wireless-earbuds>, at least as early as 2019, 1 page.
 Mpow "Mpow T6 True Wireless Earbuds", <https://www.xmpow.com/products/mpow-t6-true-wireless-earbuds>, at least as early as 2019, 1 page.
 Peag, LLC dba Jlab Audio, "Jbuds Air Executive True Wireless Earbuds", <https://www.jlabaudio.com/collections/earbuds/products/go-air-true-wireless-earbuds>, at least as early as Jun. 2019, 1 page.
 Shenzhen Soundsoul Information Technology, <https://www.soundpeatsaudio.com/en/true-wireless-earbuds-truefree2.html>, at least as early as 2019, 1 page.
 Sony Corp, WF-XB700, <https://www.sony.com/electronics/truly-wireless/wf-xb700>, at least as early as Apr. 2020, 1 page.

(56)

References Cited

OTHER PUBLICATIONS

Samsung, "Galaxy Buds", <https://www.samsung.com/us/mobile/audio/headphones/galaxy-buds--black-sm-r170nzkaxar/>, at least as early as Mar. 2019, 2 pages.

Creative, "Creative Outlier Air", https://us.creative.com/p/headphones-headsets/creative-outlier-air?gclid=EAIaIQobChMz8eEwo7U5QIVRr7ACh2gNQ-DEAAYASAAEgJYUvD_BwE, at least as early as Feb. 2019, 1 page.

Sennheiser, "Momentum True Wireless", <https://en-us.sennheiser.com/truewireless-details>, at least as early as 2018, 1 page.

Amazon, "Echo Buds", https://www.amazon.com/dp/B07F6VM1S3?ref=ods_ucc_echo_B07F6VM1S3_nrc_ucc, at least as early as Oct. 2019, 1 page.

Bose, "SoundSport Free wireless headphones", https://www.bose.com/en_us/products/headphones/earphones/soundsport-free-wireless.html, at least as early as Sep. 2017, 1 page.

Jabra, "Jabra Elite 75t", <https://www.jabra.com/bluetooth-headsets/jabra-elite-75t/#/100-99090000-02>, at least as early as Oct. 2019, 1 page.

Microsoft, "Surface Earbuds", <https://www.microsoft.com/en-us/p/surface-earbuds/920bnghqjshs?activetab=overview>, at least as early as Nov. 6, 2019, 1 page.

Nokia, "Nokia True Wireless Earbuds", https://www.nokia.com/phones/en_us/nokia-true-wireless-earbuds, at least as early as 2019, 1 page.

JLab Audio, "JBuds Air True Wireless Earbuds", <https://www.jlabaudio.com/products/jbuds-air-true-wireless-earbuds-charging-case>, at least as early as Oct. 2018, 1 page.

Skullcandy, "Sesh True Wireless Earbuds", <https://www.skullcandy.com/shop/earbuds/bluetooth-earbuds/sesh>, at least as early as Aug. 2019, 1 page.

JBL, "JBL Tune 120TWS", https://www.jbl.com/wireless-headphones/JBL+TUNE120TWS.html?dwvar_JBL%20TUNE120TWS_color=Black-USA-Current, at least as early as Jun. 2019, 1 page.

JBL, "JBL Free X", https://www.jbl.com/wireless-headphones/JBL+FREE+X.html?cgid=wireless-headphones&dwvar_JBL%20FREE%20X_color=Black-USA-Current#start-1, at least as early as 2018, 1 page.

Jam, "Live Free Truly Wireless Earphones", <https://www.jamaudio.com/live-free-truly-wireless-earphones>, at least as early as Sep. 2019, 1 page.

Klipsch, "T5 True Wireless Earphones", <https://www.klipsch.com/products/t5-true-wireless-earphones>, at least as early as Jun. 2019, 1 page.

MEE Audio, "X10 Truly Wireless Sports Earphones", <https://www.meeaudio.com/X10>, at least as early as May 2019, 1 page.

Sudio, "Tolv Wireless", <https://www.sudio.com/us/earphones>, at least as early as May 2019, 1 page.

Bang & Olufsen, "Beoplay E8 2nd Gen", <https://www.bang-olufsen.com/en/earphones/beoplay-e8?variant=beoplay-e8-2-indigoblue>, at least as early as Apr. 2019, 1 page.

NuForce, "BE Free5", <https://www.optoma.com/us/product/be-free5/>, at least as early as May 2019, 1 page.

Nuheara, "IQbuds Boost", <https://www.nuheara.com/iqbuds-boost/>, at least as early as Jul. 2018, 1 page.

Crazybaby, "Air (NANO)", <https://crazybaby.com/air-nano>, at least as early as Dec. 2016, 1 page.

Plantronics, "BackBeat Pro 5100", <https://www.plantronics.com/us/en/product/backbeat-pro-5100>, at least as early as Sep. 2019, 1 page.

Google, "Google Pixel Buds", https://store.google.com/us/product/pixel_buds, at least as early as Fall 2019, 1 page.

U.S. Appl. No. 29/730,792, filed Apr. 1, 2020 entitled "Earphone", 9 pages.

Nerd Techy, "Mpow T5 True Wireless Earbuds", <https://nerdtechy.com/mpow-t5-review>, at least as early as Jan. 10, 2019, 1 page.

AliExpress, "Mpow M20 Wireless Earphones", https://www.aliexpress.com/item/4000792592808.html?src=google&src=google&albch=shopping&acnt=494-037-6276&isd=y&sInk=&plac=&mtctp=&albbt=Google_7_shopping&aff_platform=google&aff_short_key=UneMJZVf&&albagn=888888&albcpl=1582410664&albag=59754279756&trgt=743612850874&crea=en4000792592808&netw=u&device=c&albpg=743612850874&albpd=en4000792592808&gclid=

CjwKCAjw95DOBRBFEiwAcO1KDL9L7kbCTtQy4kLF1hTph-gY_ATEc-hZ5s6X1x9tUK5ObGE_-GLPchoCA9QQAvD_BwE&gclsrc=aw.ds, at least as early as Nov. 6, 2019, 1 page.

* cited by examiner

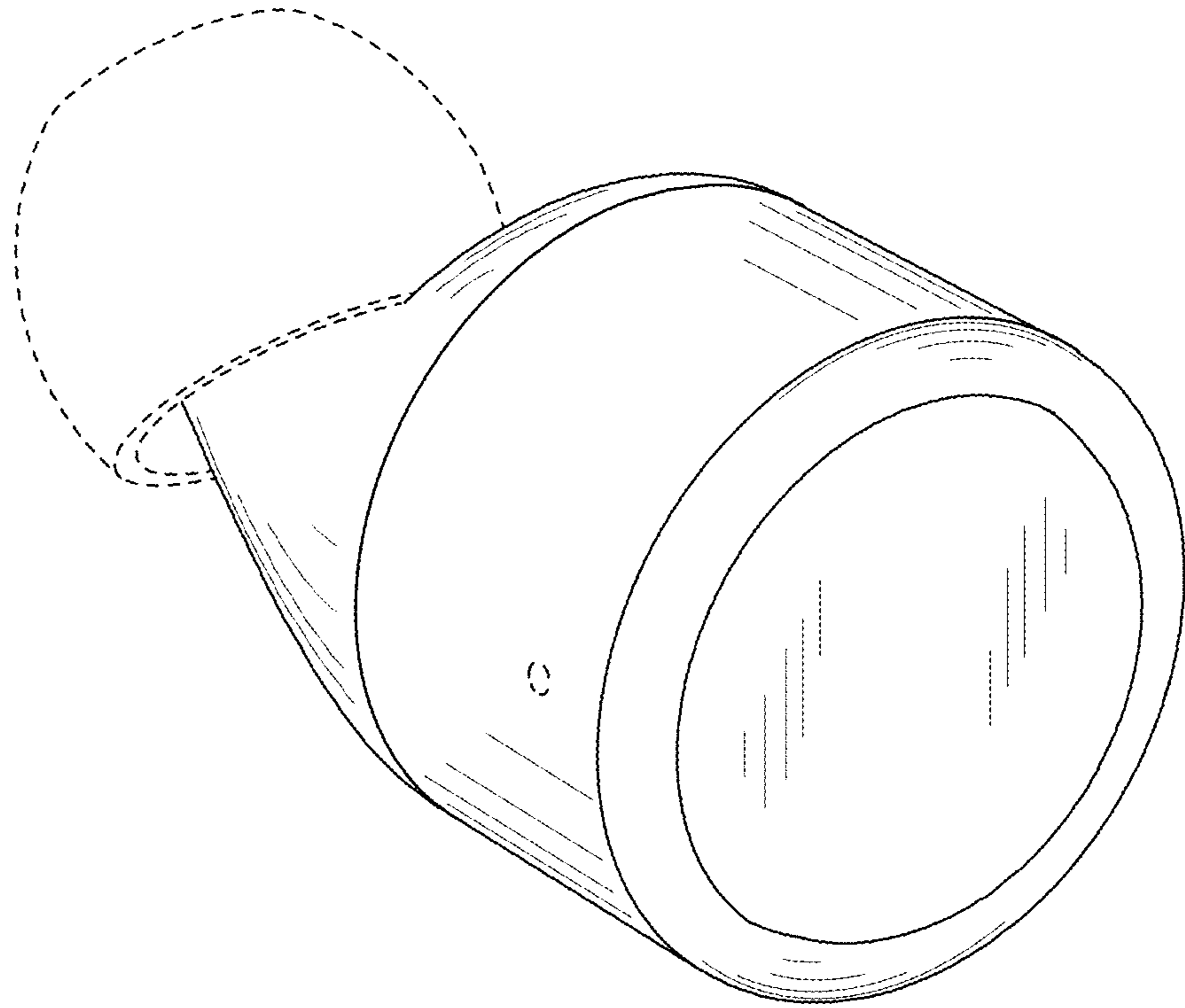


Fig. 1

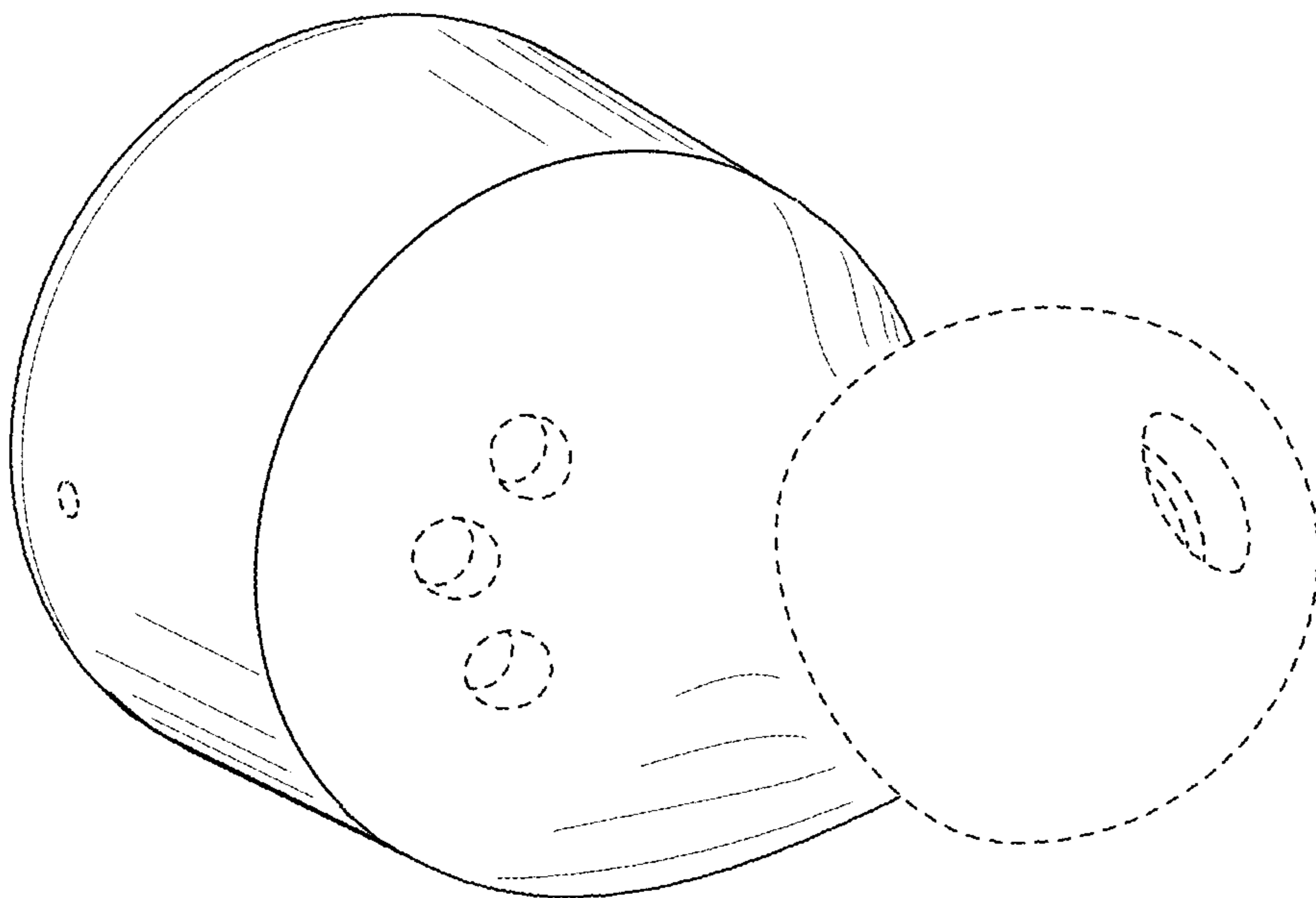


Fig. 2

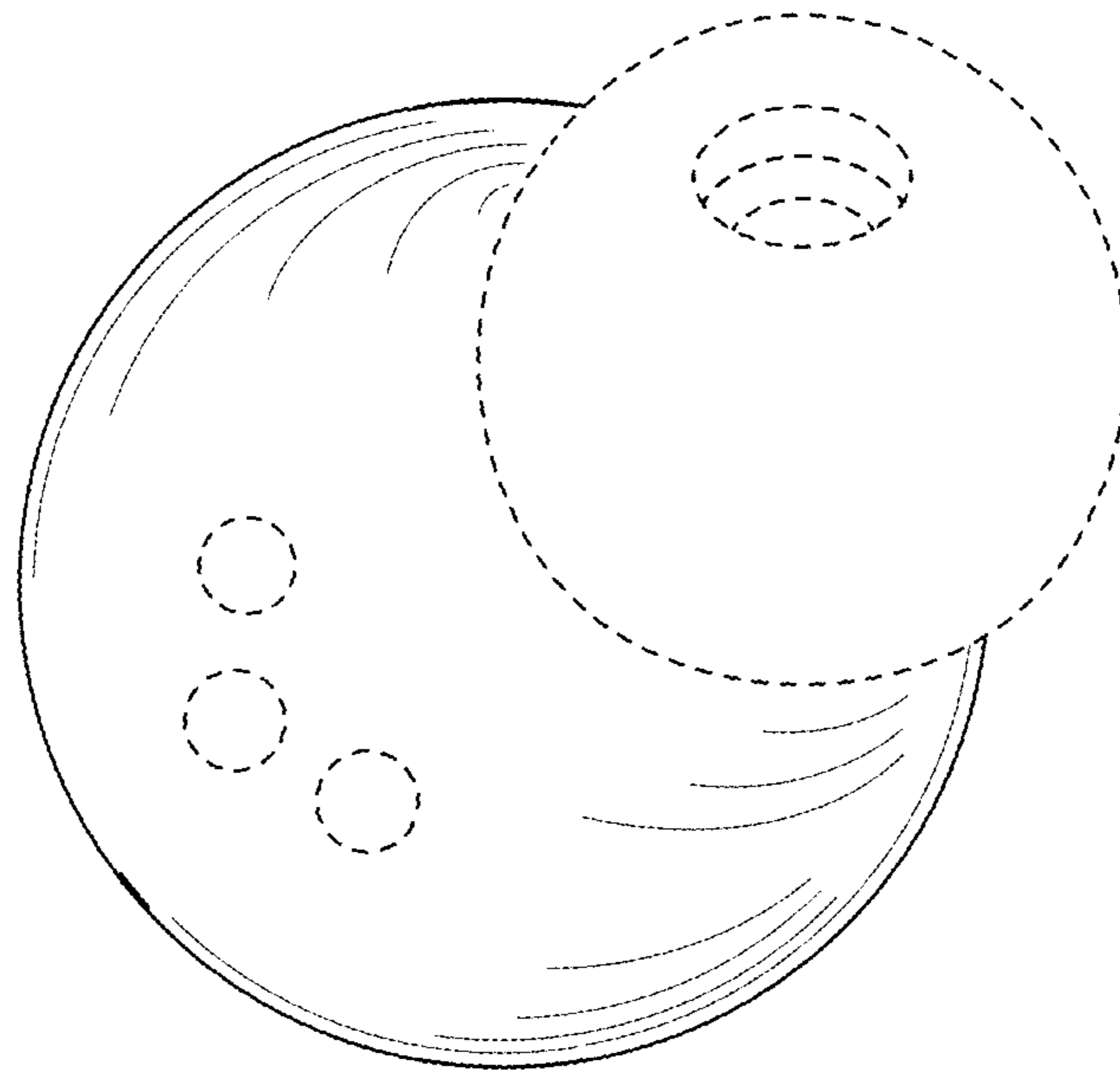


Fig. 3

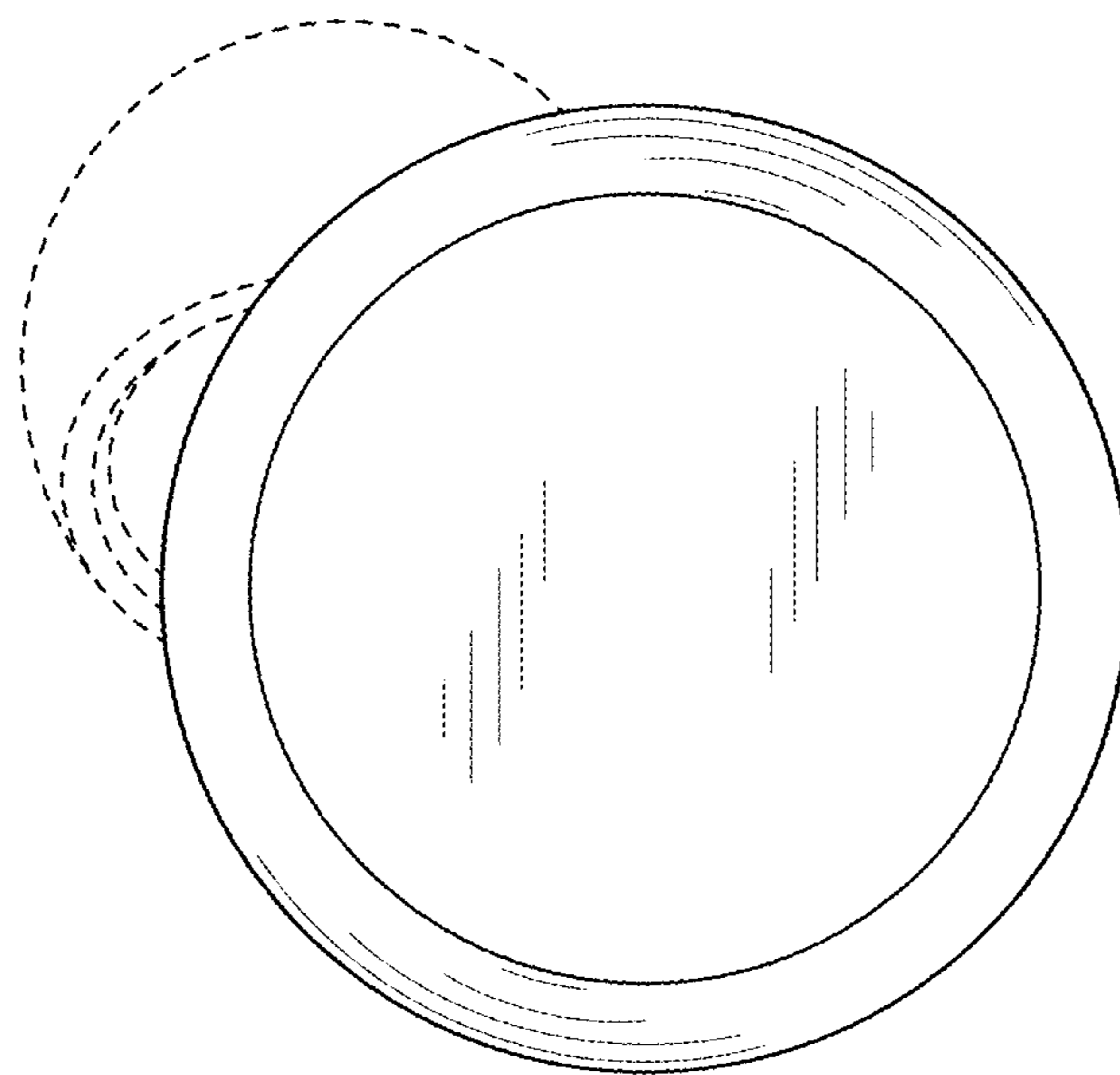


Fig. 4

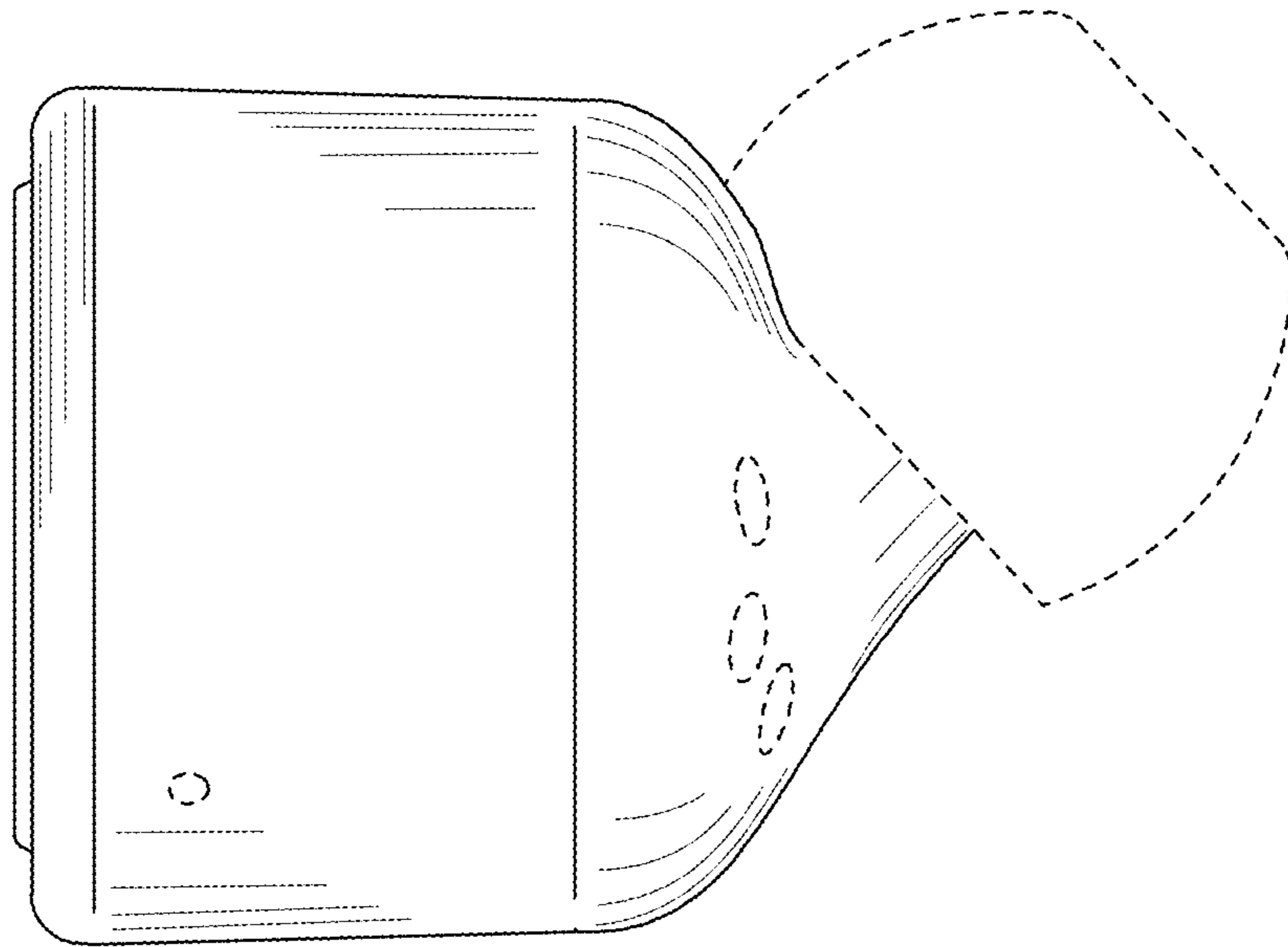


Fig. 5

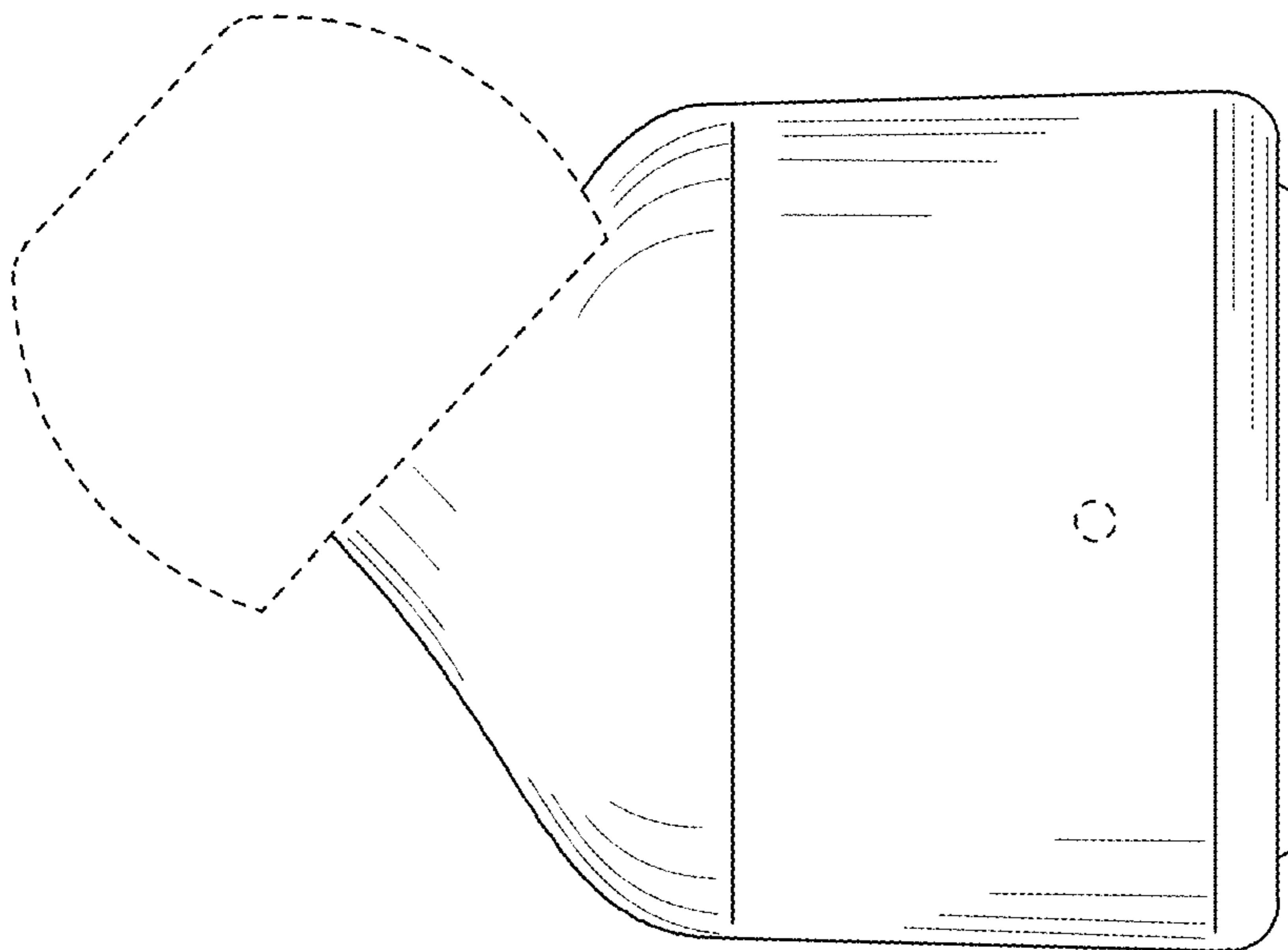


Fig. 6

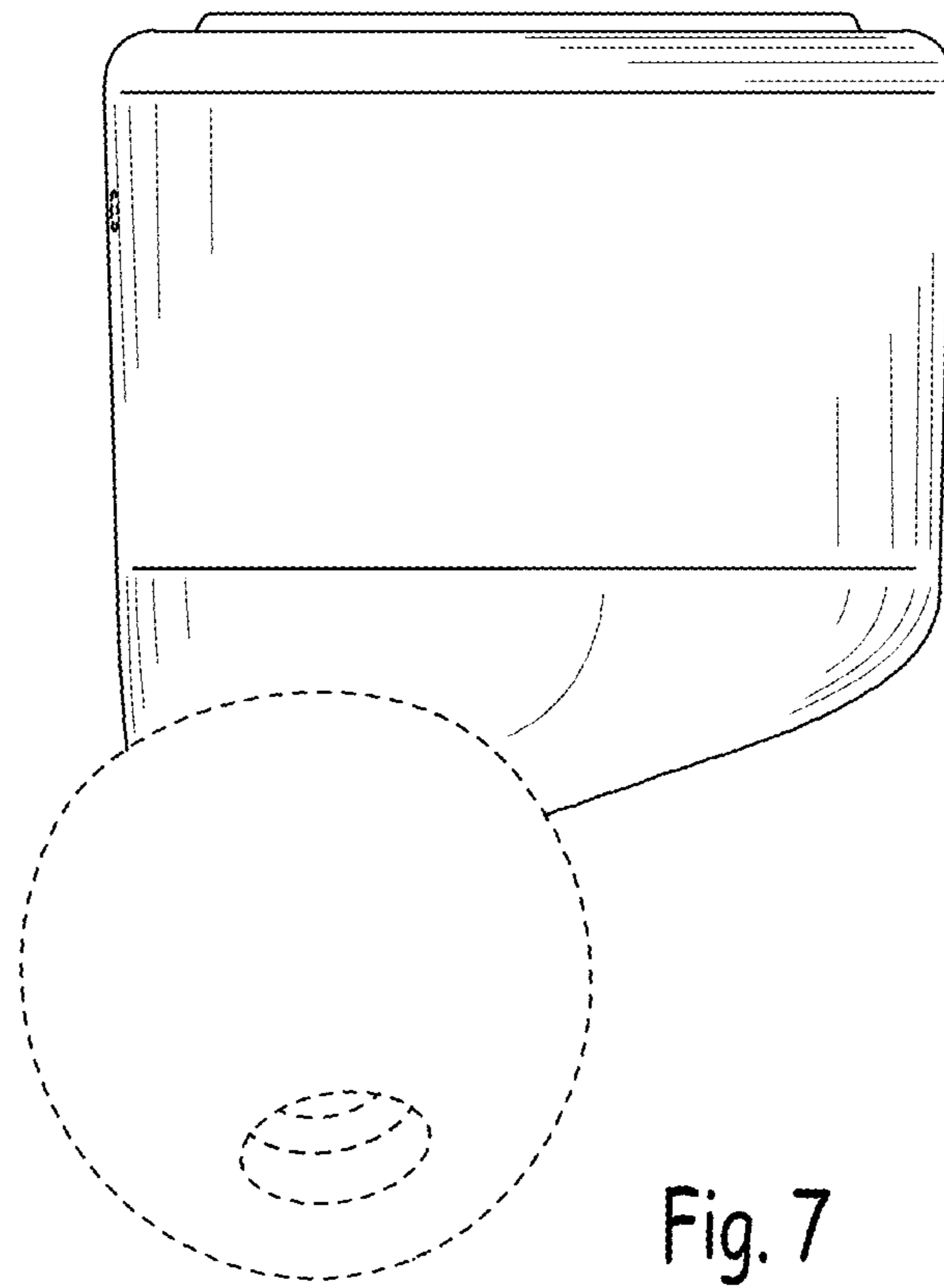


Fig. 7

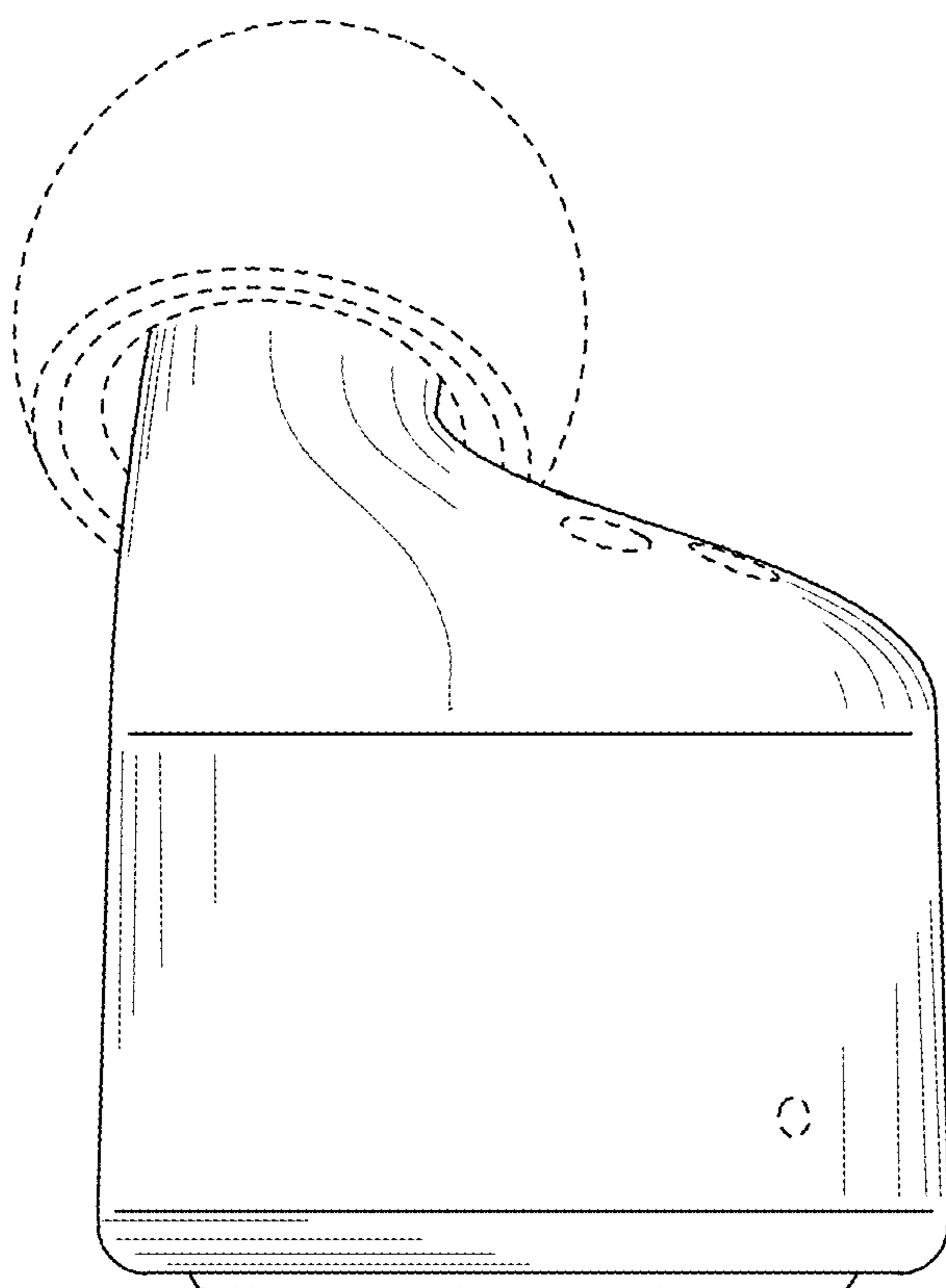


Fig. 8

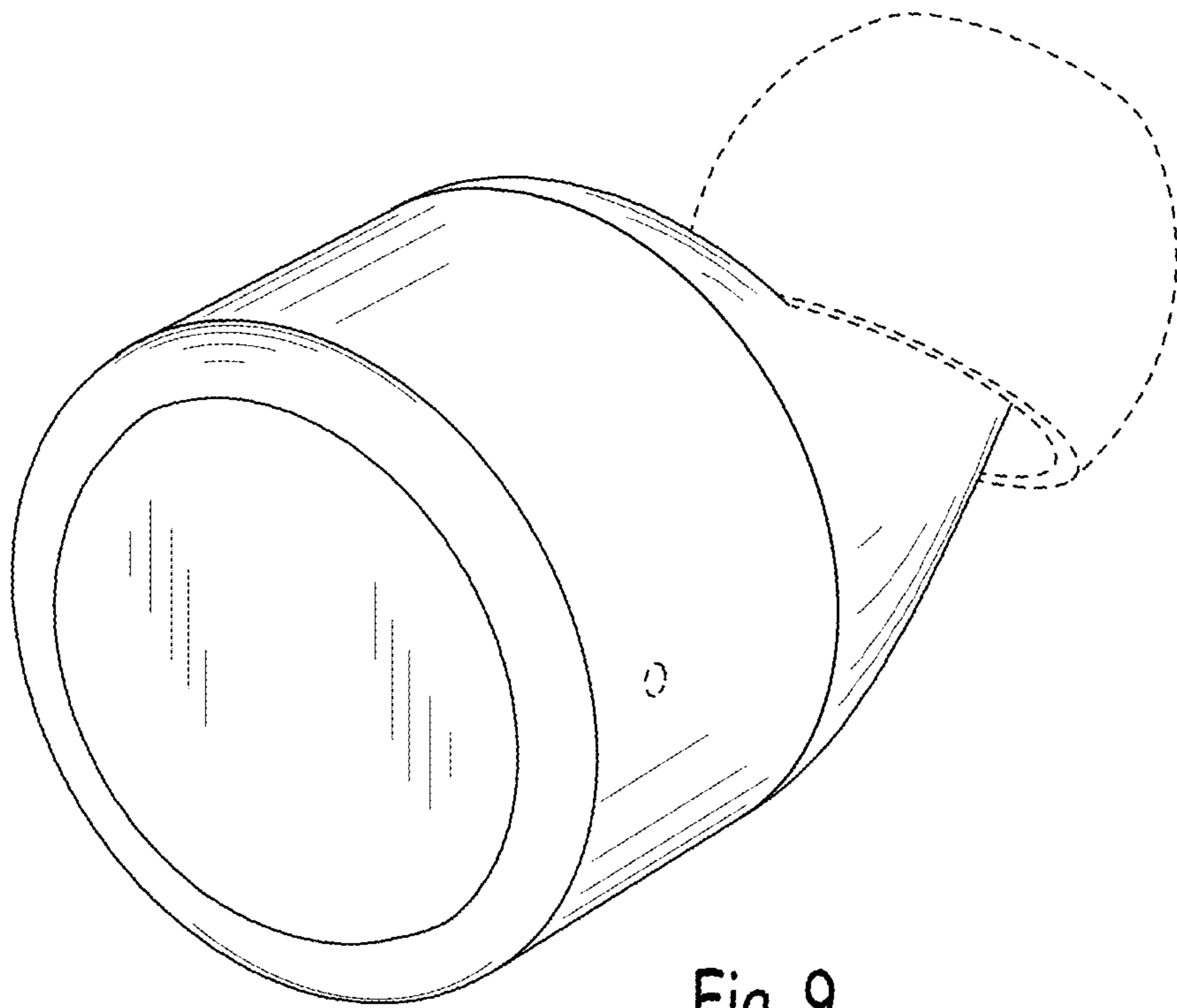


Fig. 9

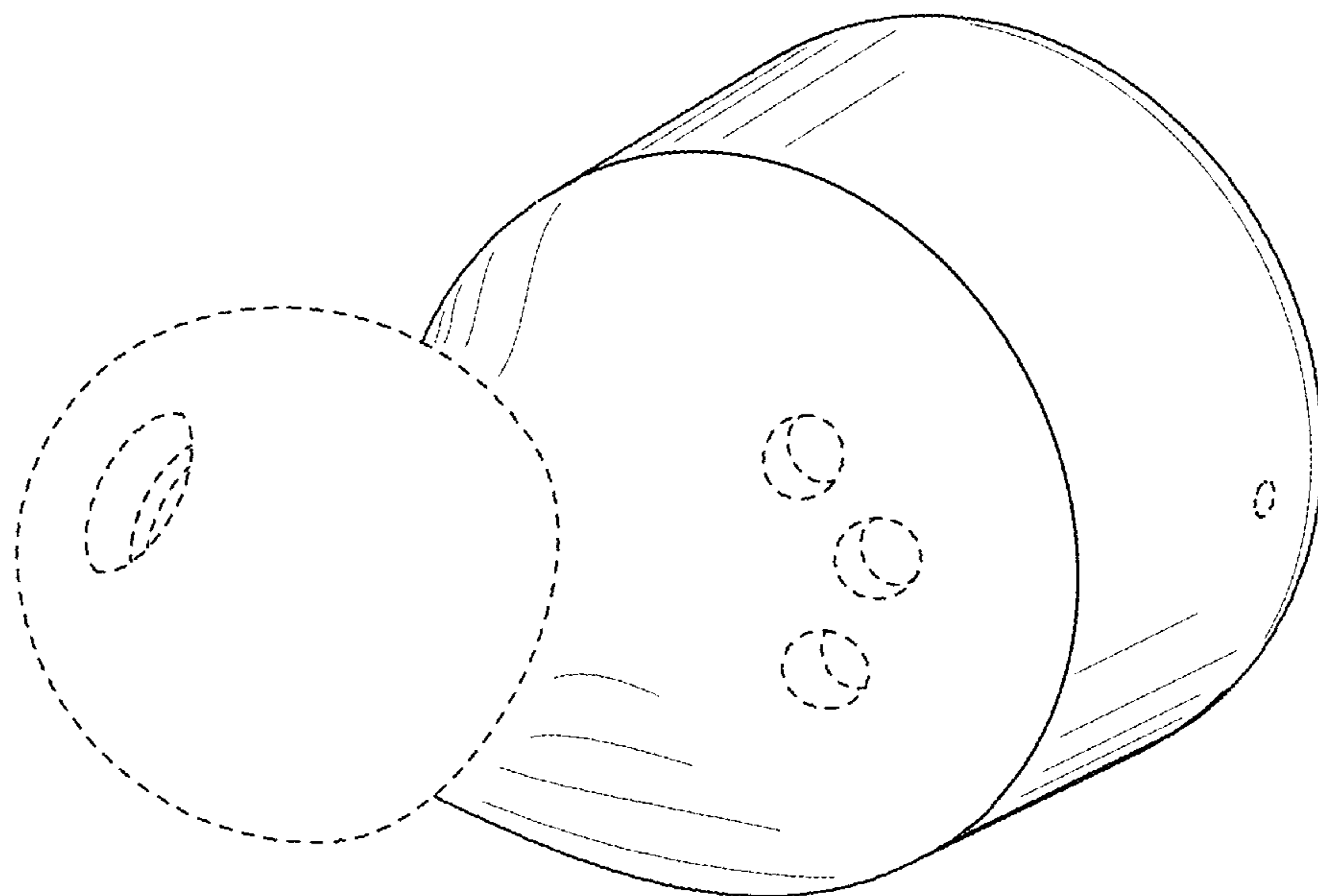


Fig. 10

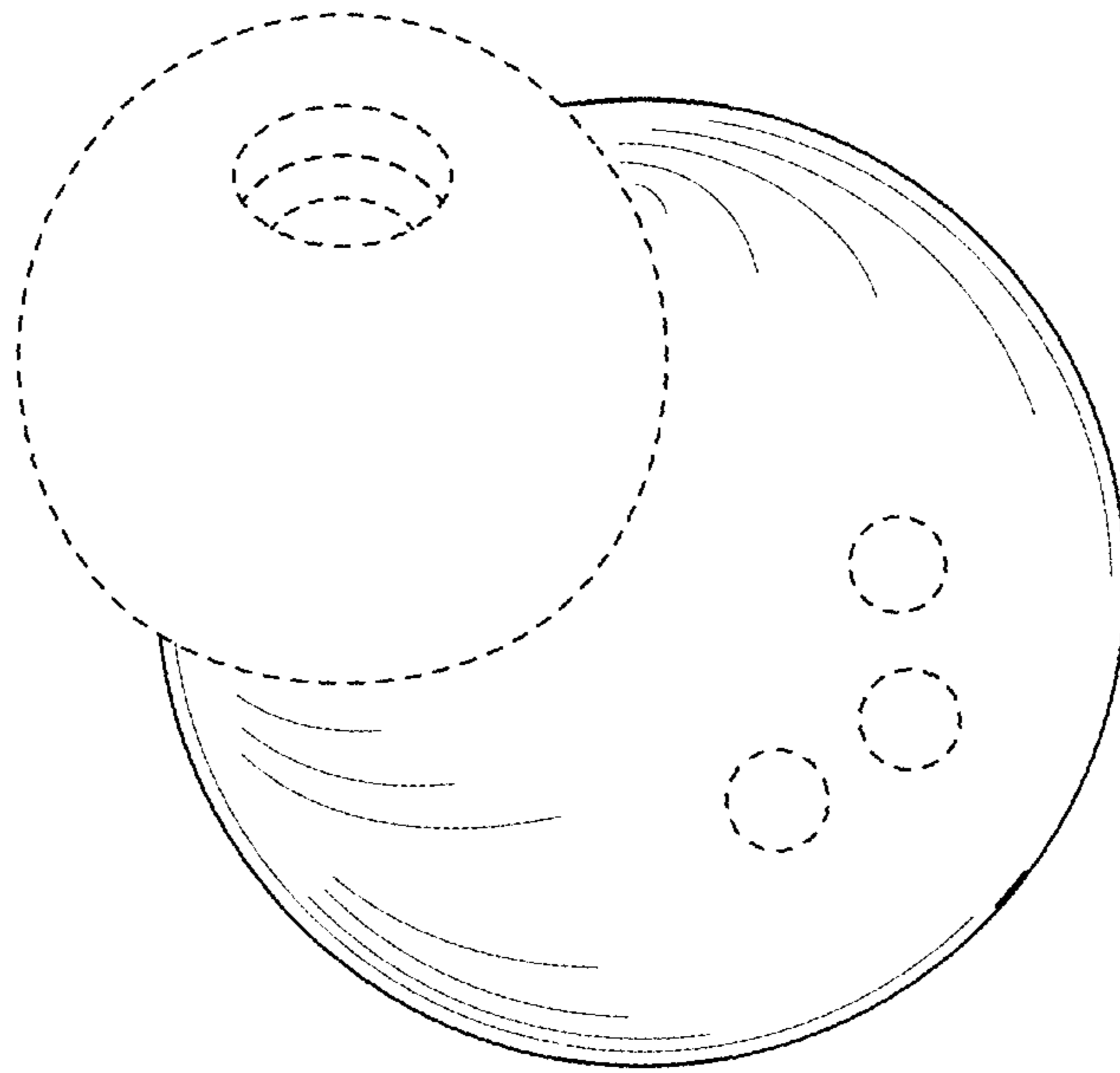


Fig. 11

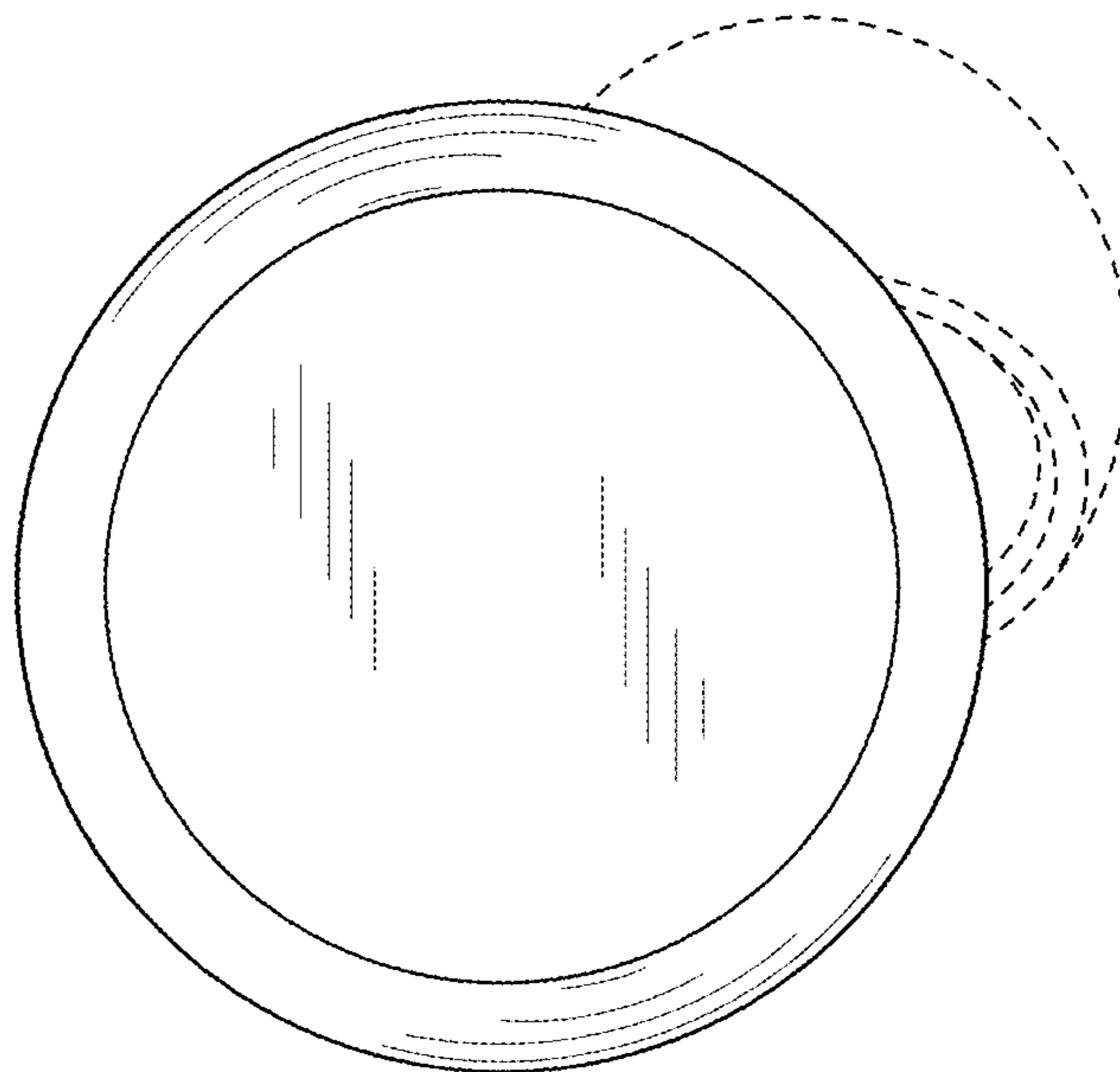


Fig. 12

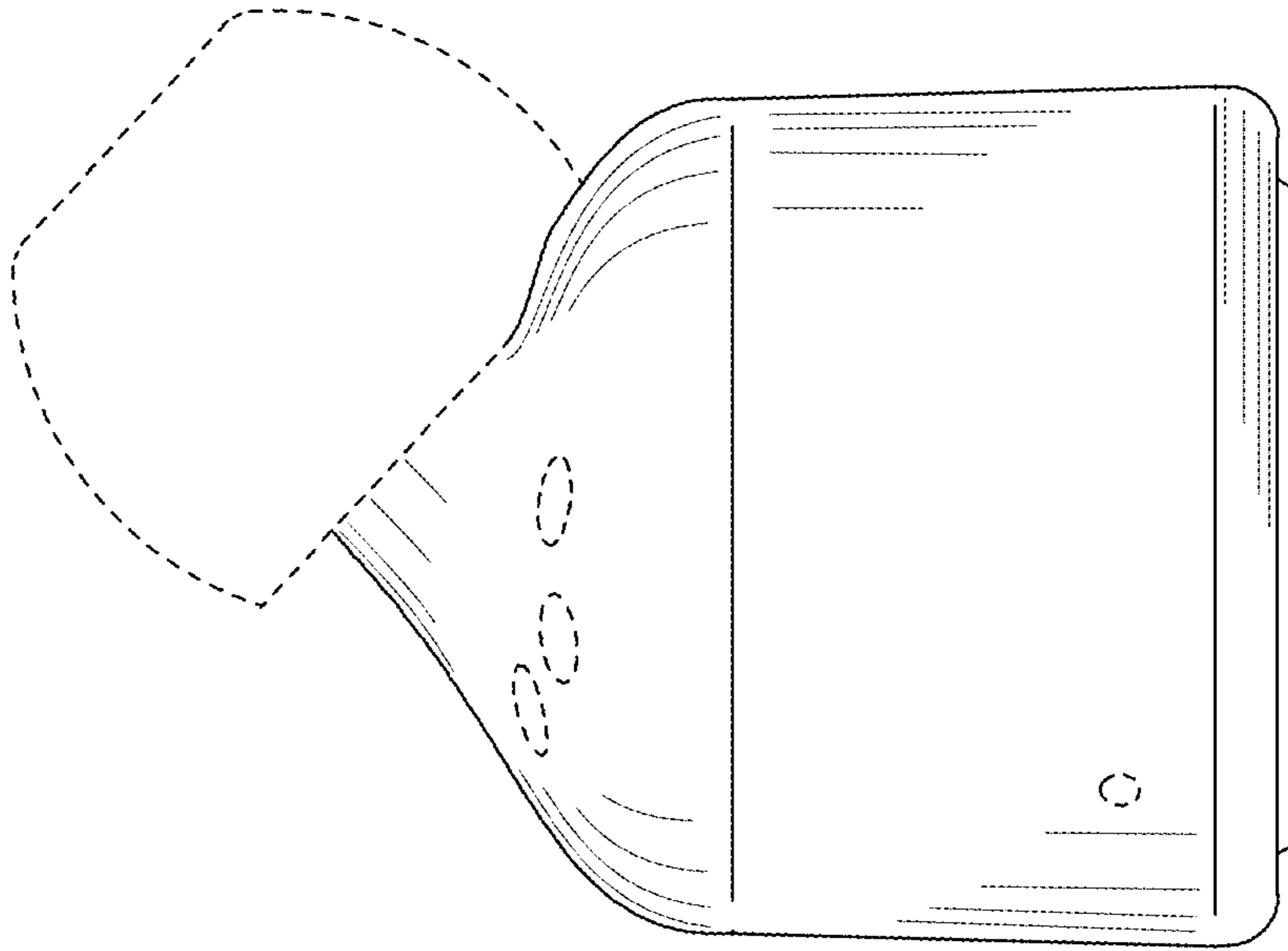


Fig. 13

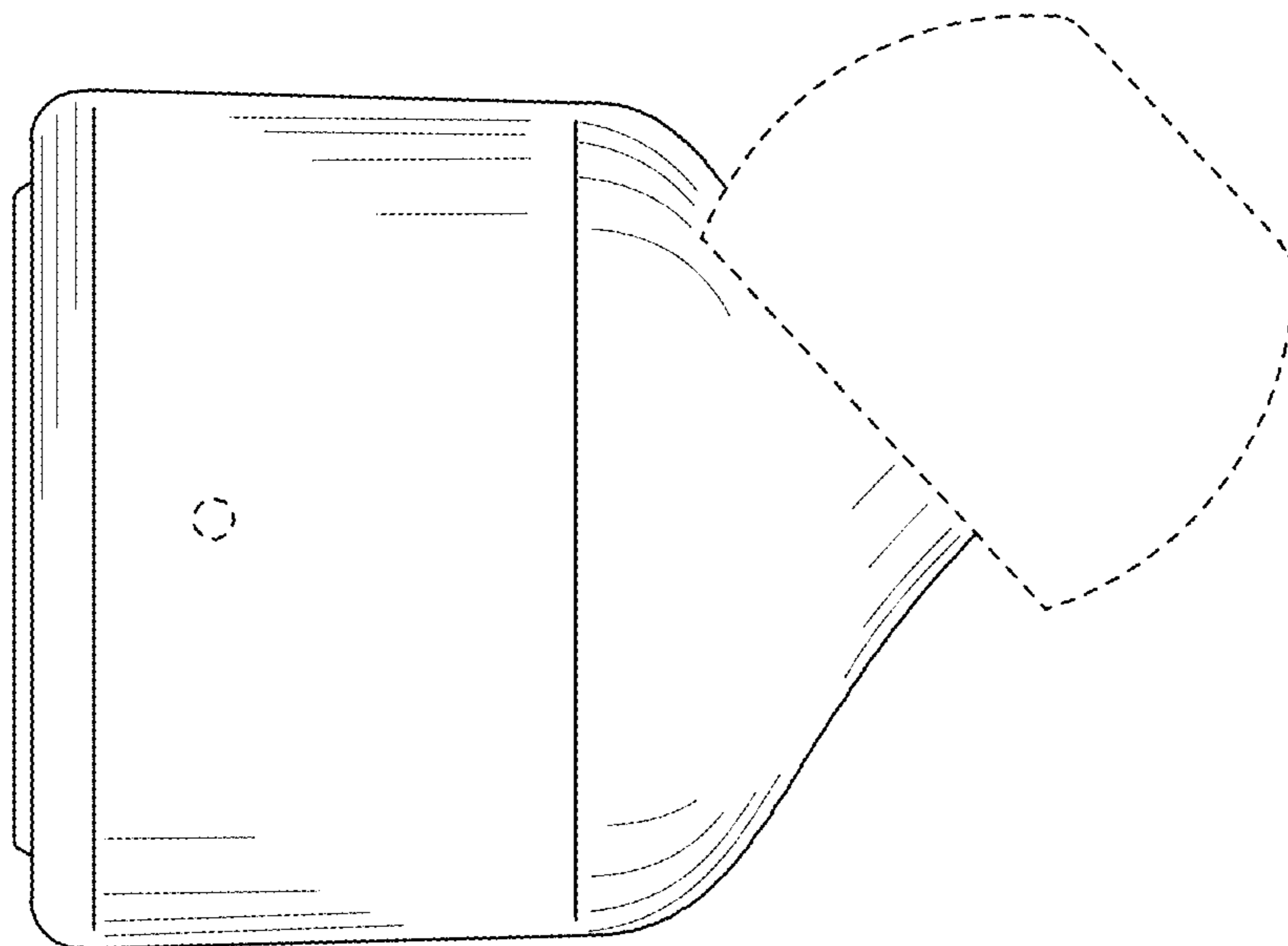


Fig. 14

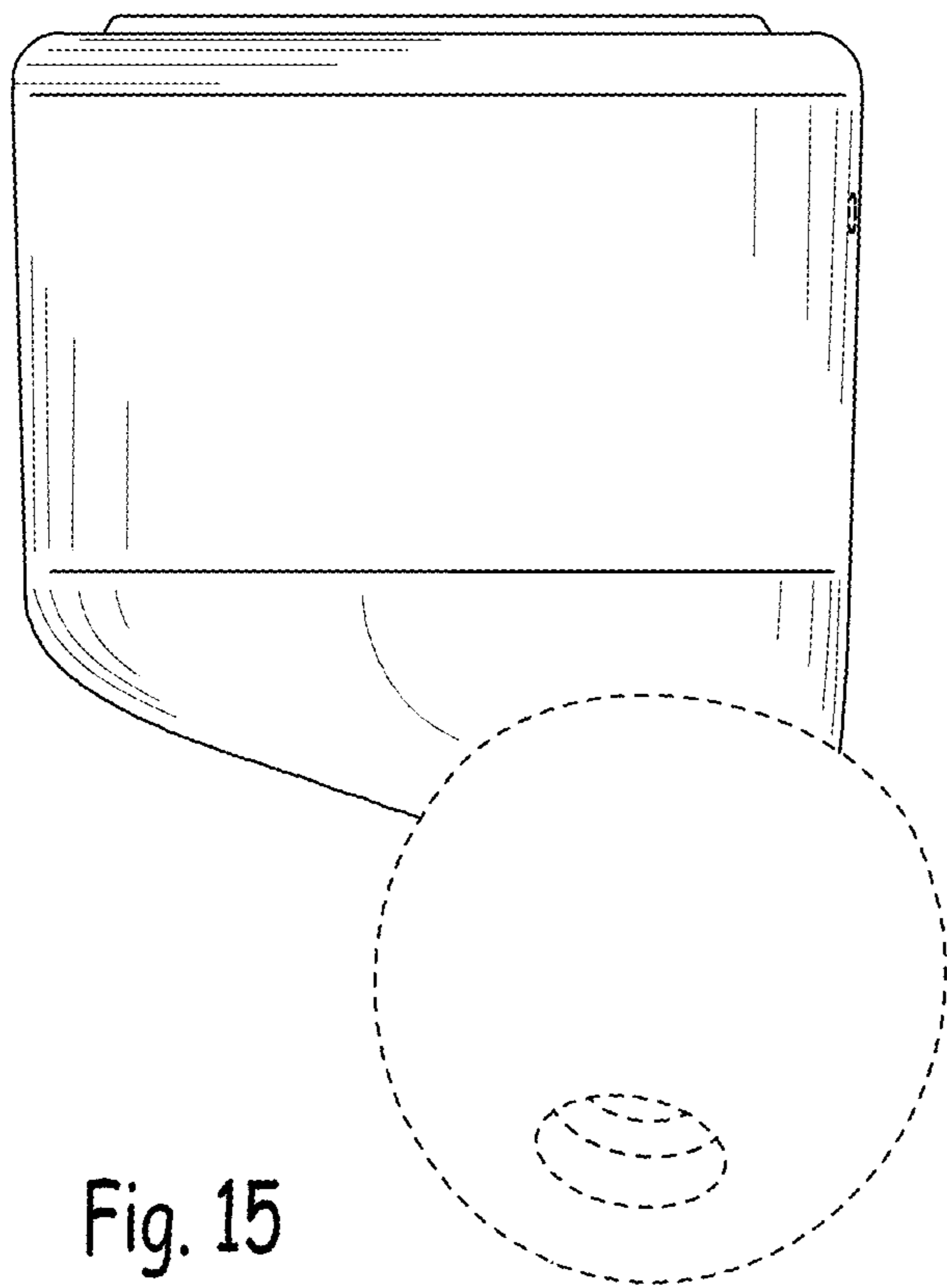


Fig. 15

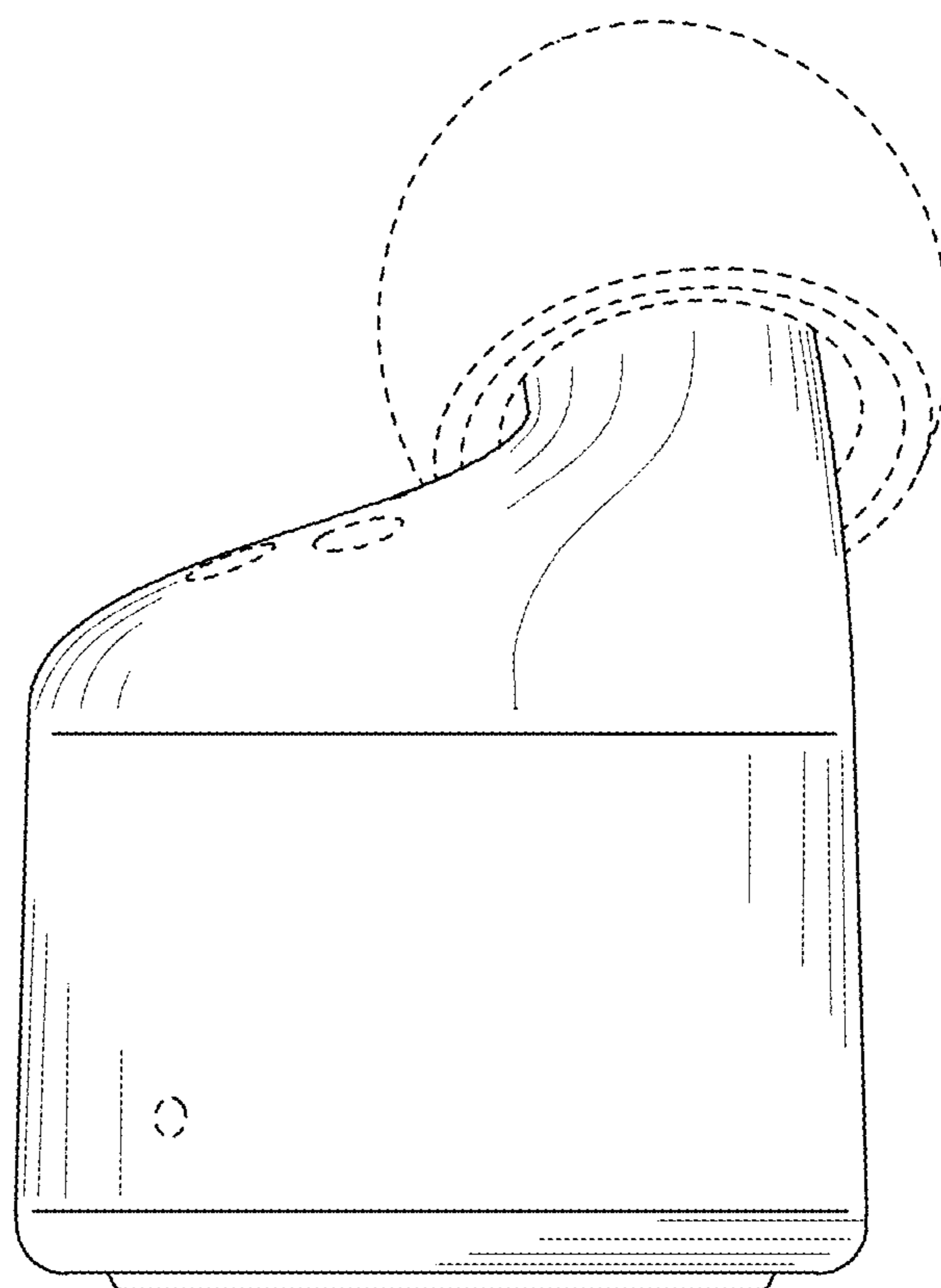


Fig. 16