



US00D945400S

(12) **United States Design Patent**  
**Tian**

(10) **Patent No.:** **US D945,400 S**

(45) **Date of Patent:** **\*\* Mar. 8, 2022**

(54) **WIRELESS EARBUD**

(71) Applicant: **Chenggang Tian, Ziyang (CN)**

(72) Inventor: **Chenggang Tian, Ziyang (CN)**

(\*\*) Term: **15 Years**

(21) Appl. No.: **29/711,273**

(22) Filed: **Oct. 30, 2019**

(51) **LOC (13) Cl.** ..... **14-01**

(52) **U.S. Cl.**  
USPC ..... **D14/223**

(58) **Field of Classification Search**  
USPC ..... D14/223, 205; D24/174; 128/864, 865,  
128/866; 381/380, 381; 455/90.3, 575.1,  
455/569.1  
CPC ..... H04R 1/10; H04R 25/00; H04R 25/02;  
H04R 1/1066; H04R 1/1016; H04R  
5/033; H04R 5/0335; H04R 1/105; H04R  
1/1091

See application file for complete search history.

(56) **References Cited**

**U.S. PATENT DOCUMENTS**

D641,737 S *	7/2011	Krauss	.....	D14/223
D694,220 S *	11/2013	Lee	.....	D14/223
D705,757 S *	5/2014	Yashiro	.....	H04R 1/10
				D14/223
D758,355 S *	6/2016	Lee	.....	D14/223
D800,703 S *	10/2017	Vaclavik	.....	D14/223
D810,720 S *	2/2018	Lee	.....	D14/205
D813,848 S *	3/2018	Palmborg	.....	D14/223
D818,990 S *	5/2018	Tzeng	.....	D14/205
D820,239 S *	6/2018	Yoshimura	.....	D14/223
D822,646 S *	7/2018	Dang	.....	D14/223
D838,259 S *	1/2019	Samrelius	.....	D14/223
D838,693 S *	1/2019	Fu	.....	D14/223
D841,626 S *	2/2019	Tang	.....	D14/223
D845,932 S *	4/2019	Lu	.....	D14/223
D852,171 S *	6/2019	Cai	.....	D14/223

D864,919 S *	10/2019	Bonahoom	.....	D14/223
D866,530 S *	11/2019	Birger	.....	D14/223
D868,752 S *	12/2019	Zhu	.....	D14/223
D870,710 S *	12/2019	Cai	.....	D14/223
D871,376 S *	12/2019	Zhou	.....	D14/223
D872,064 S *	1/2020	Cai	.....	D14/223
D872,065 S *	1/2020	Cai	.....	D14/223
D873,248 S *	1/2020	Weicheng	.....	D14/223
D876,378 S *	2/2020	Zhu	.....	D14/129
D876,398 S *	2/2020	Cai	.....	D14/223
D879,074 S *	3/2020	Komiya	.....	D14/223
D880,457 S *	4/2020	Zhu	.....	D14/223
D882,545 S *	4/2020	Li	.....	D14/205
D883,261 S *	5/2020	Zhang	.....	D14/223
D883,262 S *	5/2020	Wu	.....	D14/223
D887,395 S *	6/2020	Wang	.....	D14/223

(Continued)

**FOREIGN PATENT DOCUMENTS**

CN	304737092	*	7/2018
CN	305459008	*	11/2019

(Continued)

*Primary Examiner* — Paula Allen Greene

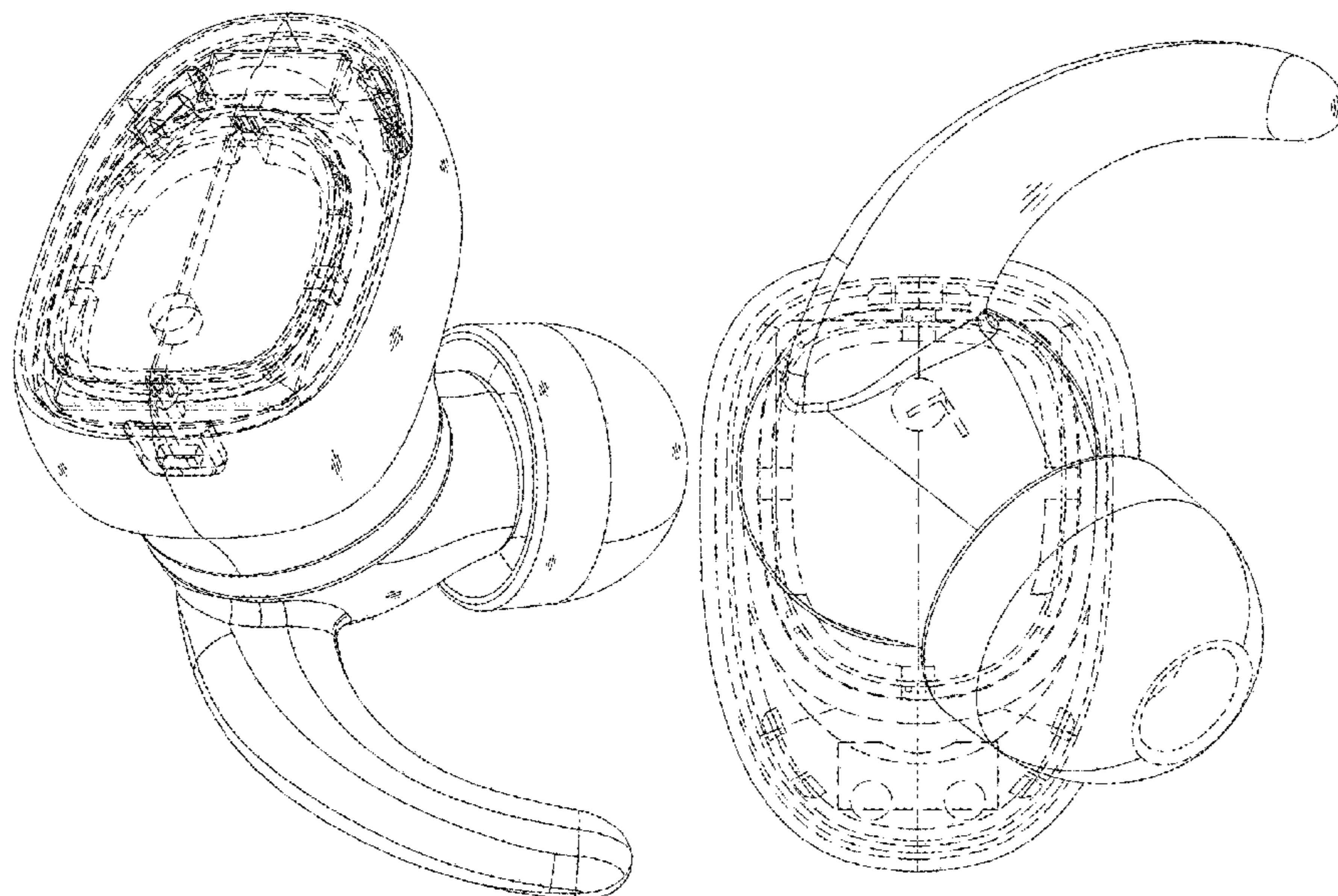
(57) **CLAIM**

The ornamental design for a wireless earbud, as shown and described.

**DESCRIPTION**

FIG. 1 is a perspective view of a wireless earbud showing my new design;  
FIG. 2 is a front elevation view thereof;  
FIG. 3 is a rear elevation view thereof;  
FIG. 4 is a left side elevation view thereof;  
FIG. 5 is a right side elevation view thereof;  
FIG. 6 is a top plan view thereof; and,  
FIG. 7 is a bottom plan view thereof.  
The broken lines in the drawings illustrate portions of the wireless earbud that form no part of the claimed design.

**1 Claim, 7 Drawing Sheets**



(56)

**References Cited**

U.S. PATENT DOCUMENTS

10,692,482 B2 \* 6/2020 Zhu ..... H04R 1/1016  
D889,405 S \* 7/2020 McCool ..... D13/110  
D889,441 S \* 7/2020 Lin ..... D14/223  
D890,122 S \* 7/2020 Krakovskiy ..... D14/205  
D892,085 S \* 8/2020 Kim ..... D14/223  
D897,321 S \* 9/2020 Wei ..... D14/223  
10,835,145 B1 \* 11/2020 Prevoir ..... H04R 1/1016  
D904,350 S \* 12/2020 Zhou ..... D14/223  
D921,614 S \* 6/2021 Yoshimura ..... D14/223  
D922,357 S \* 6/2021 Yang ..... D14/223  
D925,493 S \* 7/2021 Kirkpatrick ..... D14/223  
2008/0002848 A1 \* 1/2008 Heerlein ..... H04R 25/604  
381/328  
2018/0027318 A1 \* 1/2018 Witt ..... H04R 1/1016  
381/182  
2018/0295437 A1 \* 10/2018 Chen ..... H04R 1/105  
2019/0261079 A1 \* 8/2019 Okawa ..... H04R 1/1016  
2020/0016006 A1 \* 1/2020 Van Den Hout ..... A61F 11/12  
2021/0044885 A1 \* 2/2021 Fukahori ..... G06F 3/044  
2021/0099786 A1 \* 4/2021 Sasaki ..... H04R 1/1075  
2021/0136477 A1 \* 5/2021 Ozawa ..... H04R 1/10

FOREIGN PATENT DOCUMENTS

EM 006865119-0004 \* 9/2019  
EM 007147178-0001 \* 10/2019  
EM 008057566-0001 \* 7/2020

\* cited by examiner

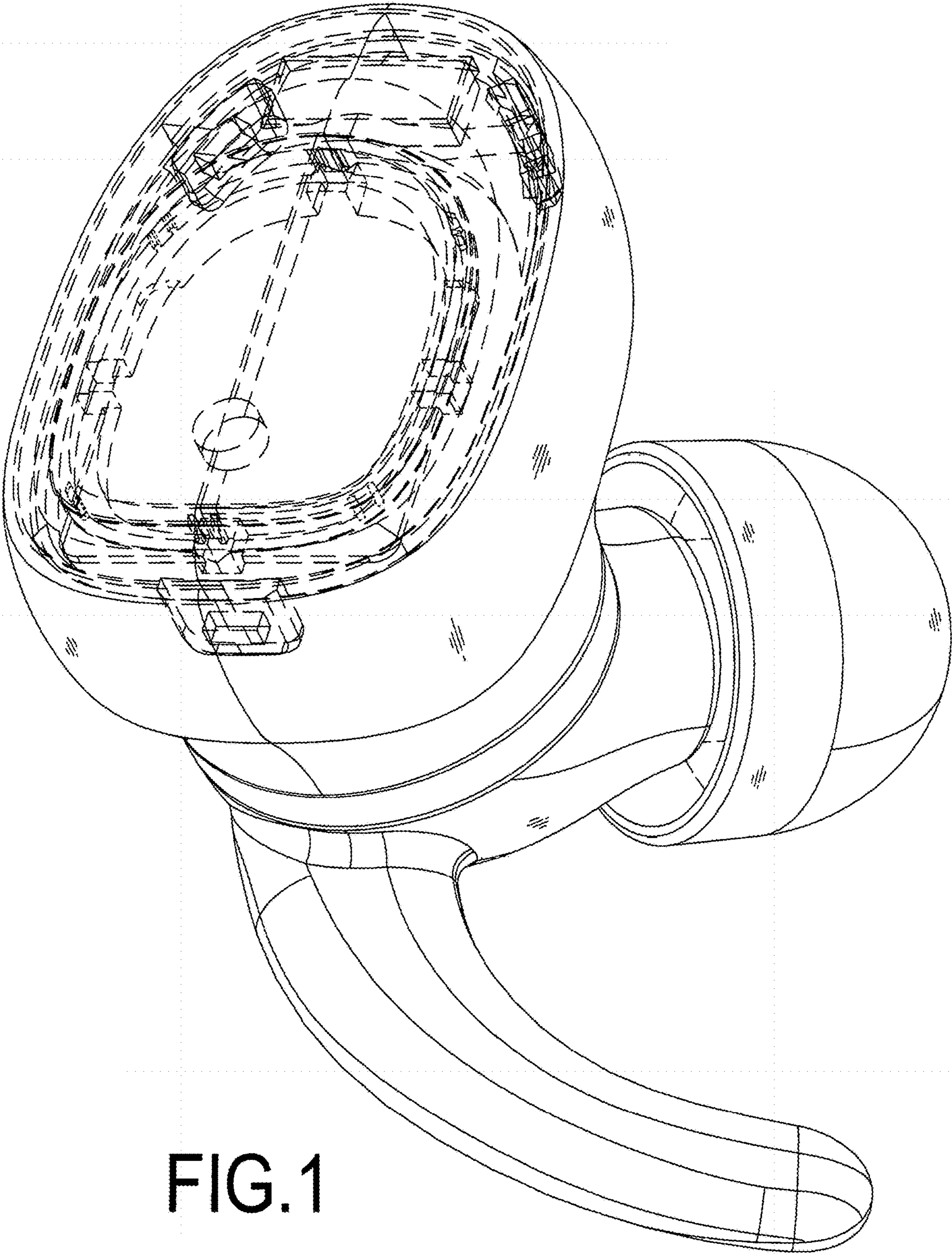


FIG. 1

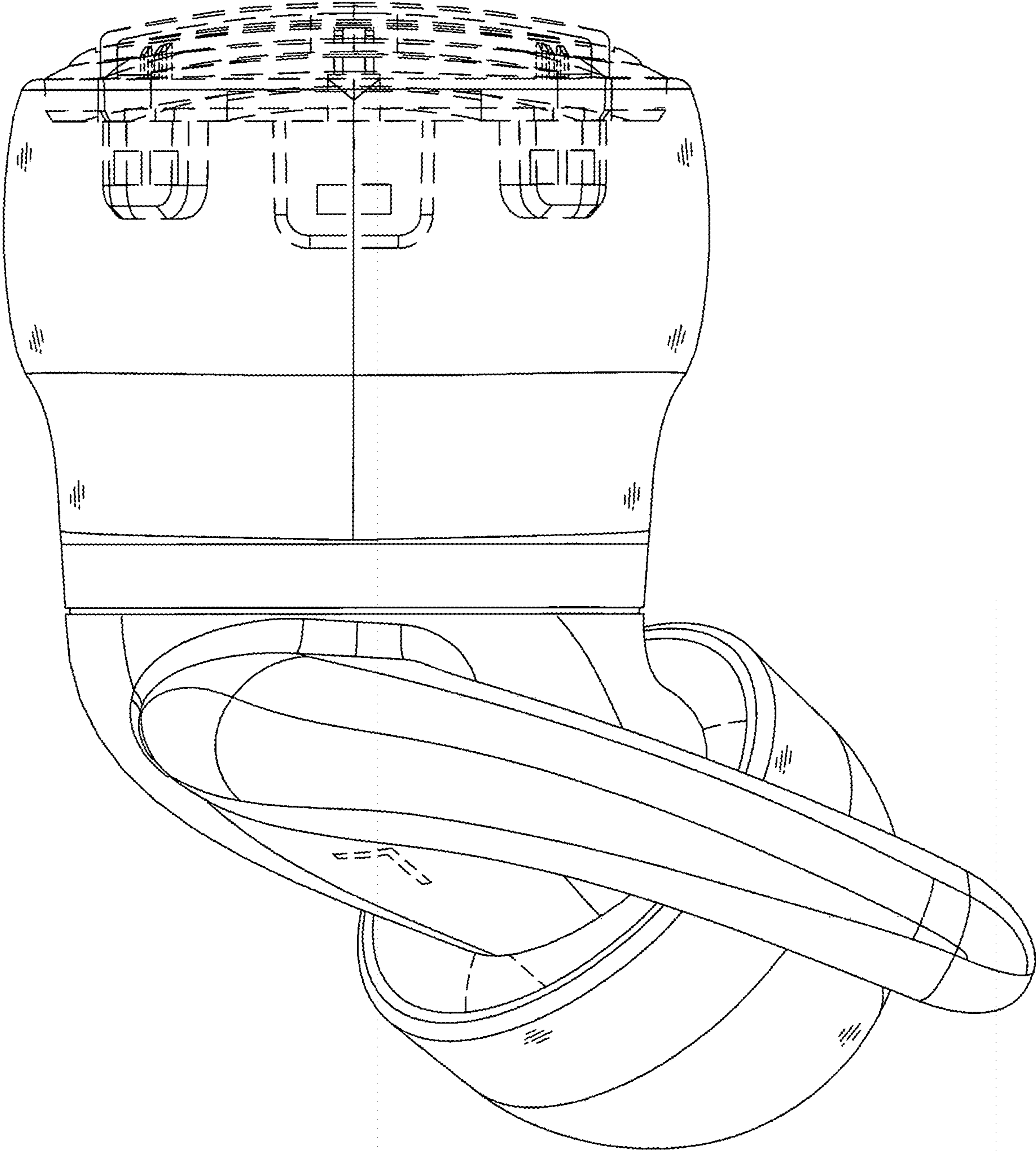


FIG.2

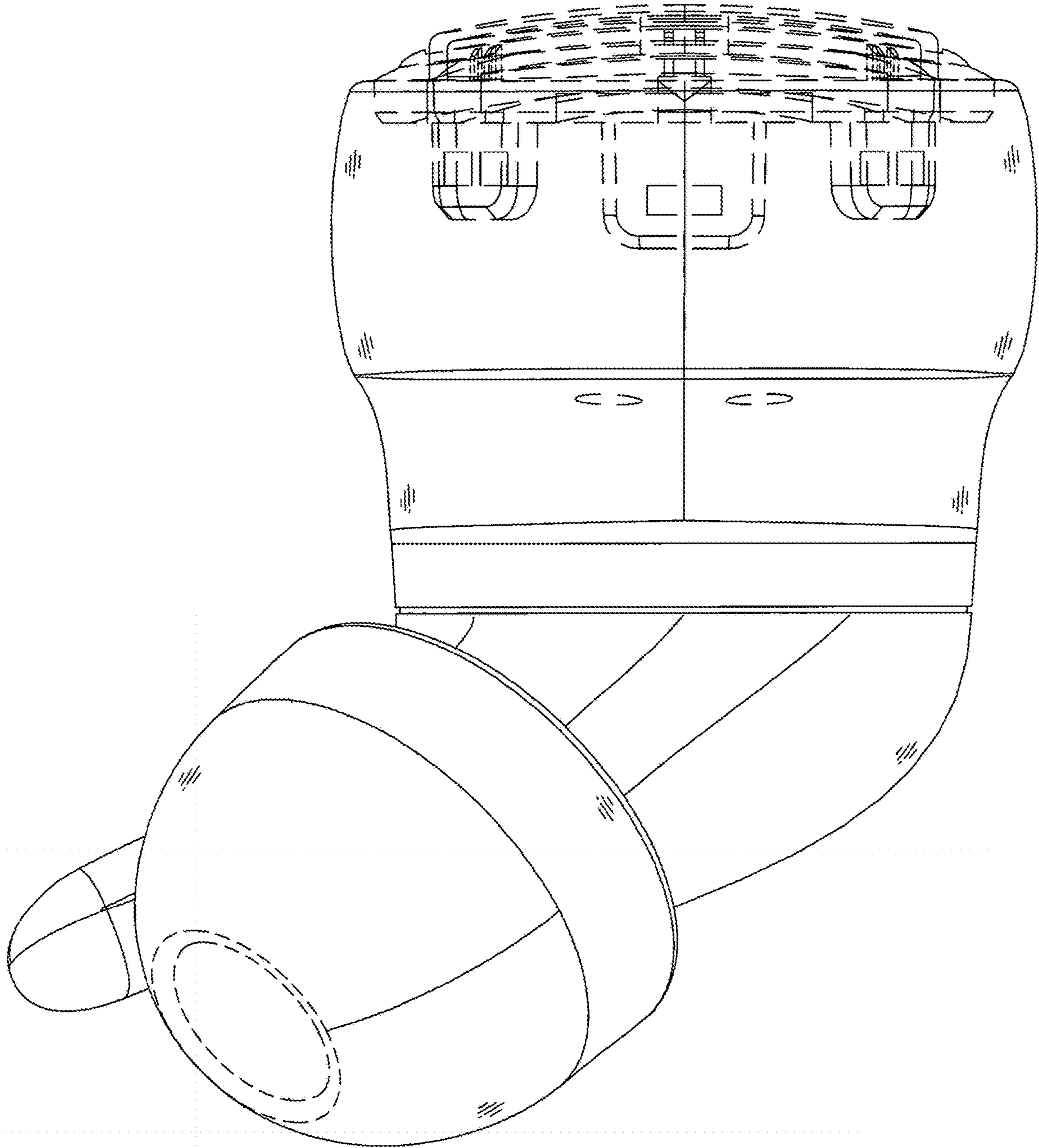


FIG.3

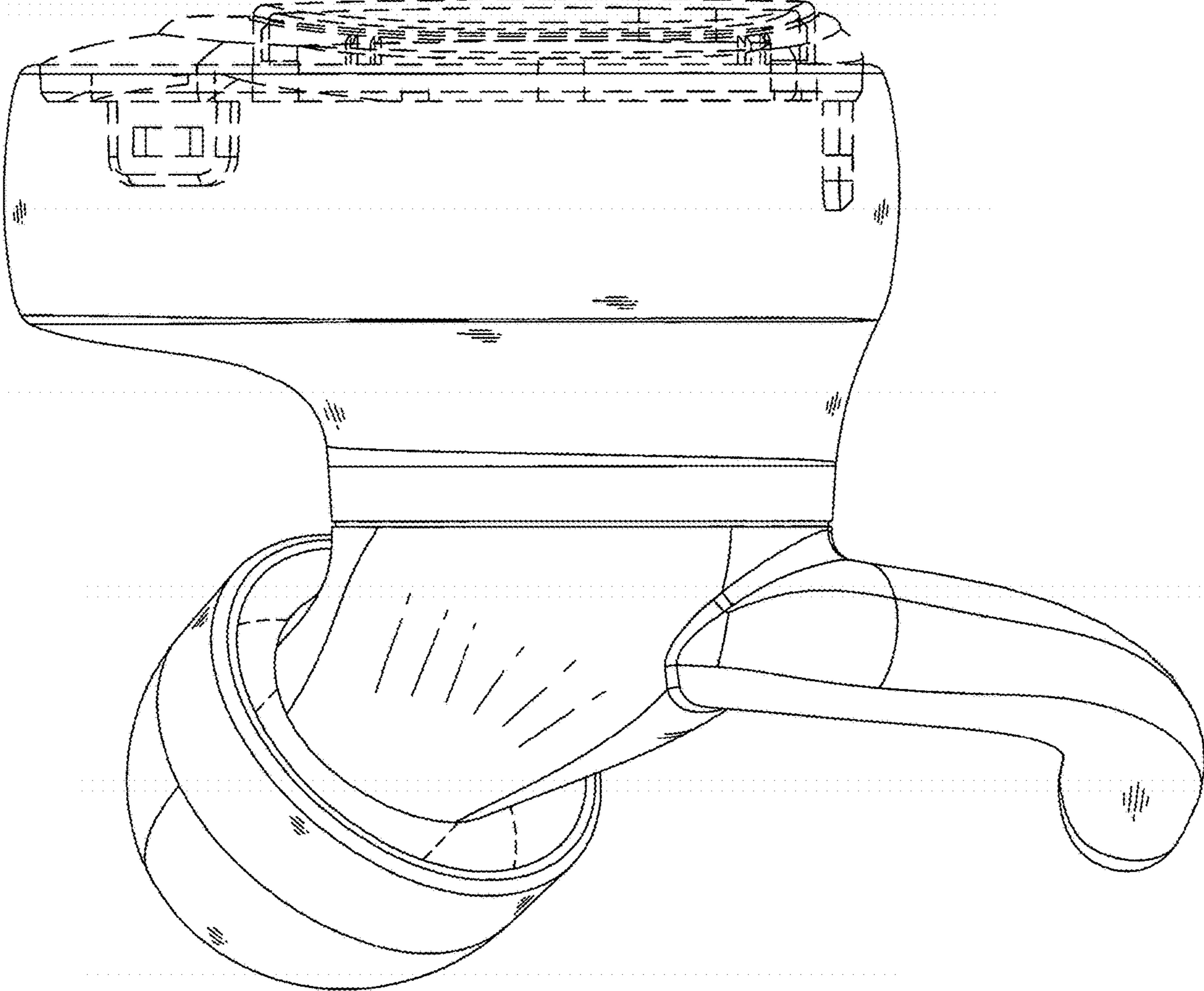


FIG.4

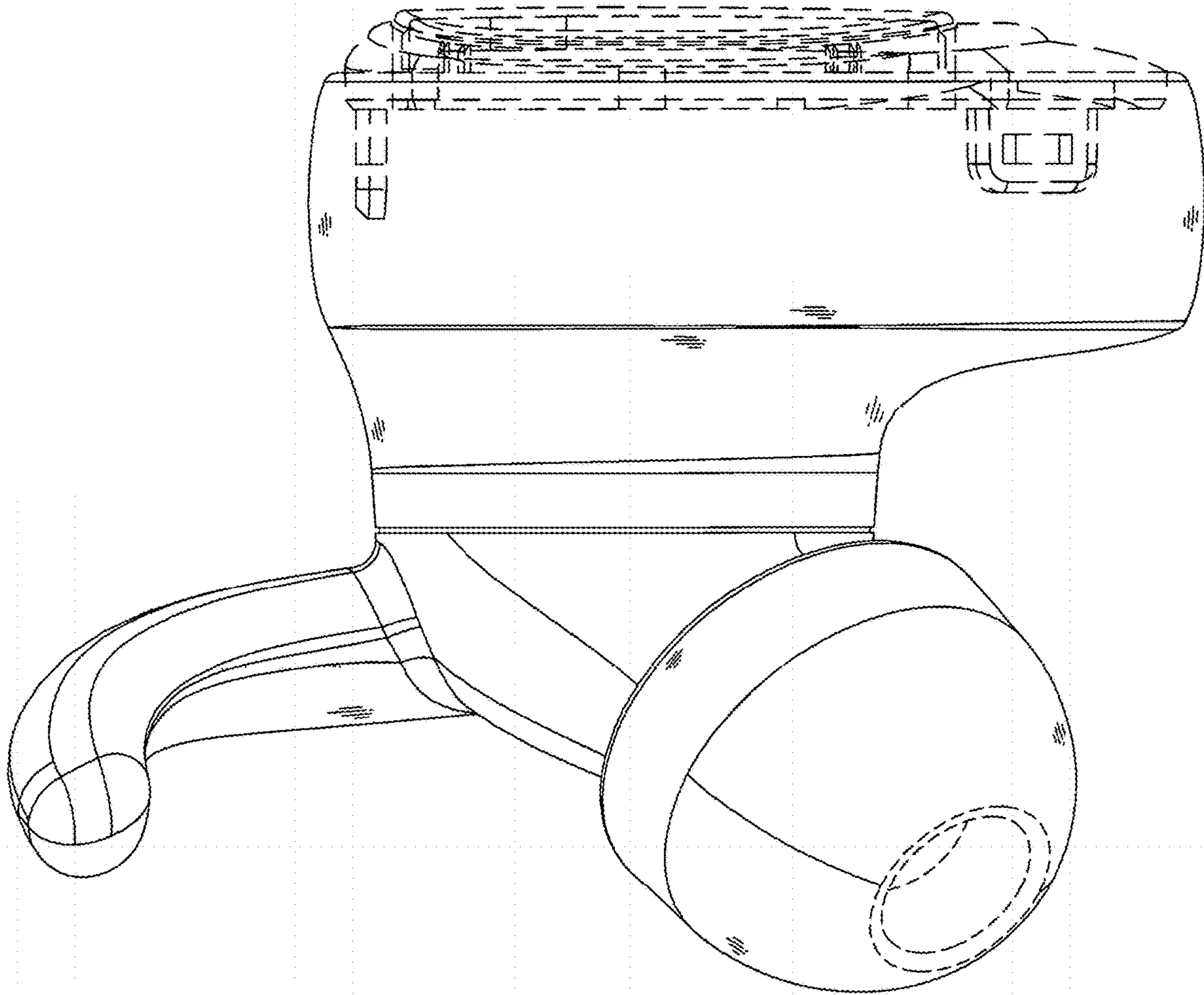


FIG.5

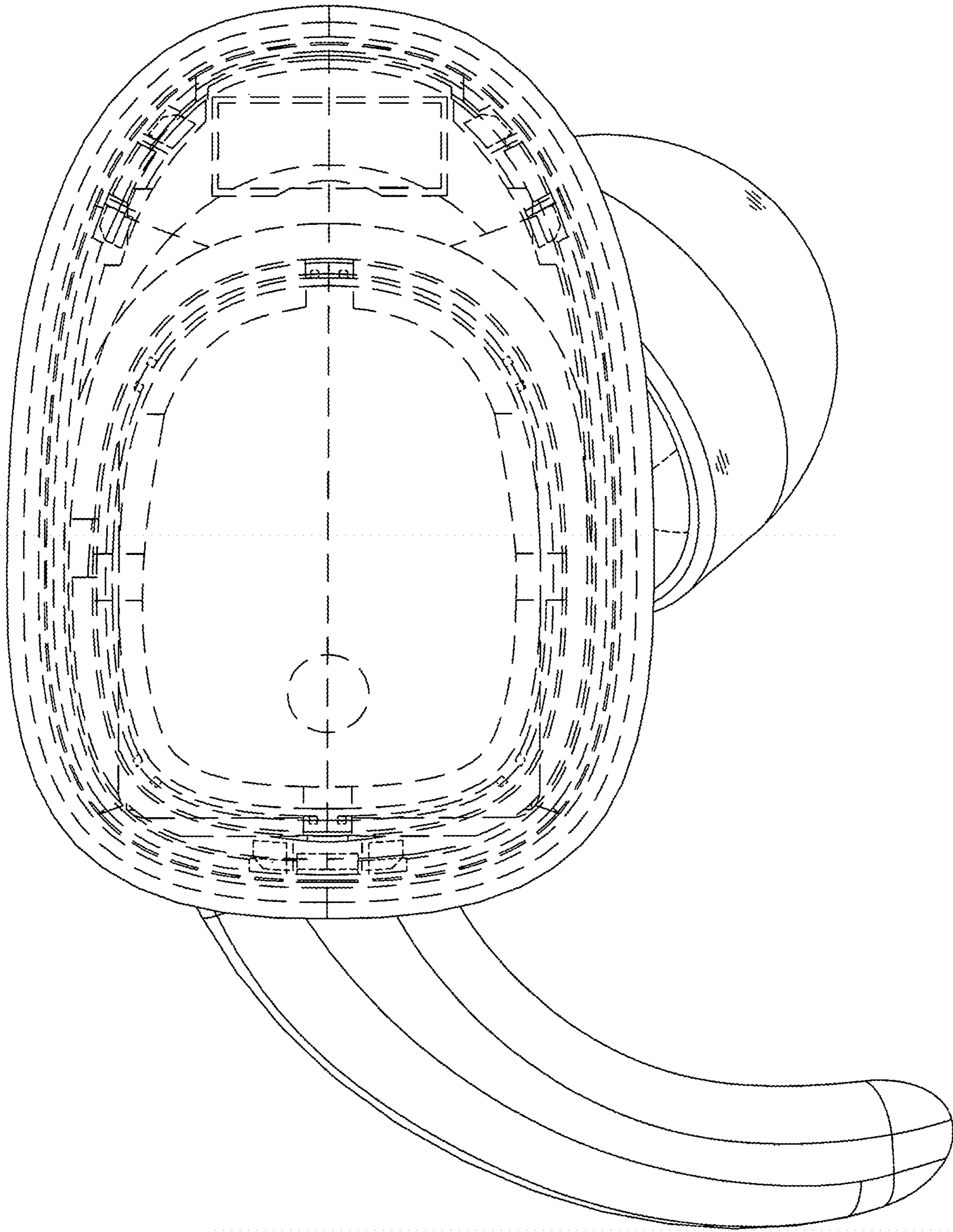


FIG.6



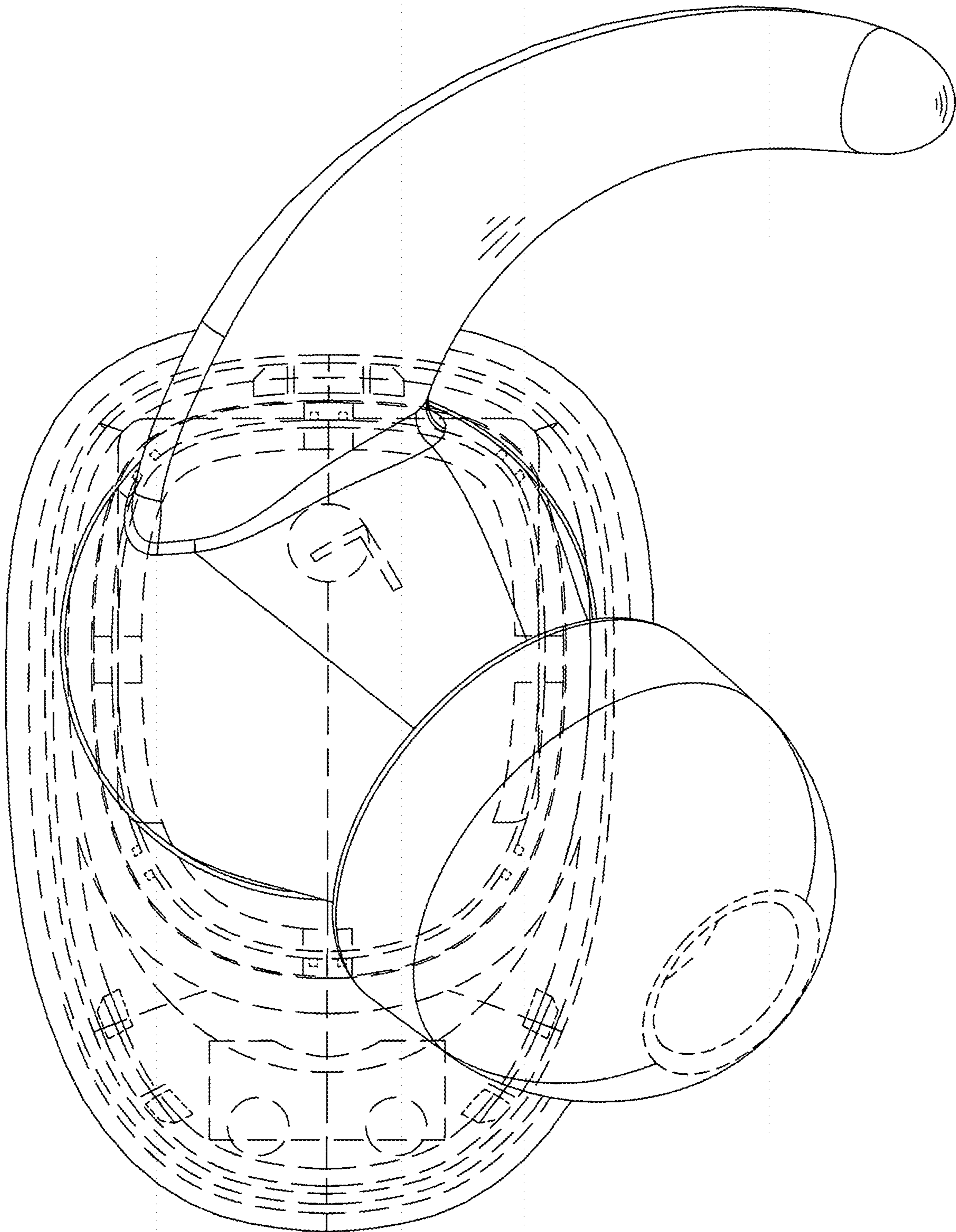


FIG.7