



US00D945399S

(12) **United States Design Patent**
Bowers

(10) **Patent No.: US D945,399 S**

(45) **Date of Patent: ** Mar. 8, 2022**

- (54) **TAIL FOR A REMOTE CONTROL**
- (71) Applicant: **Brett Bowers**, Ardrossan (CA)
- (72) Inventor: **Brett Bowers**, Ardrossan (CA)
- (**) Term: **15 Years**
- (21) Appl. No.: **29/787,756**
- (22) Filed: **Jun. 8, 2021**

Related U.S. Application Data

- (62) Division of application No. 29/682,371, filed on Mar. 5, 2019, now Pat. No. Des. 924,205.

Foreign Application Priority Data

- (30) Sep. 5, 2018 (CA) CA 183322
- (51) **LOC (13) Cl.** **14-03**
- (52) **U.S. Cl.**
USPC **D14/218; D3/218**
- (58) **Field of Classification Search**
USPC D13/168; D8/356; D14/217, 218, 434;
D19/34; D20/22, 23, 24, 27; D21/456,
D21/597, 623, 657, 659, 694; D24/189;
D11/5
CPC A45F 5/00; A45F 5/021; A45F 2005/008;
A45F 2003/144; A45F 2200/0516; G09F
23/00
See application file for complete search history.

References Cited

U.S. PATENT DOCUMENTS

- D22,775 S * 9/1893 Best D19/34
- 1,266,296 A * 5/1918 Mark A63H 27/10
446/224
- D144,564 S * 4/1946 Heil D19/34
- D163,657 S * 6/1951 Wagner D19/34

- 3,102,634 A * 9/1963 Borisof C09J 7/38
401/52
- D272,931 S * 3/1984 Burgi D21/650
- 4,445,894 A * 5/1984 Kovacs A61M 25/02
128/DIG. 26
- 4,489,867 A * 12/1984 Schwemberger A44C 5/0038
224/219
- D280,529 S * 9/1985 Cox D19/141
- 4,646,731 A * 3/1987 Brower A61B 17/085
602/57
- D297,248 S * 8/1988 Barr D20/22
- 4,976,056 A * 12/1990 Roberts G09F 3/10
40/638
- D351,060 S * 10/1994 Randazzo D3/218
- D369,606 S * 5/1996 Marks D14/218
- D374,767 S * 10/1996 Leach D3/218
- D381,023 S * 7/1997 Accardo D10/104.1
- D384,669 S * 10/1997 Collier D14/218
- D405,118 S * 2/1999 Murphy, Sr. D20/11
- D412,706 S * 8/1999 Virost D14/217
- D433,227 S * 11/2000 Evans D2/629
- D455,255 S * 4/2002 Zeigler D3/218
- D471,599 S * 3/2003 Manville D21/493

(Continued)

Primary Examiner — Selina Sikder

(74) *Attorney, Agent, or Firm* — Sander R. Gelsing

(57) **CLAIM**

The ornamental design for a tail for a remote control, as shown and described.

DESCRIPTION

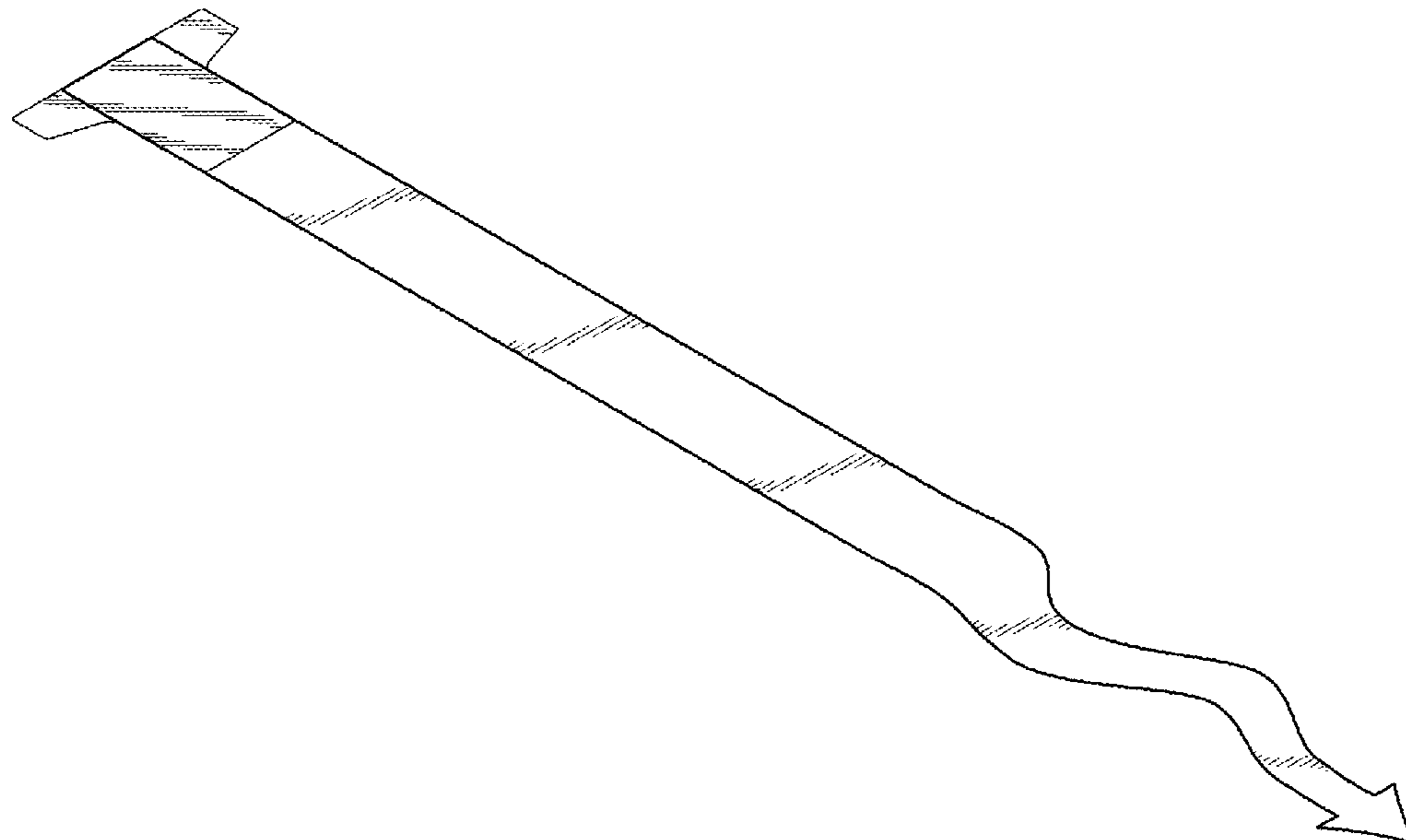
FIG. 1 is a front elevation view of the tail for a remote control, the rear elevation view being a mirror image thereof;

FIG. 2 is a side elevation view of the tail for a remote control;

FIG. 3 is a top plan view thereof, the bottom plan being a mirror image thereof; and,

FIG. 4 is a perspective view of the tail for a remote control.

1 Claim, 1 Drawing Sheet



(56)

References Cited

U.S. PATENT DOCUMENTS

6,559,350	B1 *	5/2003	Tetreault	A61F 13/023 602/42
6,606,768	B2 *	8/2003	Henry	A45F 5/00 24/298
D491,168	S *	6/2004	Petrick	D14/218
D505,785	S *	6/2005	Woody	D3/215
D564,976	S *	3/2008	Billings	D13/168
D570,101	S *	6/2008	Harris	D3/218
D589,963	S *	4/2009	Sheba	D14/217
7,524,307	B2 *	4/2009	Davis	A61M 25/02 128/DIG. 26
D611,611	S *	3/2010	Sachi	D24/189
D624,974	S *	10/2010	Taylor	D21/657
D647,079	S *	10/2011	Woods	D14/217
D656,544	S *	3/2012	Bensoussan	D19/34
D666,409	S *	9/2012	Andre	D3/218
D676,490	S *	2/2013	Bratter	D20/27
D677,652	S *	3/2013	Gifford	D14/217
D897,994	S *	10/2020	Bowers	D14/218
2001/0035121	A1 *	11/2001	Huling	G09F 23/00 116/200

* cited by examiner

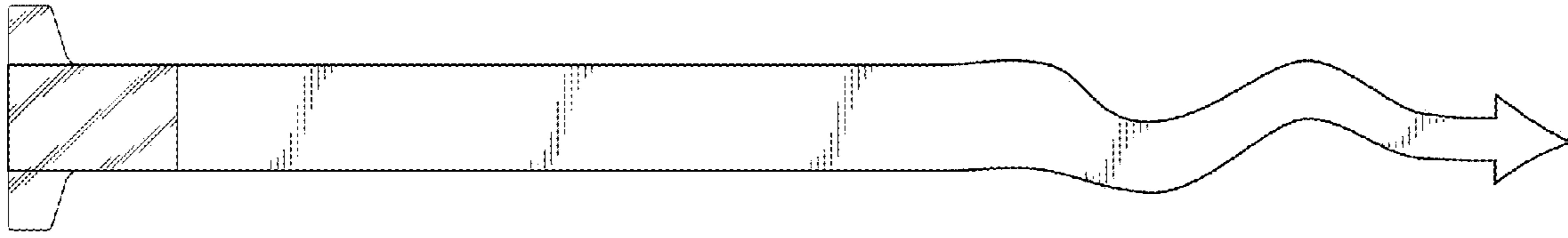


FIG. 1

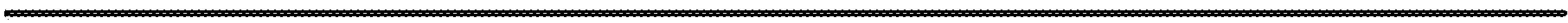


FIG. 2

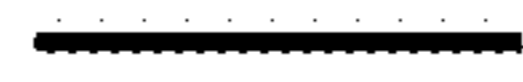


FIG. 3

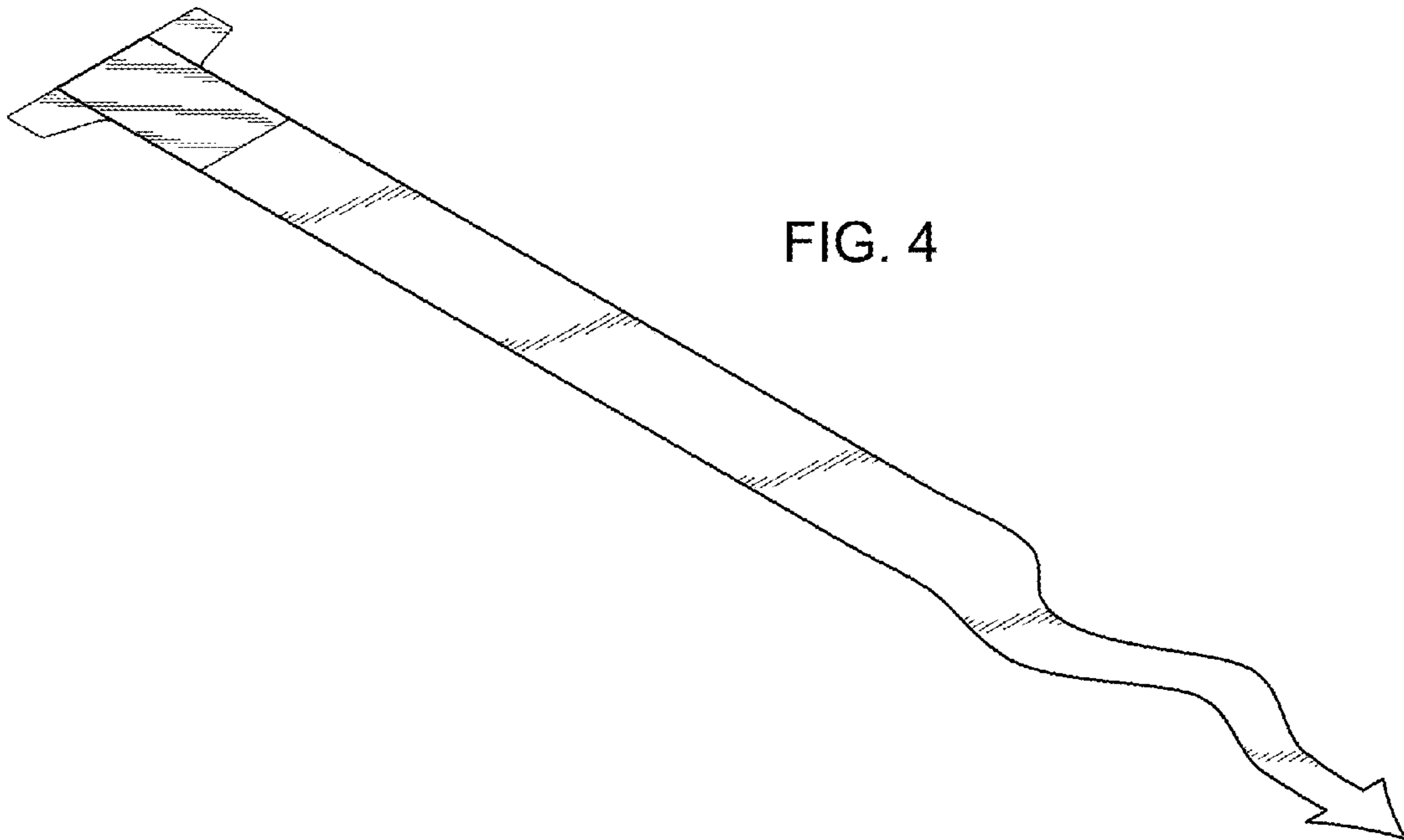


FIG. 4