

US00D945396S

(12) **United States Design Patent**  
**Kuang**

(10) **Patent No.:** **US D945,396 S**  
(45) **Date of Patent:** **\*\* Mar. 8, 2022**

(54) **WHITE NOISE MACHINE**

(71) Applicant: **Zhixiang Kuang**, Shenzhen (CN)

(72) Inventor: **Zhixiang Kuang**, Shenzhen (CN)

(\*\*) Term: **15 Years**

(21) Appl. No.: **29/785,050**

(22) Filed: **May 24, 2021**

(51) **LOC (13) Cl.** ..... **14-01**

(52) **U.S. Cl.**

USPC ..... **D14/215**; D14/214; D14/197

(58) **Field of Classification Search**

USPC ..... D14/167, 168, 170–172, 188, 194–197,  
D14/203.1–203.8, 204, 209.1, 210–216,  
D14/219, 221, 222, 224, 239, 496  
CPC ..... B60R 11/0217; G06F 1/1688; G10K 9/22;  
G10K 11/004; H03F 1/327; H04M 1/03;  
H04M 1/035; H04N 5/642; H04N  
21/4852; H04R 1/02; H04R 1/06; H04R  
1/021; H04R 1/025; H04R 1/026; H04R  
1/028; H04R 1/105; H04R 1/323; H04R  
1/403; H04R 1/2803; H04R 1/2834;  
H04R 5/02; H04R 7/20; H04R 9/06;  
H04R 9/025; H04R 2201/021; H04R  
2400/00; H04R 2400/07; H04R 2499/11;  
H04R 2499/13; H04R 2499/15; H04S  
3/00; H04S 7/30

See application file for complete search history.

(56) **References Cited**

**U.S. PATENT DOCUMENTS**

D300,322 S \* 3/1989 Lam ..... D14/189  
D319,830 S \* 9/1991 Miyai ..... D14/195

D344,949 S \* 3/1994 So ..... D14/192  
D396,722 S \* 8/1998 Benedetti ..... D14/194  
D400,881 S \* 11/1998 Lee ..... D14/194  
D464,941 S \* 10/2002 Latto ..... D14/203.3  
D480,381 S \* 10/2003 Harris ..... D14/188  
D504,125 S \* 4/2005 Tien ..... D14/188  
D533,188 S \* 12/2006 Chan ..... D14/203.3  
D772,873 S \* 11/2016 Kowal ..... D14/358  
D893,445 S \* 8/2020 Wall ..... D14/188

\* cited by examiner

*Primary Examiner* — Keli L Hill

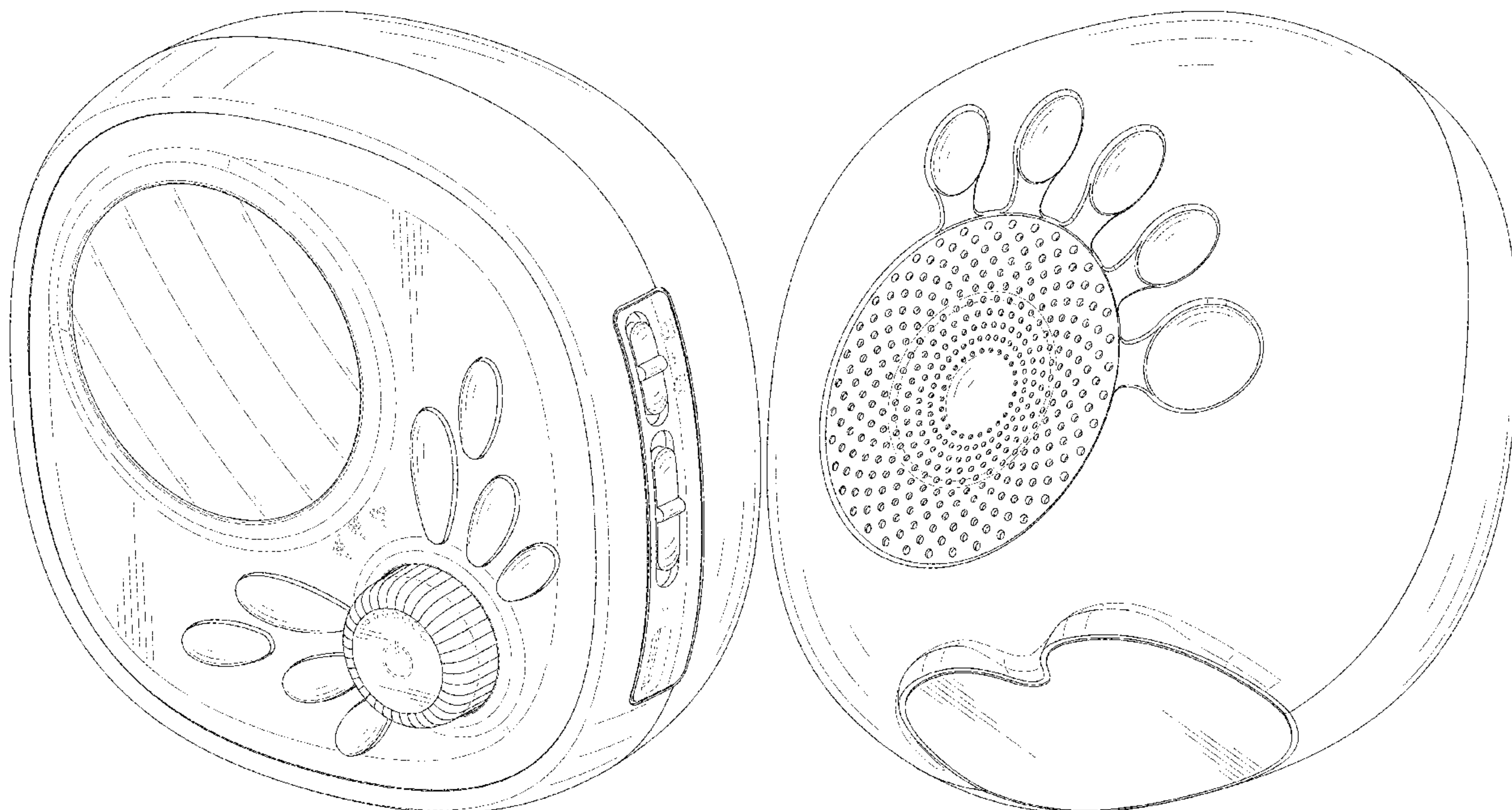
(57) **CLAIM**

The ornamental design for a white noise machine, as shown and described.

**DESCRIPTION**

FIG. 1 is a perspective view of a white noise machine showing my new design;  
FIG. 2 is another perspective view thereof;  
FIG. 3 is a front elevational view thereof;  
FIG. 4 is a rear elevational view thereof;  
FIG. 5 is a left side elevational view thereof;  
FIG. 6 is a right side elevational view thereof;  
FIG. 7 is a top plan view thereof; and,  
FIG. 8 is a bottom plan view thereof.  
The broken lines in the drawings depict portions of the white noise machine that form no part of the claimed design.

**1 Claim, 8 Drawing Sheets**



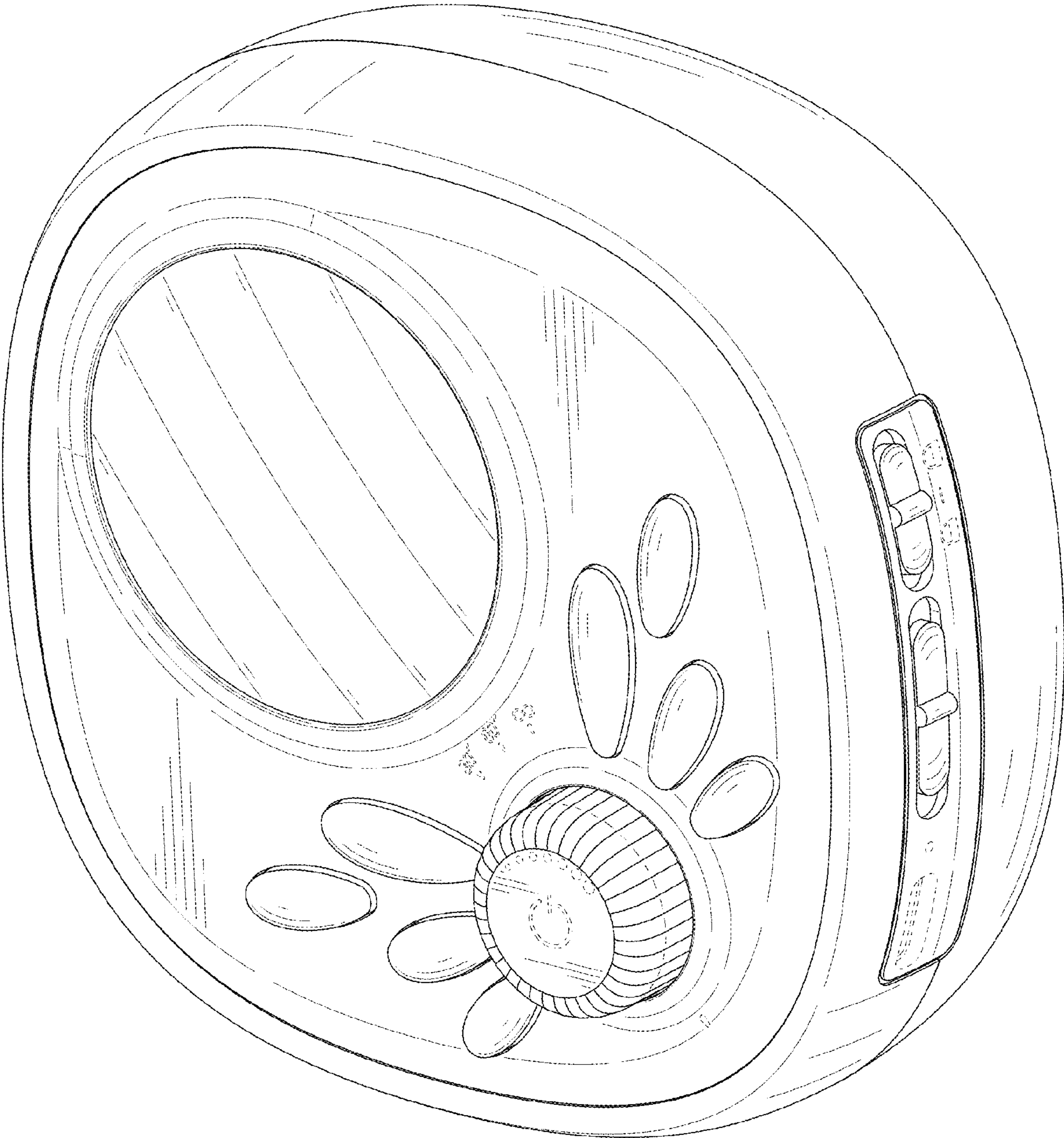


FIG. 1



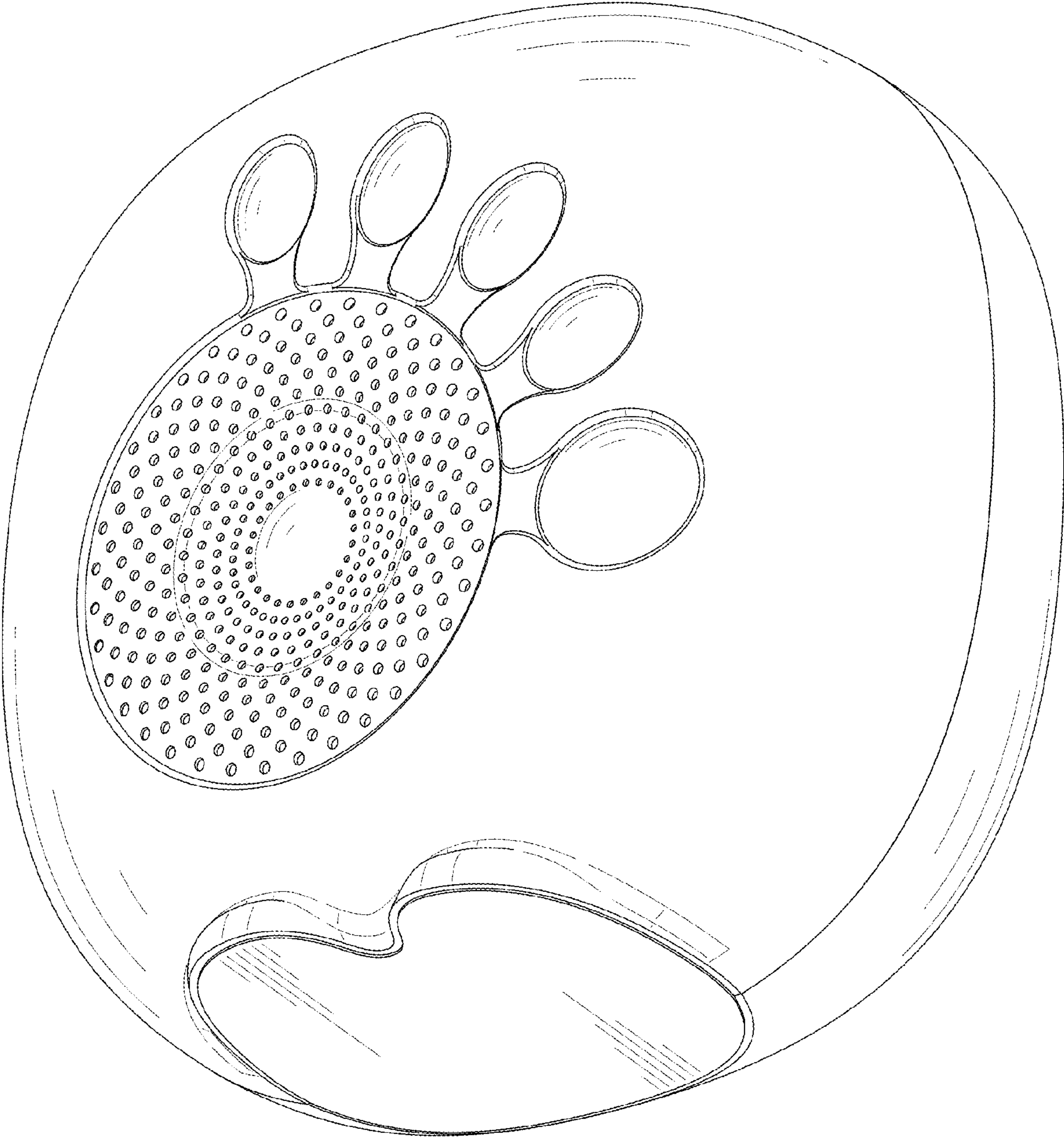


FIG. 2

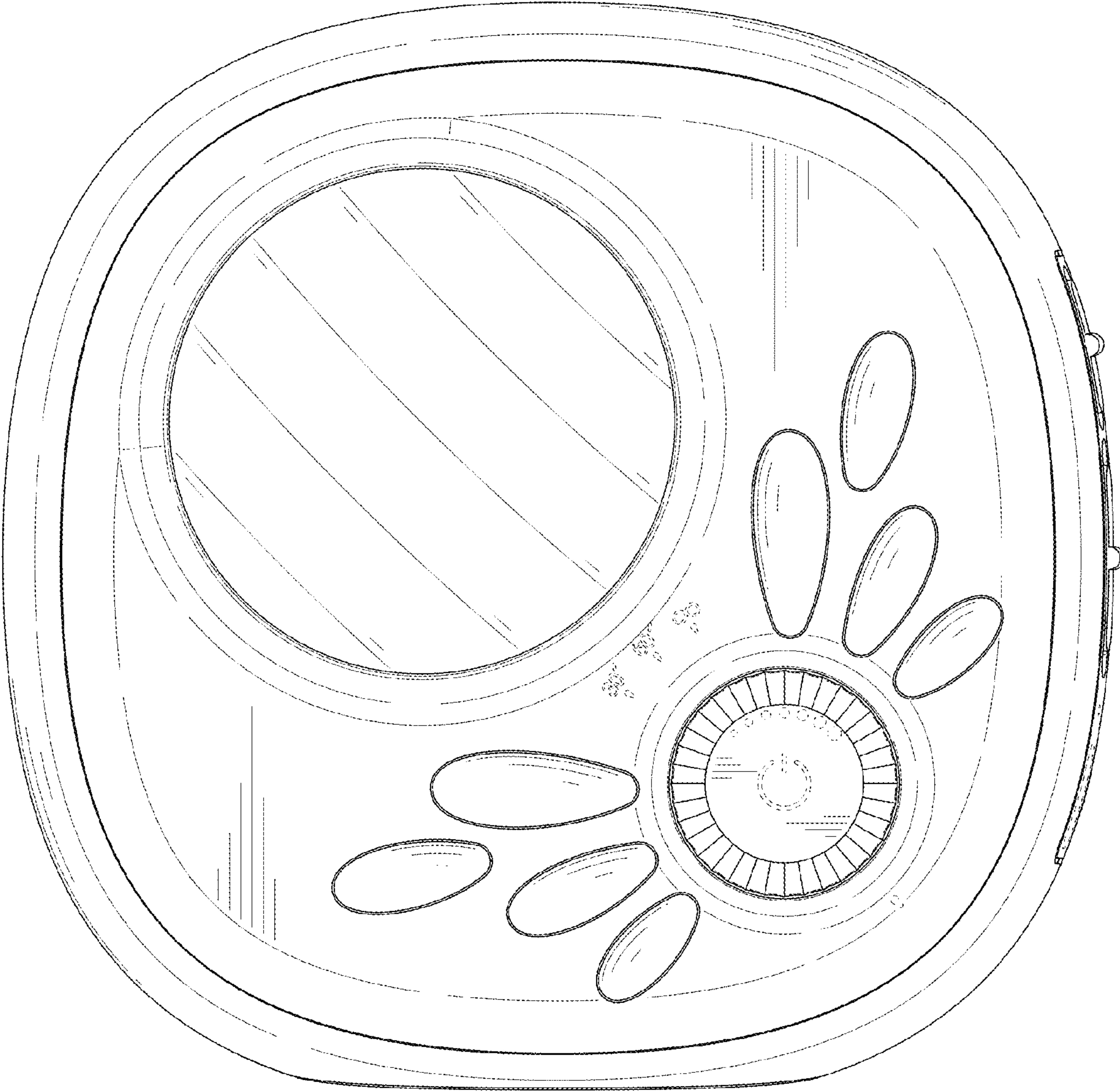


FIG. 3

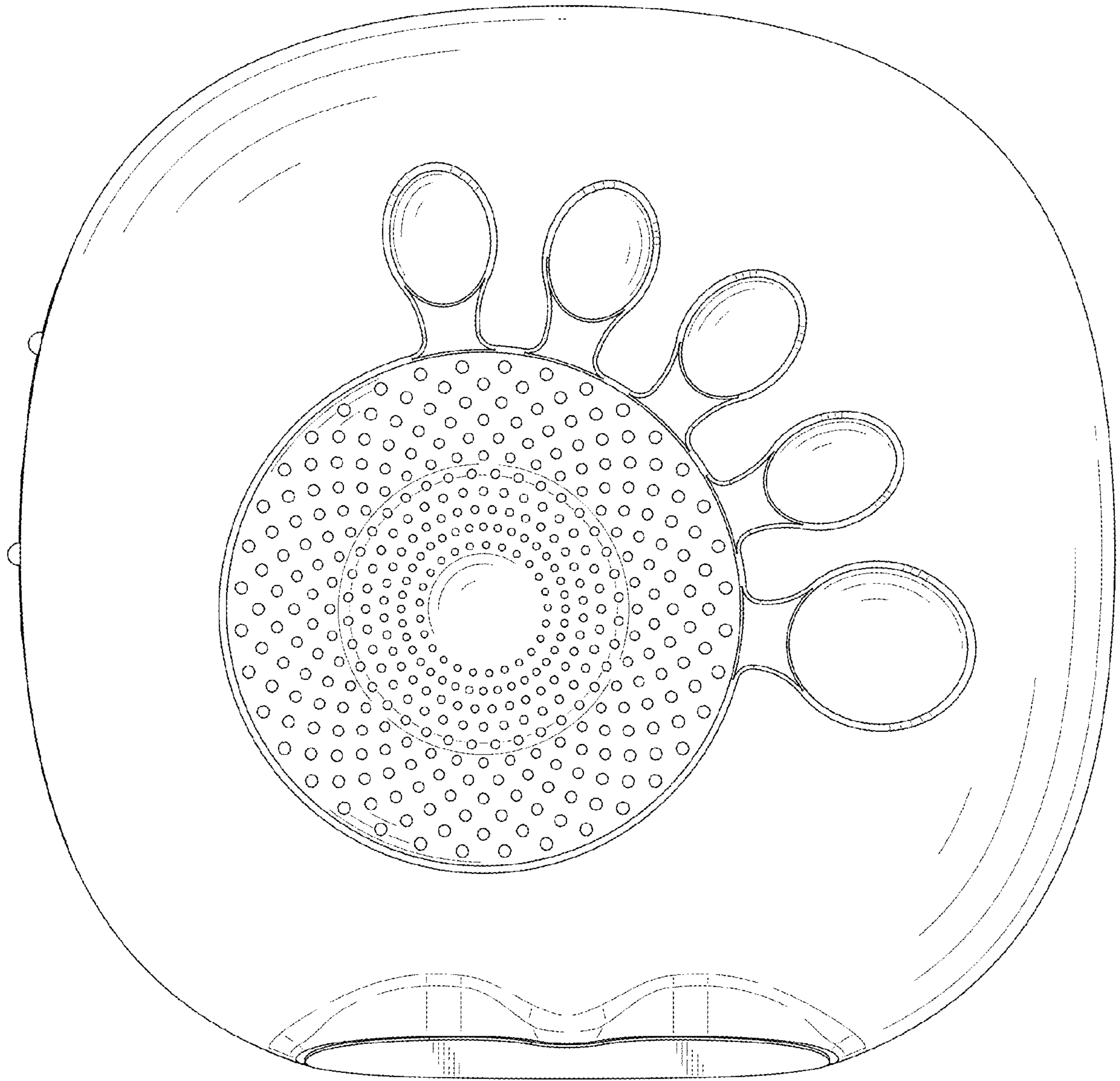


FIG. 4

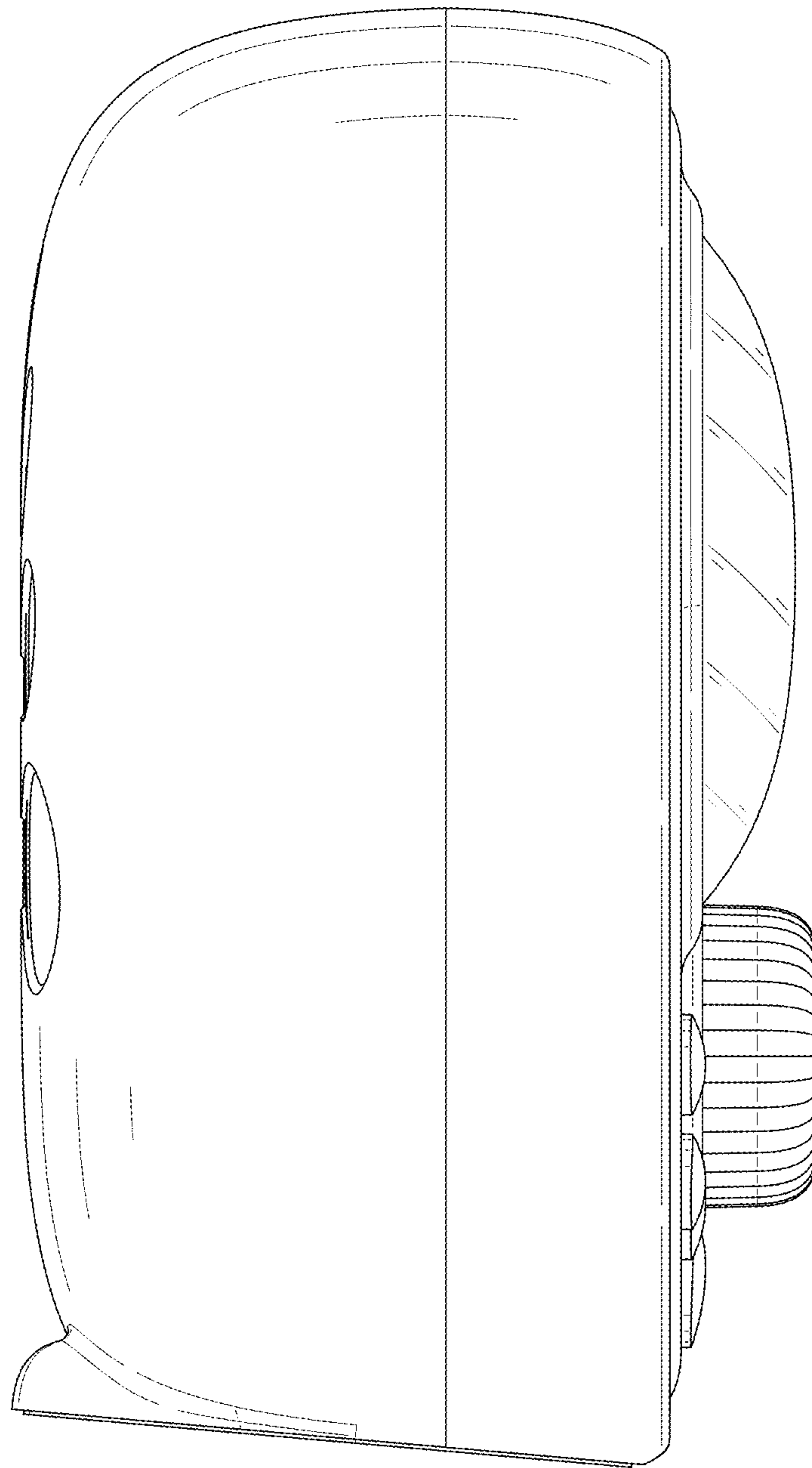


FIG. 5



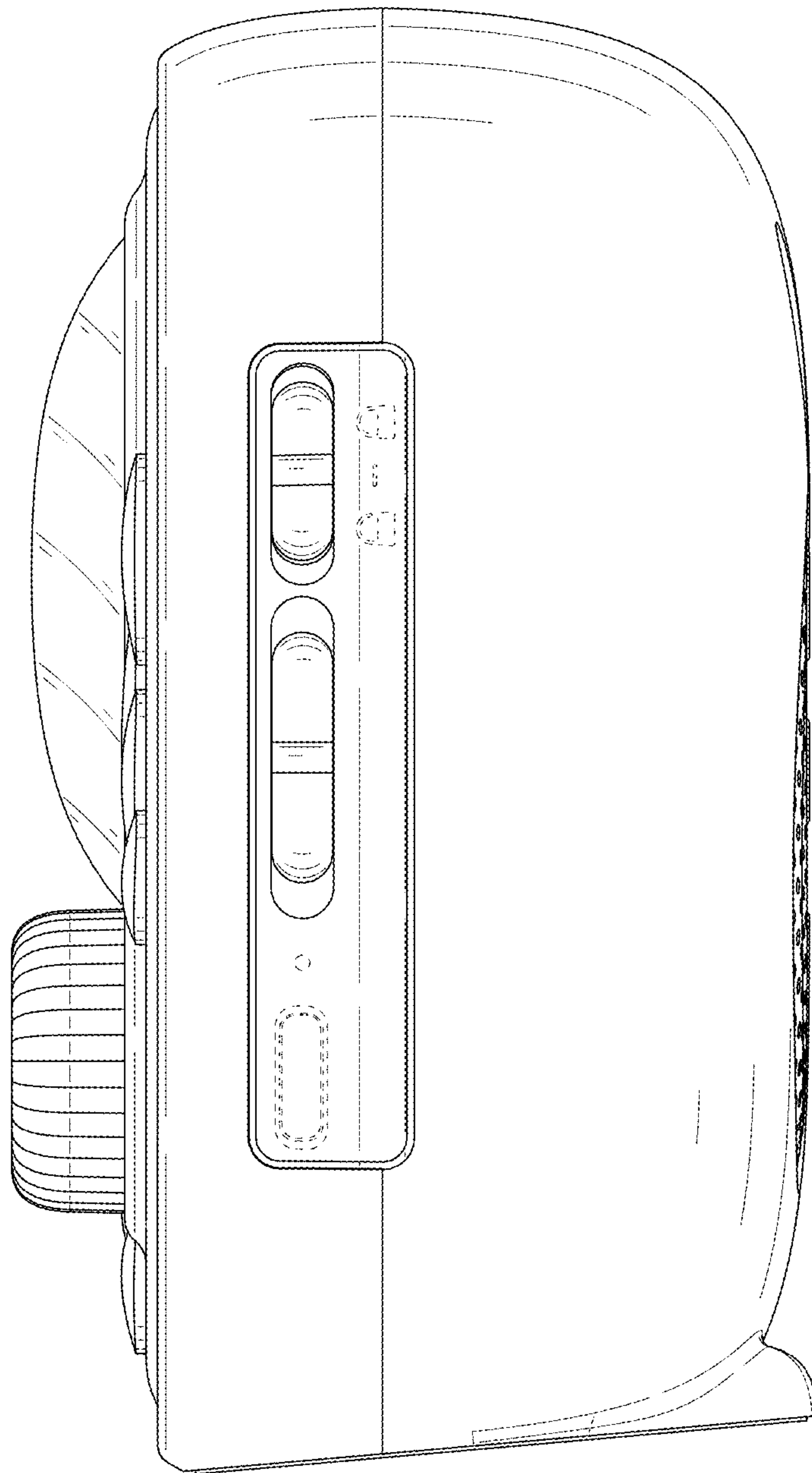


FIG. 6

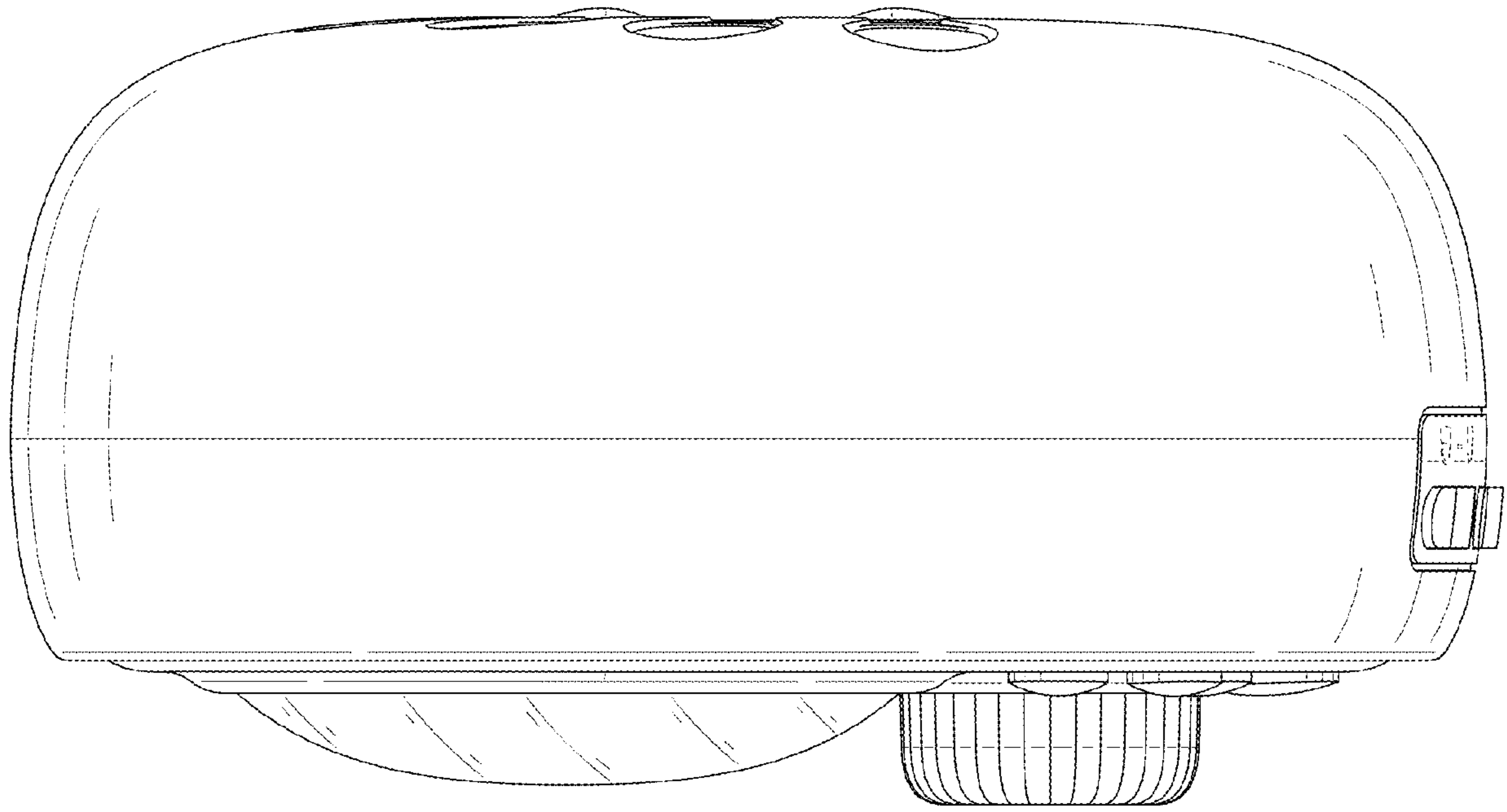


FIG. 7



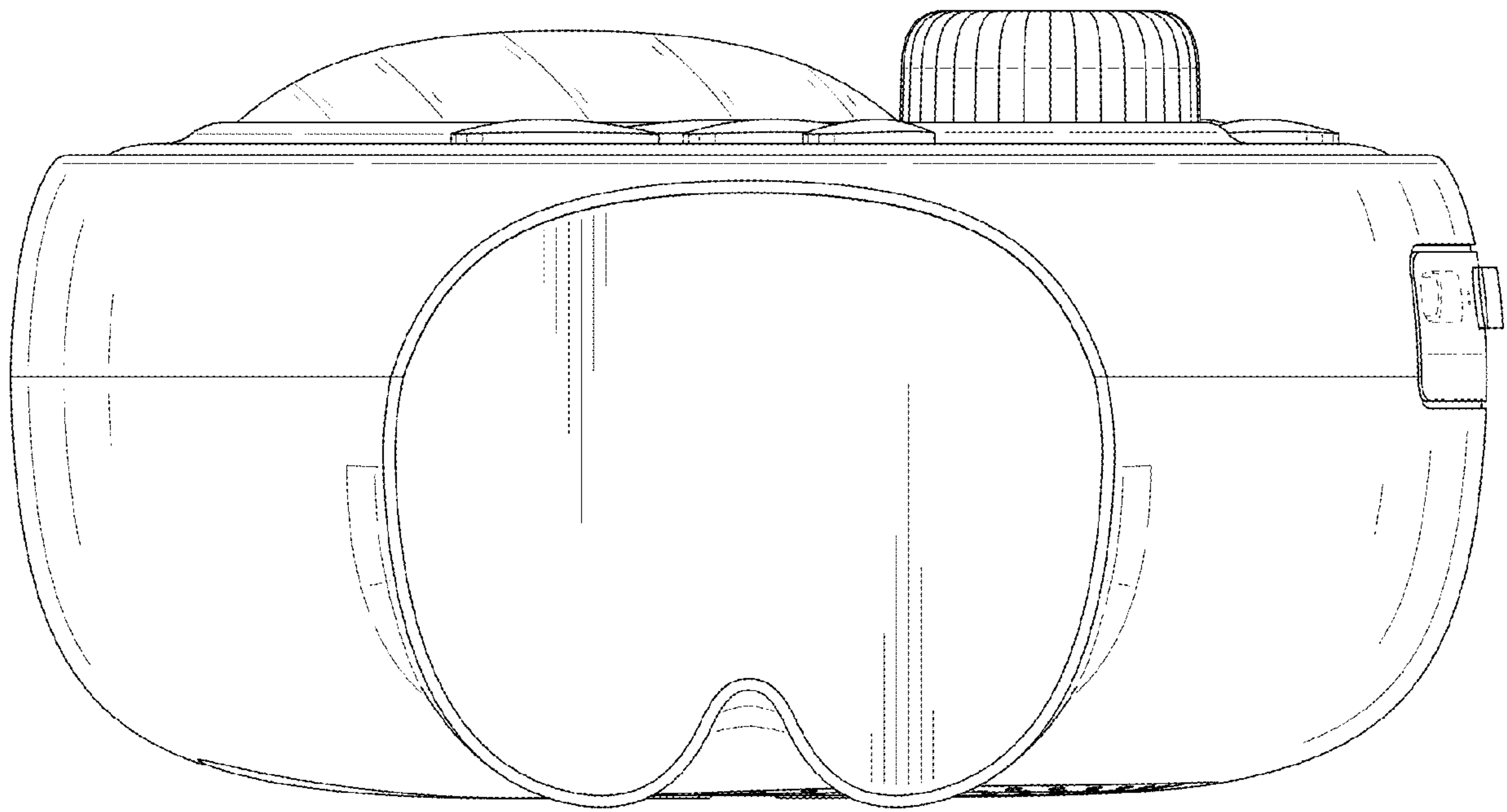


FIG. 8