

US00D945395S

(12) **United States Design Patent**
Chan

(10) **Patent No.:** **US D945,395 S**
(45) **Date of Patent:** **** Mar. 8, 2022**

(54) **SPEAKER**

(71) Applicant: **KYE SYSTEMS CORP.**, New Taipei (TW)
(72) Inventor: **Chi-Wai Chan**, New Taipei (TW)
(73) Assignee: **KYE SYSTEMS CORP.**, New Taipei (TW)
(**) Term: **15 Years**

(21) Appl. No.: **29/701,821**

(22) Filed: **Aug. 15, 2019**

(51) **LOC (13) Cl.** **14-01**

(52) **U.S. Cl.**
USPC **D14/215**

(58) **Field of Classification Search**
USPC D14/167, 168, 170–172, 188, 194–197, D14/203.1–203.8, 204, 209.1, 210–216, D14/219, 221, 222, 224, 239, 496
CPC B60R 11/0217; G06F 1/1688; G10K 9/22; G10K 11/004; H03F 1/327; H04M 1/03; H04M 1/035; H04N 5/642; H04N 21/4852; H04R 1/02; H04R 1/06; H04R 1/021; H04R 1/025; H04R 1/026; H04R 1/028; H04R 1/105; H04R 1/323; H04R 1/403; H04R 1/2803; H04R 1/2834; H04R 5/02; H04R 7/20; H04R 9/06; H04R 9/025; H04R 2201/021; H04R 2400/00; H04R 2400/07; H04R 2499/11; H04R 2499/13; H04R 2499/15; H04S 3/00; H04S 7/30

See application file for complete search history.

(56) **References Cited**

U.S. PATENT DOCUMENTS

D624,048 S *	9/2010	Kim	D14/215
D664,122 S *	7/2012	Cho	D14/215
D671,527 S *	11/2012	Lee	D14/215
D678,866 S *	3/2013	Davies	D14/215
D716,765 S *	11/2014	Kim	D14/215
D729,201 S *	5/2015	Park	D14/214
D848,974 S *	5/2019	Kitazawa	D14/215
D919,596 S *	5/2021	Chan	D14/214

* cited by examiner

Primary Examiner — Keli L Hill

(74) *Attorney, Agent, or Firm* — Bruce Stone LLP; Joseph A. Bruce

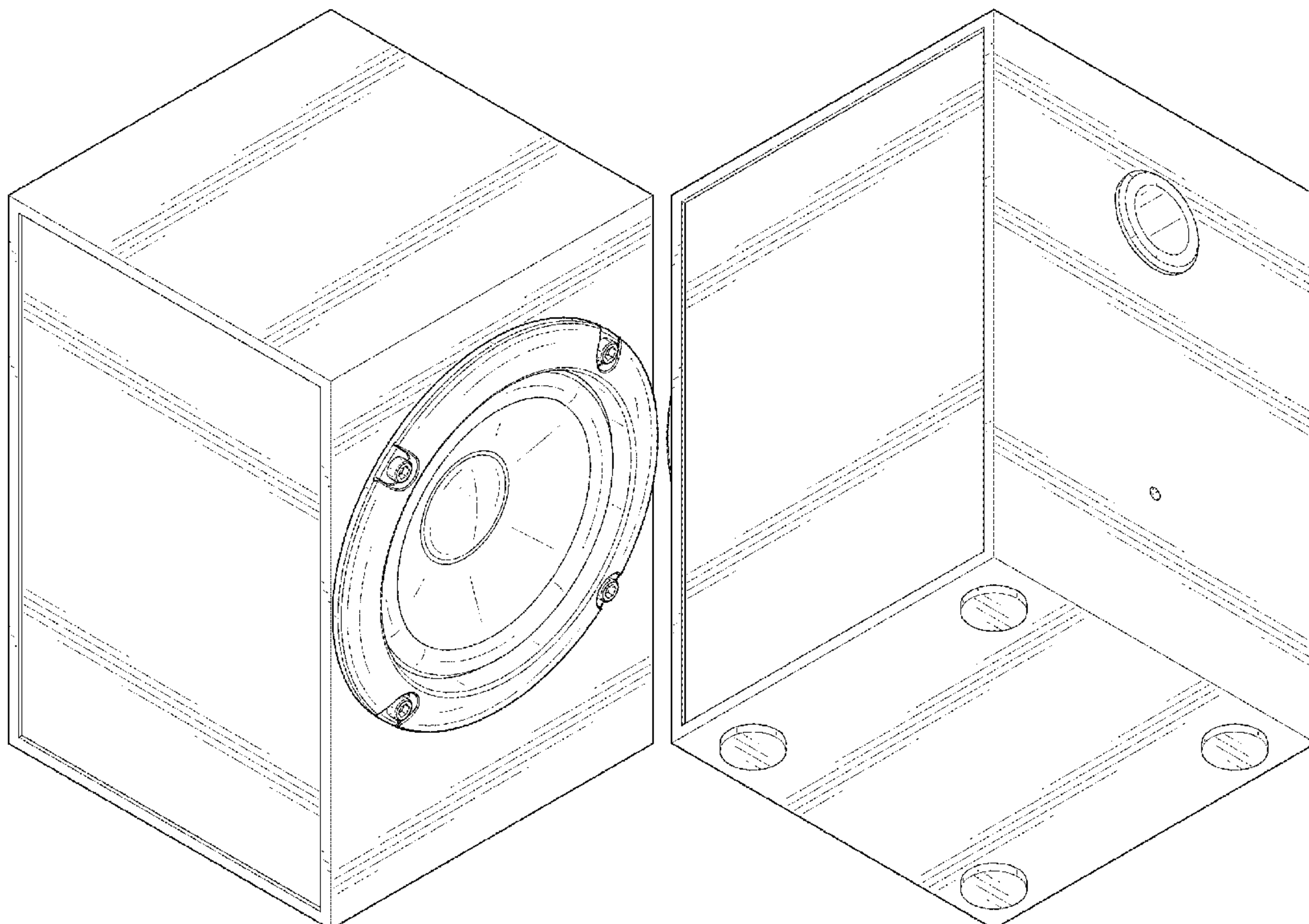
(57) **CLAIM**

The ornamental design for a speaker, as shown.

DESCRIPTION

FIG. 1 is a front perspective view of a speaker showing my new design;
FIG. 2 is a rear perspective view thereof;
FIG. 3 is a front elevational view thereof;
FIG. 4 is a rear elevational view thereof;
FIG. 5 is a left side elevational view thereof;
FIG. 6 is a right side elevational view thereof;
FIG. 7 is a top plan view thereof; and,
FIG. 8 is a bottom plan view thereof.

1 Claim, 7 Drawing Sheets



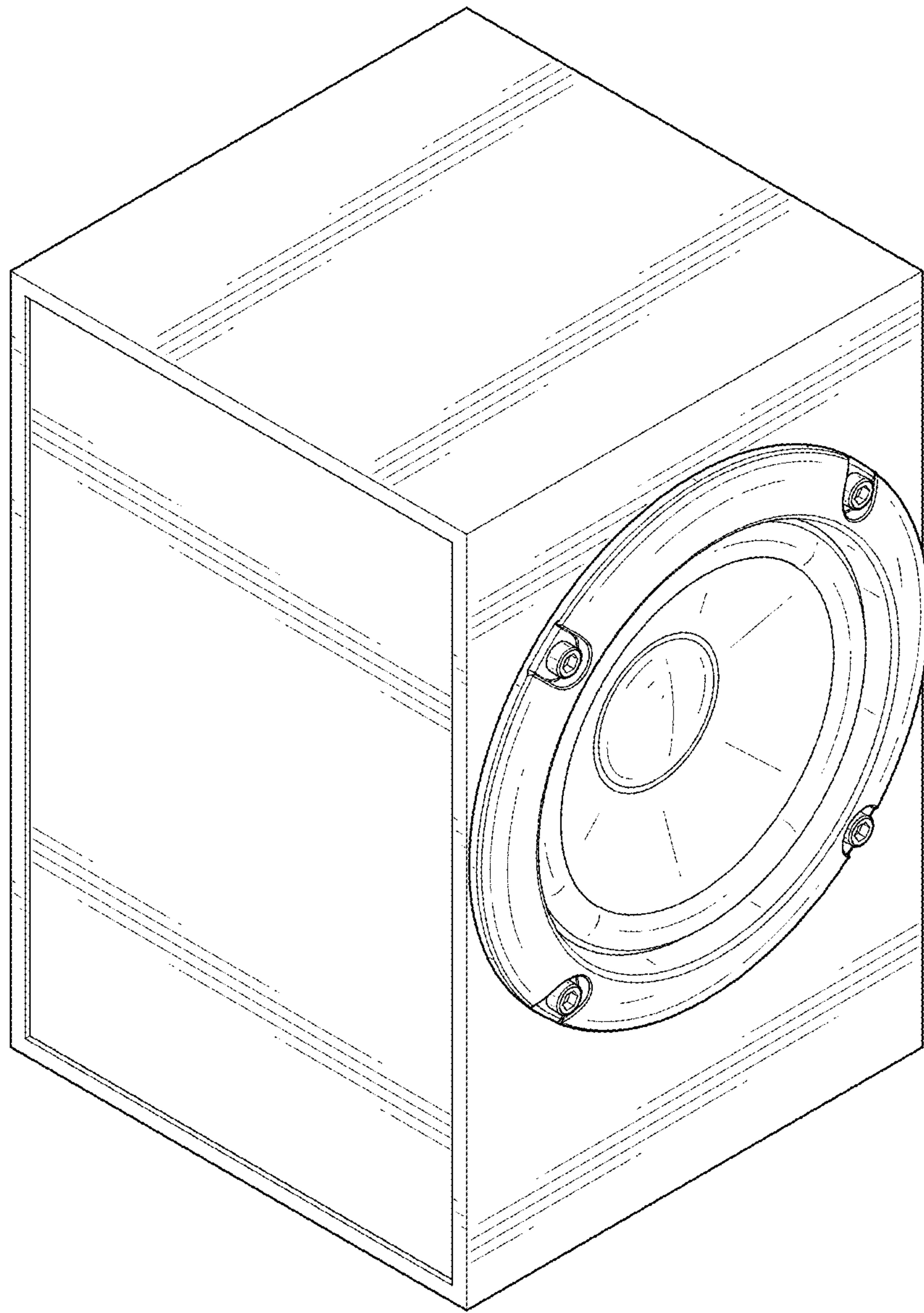


FIG. 1

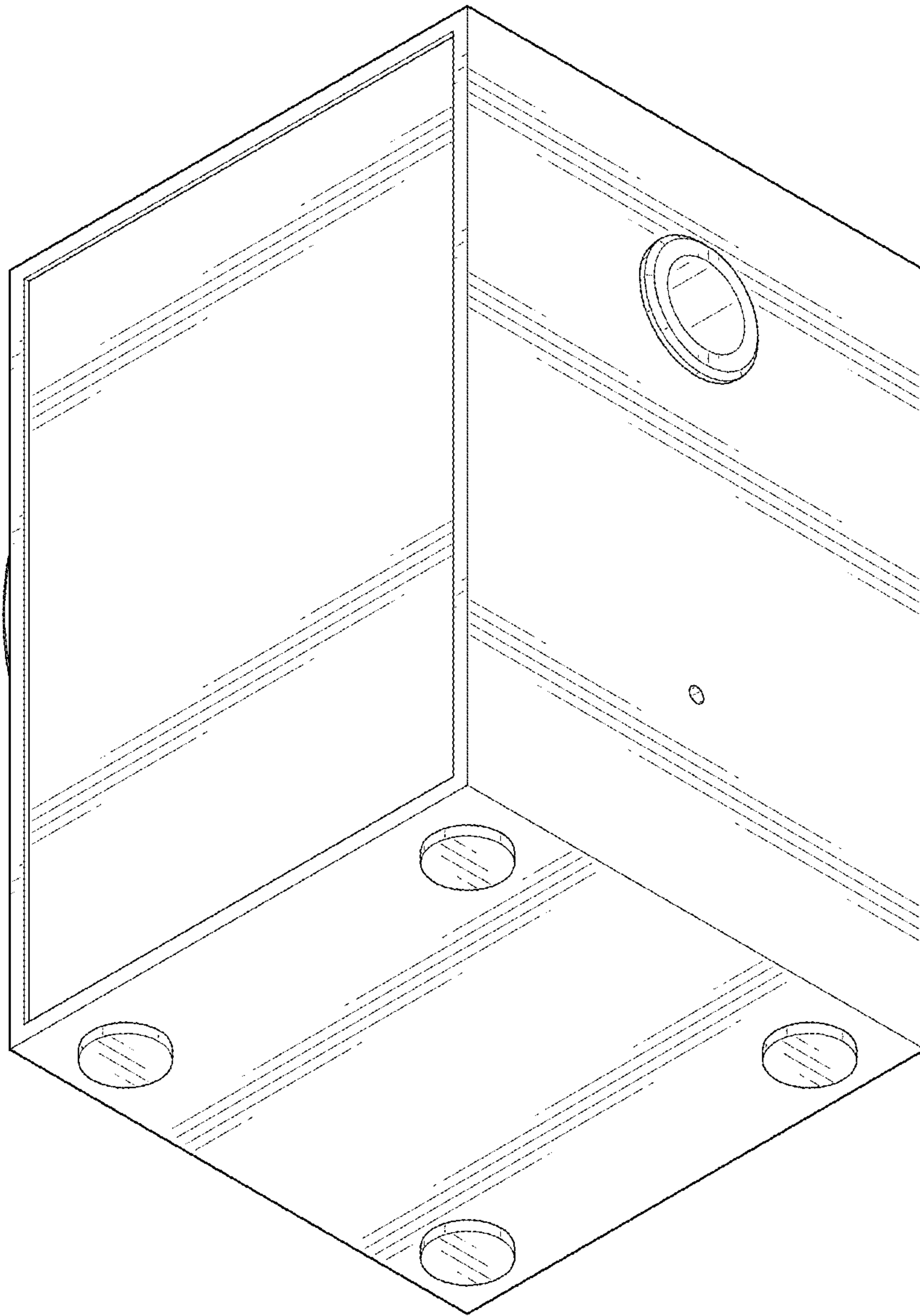


FIG.2

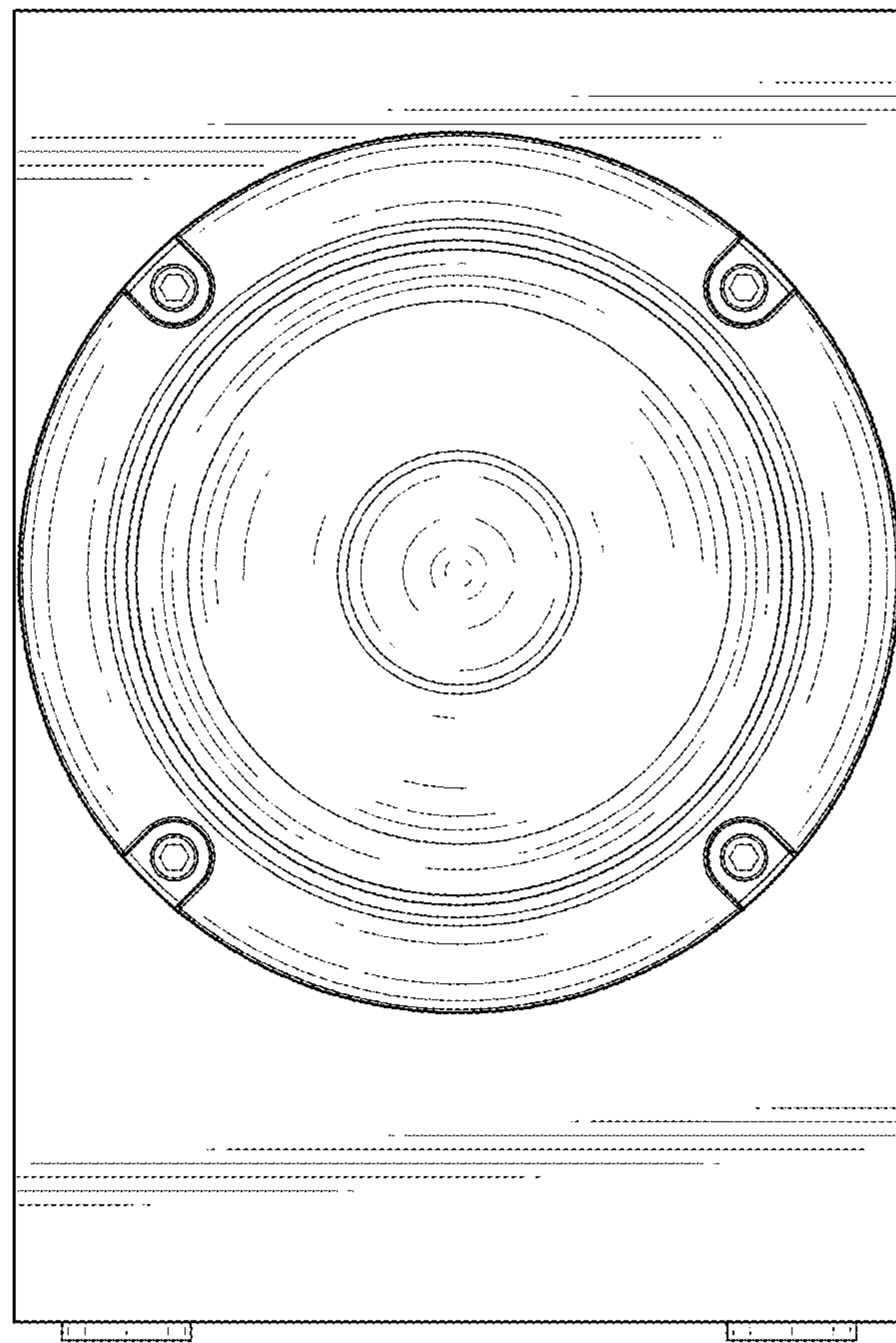


FIG.3

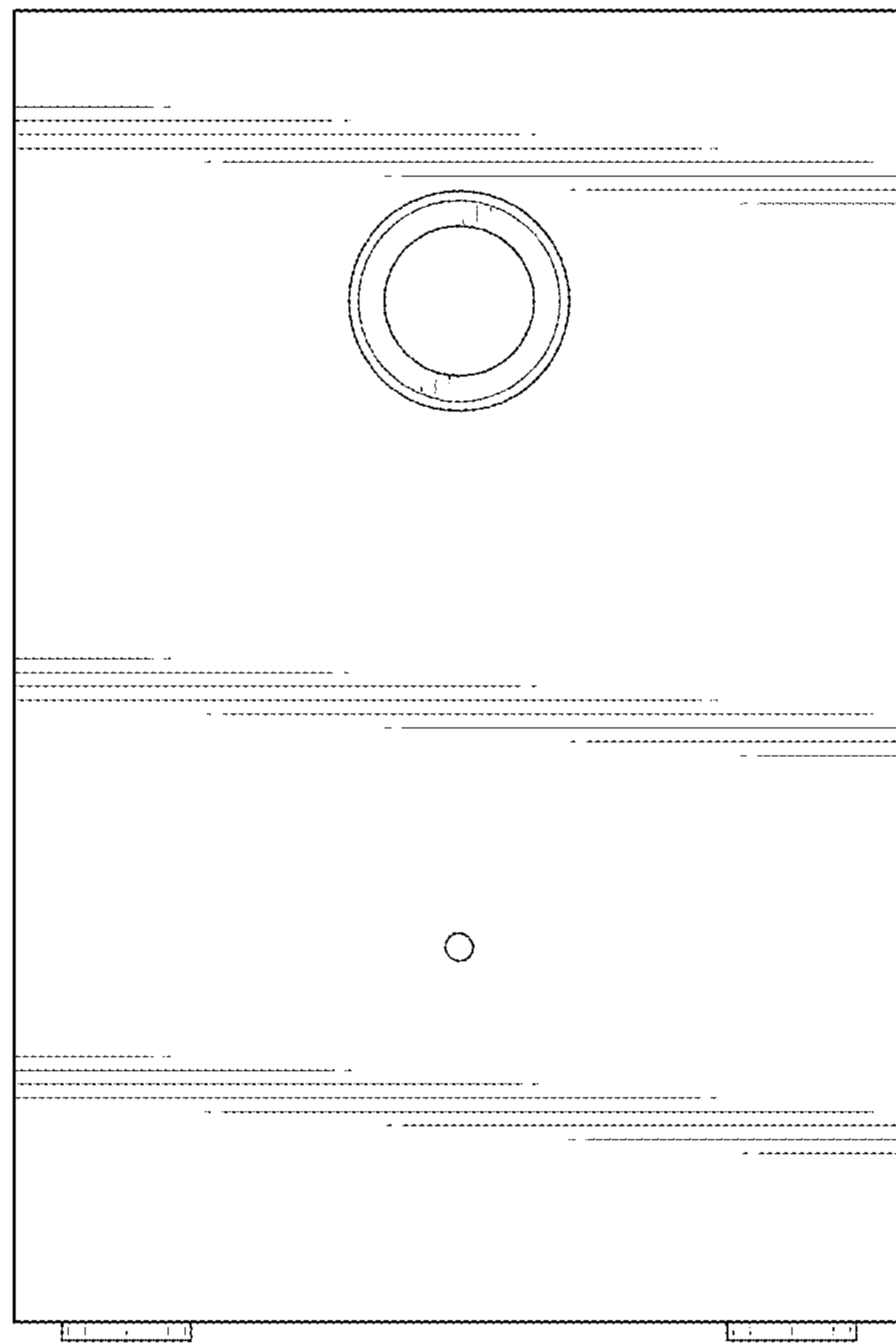


FIG. 4

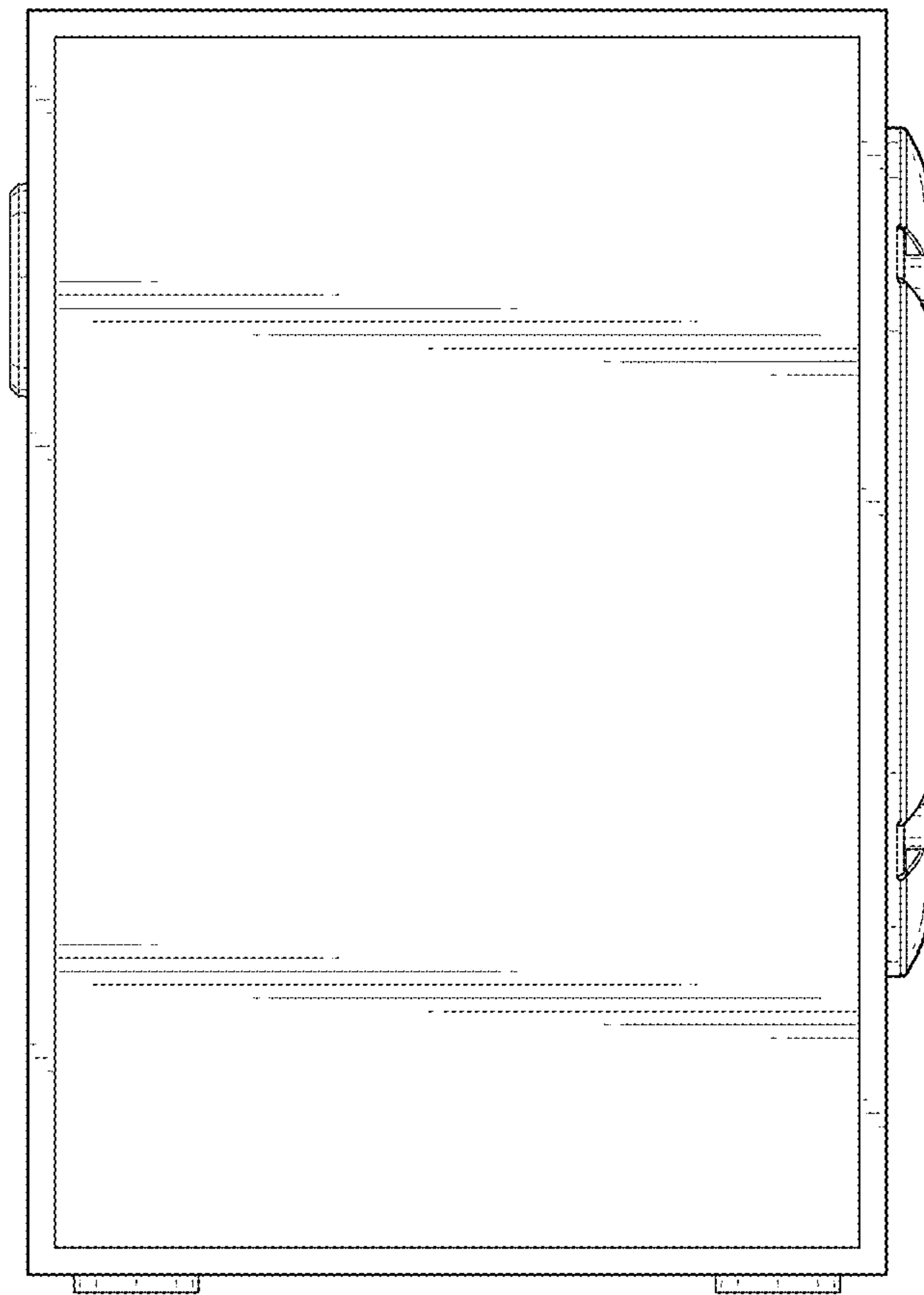


FIG.5

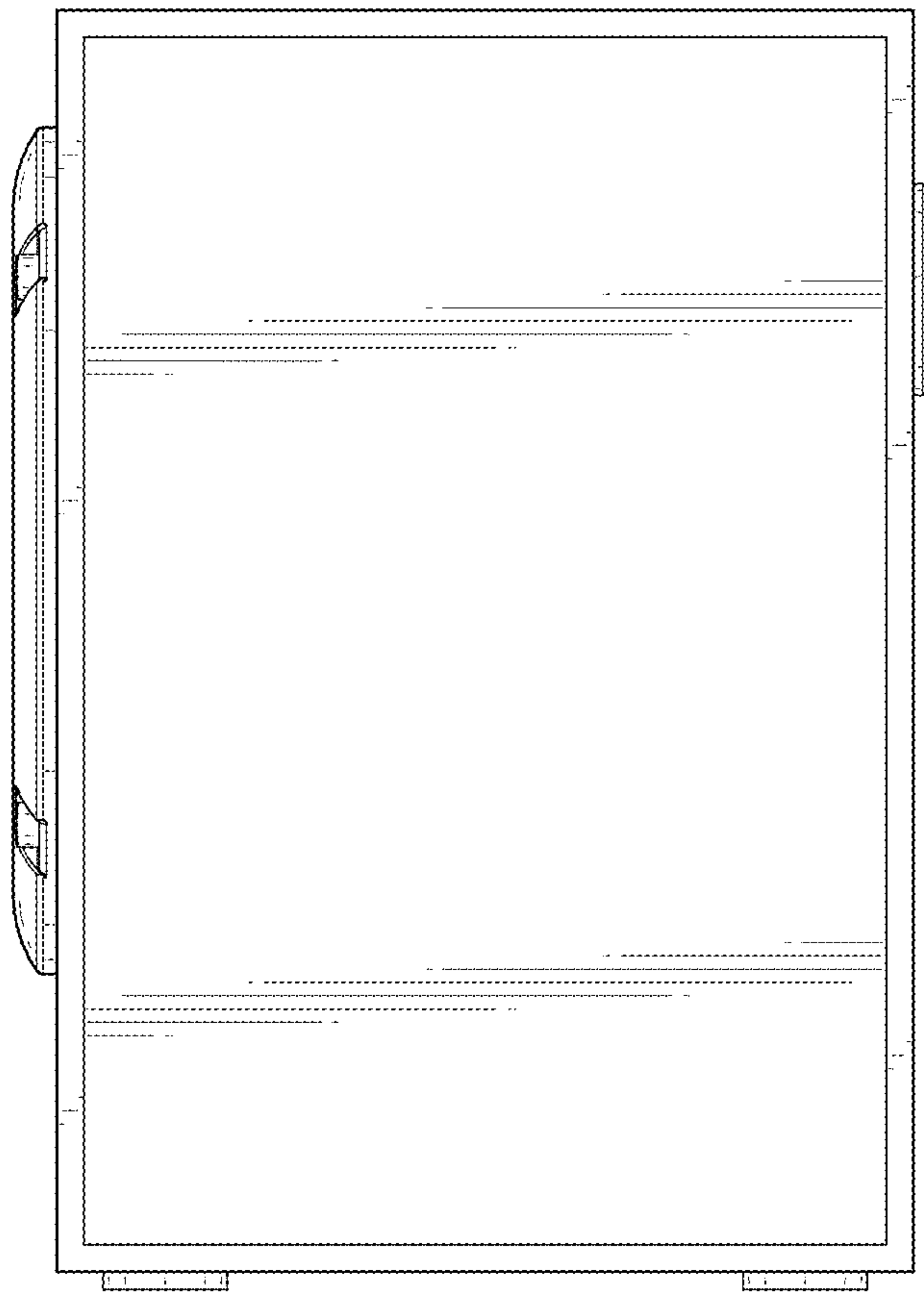


FIG.6

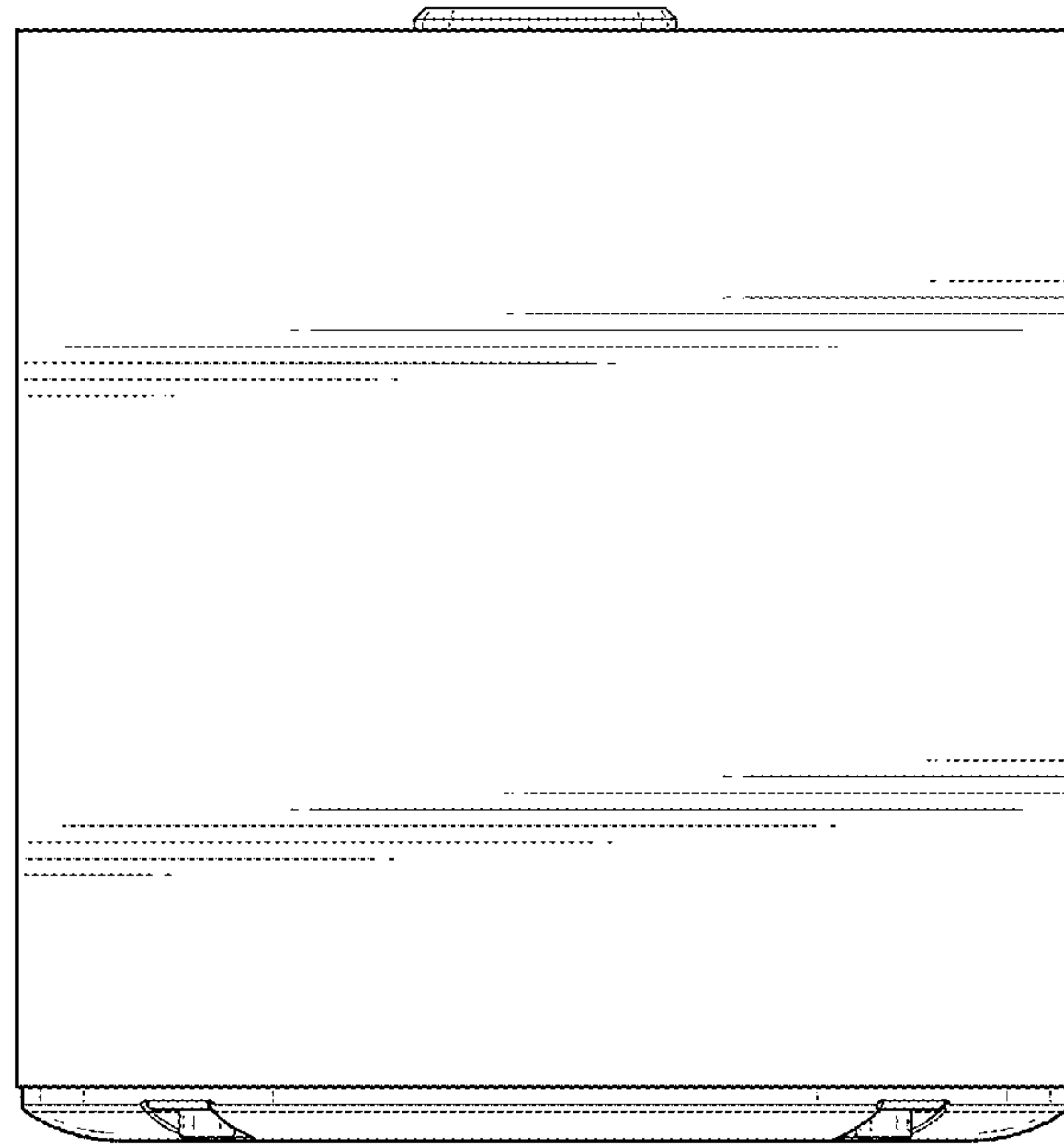


FIG.7

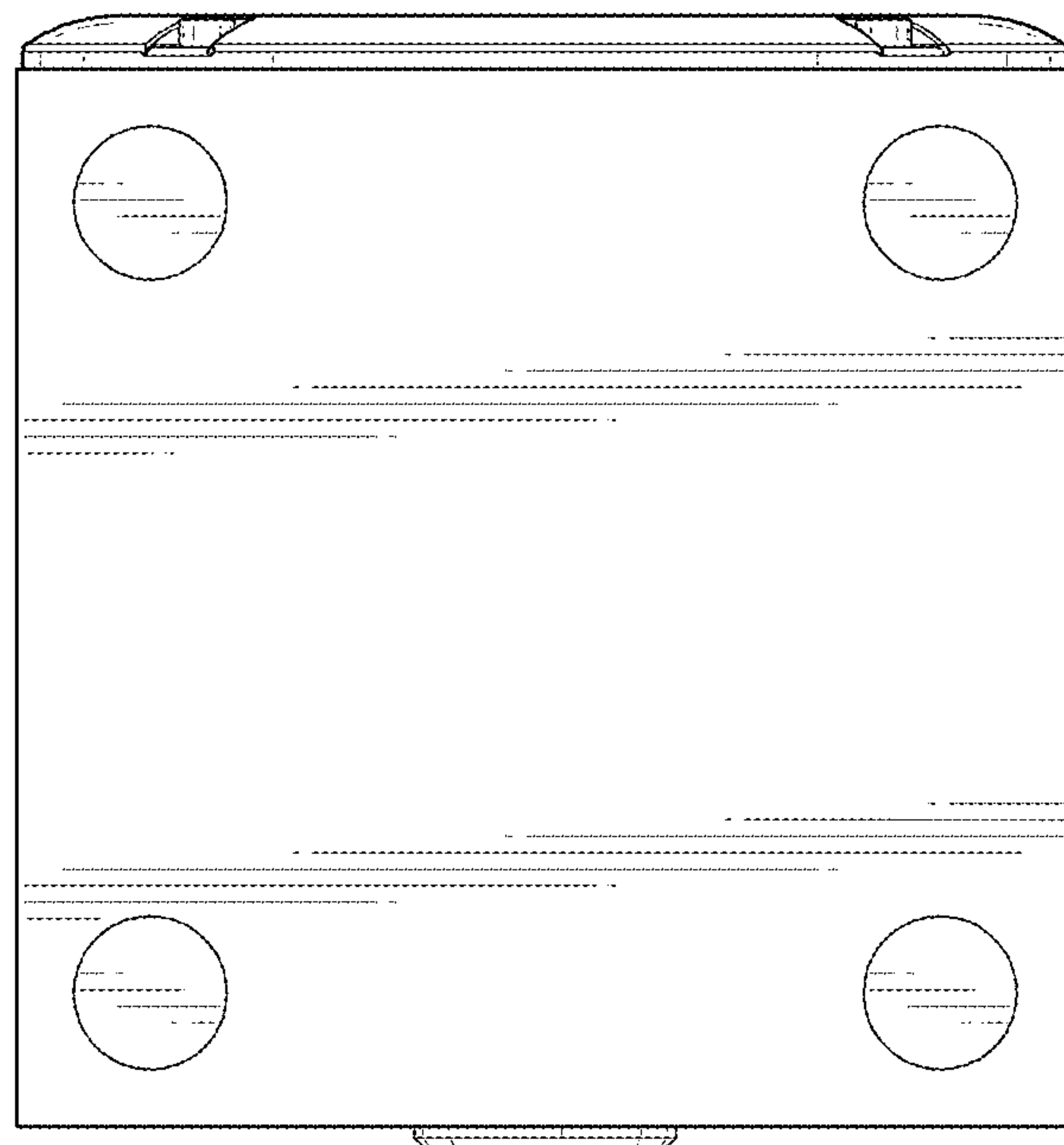


FIG.8