



US00D945394S

(12) **United States Design Patent**
Zhu

(10) **Patent No.:** **US D945,394 S**
(45) **Date of Patent:** **** Mar. 8, 2022**

- (54) **HEADPHONE**
- (71) Applicant: **SHENZHEN QIANHAI PATUOXUN NETWORK AND TECHNOLOGY CO., LTD**, Shenzhen (CN)
- (72) Inventor: **Qi Zhu**, Shenzhen (CN)
- (73) Assignee: **SHENZHEN QIANHAI PATUOXUN NETWORK AND TECHNOLOGY CO., LTD**, Shenzhen (CN)
- (**) Term: **15 Years**
- (21) Appl. No.: **29/762,739**
- (22) Filed: **Dec. 18, 2020**
- (51) **LOC (13) Cl.** **14-01**
- (52) **U.S. Cl.**
USPC **D14/206**; D14/226
- (58) **Field of Classification Search**
USPC D14/206, 226, 205, 372; D29/112;
2/209; 362/105; 381/380, 381, 374;
455/90.3, 575.1, 569.1
CPC F21V 21/084; F21V 33/00; H04R 25/00;
H04R 25/02; H04R 1/1016; H04R
1/1066; H04R 5/033; H04R 5/0335;
H04R 19/04; H04R 11/04; H04R 1/1091;
H04R 1/1008; G09G 5/00
See application file for complete search history.

(56) **References Cited**

U.S. PATENT DOCUMENTS

- 5,018,599 A * 5/1991 Dohi H04R 1/1008
181/129
- 5,794,127 A * 8/1998 Lansang H04R 1/1041
340/12.5
- 6,649,806 B1 * 11/2003 Forsgren-Brusk A61L 15/36
604/360
- 6,654,966 B2 * 12/2003 Rolla H04R 1/1066
2/209

- 7,106,873 B1 * 9/2006 Harrison A61N 1/36038
381/330
- D600,674 S * 9/2009 Brennwald D14/205
- D604,266 S * 11/2009 Milde D14/205
- D638,397 S * 5/2011 McManigal D14/205
- D641,725 S * 7/2011 Chong D14/205
- D641,727 S * 7/2011 Krauss D14/206
- D649,528 S * 11/2011 Park D14/205
- D652,017 S * 1/2012 Groves D14/206
- D654,472 S * 2/2012 Fischer D14/206
- D662,490 S * 6/2012 McSweyn D14/205
- D672,745 S * 12/2012 Abed D14/205
- D691,111 S * 10/2013 Lee D14/206
- D699,216 S * 2/2014 Bonahoom D14/205
- D713,375 S * 9/2014 Dedinas D14/206
- D716,256 S * 10/2014 Ang D14/205
- D717,764 S * 11/2014 Lee D14/205
- D727,278 S * 4/2015 Solomon D14/205

(Continued)

FOREIGN PATENT DOCUMENTS

EM 008464721-0001 * 3/2021

Primary Examiner — Paula Allen Greene

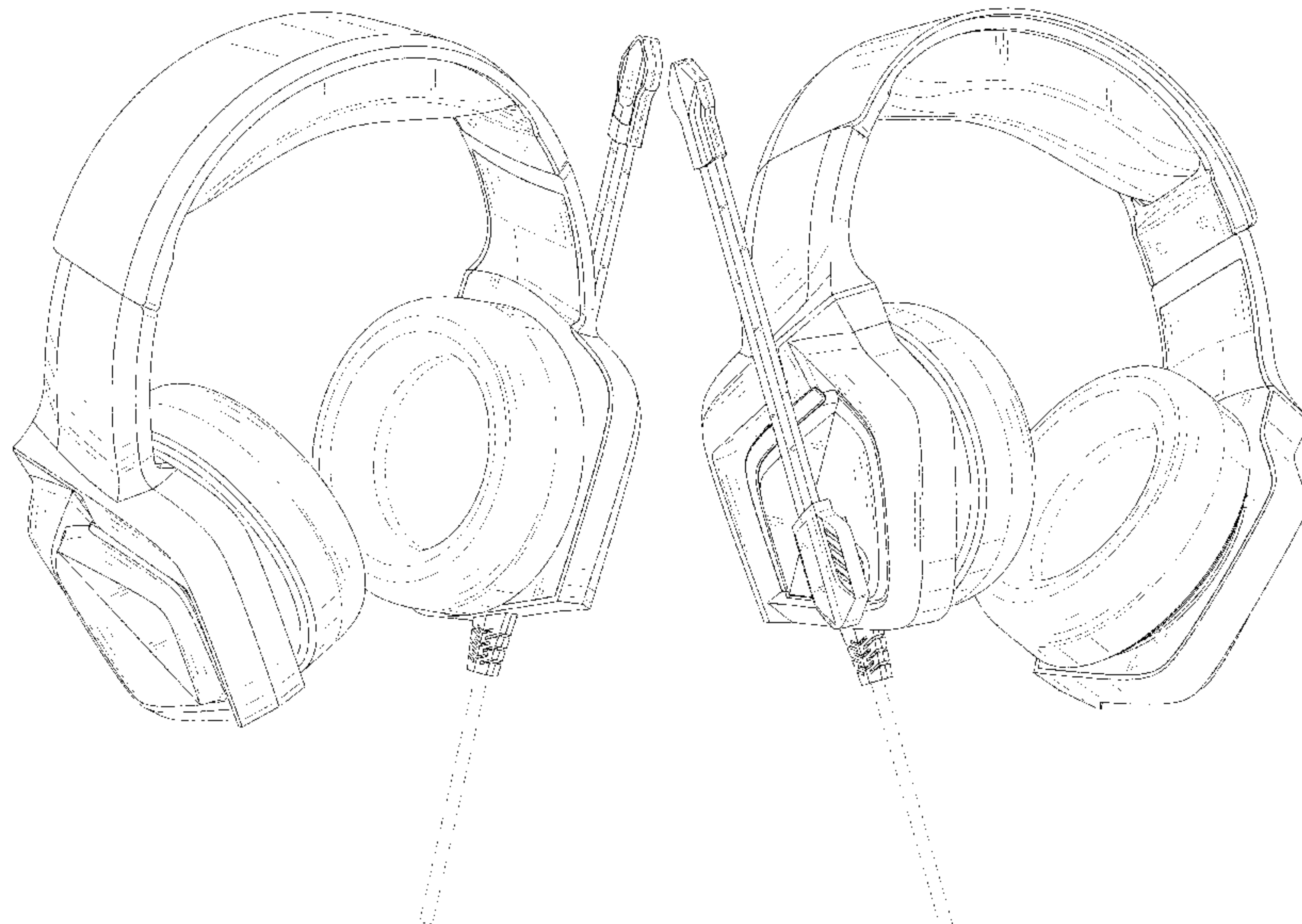
(57) **CLAIM**

The ornamental design for a headphone, as shown and described.

DESCRIPTION

FIG. 1 is a perspective view of a headphone showing my new design;
 FIG. 2 is another perspective view thereof;
 FIG. 3 is a front elevational view thereof;
 FIG. 4 is a rear elevational view thereof;
 FIG. 5 is a left side elevational view thereof;
 FIG. 6 is a right side elevational view thereof;
 FIG. 7 is a top plan view thereof; and,
 FIG. 8 is a bottom plan view thereof.
 The broken lines in the drawings depict portions of the headphone that form no part of the claimed design.

1 Claim, 8 Drawing Sheets



(56)

References Cited

U.S. PATENT DOCUMENTS

D733,677 S *	7/2015	Ling	D14/206	D857,657 S *	8/2019	Skinner	D14/206
D734,736 S *	7/2015	Jin	D14/206	D864,156 S *	10/2019	Liu	D14/206
D739,843 S *	9/2015	Daniel	D14/205	D866,515 S *	11/2019	Long	D14/206
D741,286 S *	10/2015	Brennwald	D14/205	D868,030 S *	11/2019	Chong	D14/206
D745,859 S *	12/2015	Kiuchi	D14/205	D868,734 S *	12/2019	Wang	D14/206
D746,793 S *	1/2016	Logan	D14/206	D870,696 S *	12/2019	Deng	D14/206
D752,018 S *	3/2016	Gondo	D14/205	D870,698 S *	12/2019	Long	D14/206
D766,207 S *	9/2016	Paterson	D14/205	D877,116 S *	3/2020	Liu	D14/206
D766,208 S *	9/2016	Paterson	D14/205	D880,450 S *	4/2020	Liu	D14/206
D778,258 S *	2/2017	Hsu	D14/205	D881,157 S *	4/2020	Chen	D14/205
D815,614 S *	4/2018	Tzeng	D14/205	D907,004 S *	1/2021	Zhou	D14/206
D820,813 S *	6/2018	Sharp	D14/206	D908,110 S *	1/2021	Zhou	D14/206
D824,362 S *	7/2018	Probst	D14/206	D909,337 S *	2/2021	Liu	D14/206
D841,620 S *	2/2019	Liu	D14/206	D910,595 S *	2/2021	Shen	D14/206
D851,063 S *	6/2019	Deng	D14/206	D915,348 S *	4/2021	He	D14/206
D853,988 S *	7/2019	Wang	D14/206	D916,681 S *	4/2021	He	D14/205
D856,967 S *	8/2019	Tang	D14/206	D927,456 S *	8/2021	Paterson	D14/206
D856,969 S *	8/2019	Tang	D14/206	D931,831 S *	9/2021	Liu	D14/206
D856,970 S *	8/2019	Tang	D14/206	D935,442 S *	11/2021	Liu	D14/206
D856,971 S *	8/2019	Tang	D14/206	D937,808 S *	12/2021	Liu	D14/206
D857,656 S *	8/2019	Ipsen	D14/206	2019/0069065 A1 *	2/2019	Brace	H04R 1/1058
					2019/0189106 A1 *	6/2019	Hull	H04R 1/1008
					2020/0288234 A1 *	9/2020	Fletcher	H04R 1/1008

* cited by examiner

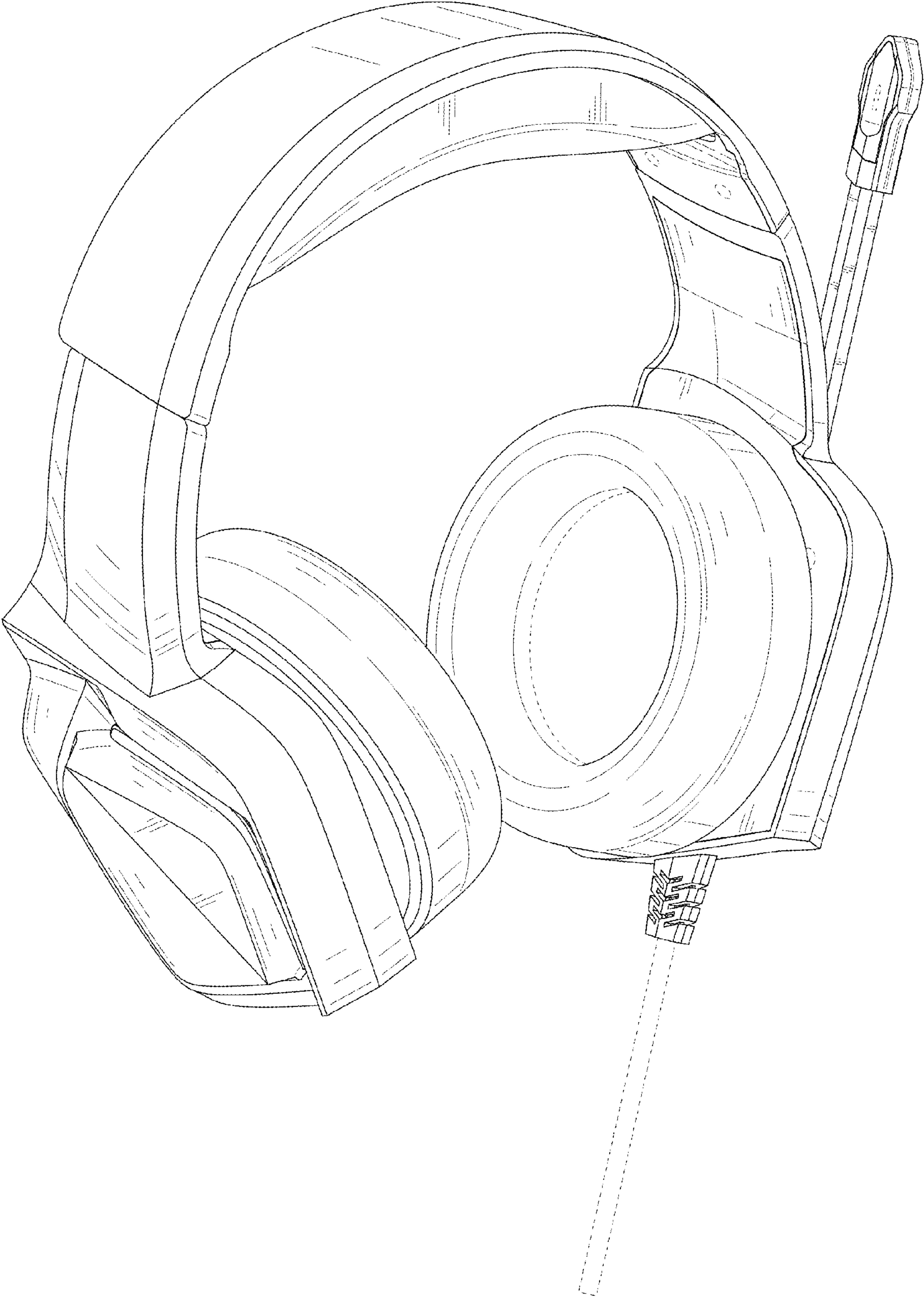


FIG. 1

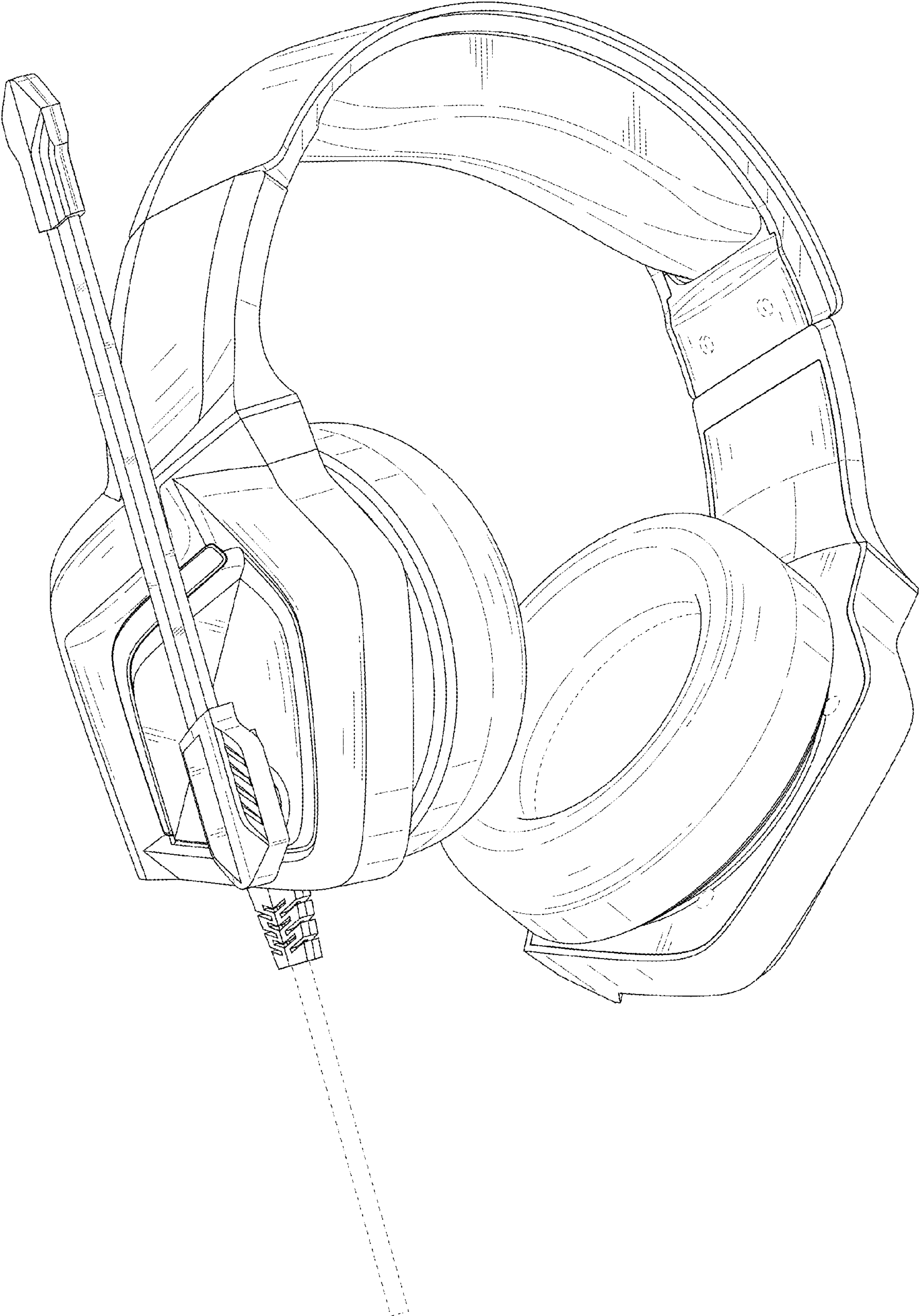


FIG. 2

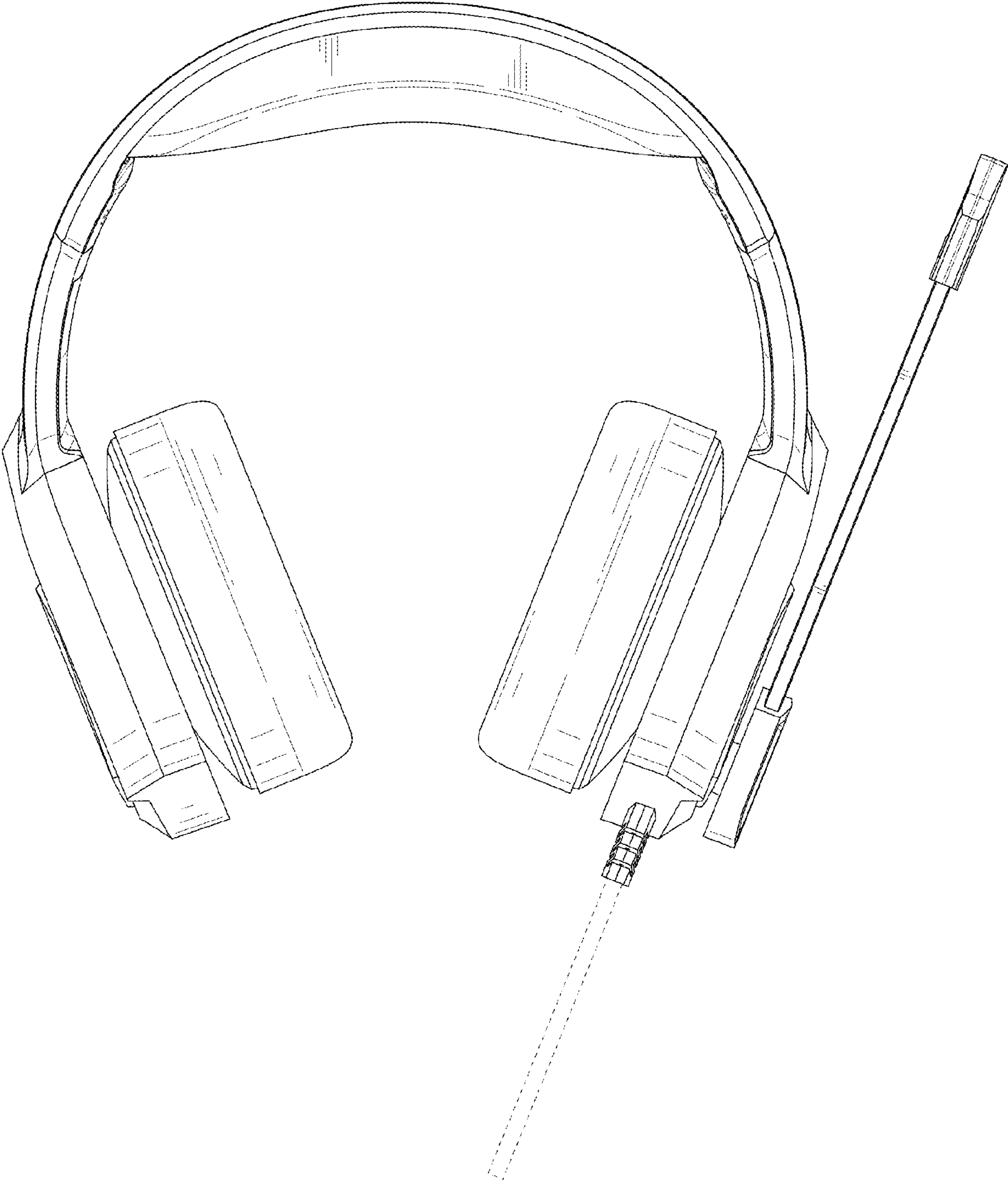


FIG. 3

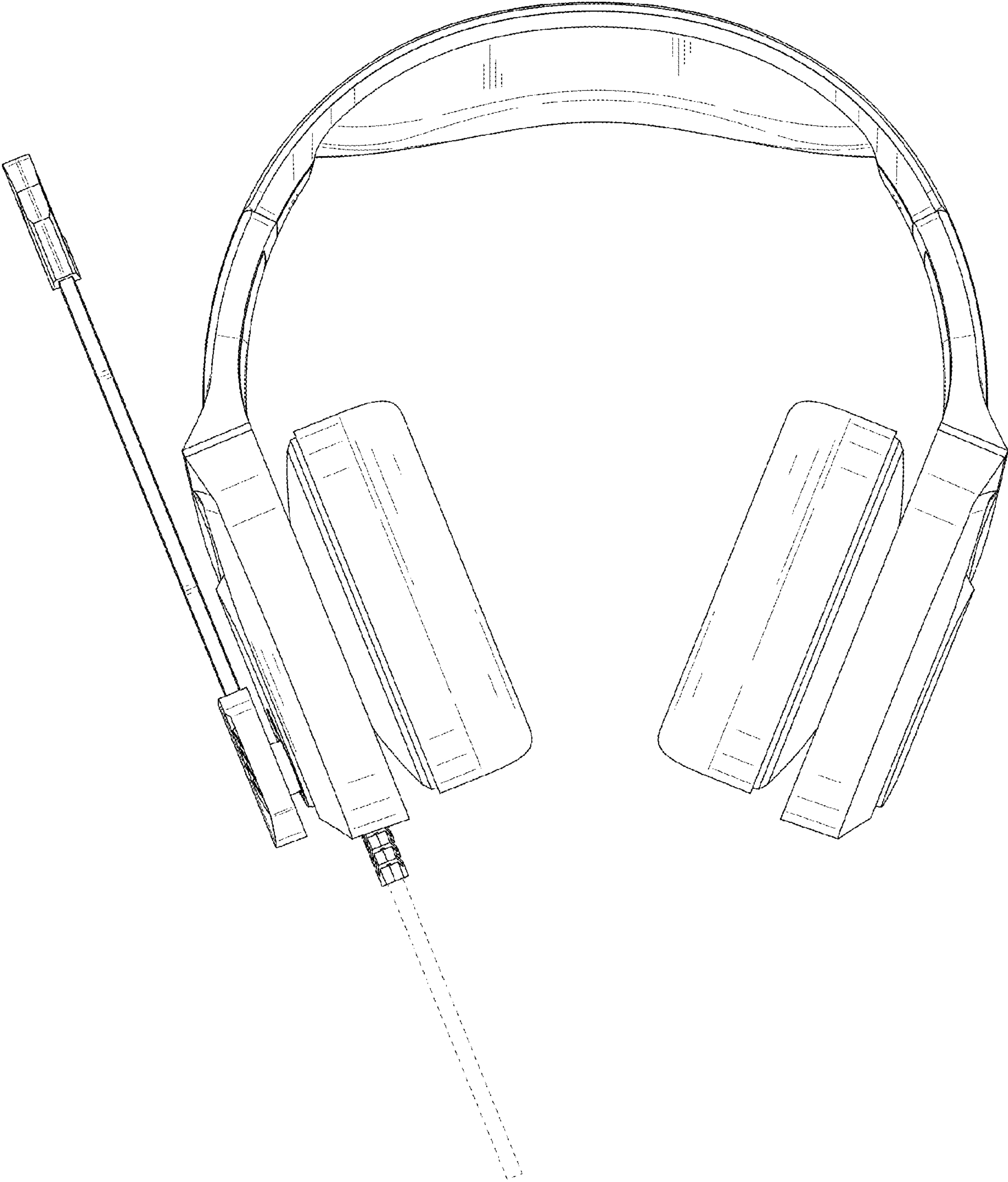


FIG. 4

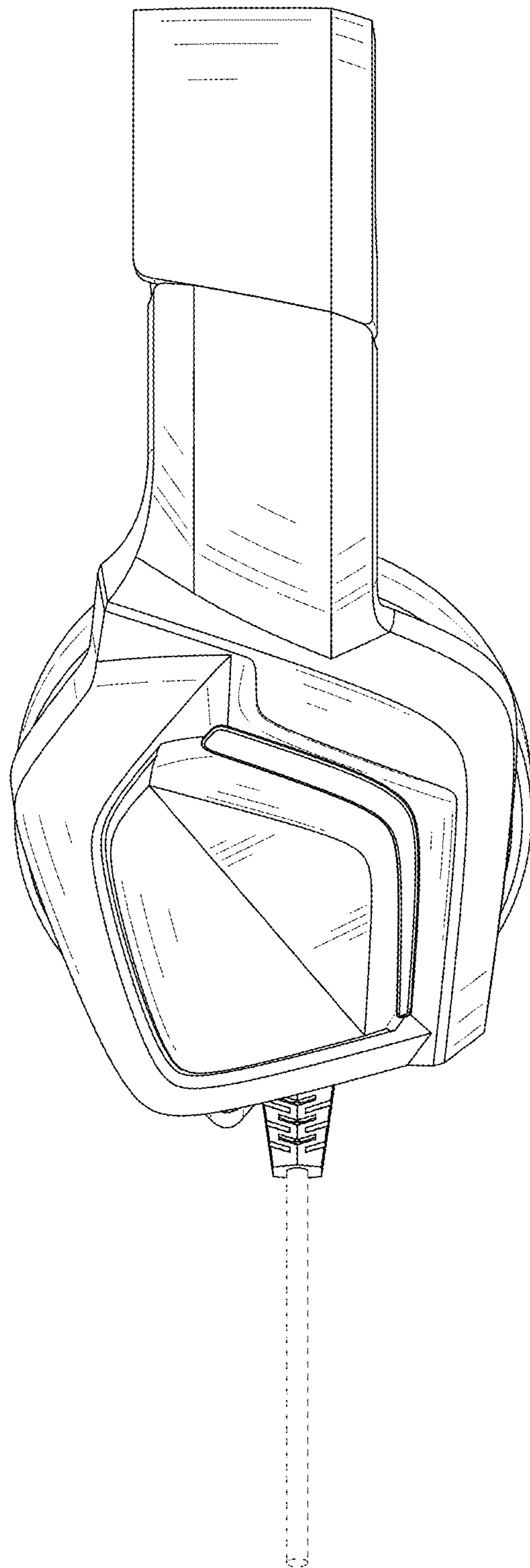


FIG. 5

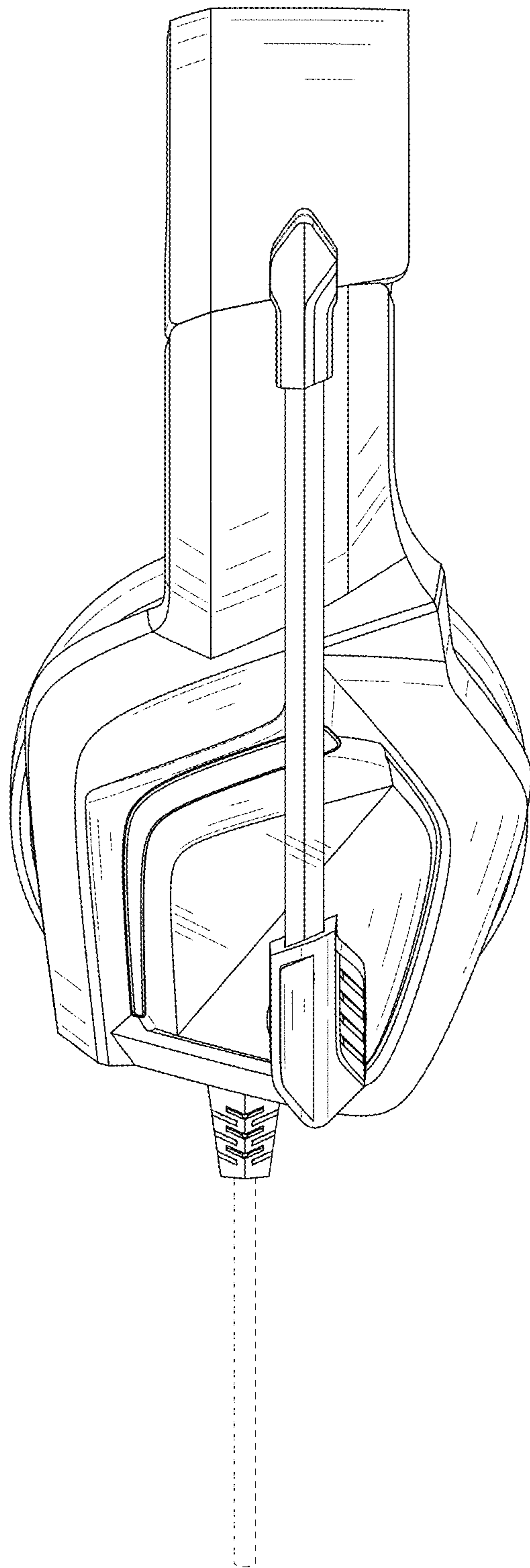


FIG. 6

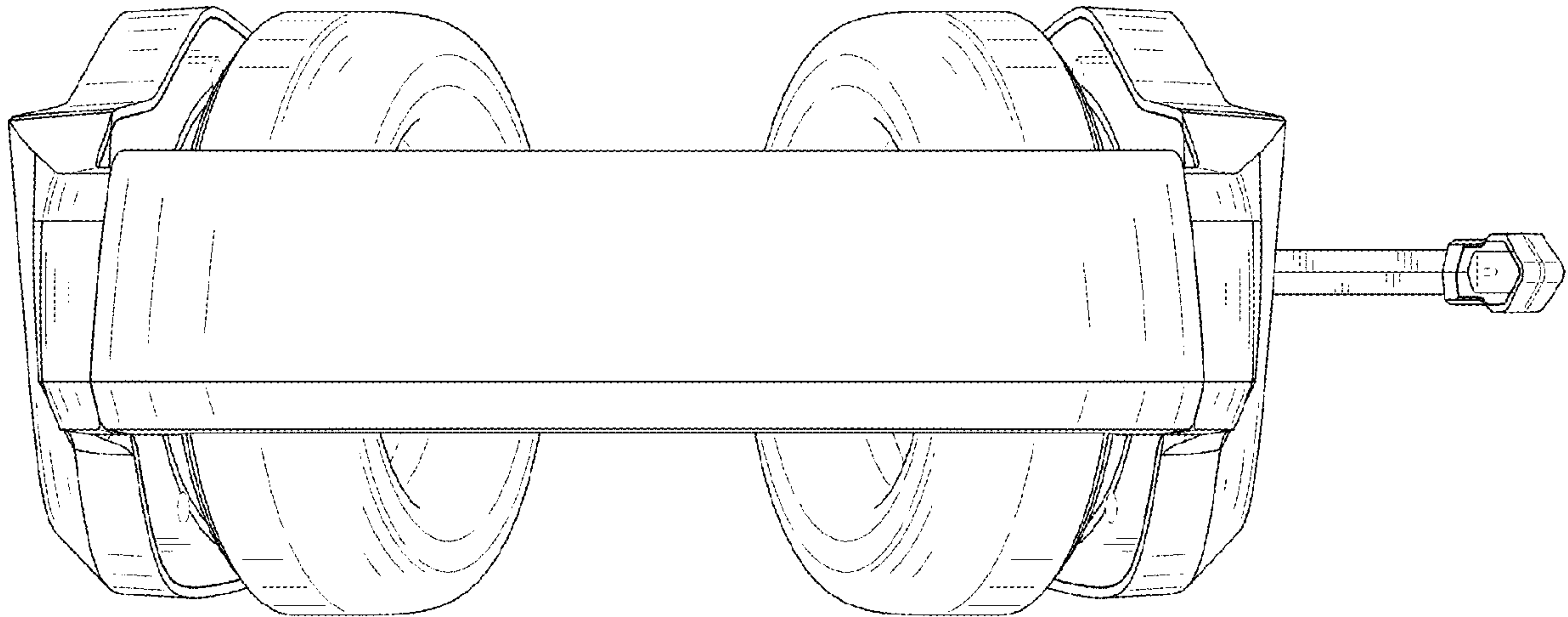


FIG. 7

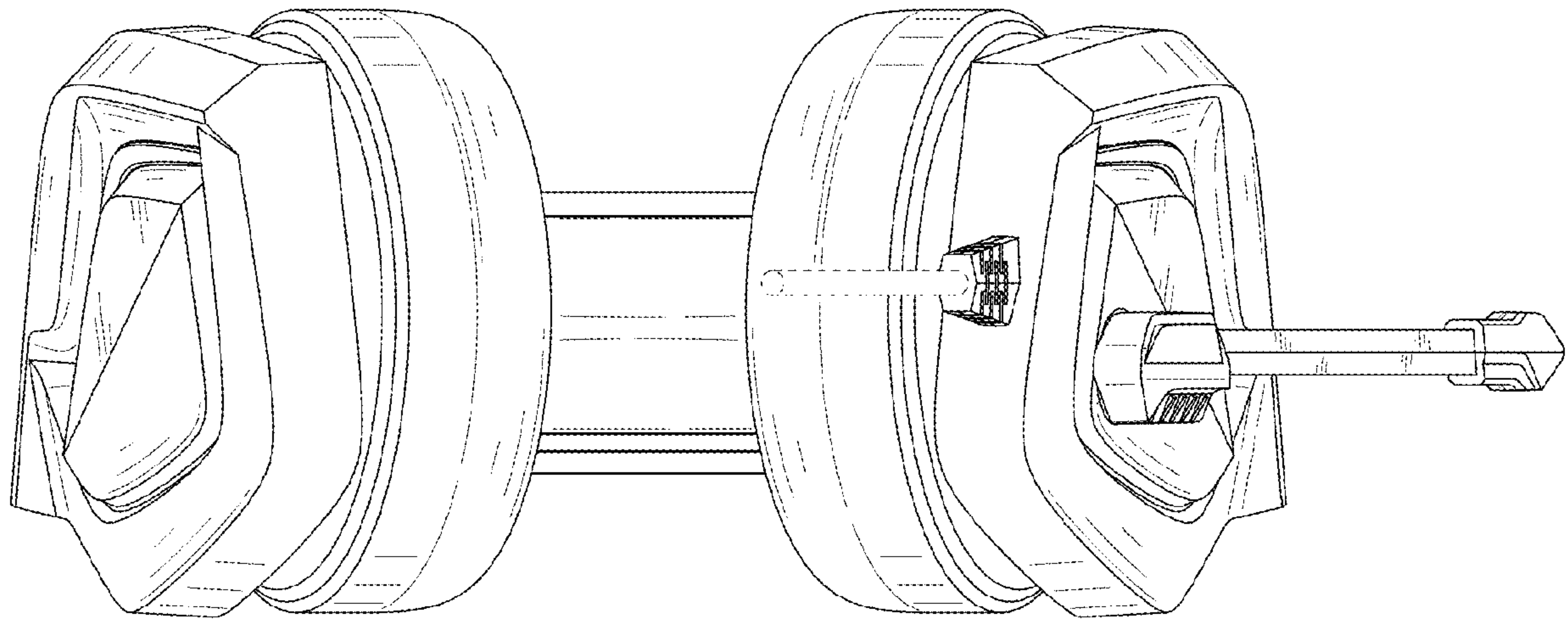


FIG. 8