



US00D945393S

(12) **United States Design Patent** (10) **Patent No.:** **US D945,393 S**  
**Mead et al.** (45) **Date of Patent:** **\*\* Mar. 8, 2022**

(54) **MODULAR RADIO ENCLOSURE**  
(71) Applicant: **ConcealFab Corporation**, Colorado Springs, CO (US)  
(72) Inventors: **Jeffrey Mead**, Colorado Springs, CO (US); **Jonathan Morris**, Colorado Springs, CO (US)  
(73) Assignee: **ConcealFab Corporation**, Colorado Springs, CO (US)

D234,920 S \* 4/1975 Koster et al. .... D14/155  
D237,503 S \* 11/1975 Langmack, Jr. et al. ....  
D14/140.5  
D265,986 S \* 8/1982 Wearsch ..... D13/152  
D269,088 S \* 5/1983 Genaro ..... D14/147  
4,959,018 A \* 9/1990 Yamamoto ..... H01R 9/2458  
D13/152  
D318,467 S \* 7/1991 Smith ..... D14/242  
(Continued)

(\*\*) Term: **15 Years**

BR 3020190034611 7/2019  
WO 2019043046 A1 8/2018

(21) Appl. No.: **29/759,088**

**OTHER PUBLICATIONS**

(22) Filed: **Nov. 19, 2020**

Commscope, DC Surge Protection for 12 Remote RRH/Integrated Antenna, Talley Inc, Feb. 13, 2020 (accessed).

(51) **LOC (13) Cl.** ..... **14-03**

(52) **U.S. Cl.**

(Continued)

USPC ..... **D14/188**; D14/217; D14/230; D14/265

(58) **Field of Classification Search**

*Primary Examiner* — Wendy L Arminio  
(74) *Attorney, Agent, or Firm* — Mehrman Law Office;  
Michael J. Mehrman

USPC ..... D14/137, 140, 140.1–140.6, 142, 155,  
D14/168, 188, 192, 217, 230, 236, 238,  
D14/240, 242, 243, 251, 255, 265, 299,  
D14/356, 358, 432–434, 496; D13/101,  
D13/110–112, 118, 122, 123, 133, 152,  
D13/154, 156, 158, 160, 173, 177, 184,  
D13/199; D10/46, 75, 103, 104.1, 106.1,  
D10/106.3, 106.6, 109.1, 109.2, 111,  
D10/114.1, 14.2, 121  
CPC .. H01Q 1/02; H01Q 1/12; H01Q 1/42; H01Q  
1/245; H01Q 1/246; H01Q 1/1228; H01Q  
1/1242; H01Q 19/02; H01Q 19/021;  
H04B 1/38; H04B 1/3838; H04B 1/3888;  
H04M 1/03; H04M 1/04; H04M 1/15;  
H04W 88/005

(57) **CLAIM**

The ornamental design for a modular radio enclosure, as shown and described.

See application file for complete search history.

**DESCRIPTION**

FIG. 1 is a perspective view of a modular radio enclosure, showing the new design;  
FIG. 2 is a front elevational view thereof;  
FIG. 3 is a rear elevational view thereof;  
FIG. 4 is a left side elevational view thereof;  
FIG. 5 is a right side elevational view thereof;  
FIG. 6 is a top view of thereof; and,  
FIG. 7 is a bottom view thereof.

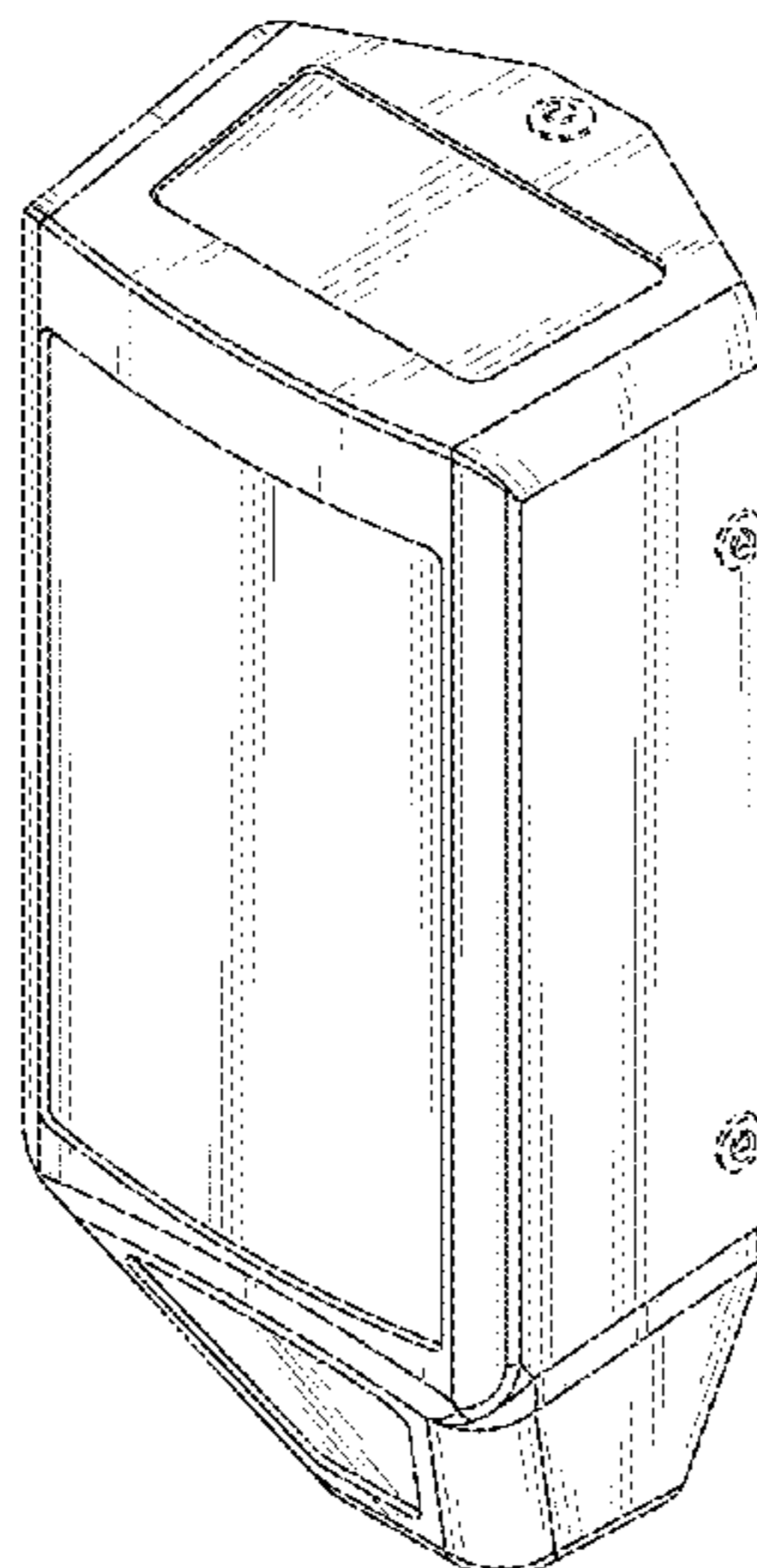
The broken lines in the drawings depict portions of the modular radio enclosure that form no part of the claimed design.

(56) **References Cited**

**U.S. PATENT DOCUMENTS**

D153,418 S \* 4/1949 Conner ..... D10/111  
3,683,314 A \* 8/1972 Elkins ..... H01R 13/639  
D13/152

**1 Claim, 7 Drawing Sheets**



(56)

References Cited

U.S. PATENT DOCUMENTS

D342,250 S \* 12/1993 Beaumont ..... D13/184  
 D347,004 S \* 5/1994 Beaumont ..... D14/188  
 D353,361 S \* 12/1994 Nagele ..... D14/140  
 D358,370 S \* 5/1995 Guppy ..... D13/184  
 D398,611 S 9/1998 Read  
 D402,663 S \* 12/1998 Fechner ..... D14/140.6  
 D429,720 S 8/2000 Strand  
 6,284,407 B1 \* 9/2001 Murray ..... H04M 1/0262  
 429/186  
 D531,961 S \* 11/2006 Greenfield ..... H02G 3/088  
 D13/156  
 D565,594 S \* 4/2008 Poandl ..... D14/265  
 D595,275 S \* 6/2009 Skottke ..... D14/230  
 D595,699 S \* 7/2009 Skottke ..... D14/230  
 7,782,268 B2 8/2010 Carroll et al.  
 8,228,255 B2 7/2012 Mao  
 D697,900 S 1/2014 Yang et al.  
 9,099,860 B2 8/2015 Martinez et al.  
 D741,285 S \* 10/2015 Boynton ..... D14/188  
 D751,610 S 3/2016 Serrurier et al.  
 D777,125 S \* 1/2017 Eder ..... D13/184  
 D781,267 S \* 3/2017 Hirabayashi ..... D14/217  
 D789,361 S \* 6/2017 Ali ..... D14/358  
 9,685,713 B2 6/2017 Palanisamy et al.

D791,767 S \* 7/2017 Ali ..... D14/358  
 D805,503 S 12/2017 Corp et al.  
 D815,625 S \* 4/2018 Wartmann ..... D14/240  
 D831,014 S \* 10/2018 Delibie ..... D14/242  
 10,103,421 B1 10/2018 Alexander et al.  
 10,135,130 B1 11/2018 Bouchard  
 D844,573 S 4/2019 Hoffknecht et al.  
 10,476,138 B2 11/2019 Faig  
 D870,720 S \* 12/2019 Cho ..... D14/299  
 D883,816 S \* 5/2020 Klein ..... D13/162  
 D888,004 S \* 6/2020 Tompson ..... D13/184  
 D888,018 S \* 6/2020 Tompson ..... D14/217  
 D888,696 S \* 6/2020 Carson ..... D14/230  
 D890,135 S \* 7/2020 Tompson ..... D14/217  
 D907,633 S \* 1/2021 Li ..... D14/358  
 D911,307 S \* 2/2021 Sugiyama ..... D14/214  
 2019/0080826 A1 3/2019 Kamensek et al.

OTHER PUBLICATIONS

Arlington, Paving the Way for Faster Mobile Speeds in Arlington,  
 Jun. 26, 2019, Virginia.  
 Raycap, Small Cell Concealments Product Guide 2020, Oct. 25,  
 2019 (accessed).  
 Raycap, 5G Radio Shroud, Oct. 25, 2019 (accessed).

\* cited by examiner

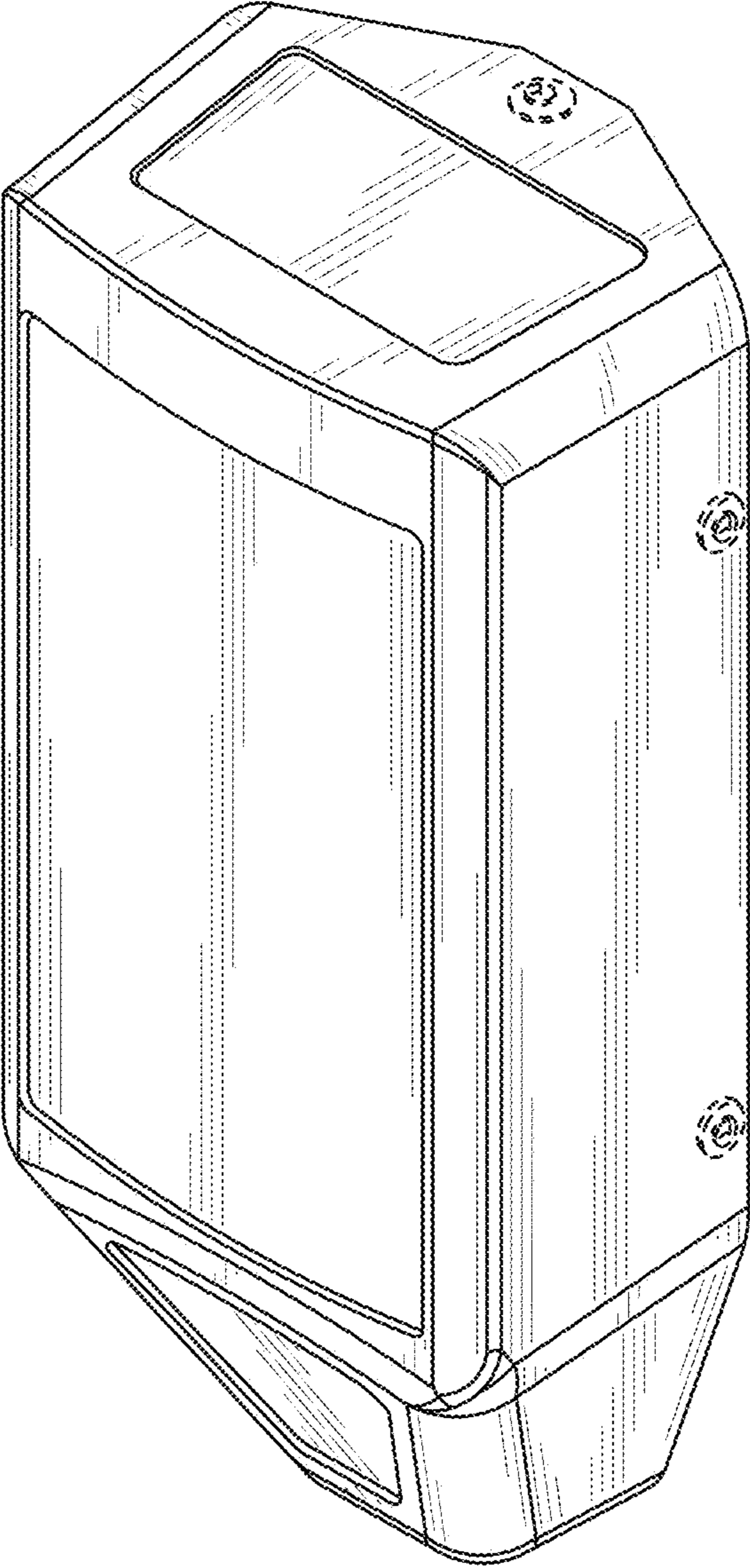


FIG. 1

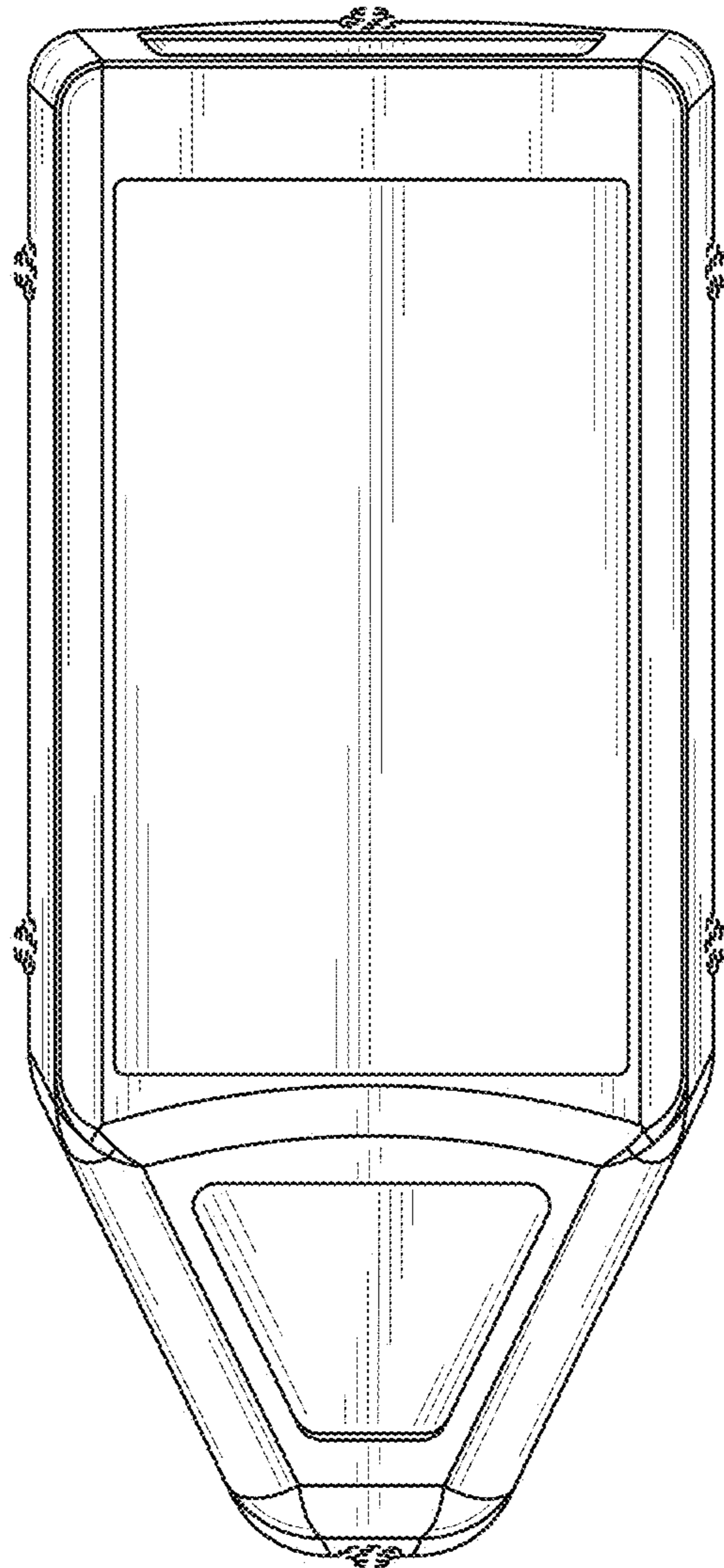


FIG. 2

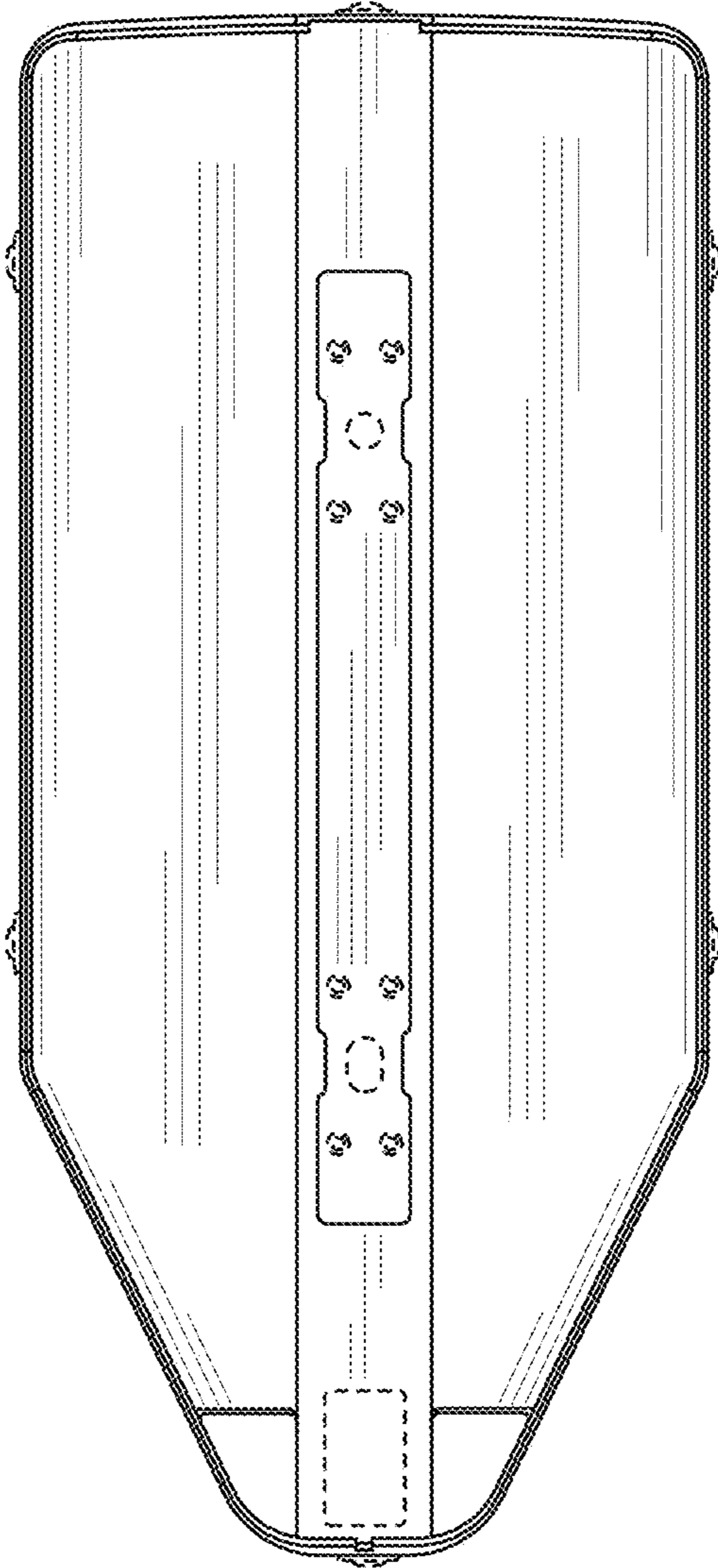


FIG. 3

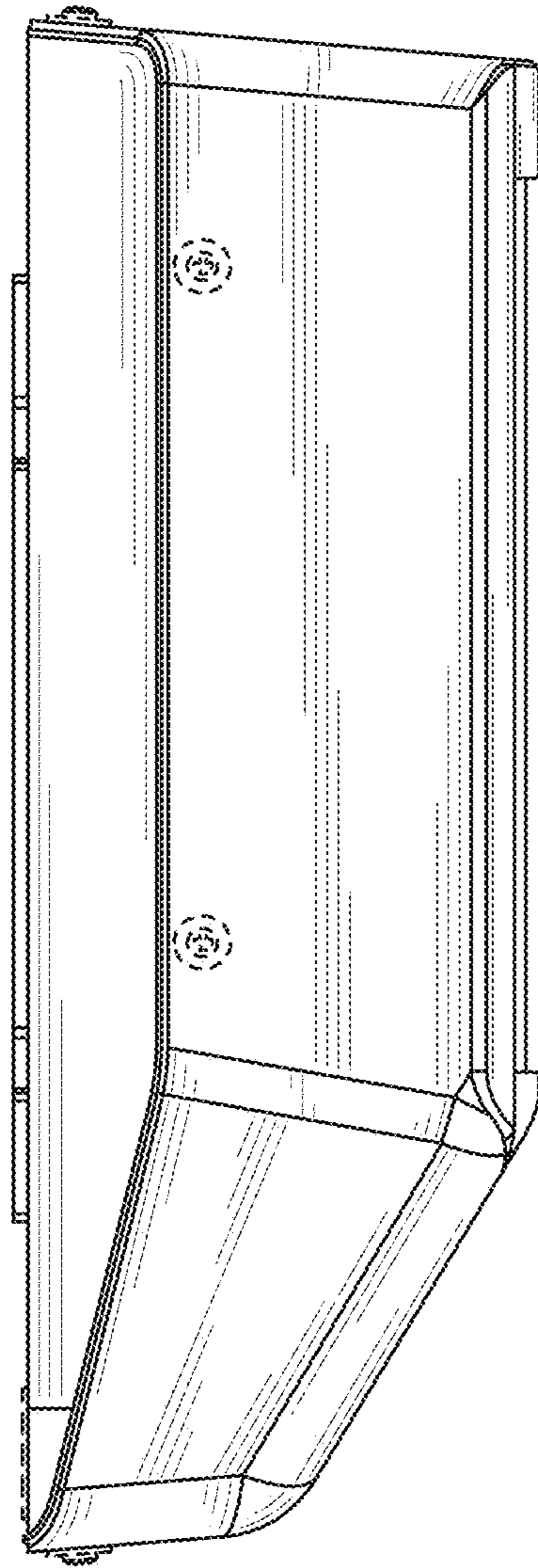


FIG. 4

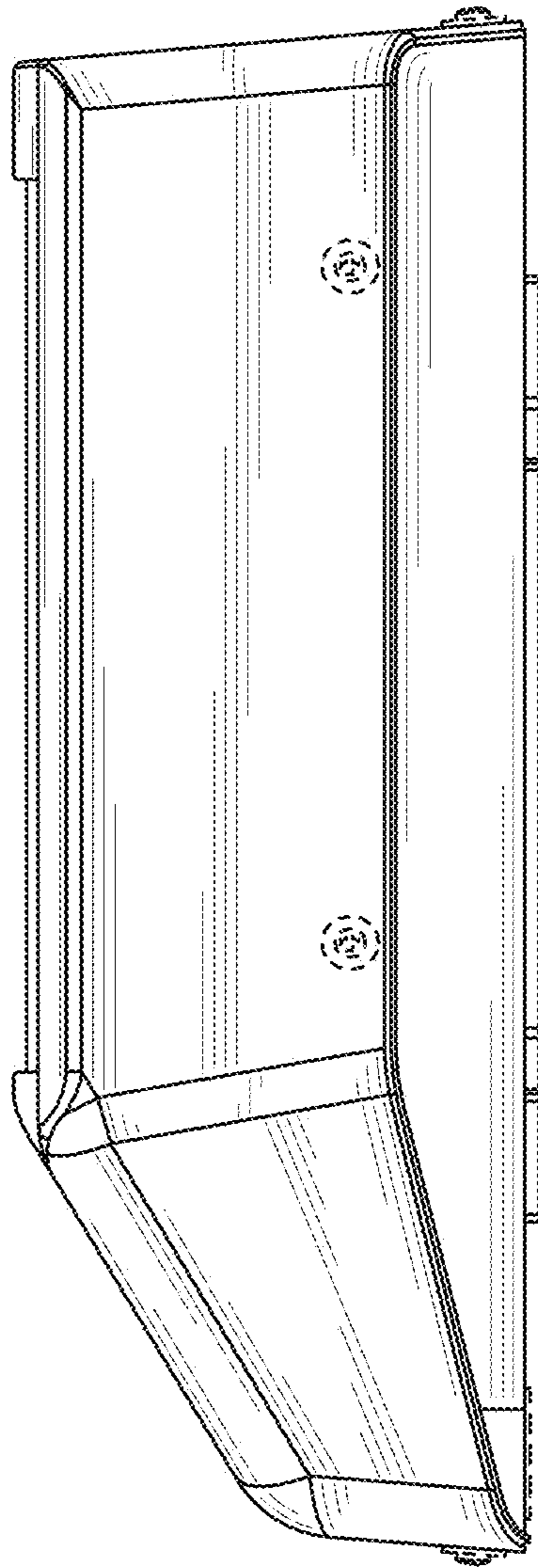


FIG. 5

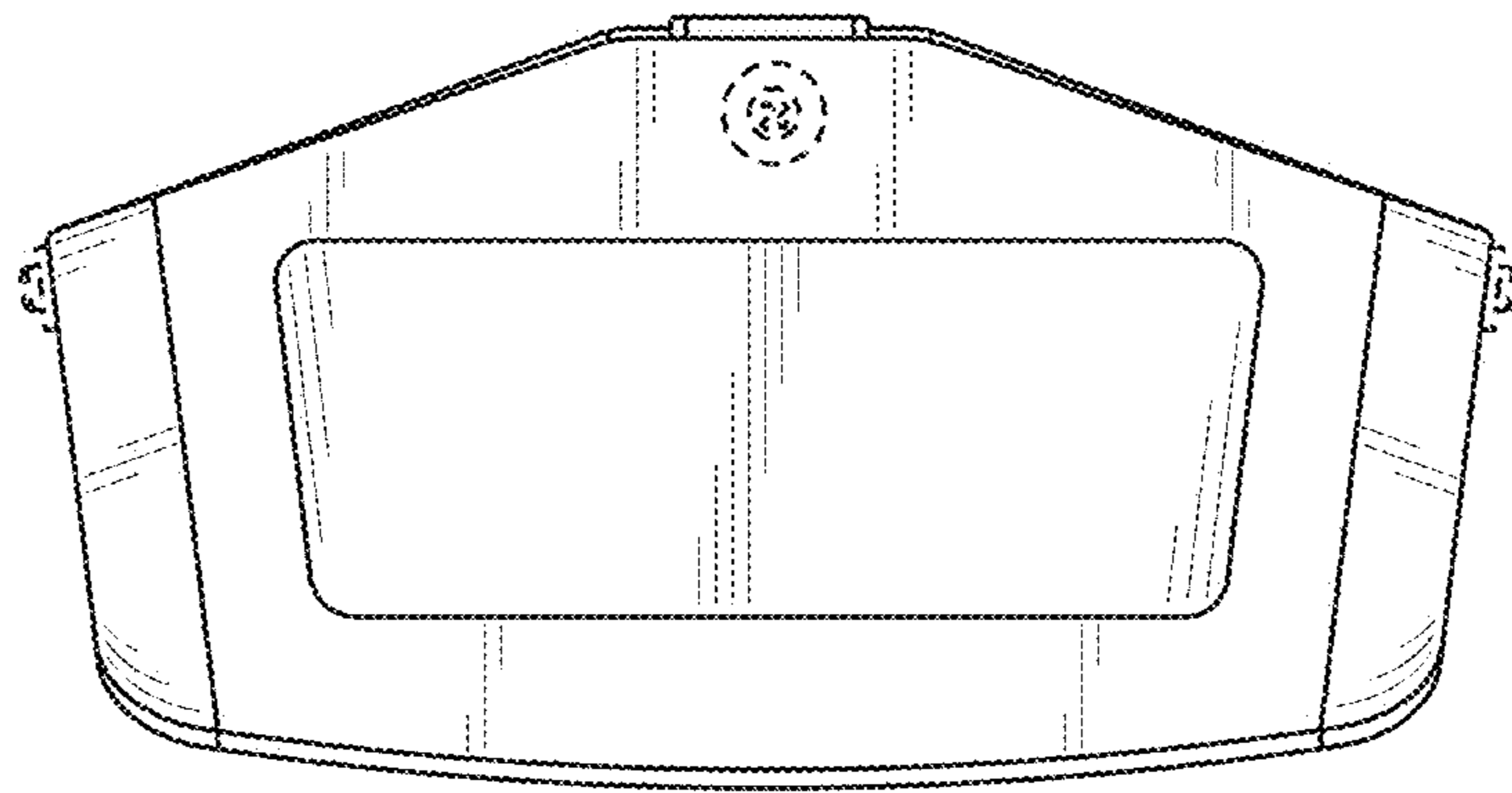


FIG. 6



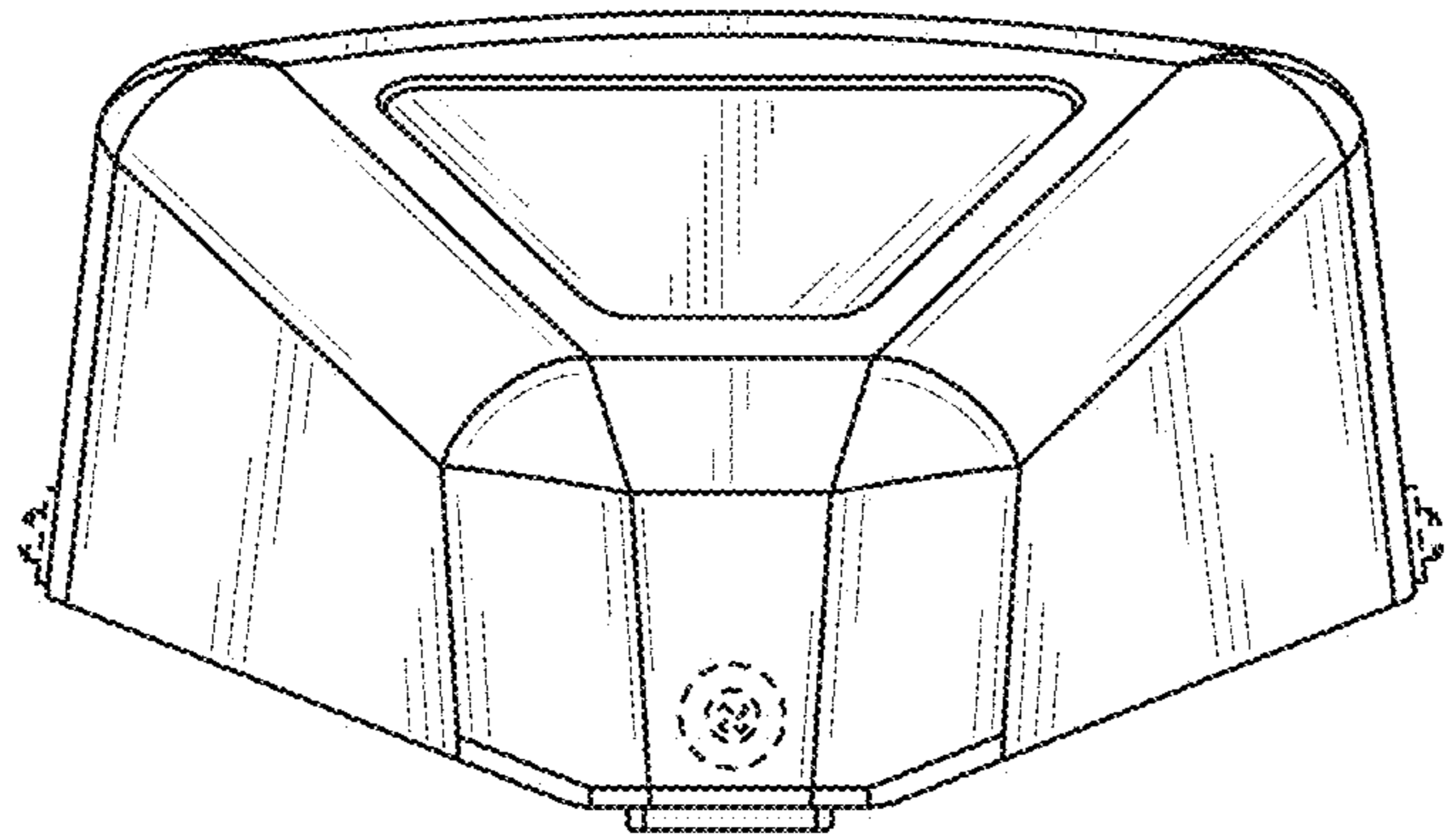


FIG. 7