

US00D945391S

(12) **United States Design Patent**
Wei

(10) **Patent No.:** **US D945,391 S**
(45) **Date of Patent:** **** Mar. 8, 2022**

(54) **FM TRANSMITTER**

(71) Applicant: **SHENZHEN QIANHAI PATUOXUN NETWORK AND TECHNOLOGY CO., LTD**, Shenzhen (CN)

(72) Inventor: **Ying Wei**, Shenzhen (CN)

(73) Assignee: **SHENZHEN QIANHAI PATUOXUN NETWORK AND TECHNOLOGY CO., LTD**, Shenzhen (CN)

(**) Term: **15 Years**

(21) Appl. No.: **29/750,354**

(22) Filed: **Sep. 14, 2020**

(51) **LOC (13) Cl.** **14-03**

(52) **U.S. Cl.**
USPC **D14/155**

(58) **Field of Classification Search**
USPC D14/167, 154, 168, 188, 496, 156, 160, D14/161, 162, 163, 164, 165, 158, 341, D14/346, 342, 345, 137, 155, 218, 225; D16/208; D26/38; 455/351, 350; D10/104.1, 106, 65
CPC H04B 1/385; H04M 1/6091; H04M 1/6066
See application file for complete search history.

(56) **References Cited**

U.S. PATENT DOCUMENTS

D691,954 S * 10/2013 Lee D13/144
D825,470 S * 8/2018 Wang D13/144

D871,363 S * 12/2019 Tang D14/155
D873,233 S * 1/2020 Du D14/155
D873,234 S * 1/2020 Du D14/155
D897,982 S * 10/2020 Du D14/155
D898,696 S * 10/2020 Du D14/155
D909,329 S * 2/2021 Zhou D14/155
D921,603 S * 6/2021 Zhou D14/155
D929,956 S * 9/2021 Ba D14/155
D929,957 S * 9/2021 Ba D14/155
D932,455 S * 10/2021 Zhou D14/155

* cited by examiner

Primary Examiner — Austin Murphy

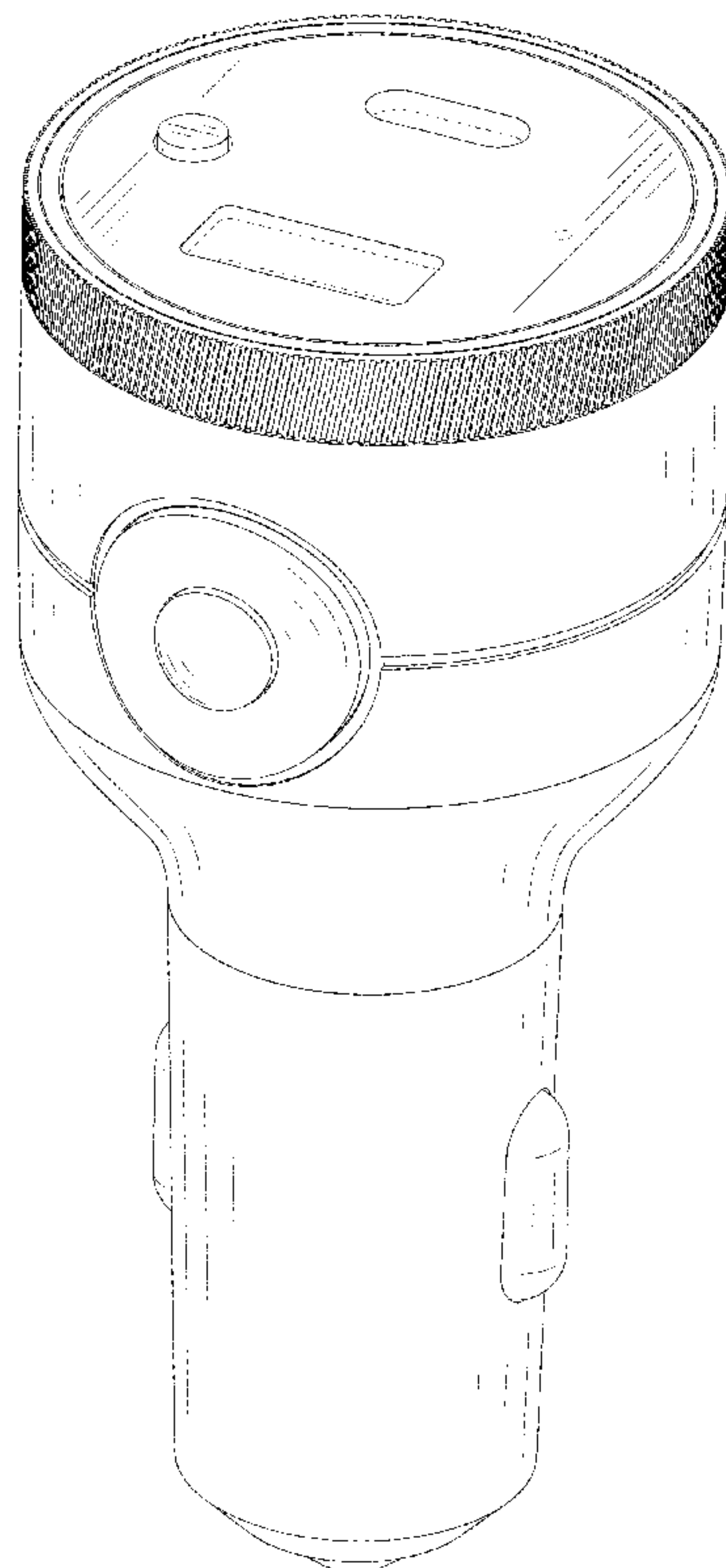
(57) **CLAIM**

The ornamental design for a FM transmitter, as shown and described.

DESCRIPTION

FIG. 1 is a perspective view of a FM transmitter showing my new design;
FIG. 2 is another perspective view thereof;
FIG. 3 is a front elevational view thereof;
FIG. 4 is a rear elevational view thereof;
FIG. 5 is a left side elevational view thereof;
FIG. 6 is a right side elevational view thereof;
FIG. 7 is a top plan view thereof; and,
FIG. 8 is a bottom plan view thereof.
The broken lines in the drawings depict portions of the FM transmitter that form no part of the claimed design.

1 Claim, 8 Drawing Sheets



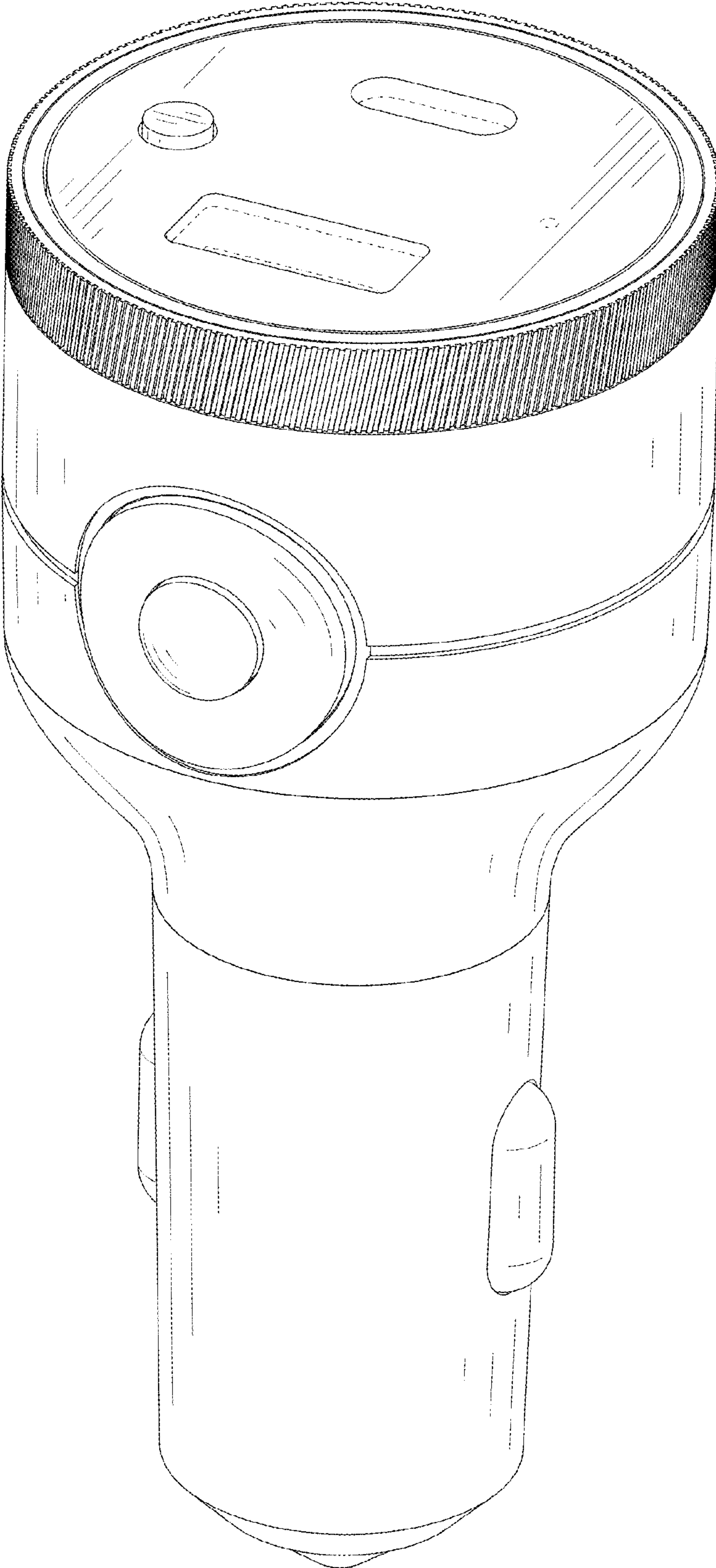


FIG. 1

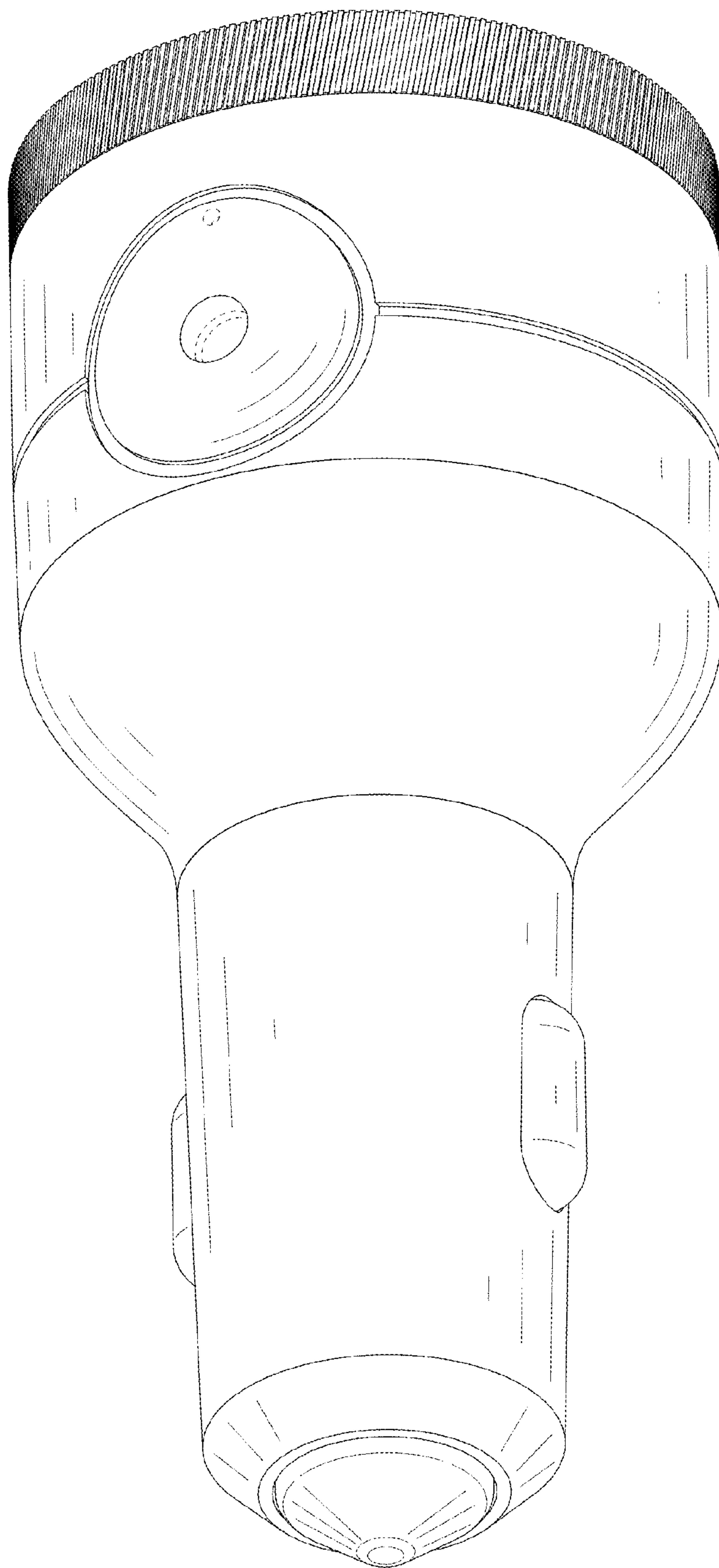


FIG. 2

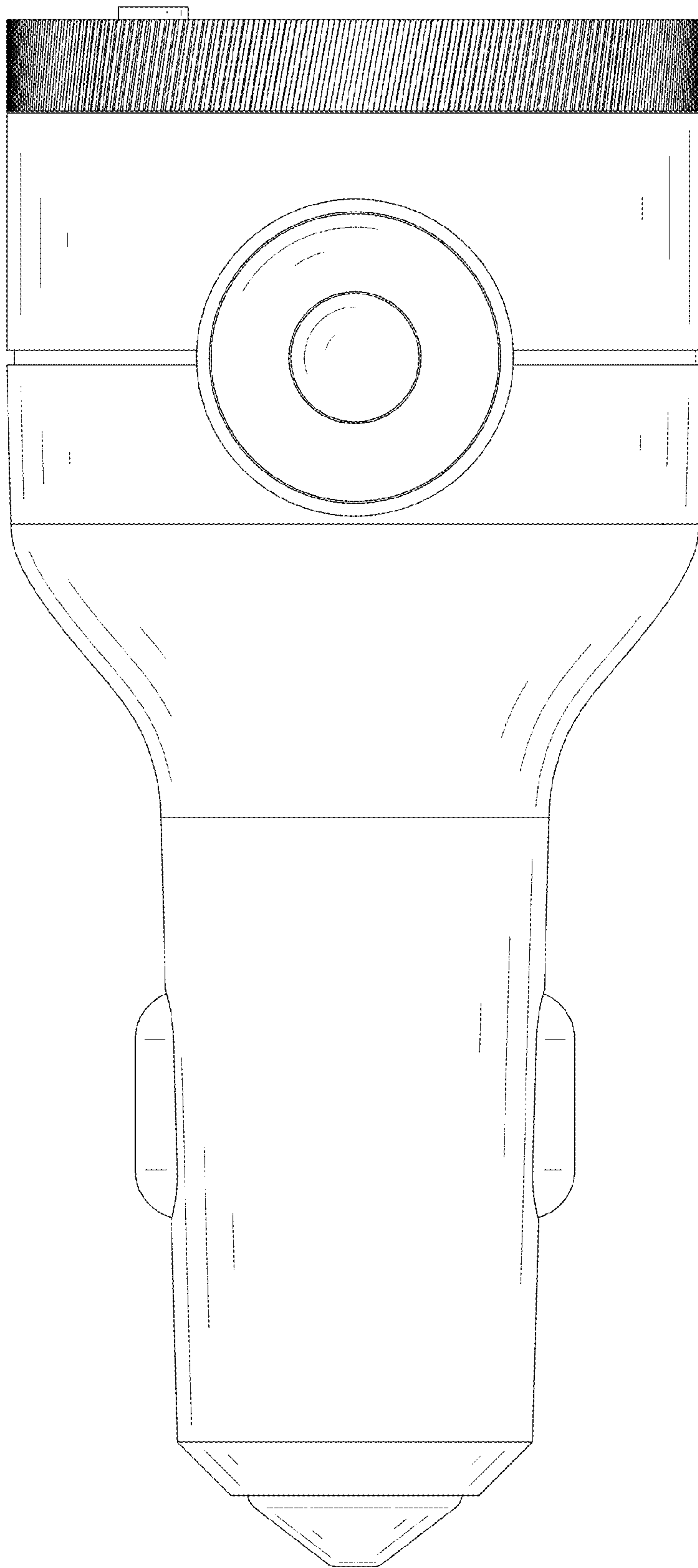


FIG. 3

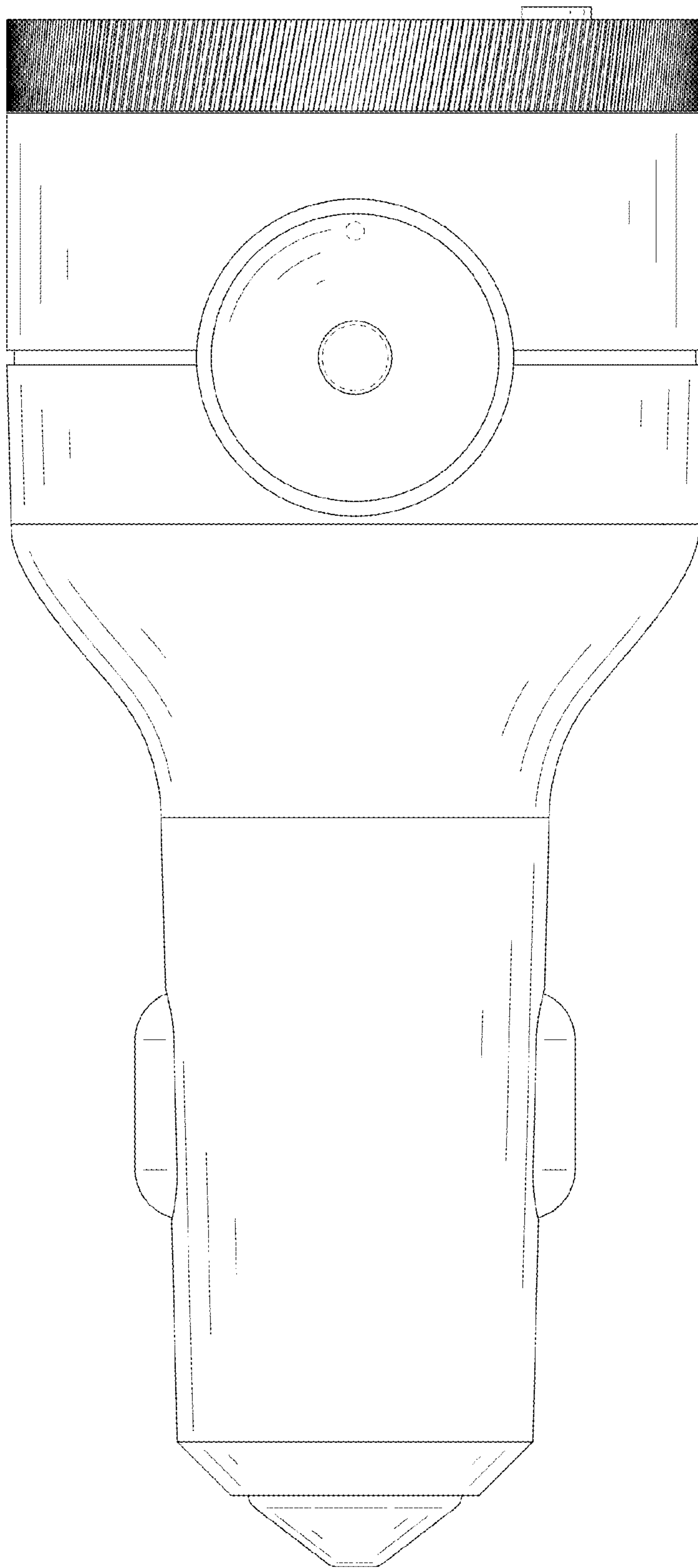


FIG. 4

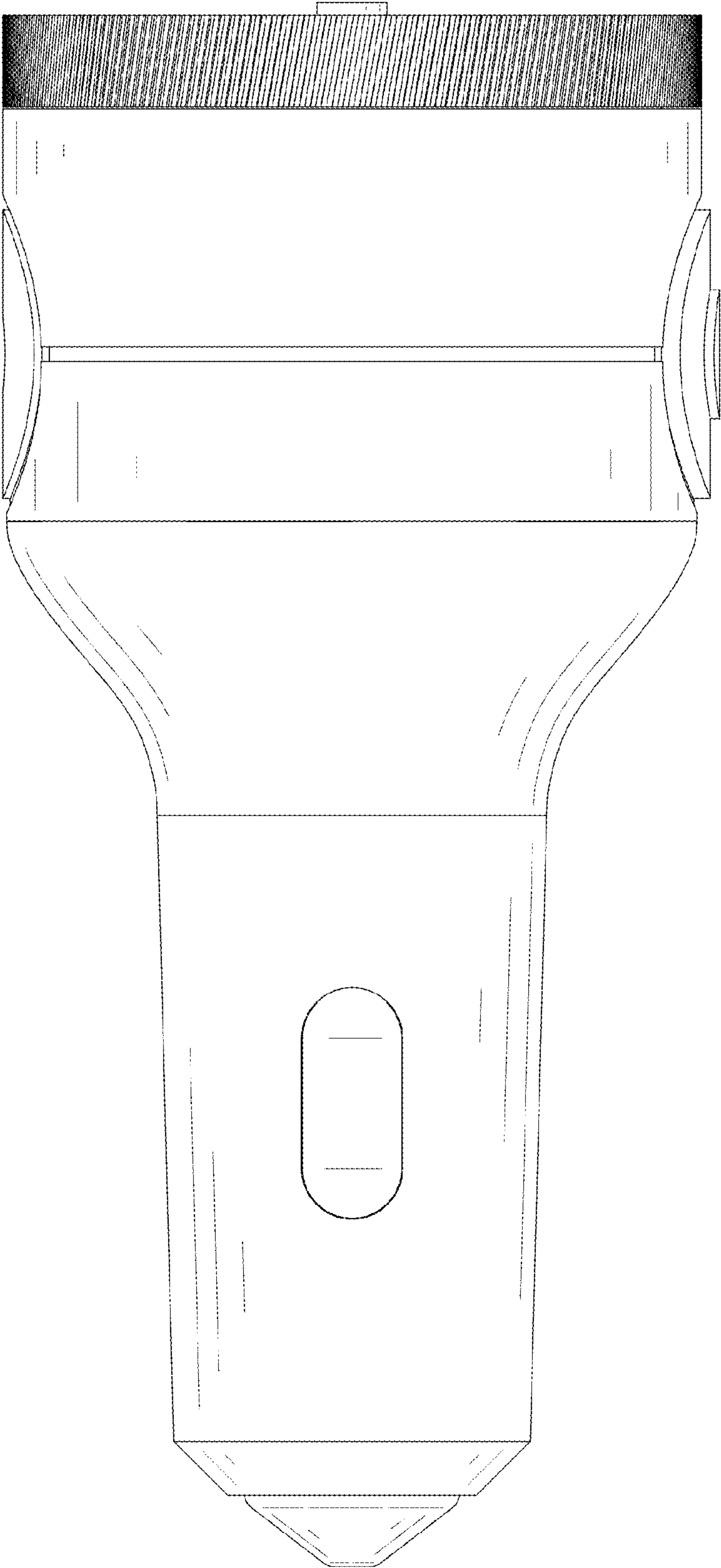


FIG. 5

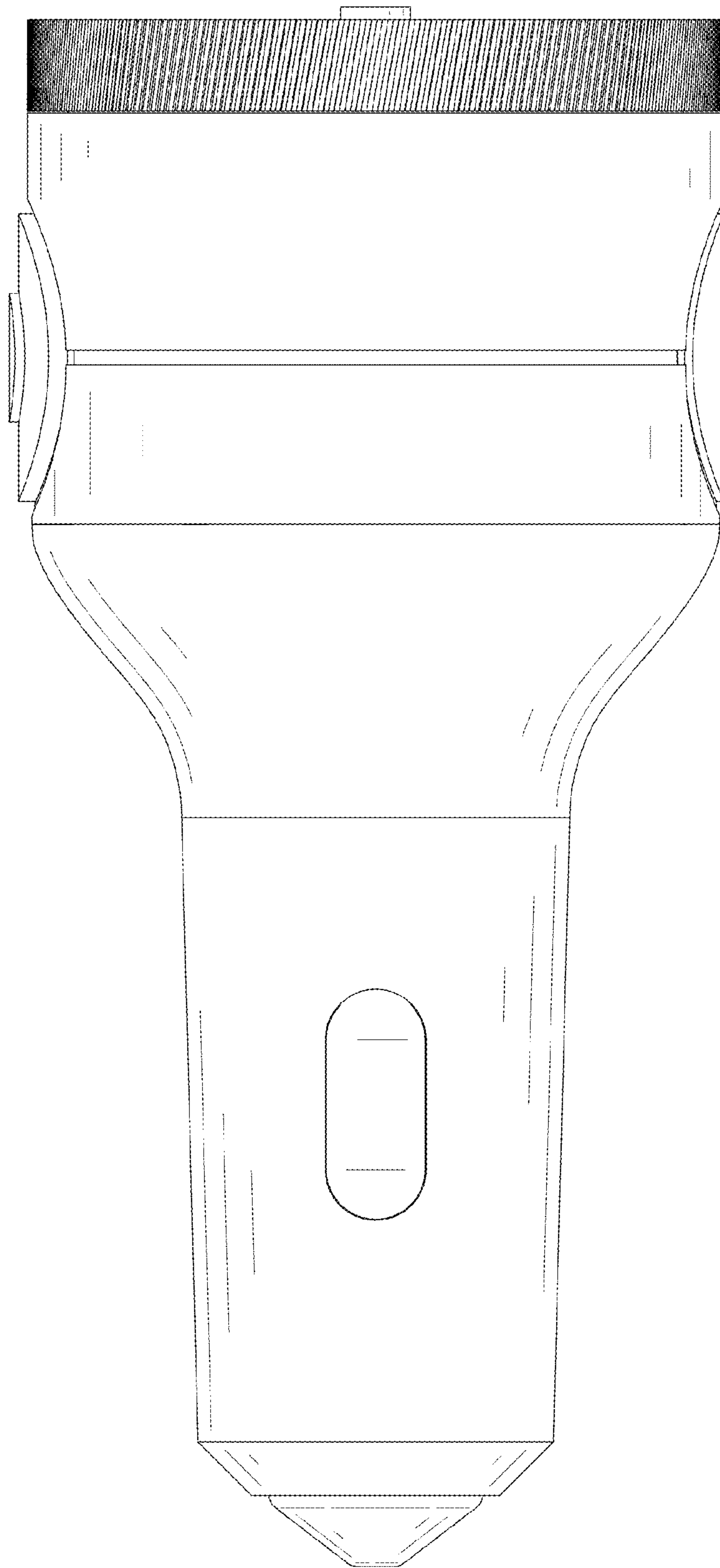


FIG. 6

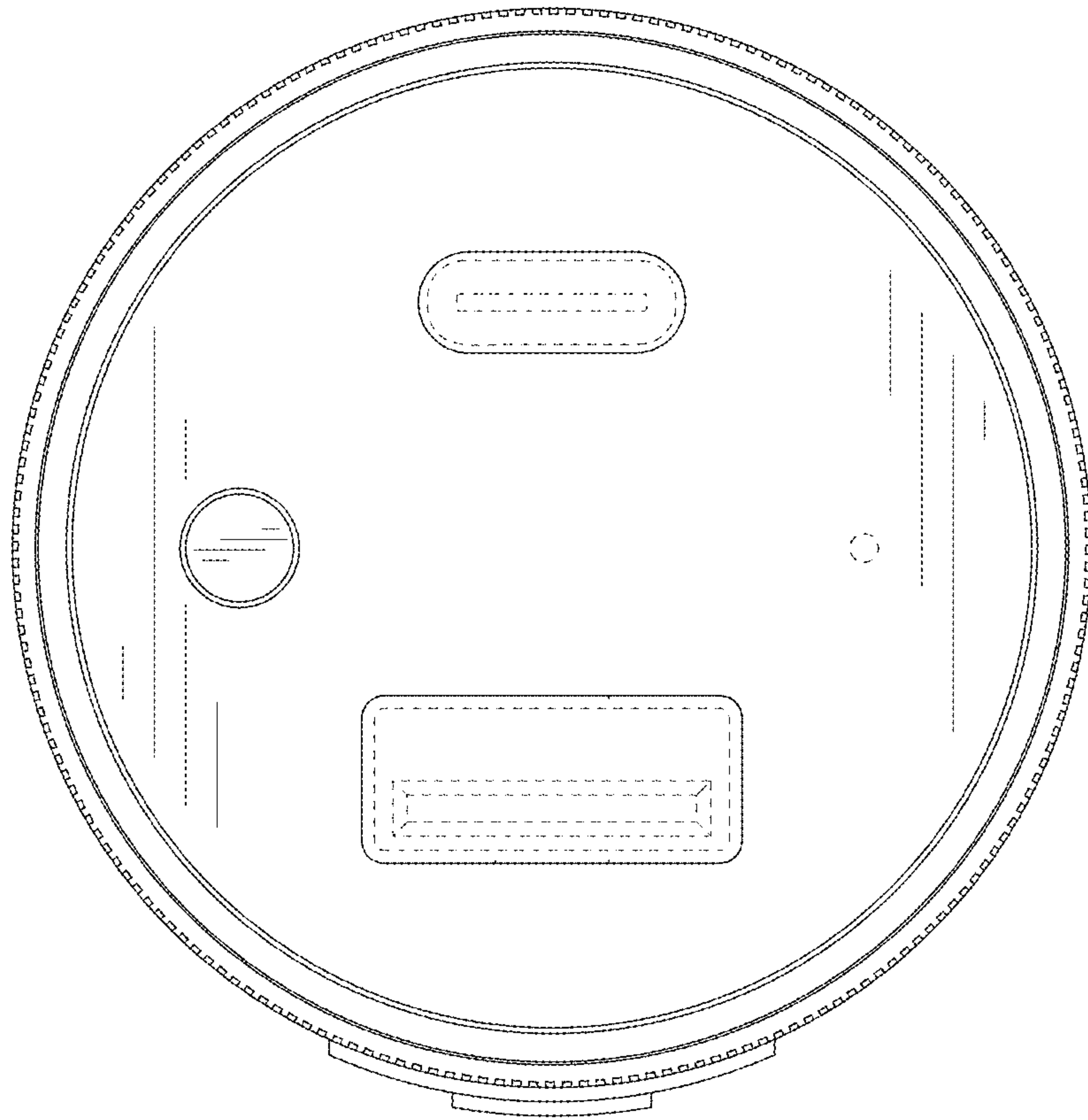


FIG. 7

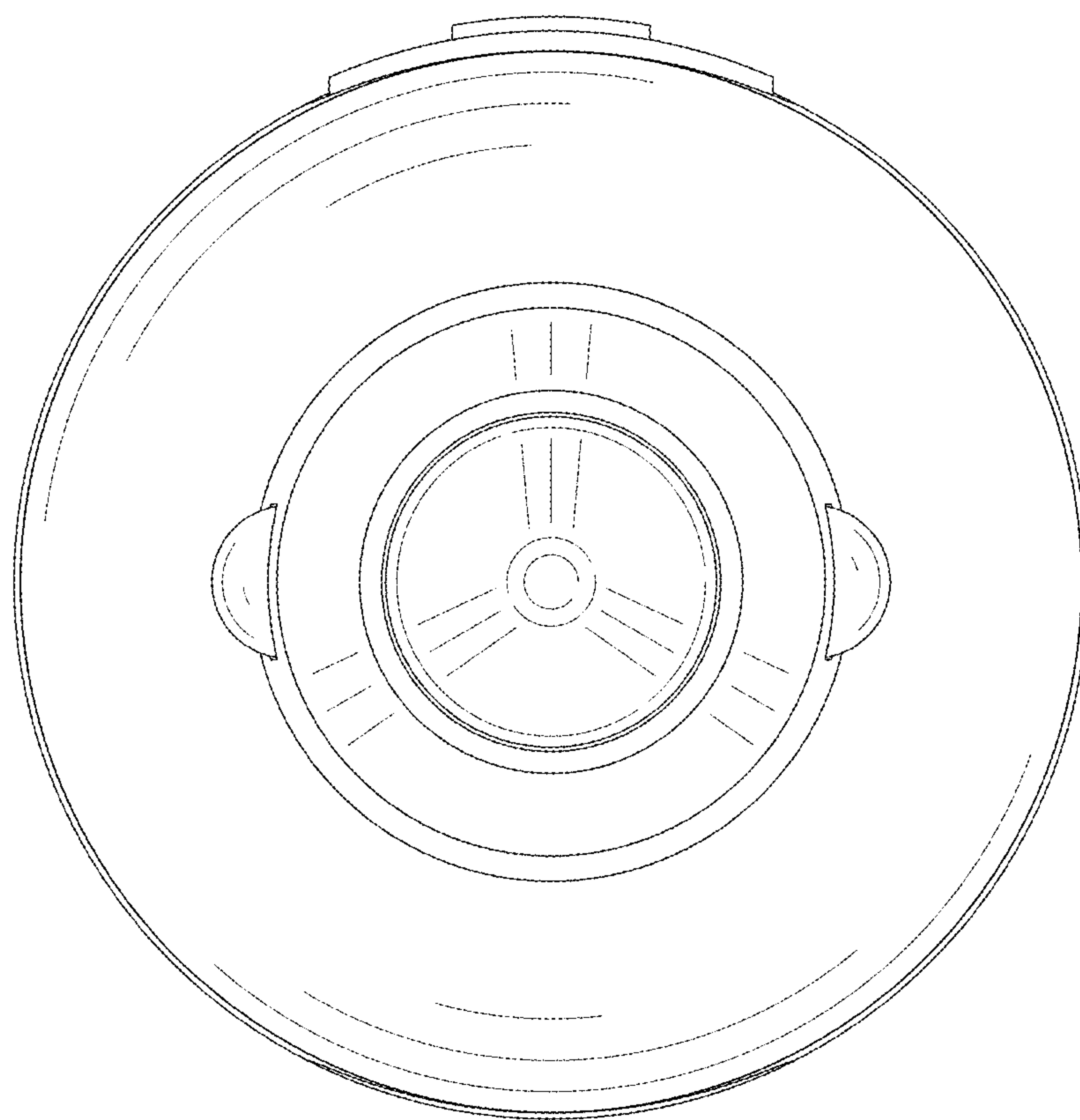


FIG. 8