



US00D945385S

(12) **United States Design Patent**
Takahashi

(10) **Patent No.:** **US D945,385 S**
(45) **Date of Patent:** **** Mar. 8, 2022**

(54) **PORTABLE TERMINAL**

FOREIGN PATENT DOCUMENTS

(71) Applicant: **KYOCERA Corporation**, Kyoto (JP)

CN 302526708 * 8/2013
EM 002523605-0002 * 8/2014

(72) Inventor: **Yusuke Takahashi**, Yokohama (JP)

(Continued)

(73) Assignee: **KYOCERA CORPORATION**, Kyoto (JP)

OTHER PUBLICATIONS

(**) Term: **15 Years**

Kyocera DuraForce Pro, date first available: Apr. 12, 2018, [retrieved Sep. 9, 2021], Retrieved from Internet, URL: <https://www.amazon.com/Kyocera-DuraForce-Smartphone-Certified-Refurbished/dp/B07C58S2JG> (Year: 2018).*

(21) Appl. No.: **29/707,074**

(Continued)

(22) Filed: **Sep. 25, 2019**

Primary Examiner — Barbara Fox

Assistant Examiner — Aram Kwon

(30) **Foreign Application Priority Data**

(74) *Attorney, Agent, or Firm* — Hauptman Ham, LLP

Mar. 25, 2019 (JP) 2019-006242

(57) **CLAIM**

(51) **LOC (13) Cl.** **14-03**

The ornamental design for a portable terminal, as shown and described.

(52) **U.S. Cl.**

DESCRIPTION

USPC **D14/138 R**

(58) **Field of Classification Search**

USPC D14/138 AA, 138 AB, 138 AC, 138 AD,
D14/138 C, 138 G, 248, 315–318,
D14/341–347; D6/308, 310; D10/50, 65,
D10/104.1; D18/6–7; D19/26, 59–60;
D21/324, 329–330, 332

CPC ... H04M 1/0202; H04M 1/0266; H04M 1/725
See application file for complete search history.

FIG. 1 is a front view of a portable terminal bearing the design;
FIG. 2 is a rear view thereof;
FIG. 3 is a right side view thereof;
FIG. 4 is a left side view thereof;
FIG. 5 is a top view thereof;
FIG. 6 is a bottom view thereof;
FIG. 7 is a top-front-right perspective view thereof;
FIG. 8 is a top-rear-left perspective view thereof;
FIG. 9 is an enlarged view of a portion of the portable terminal shown in rectangle 9 of FIG. 1; and,
FIG. 10 is an enlarged view of a portion of the portable terminal shown in rectangle 10 of FIG. 3.

(56) **References Cited**

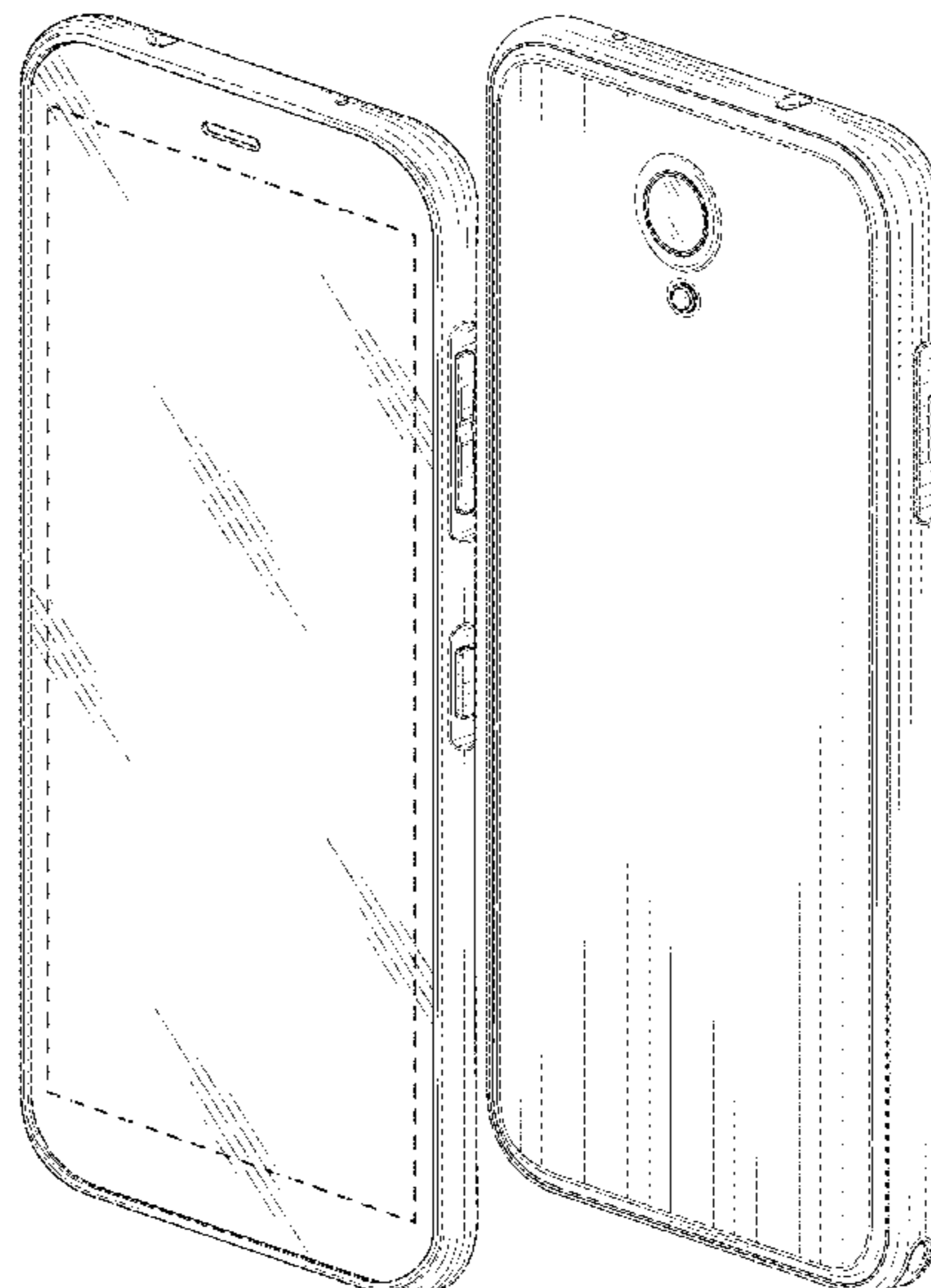
U.S. PATENT DOCUMENTS

D697,889 S * 1/2014 Ahn D14/138 G
D721,667 S * 1/2015 Chuang D14/138 G
D736,734 S * 8/2015 Nagao D14/138 G
D743,931 S * 11/2015 Hubbard D14/203.7
D752,003 S * 3/2016 Hung D14/138 G
D752,005 S * 3/2016 Dhondt D14/138 G

The broken lines encircling portions of the claimed design that are illustrated in the enlargements form no part of the claimed design. The remaining broken lines shown in the drawings depict portions of the portable terminal that form no part of the claimed design.

(Continued)

1 Claim, 6 Drawing Sheets



(56)

References Cited

OTHER PUBLICATIONS

U.S. PATENT DOCUMENTS

D755,146 S * 5/2016 Cho D14/138 G
 D755,147 S * 5/2016 Lin D14/138 G
 D756,947 S * 5/2016 Walliser D14/138 G
 D772,190 S * 11/2016 Cheng D14/138 G
 D777,134 S * 1/2017 Hachiya D14/138 G
 D778,867 S * 2/2017 Husgafvel D14/138 G
 D778,868 S * 2/2017 Yang D14/138 G
 D781,803 S * 3/2017 Ishii D14/138 G
 D782,993 S * 4/2017 Wang D14/138 G
 9,727,146 B2 * 8/2017 Kang G06F 1/1626
 D806,669 S * 1/2018 Kangasmaa D14/138 AA
 D825,516 S * 8/2018 Li D14/138 G
 D827,605 S * 9/2018 Yao D14/138 G
 D834,554 S * 11/2018 Gordon D14/138 G
 D900,776 S * 11/2020 Ji D14/138 G
 D933,062 S * 10/2021 D'Ulisse D14/341
 D933,626 S * 10/2021 Zhu D14/138 G
 2013/0217444 A1 * 8/2013 Lee G06F 1/1635
 455/566

FOREIGN PATENT DOCUMENTS

JP D1622522 * 1/2019
 JP D1628824 * 4/2019

Kyocera Event Prepaid Android Phone, date first available: Feb. 13, 2013, [retrieved Sep. 9, 2021], Retrieved from Internet, URL: <<https://www.amazon.com/Kyocera-Event-Prepaid-Android-Virgin/dp/B00B9K6ESC>> (Year: 2013).*

Kyocera Hydro WAVE, date first available: Jul. 24, 2015, [retrieved Sep. 9, 2021], Retrieved from Internet, URL: <<https://www.amazon.com/Kyocera-Hydro-C6740-Metro-Smartphone/dp/B012HOFHNG>> (Year: 2015).*

Kyocera Hydro Wave, date not available, [retrieved Sep. 9, 2021], Retrieved from Internet, URL: <https://www.electronicshobby.com/index.php?main_page=product_info&products_id=61670> (Year: 2021).*

Sharp AQUOS Sense, Sep. 3, 2019, <https://jp.sharp/k-tai/aquos-sense/>, 13pp.

Sharp aquos-r2-compact, Sep. 3, 2019, <https://jp.sharp/k-tai/aquos-r2-compact/>, 25pp.

Tanaka, Huawei nova lite 3, Sep. 3, 2019, <https://www.itmedia.co.jp/mobile/articles/1901/30/news112.html>, IT Media, 11pp.

Huawei P20, Sep. 3, 2019, https://consumer.huawei.com/jp/phones/p20/?utm_source=google&utm_medium=search&utm_campaign=HUAWEI_P20&utm_content=HUAWEI_P20&utm_term=49&tgclid=CjwKCAjwqZPrBRBnEiwAmNJsNiTh194jRqx7poBg2QwNTqiNOEiDPpKMHB4XK59PVJWfH9t1NzulRoCYpQQAvD_BwE, 20pp.

* cited by examiner

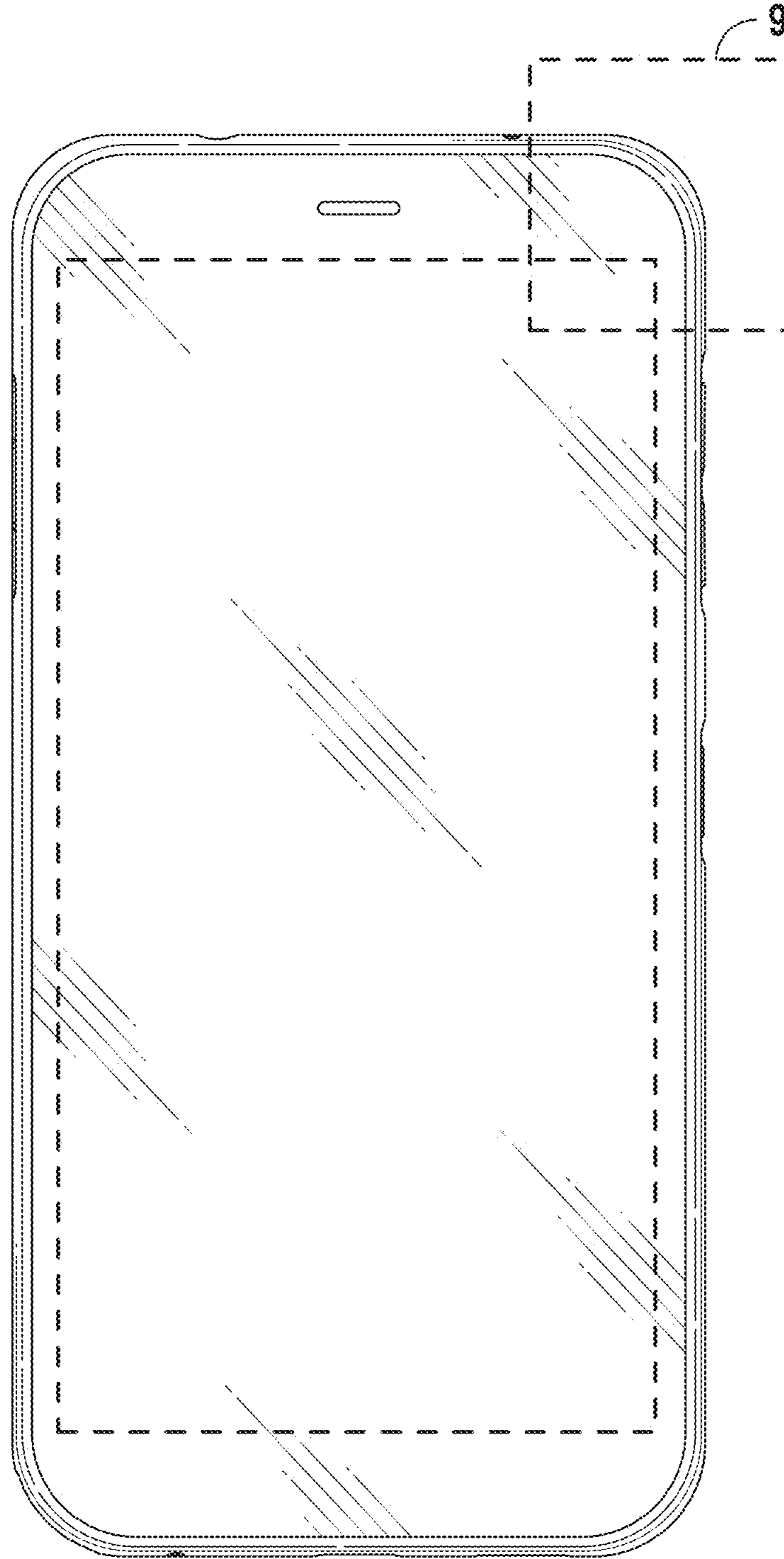


FIG. 1

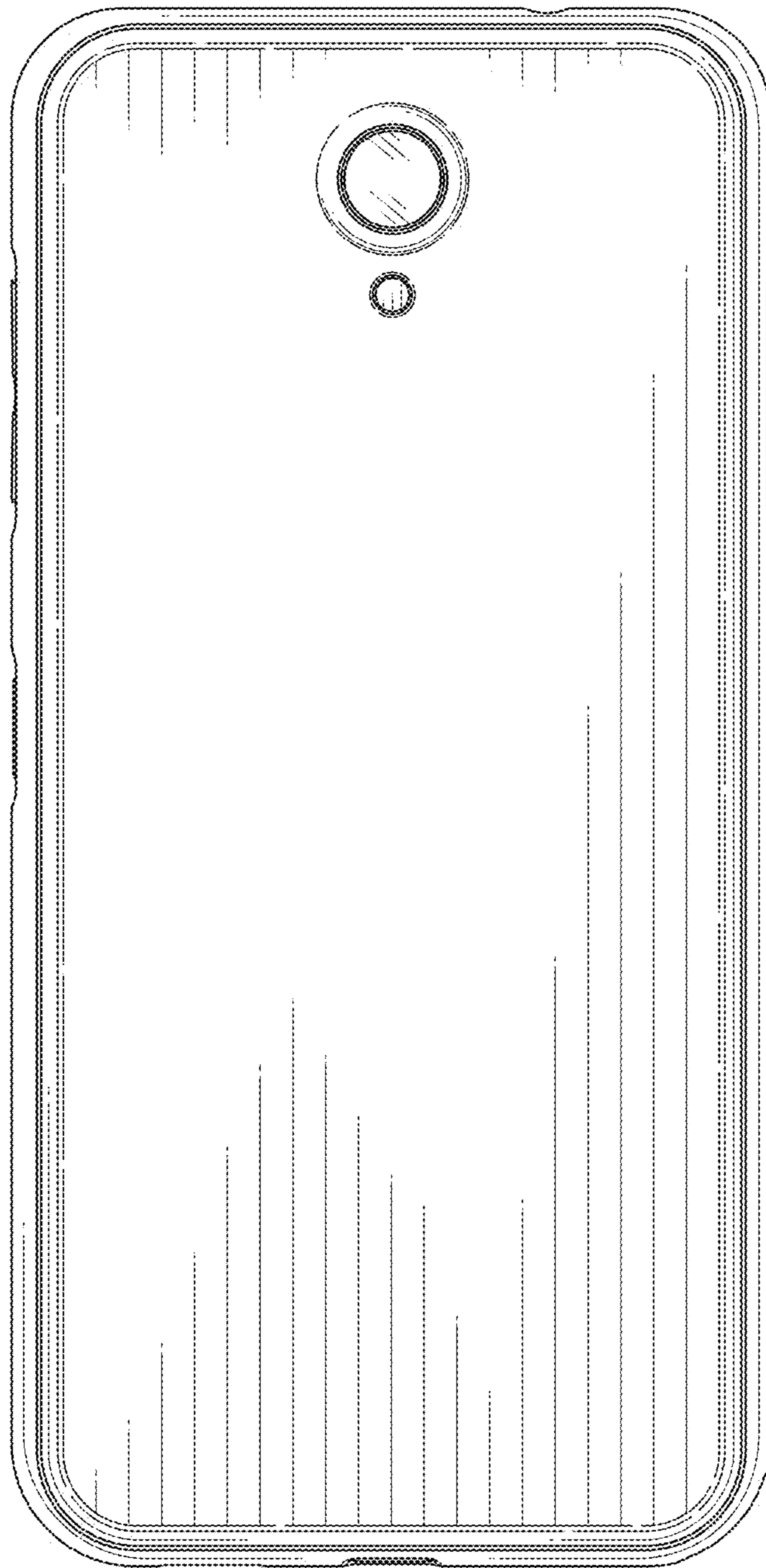


FIG. 2

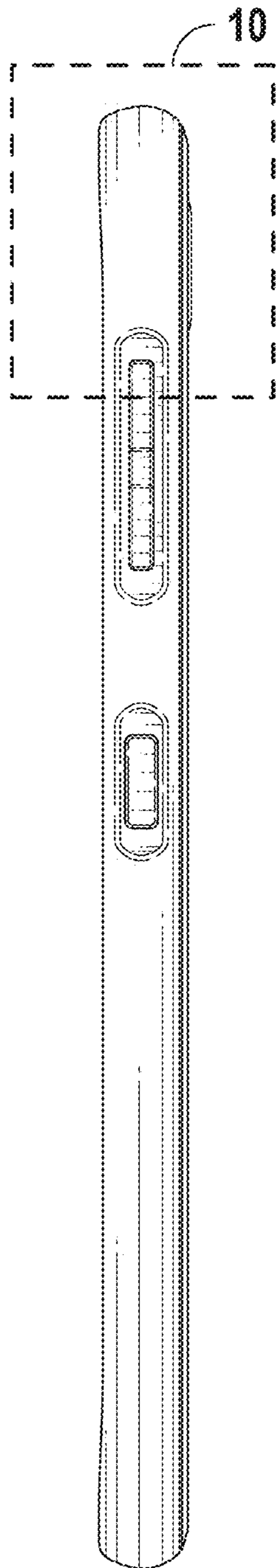


FIG. 3

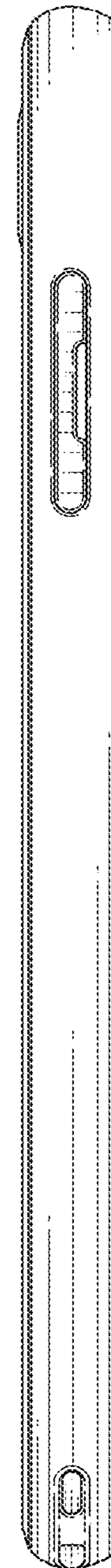


FIG. 4



FIG. 5



FIG. 6

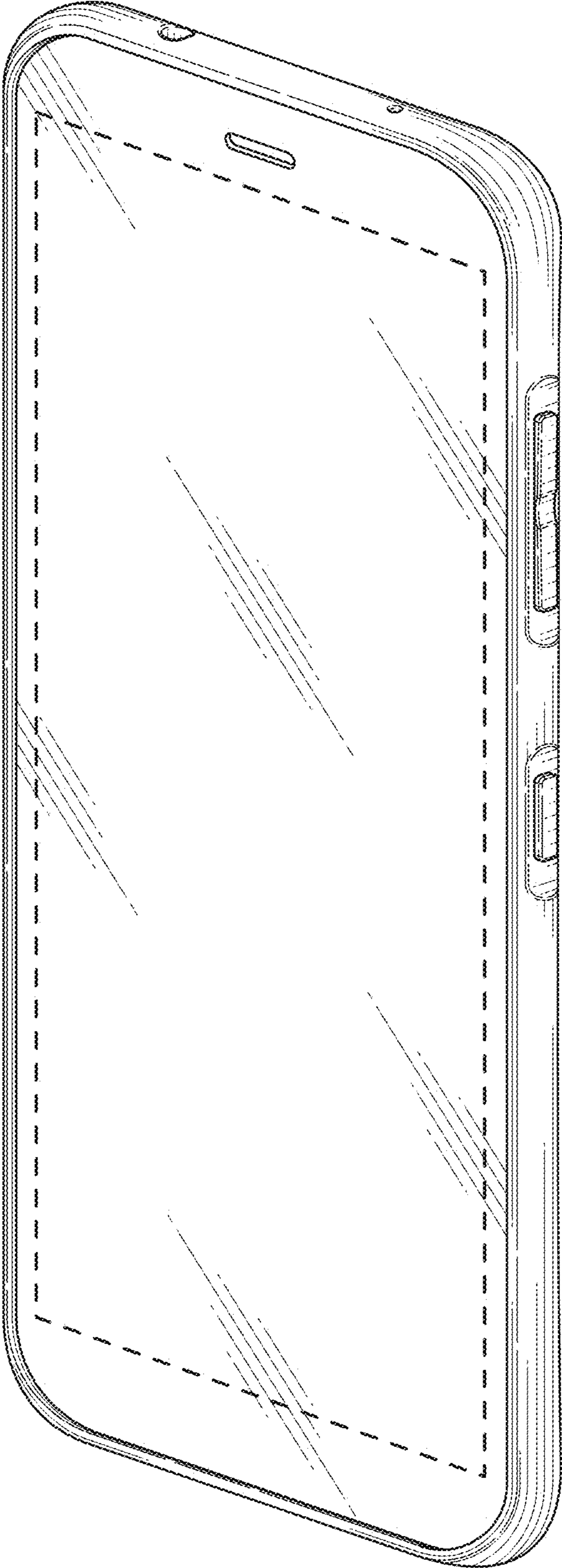


FIG. 7



FIG. 8

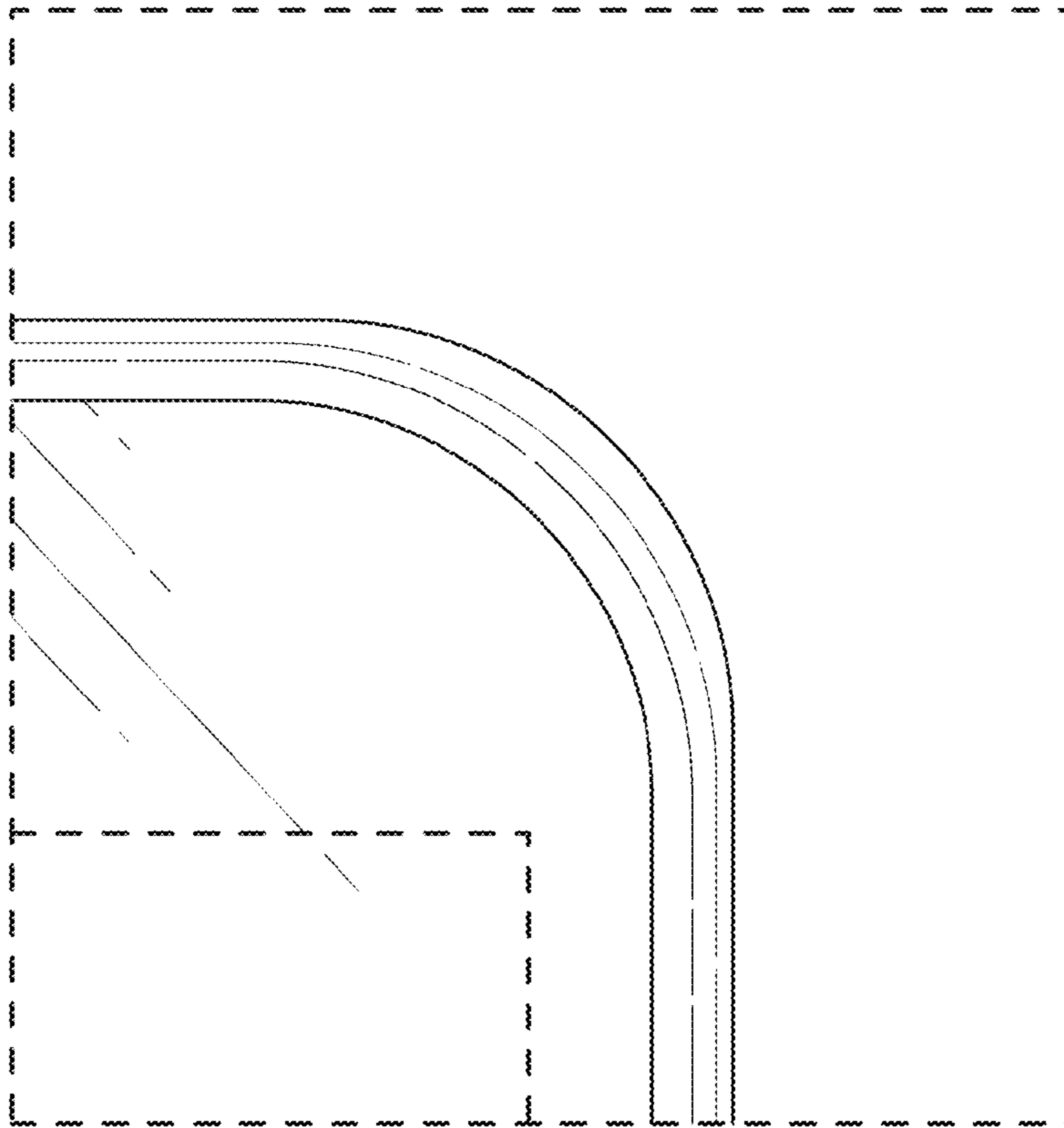


FIG. 9

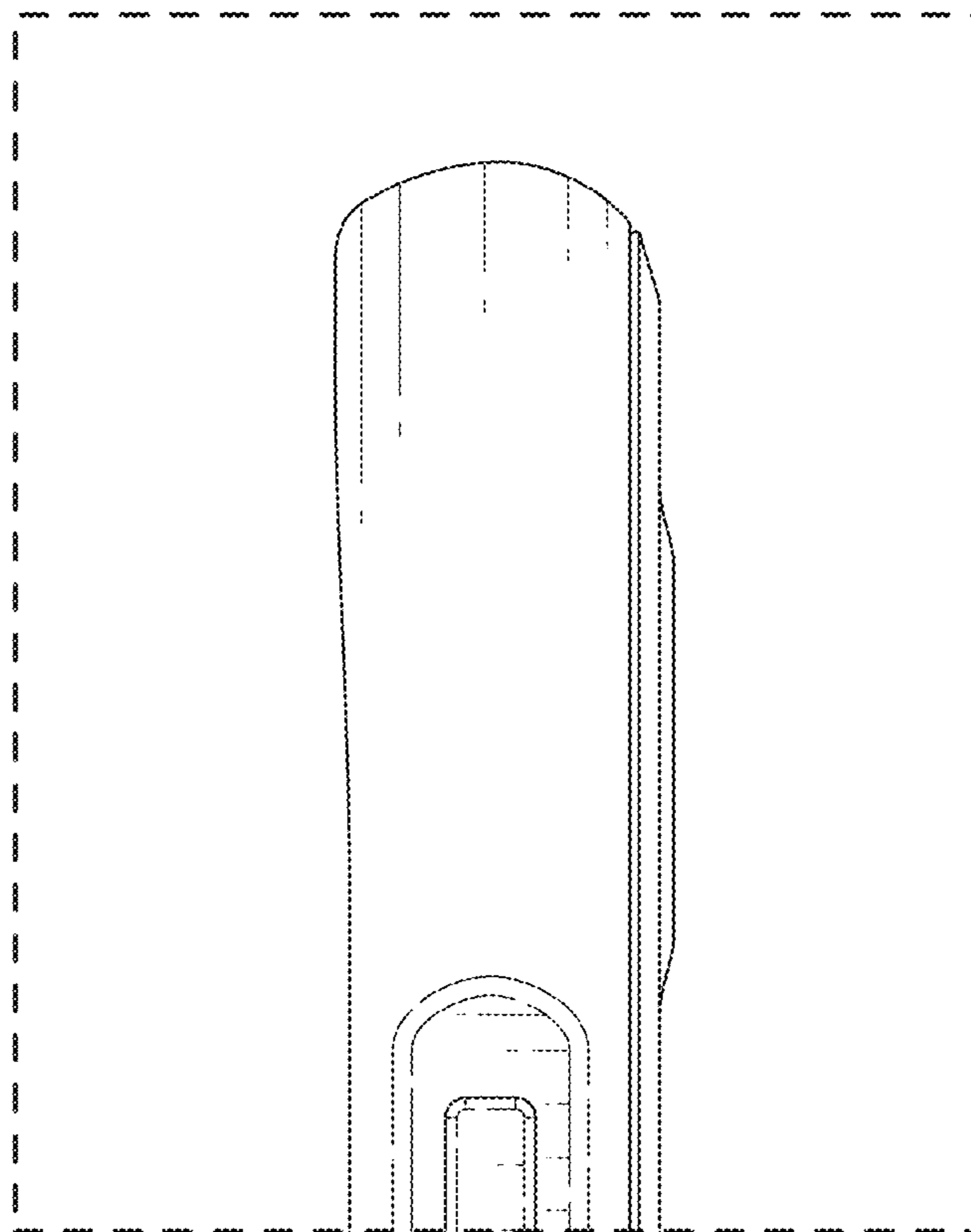


FIG. 10