



US00D945381S

(12) **United States Design Patent** (10) **Patent No.:** **US D945,381 S**
Rosolak et al. (45) **Date of Patent:** **** Mar. 8, 2022**

(54) **VIDEO CONFERENCE SYSTEM CONTROLLER**
(71) Applicant: **Cisco Technology, Inc.**, San Jose, CA (US)
(72) Inventors: **Malgorzata Natalia Rosolak**, Snarøya (NO); **André Lyngra**, Skjetten (NO); **Linn Tale Haugen**, Oslo (NO)
(73) Assignee: **CISCO TECHNOLOGY, INC.**, San Jose, CA (US)
(**) Term: **15 Years**
(21) Appl. No.: **29/728,057**
(22) Filed: **Mar. 16, 2020**
(51) **LOC (13) Cl.** **14-03**
(52) **U.S. Cl.**
USPC **D13/168**
(58) **Field of Classification Search**
USPC D14/218, 336, 371, 125-126, 138 R; D13/168, 162-164
CPC H04N 7/00; H04N 5/232; B60R 25/00; H01H 3/14; H01H 9/00
See application file for complete search history.

(56) **References Cited**
U.S. PATENT DOCUMENTS
D426,826 S * 6/2000 Uehara D14/218
D520,989 S * 5/2006 Miller D14/218
D590,374 S * 4/2009 Madonna D14/218
D631,469 S * 1/2011 Demskie D14/218
7,925,310 B2 * 4/2011 Chiu G06F 1/1624 455/575.1
D639,277 S * 6/2011 Alvarado D14/218
D664,958 S * 8/2012 McManigal D14/434
D678,877 S * 3/2013 Groene D14/341
D695,701 S * 12/2013 Lee D14/126
D701,185 S * 3/2014 McManigal D14/126
D705,778 S * 5/2014 Groene D14/341
D751,520 S * 3/2016 Seo D14/126

D763,203 S * 8/2016 Ikegaya D13/168
9,660,403 B2 * 5/2017 Hochman G06F 3/1446
10,094,585 B2 * 10/2018 Leen G05B 15/02
D882,567 S * 4/2020 Parfitt D14/371
D899,388 S * 10/2020 Park D14/126
D899,389 S * 10/2020 Park D14/126
D902,202 S * 11/2020 Fung D14/341
D911,334 S * 2/2021 Lofberg D14/389
D917,462 S * 4/2021 Widiaman D14/341
(Continued)

FOREIGN PATENT DOCUMENTS

WO WO D090083-001 * 9/2016

OTHER PUBLICATIONS

Cisco, "Cisco Touch 10", Cisco Public Data Sheet, Oct. 2019, 6 pages.

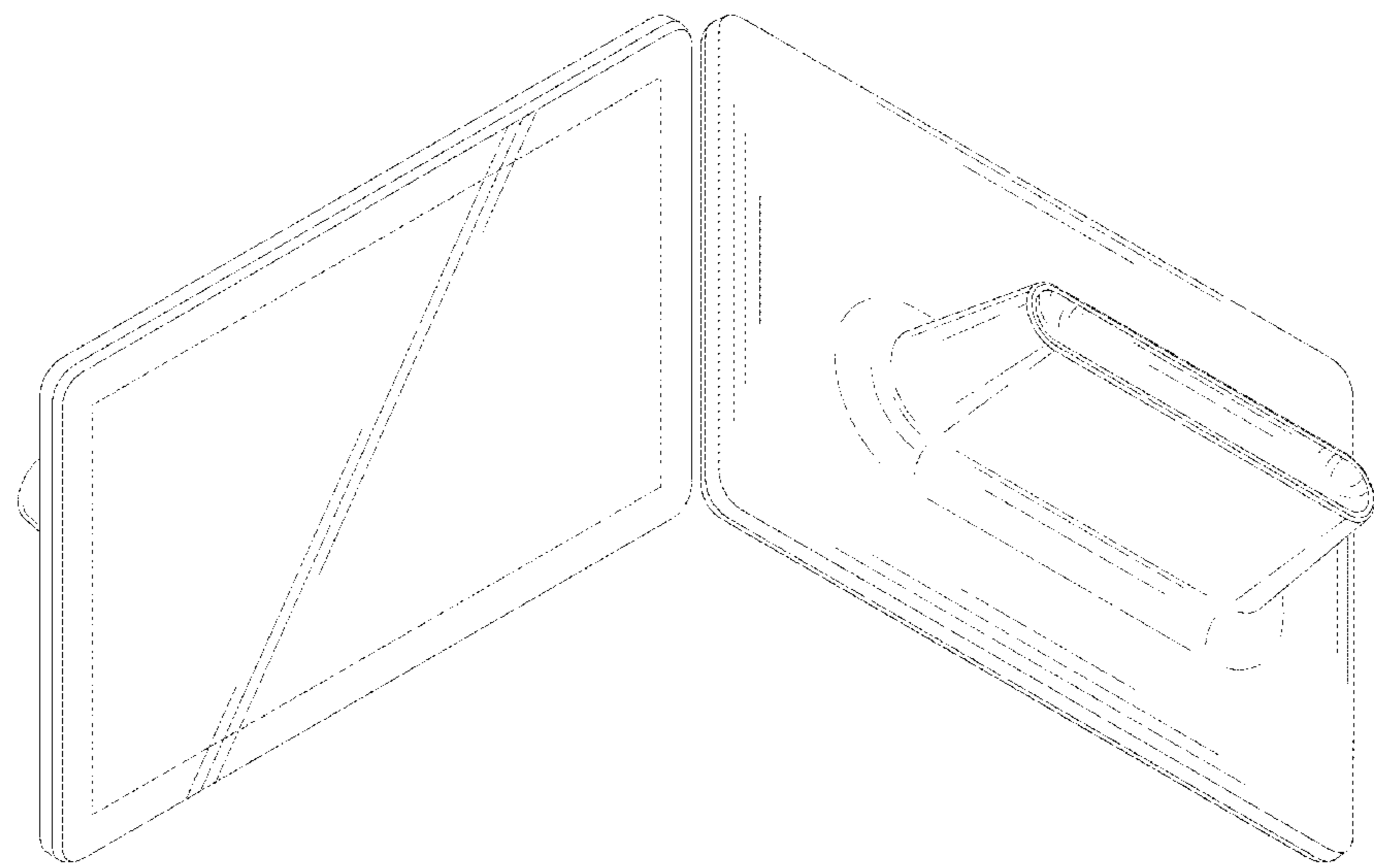
Primary Examiner — John R Yeh
(74) *Attorney, Agent, or Firm* — Edell, Shapiro & Finnan, LLC

(57) **CLAIM**
The ornamental design for a video conference system controller, as shown and described.

DESCRIPTION

FIG. 1 is a front perspective view for a video conference system controller showing our new design; FIG. 2 is a back perspective view thereof; FIG. 3 is a front view thereof; FIG. 4 is a back view thereof; FIG. 5 is a first side view thereof; FIG. 6 is a second side view thereof; FIG. 7 is a top view thereof; and, FIG. 8 is a bottom view thereof. The broken lines in the drawings depict portions of the video system conference controller that form no part of the claimed design.

1 Claim, 6 Drawing Sheets



(56)

References Cited

U.S. PATENT DOCUMENTS

D917,494 S * 4/2021 Okuley D14/447
2016/0054756 A1* 2/2016 Lan G02B 7/003
353/101
2016/0070964 A1* 3/2016 Conrad H04N 5/232
348/150
2020/0143567 A1* 5/2020 Dukerschein G06F 1/1686

* cited by examiner

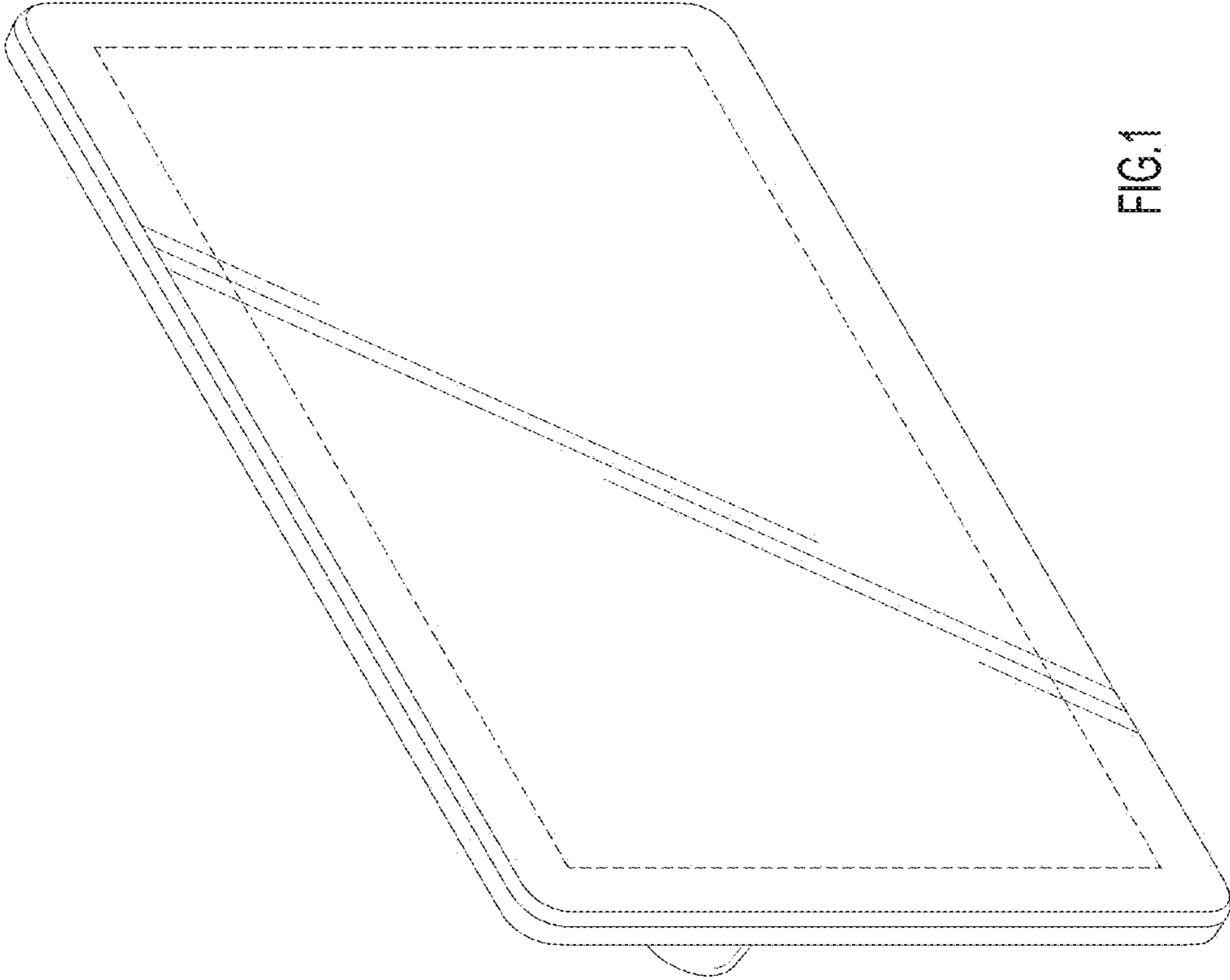


FIG. 1

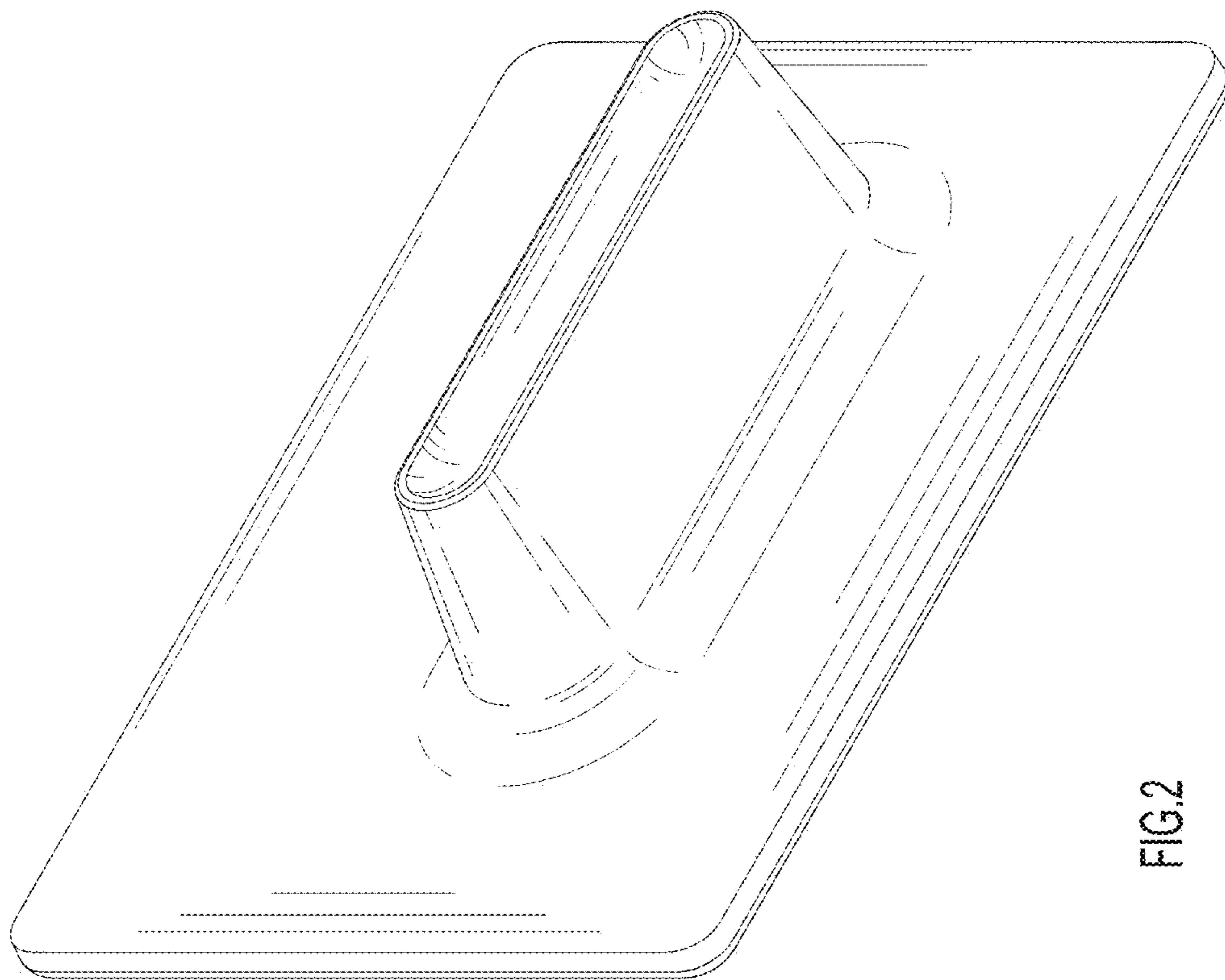


FIG.2

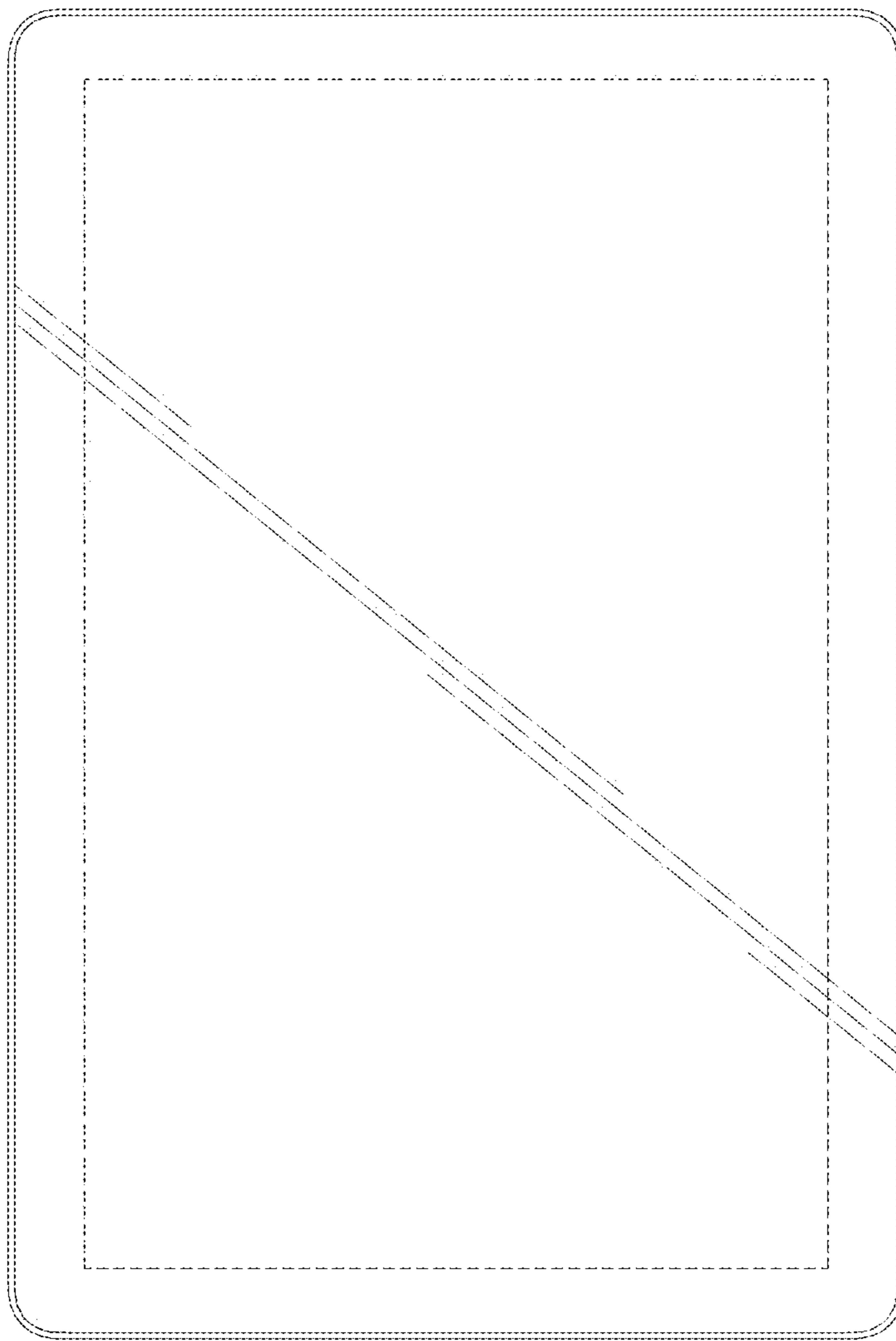


FIG. 3

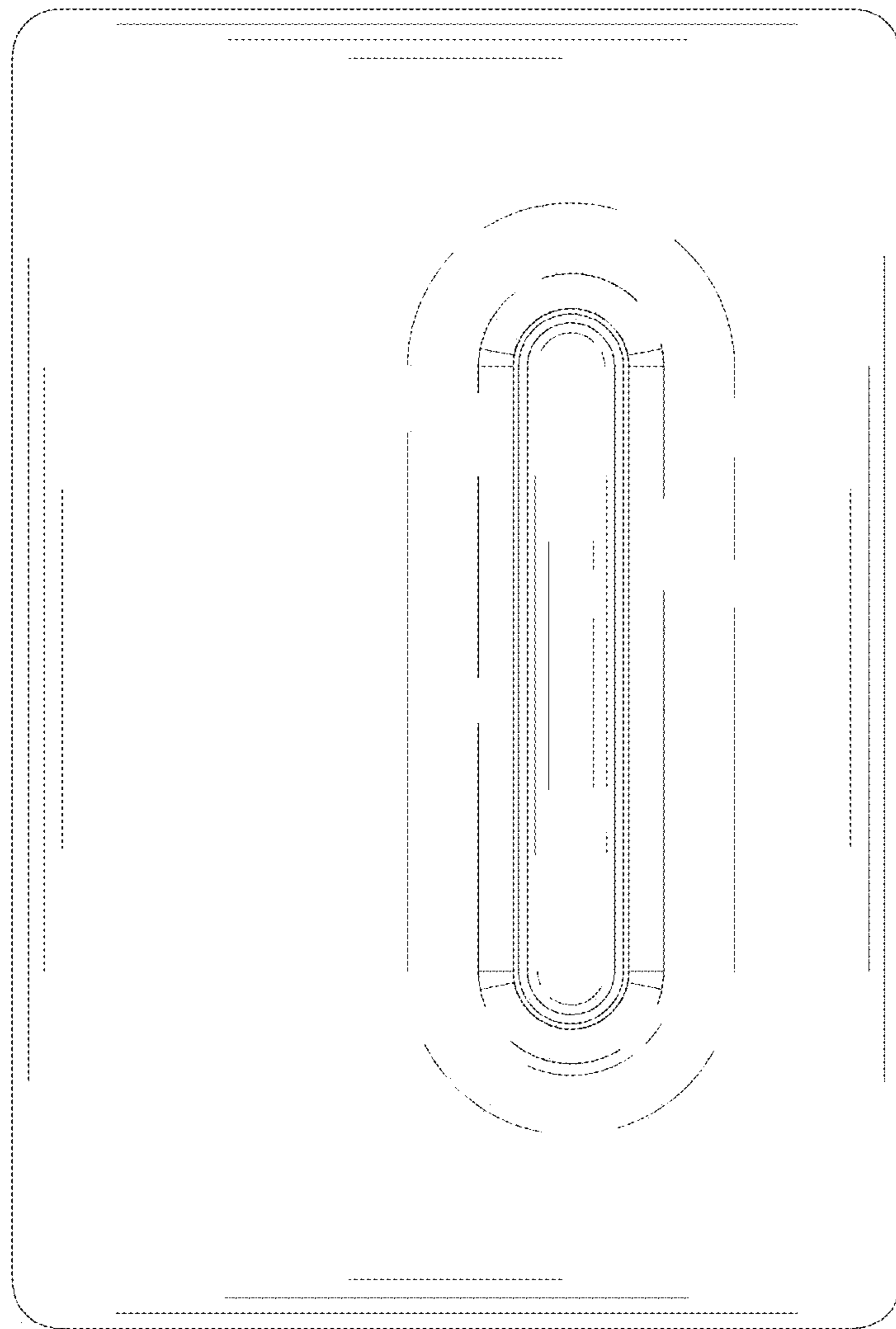


FIG. 4

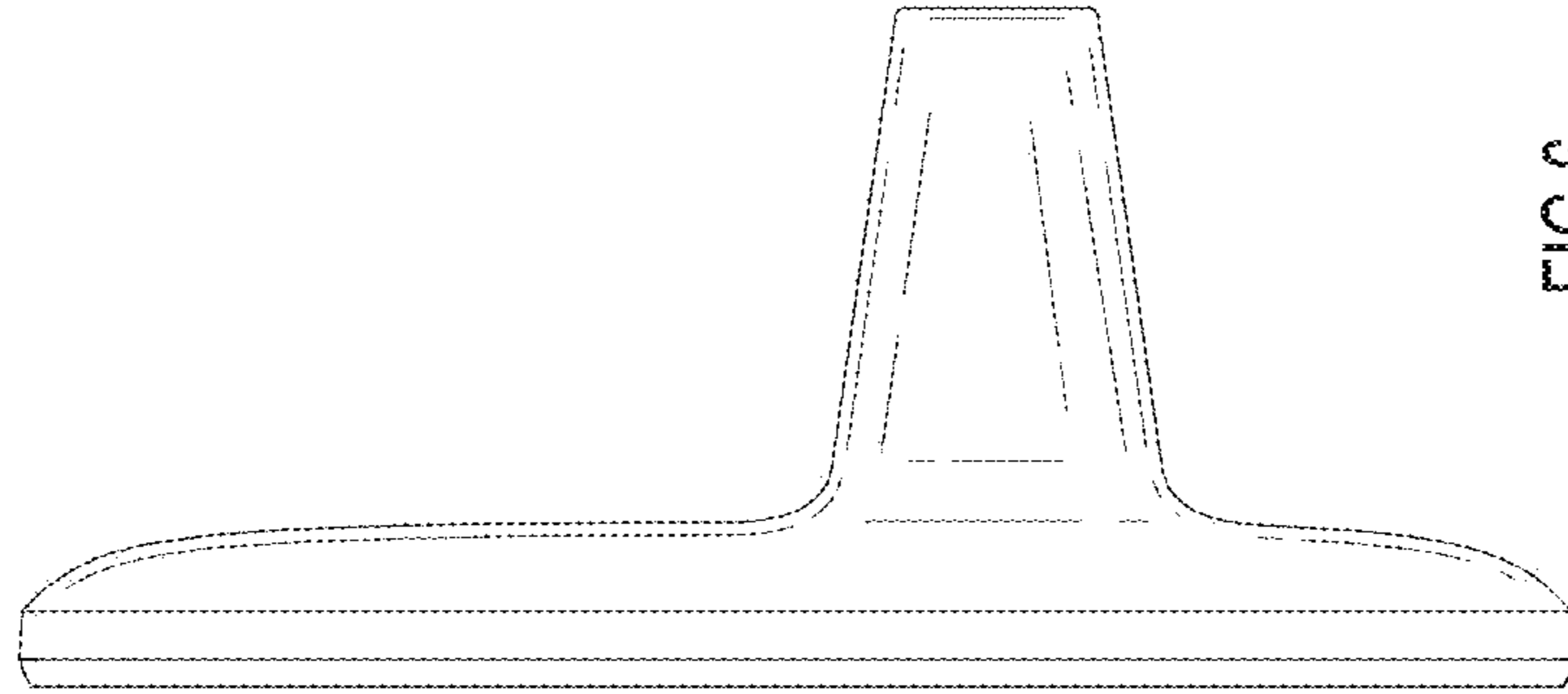


FIG. 6

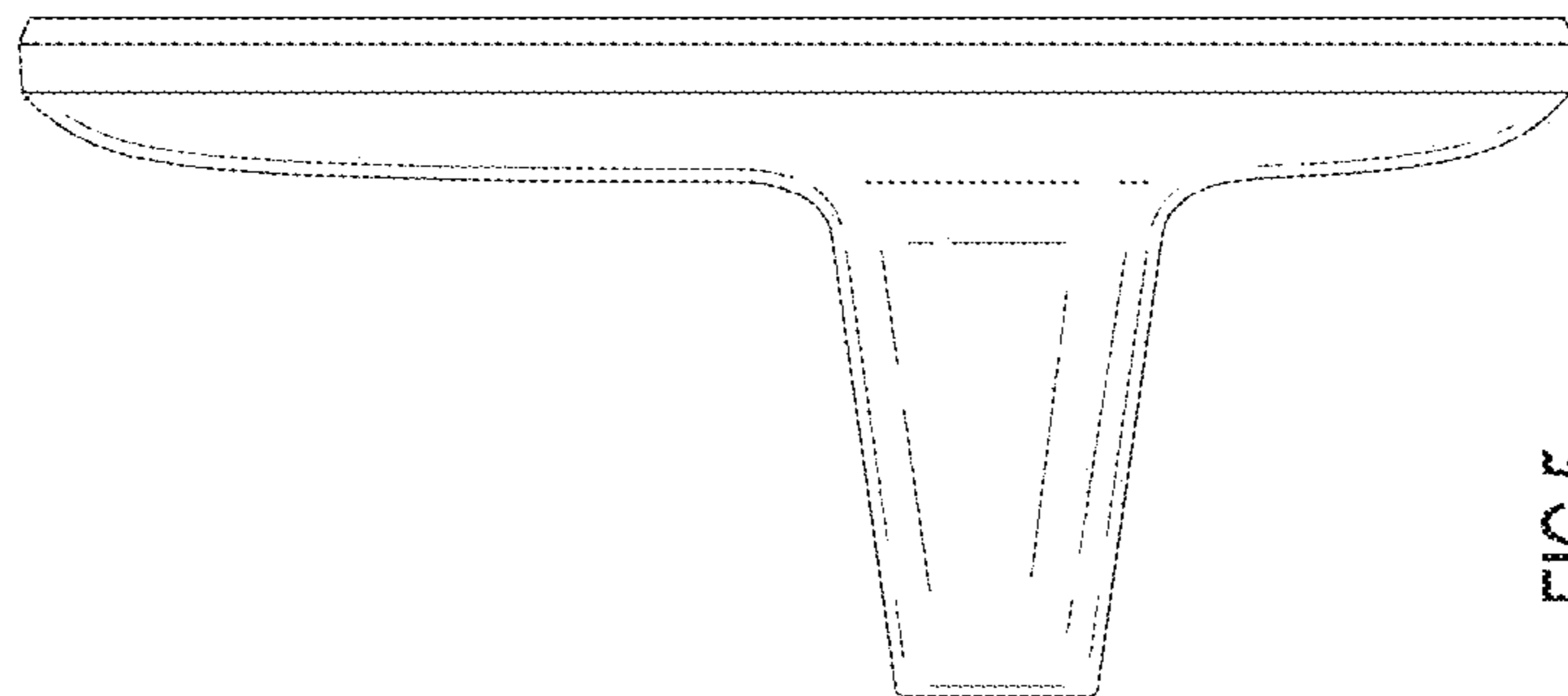


FIG. 5

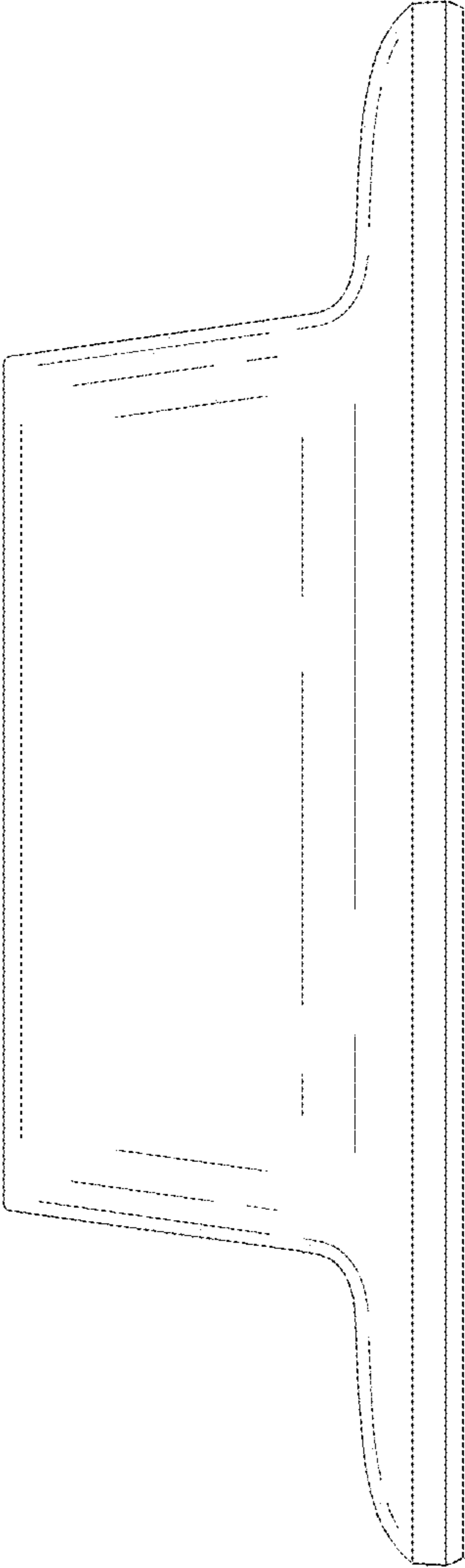


FIG. 7

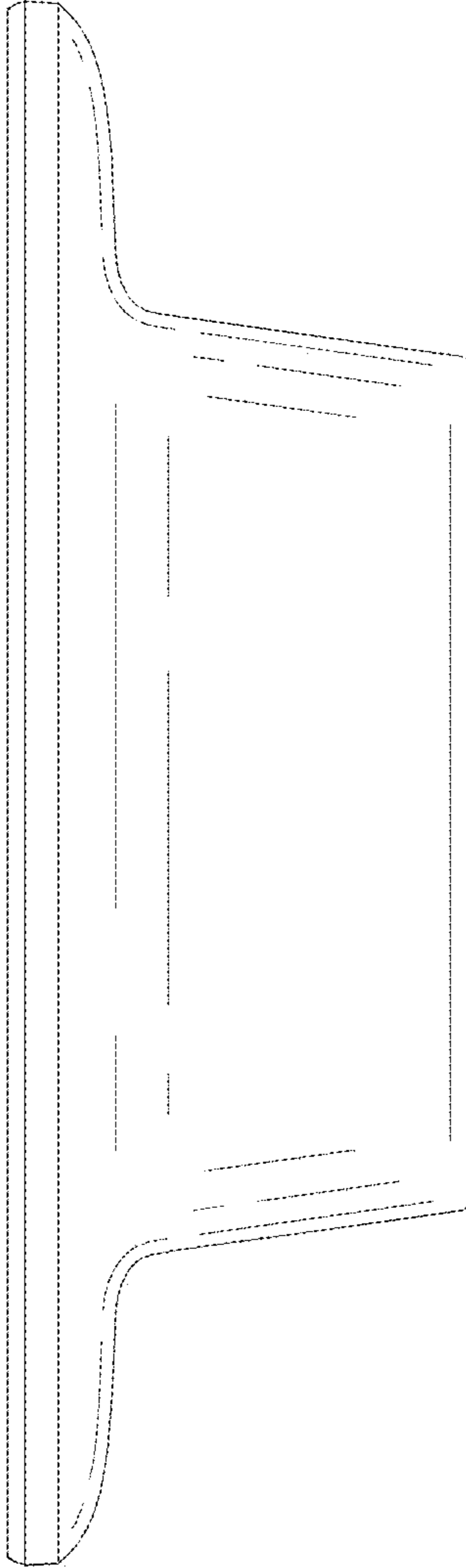


FIG. 8