



US00D945380S

(12) **United States Design Patent** (10) **Patent No.:** **US D945,380 S**
Note (45) **Date of Patent:** **** Mar. 8, 2022**

(54) **SWITCH MOUNT**
(71) Applicant: **Clayton Note**, Eagle Point, OR (US)
(72) Inventor: **Clayton Note**, Eagle Point, OR (US)
(**) Term: **15 Years**
(21) Appl. No.: **29/751,106**
(22) Filed: **Sep. 18, 2020**
(51) **LOC (13) Cl.** **13-03**
(52) **U.S. Cl.**
USPC **D13/158**; D12/400; D8/349
(58) **Field of Classification Search**
USPC D8/72, 331, 349, 353; D10/99, 103;
D12/178, 400, 401, 415; D13/103, 107,
D13/108, 110, 118, 119, 123, 133,
D13/137.1-137.4, 138.1-138.2,
D13/139.1-139.8, 152-154, 158-159,
D13/160-162, 164, 177, 184, 199;
D14/225; D15/4, 5, 9, 17, 31; D23/259,
D23/260
CPC H02H 3/165; H02H 3/006; H02B 1/052;
H01R 9/223; H01H 9/287; H01H 71/0257
See application file for complete search history.

(56) **References Cited**

U.S. PATENT DOCUMENTS

3,233,071 A * 2/1966 Buzzell H01H 3/022
200/330
3,632,927 A * 1/1972 Gribble H01H 71/0264
218/1
D265,986 S * 8/1982 Wearsch D13/152
D366,022 S * 1/1996 Van Hool D12/178
D418,844 S * 1/2000 Occhiuto D15/5
D470,450 S * 2/2003 Olzak D12/400
D517,534 S * 3/2006 Ogura D14/225
D772,943 S * 11/2016 Okamoto D15/5
D792,192 S * 7/2017 Huang D8/331
D809,995 S * 2/2018 Ghannam D12/400

D915,857 S * 4/2021 Brigham D8/72
2006/0070599 A1 * 4/2006 Nonogaki F02M 35/10137
123/195 C
2007/0277724 A1 * 12/2007 Sammons F02F 7/006
116/28 R

OTHER PUBLICATIONS

Twisted, Date not available, [online], [site visited Jan. 5, 2022], Available from internet, URL: https://twistedchoppers.com/shop/key-switch-housing-mount/?attribute_pa_color-finish=black&vsrefdom=adwords&gclid=EAlalQobChMl9cv7i4Ob9QIVBlizCh0dvwfl1EAKYAyABEgKpV_D_BwE (Year: 2021).
Clipsandfasteners, Date available: Aug. 21, 2010, [online], [site visited Jan. 5, 2022], Available from internet, URL: <https://www.amazon.com/Toggle-Switch-Mounting-Panel-Diameter/dp/B0040CWVXS> (Year: 2010).
MicTuning, Date available: Feb. 20, 2015, [online], [site visited Jan. 5, 2022], Available from internet, URL: <https://www.amazon.com/MicTuning-MH001-Housing-Fireproof-Plastic/dp/B00ZWSXZ2K> (Year: 2015).

(Continued)

Primary Examiner — Shawn T Gingrich
Assistant Examiner — Bryan Nolan Melvin
(74) *Attorney, Agent, or Firm* — Jerry Haynes Law

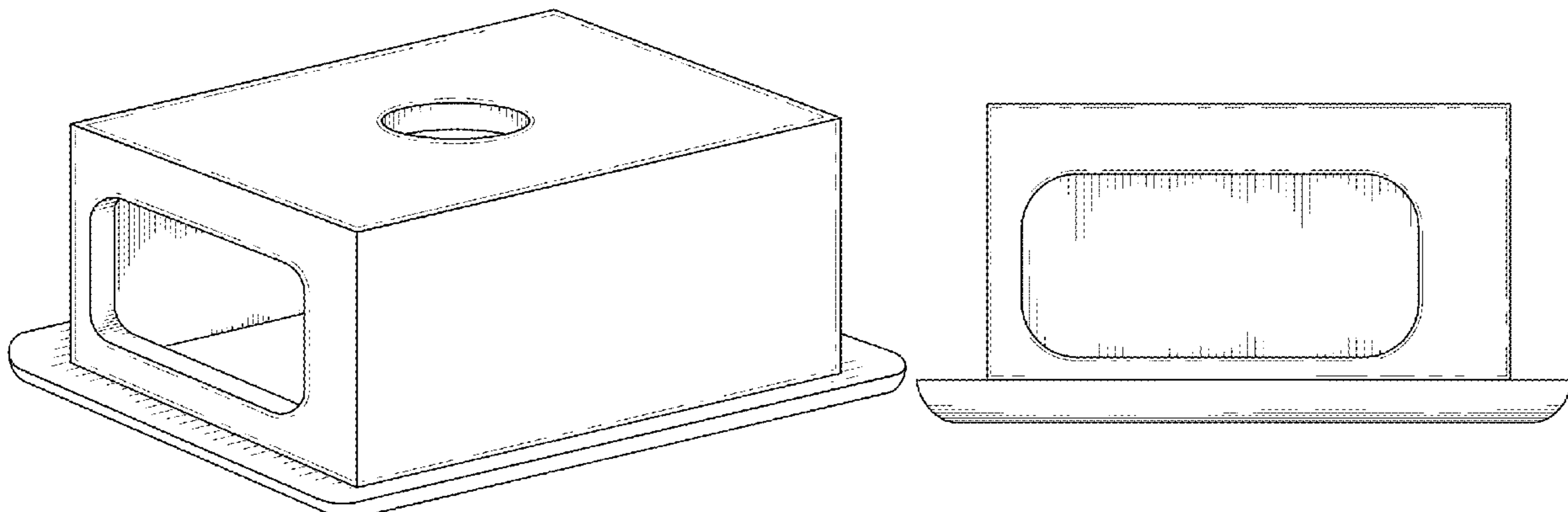
(57) **CLAIM**

The ornamental design for a switch mount, as shown and described.

DESCRIPTION

FIG. 1 is a front perspective view of a switch mount showing the new design;
FIG. 2 is a front view thereof;
FIG. 3 is a rear view thereof;
FIG. 4 is a left side view thereof;
FIG. 5 is a right side view thereof;
FIG. 6 is a bottom thereof; and,
FIG. 7 is a top view thereof.

1 Claim, 3 Drawing Sheets



(56)

References Cited

OTHER PUBLICATIONS

Pro-One, Date not available, [online], [site visited Jan. 5, 2022], Available from internet, URL: <https://www.getlowered.com/pro-one-black-ignition-switch-cover-for-2007-2013-harley-touring-ball-milled/> (Year: 2021).*

* cited by examiner

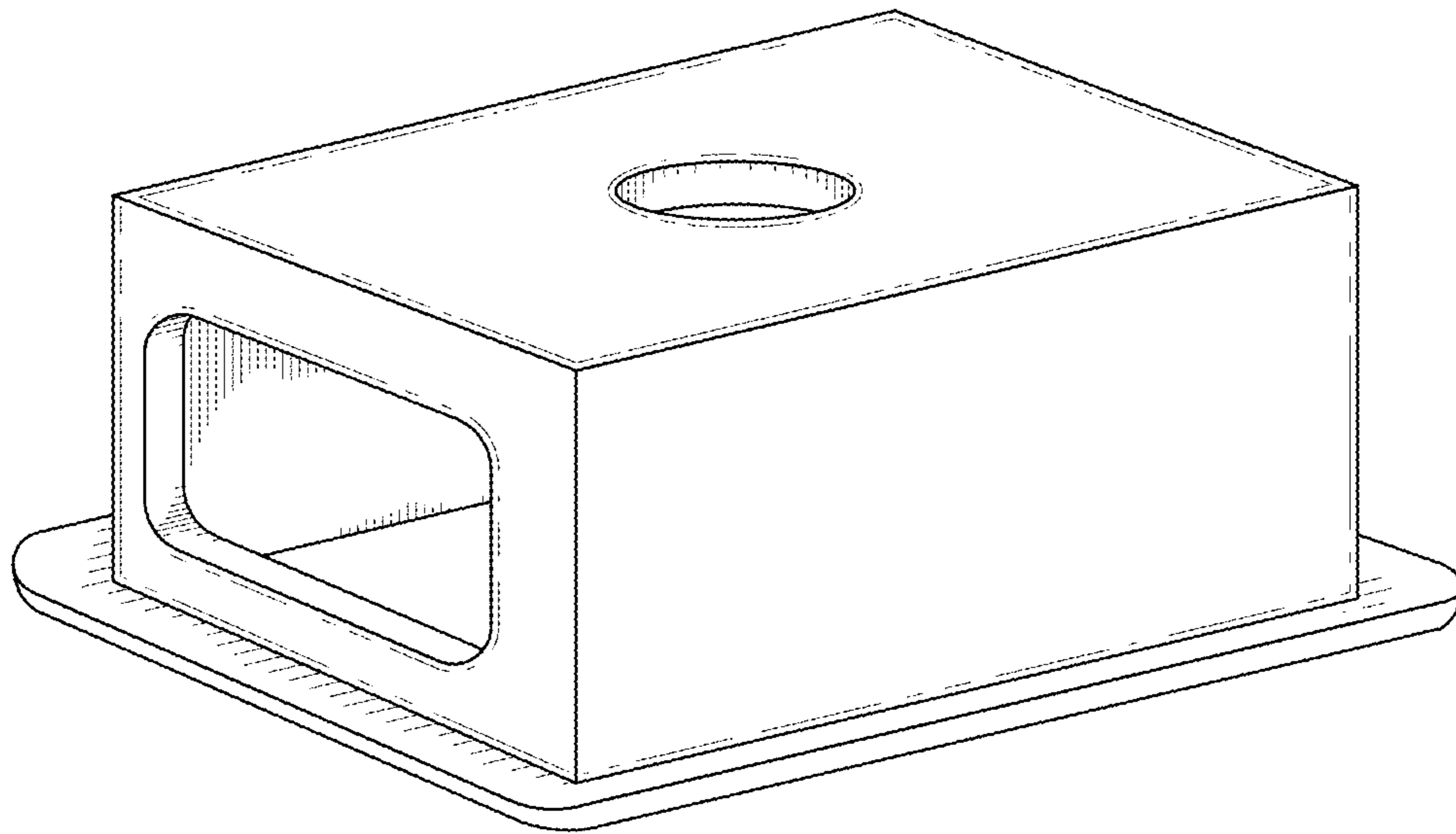


FIG. 1

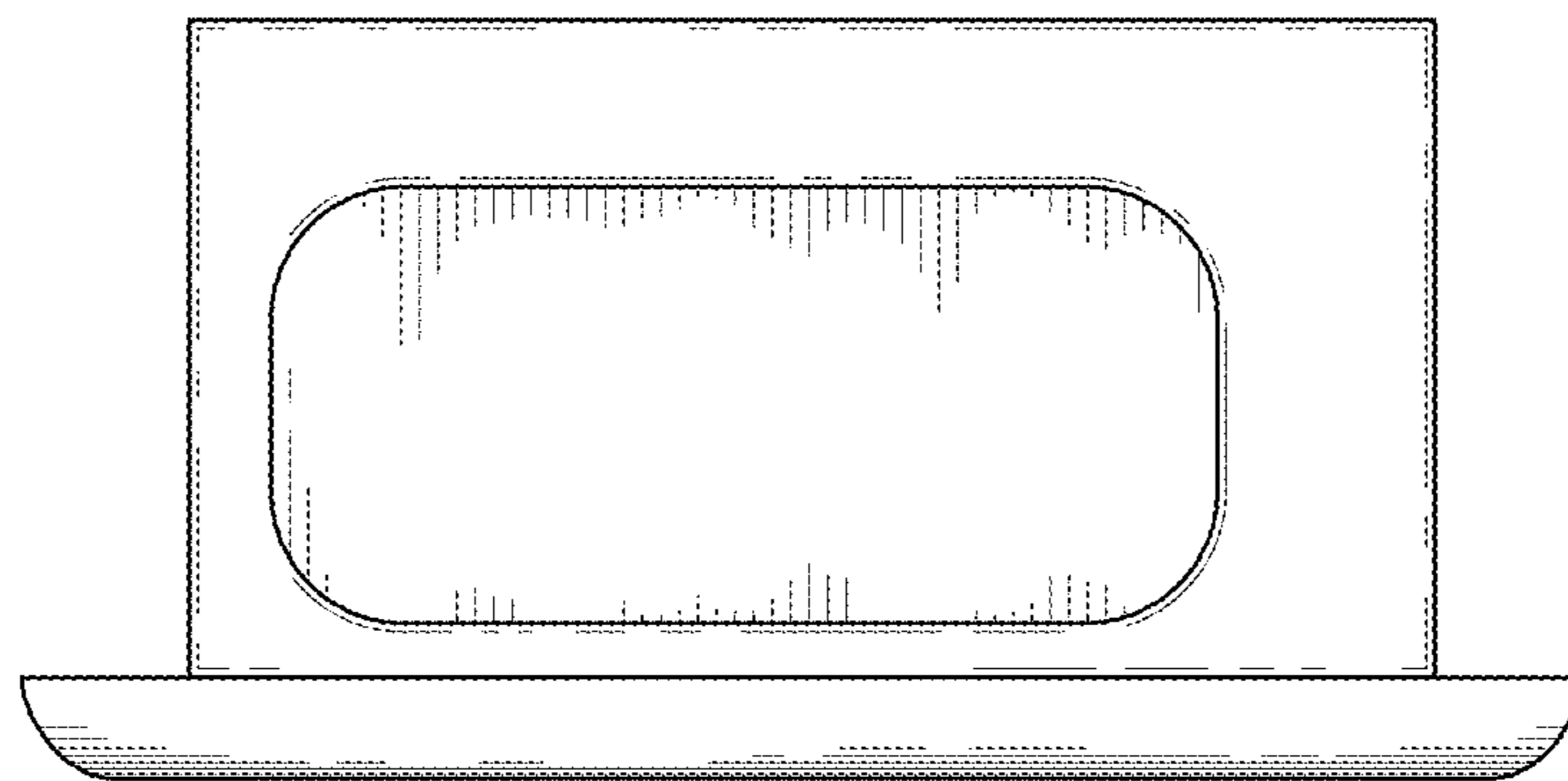


FIG. 2

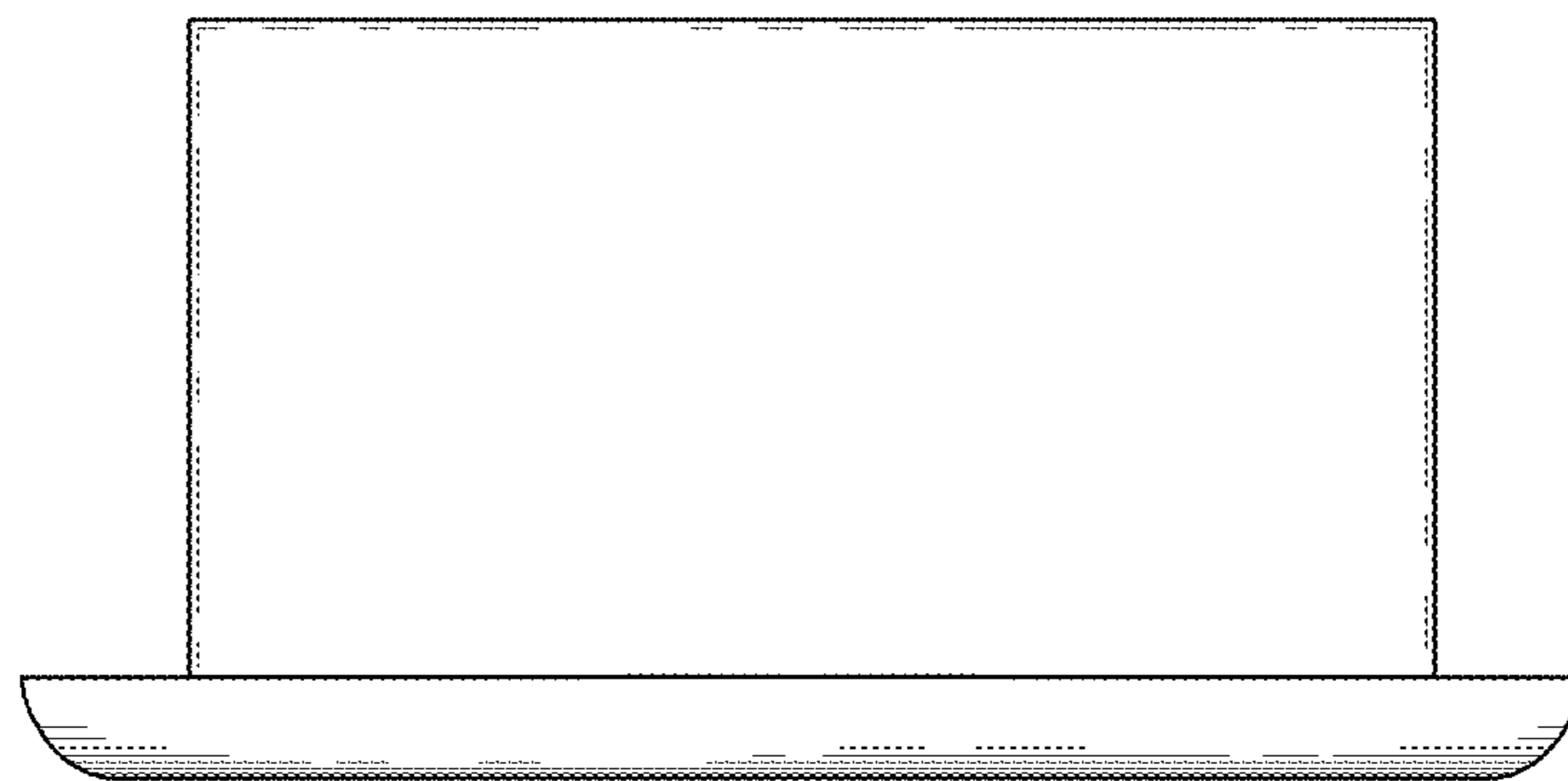


FIG. 3

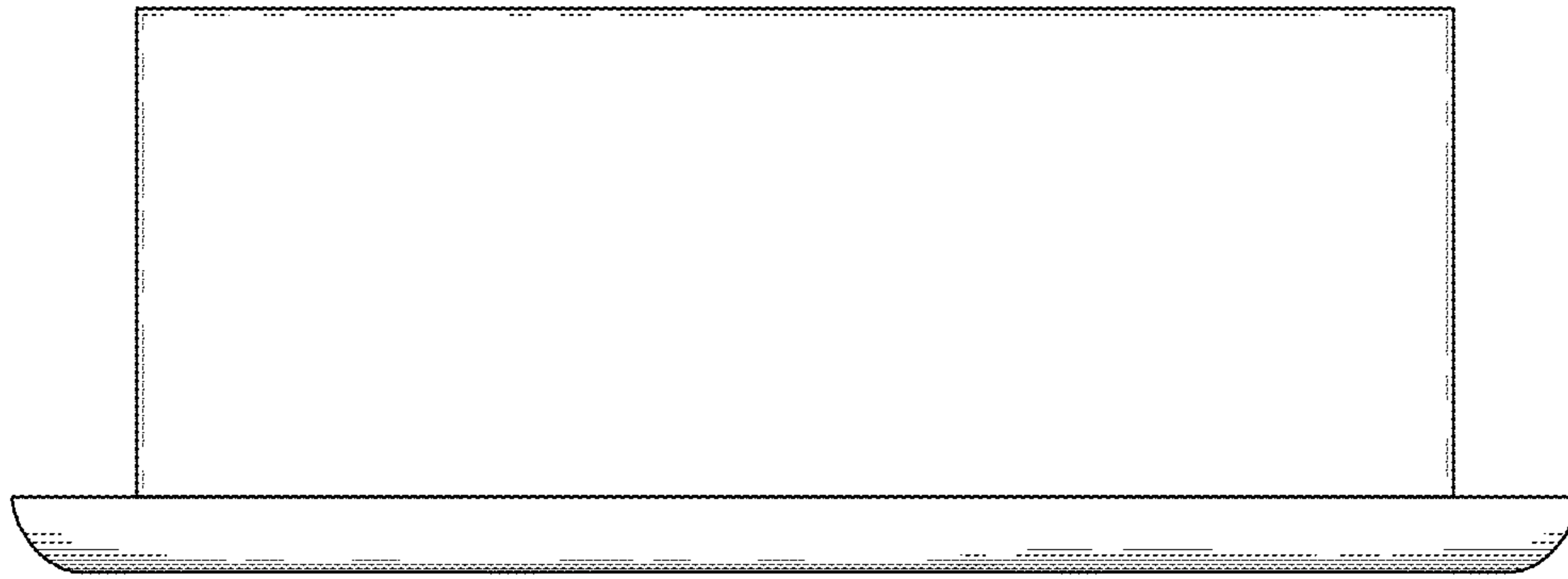


FIG. 4

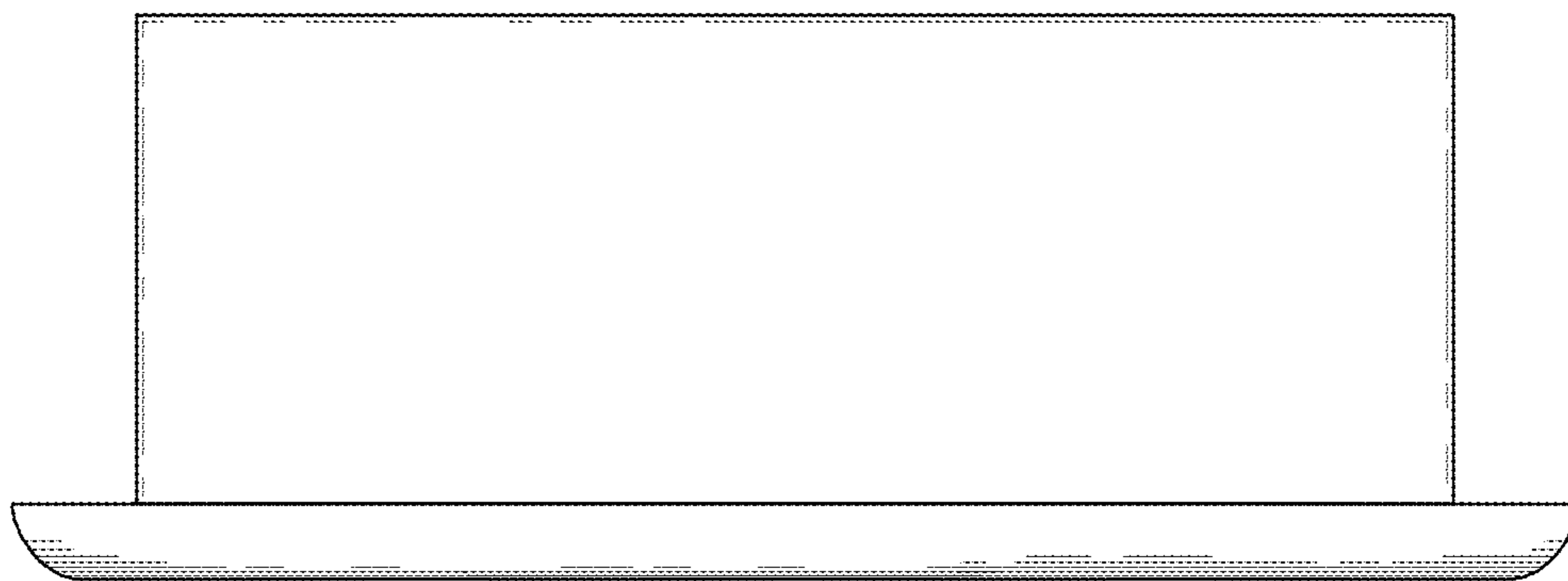


FIG. 5

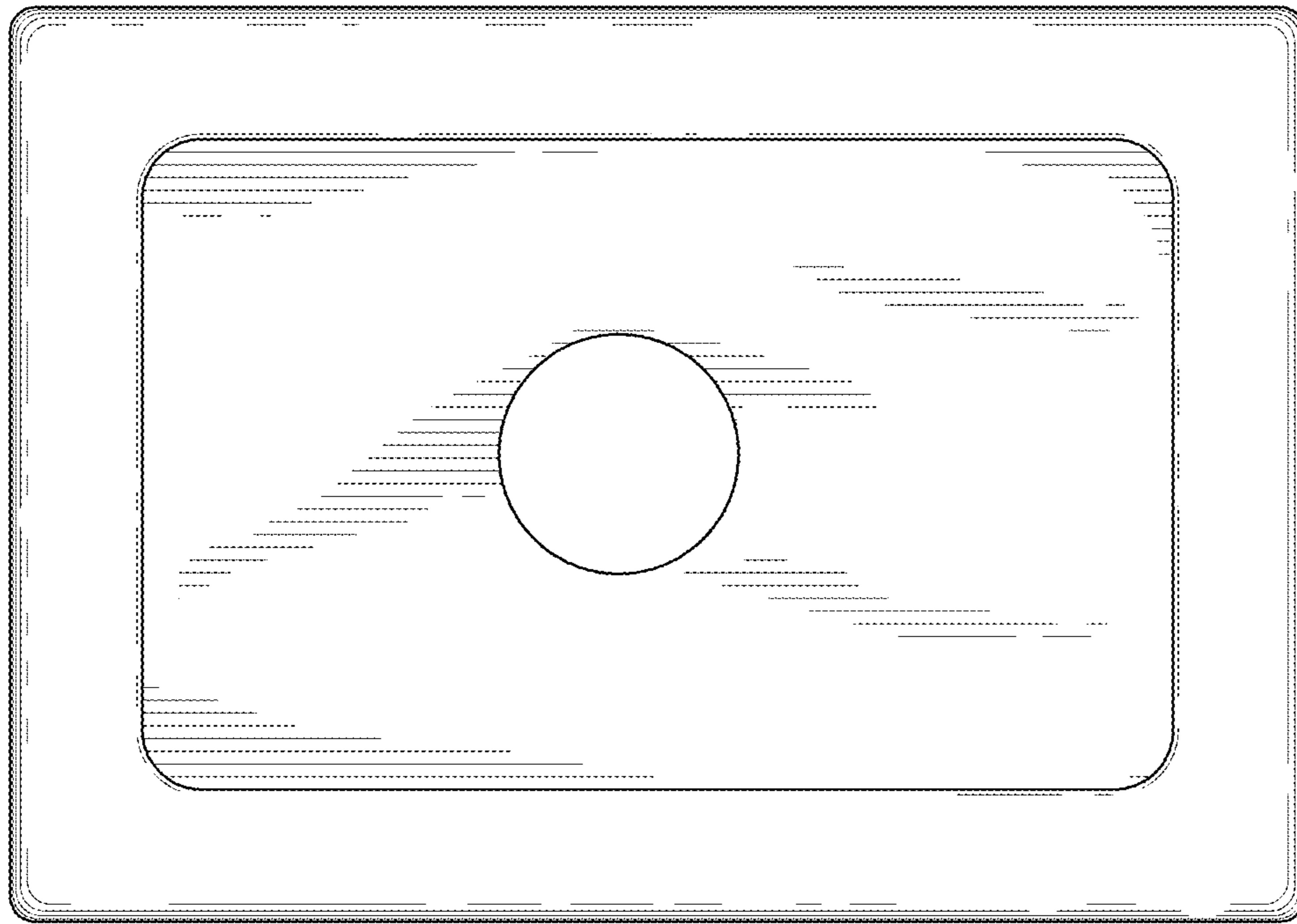


FIG. 6

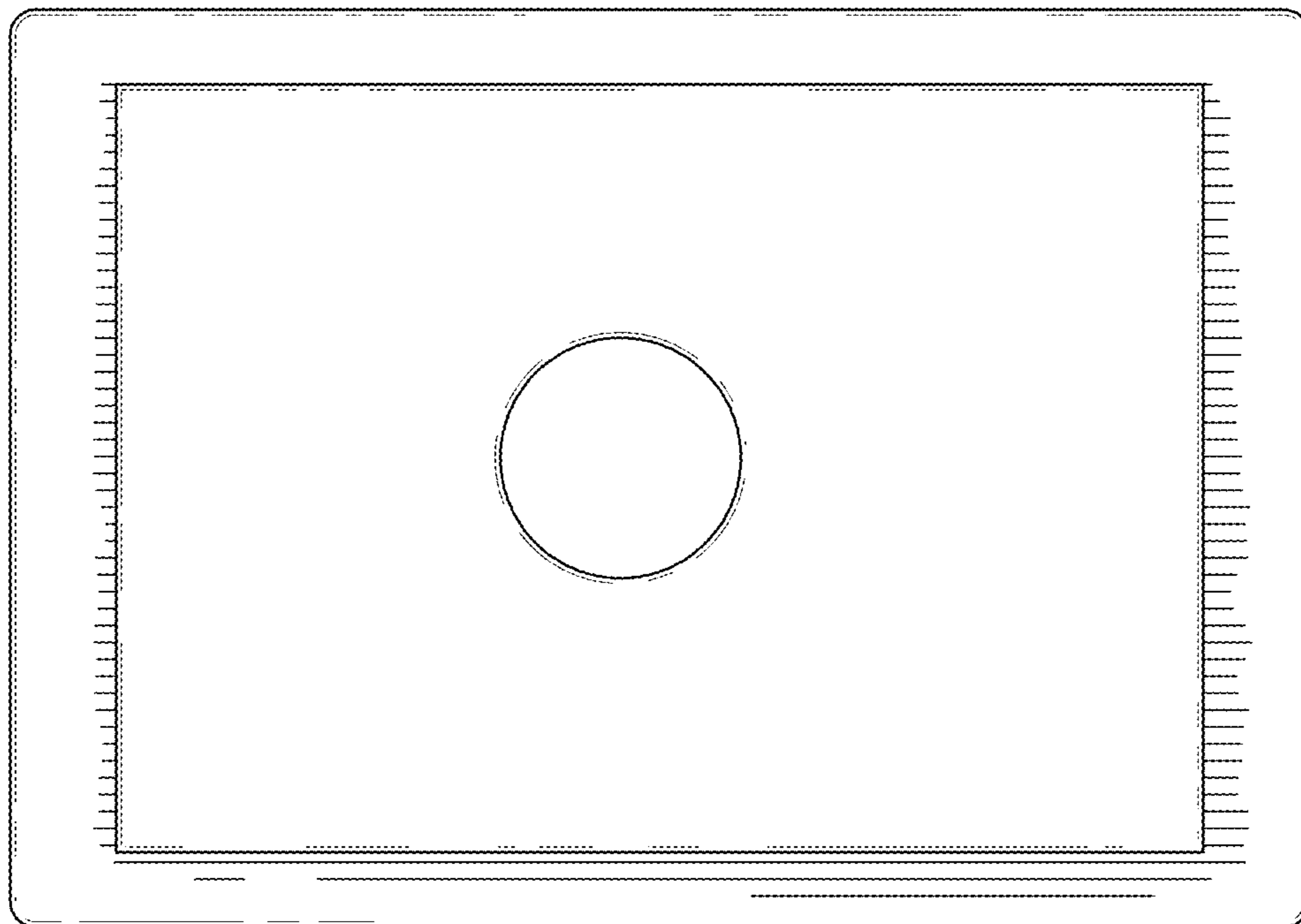


FIG. 7