



US00D945379S

(12) **United States Design Patent**
Allender-Zivic

(10) **Patent No.:** **US D945,379 S**
(45) **Date of Patent:** **** Mar. 8, 2022**

(54) **CABLE MANAGEMENT DEVICE**

(71) Applicant: **Cable Munkey, LLC**, Vermillion, SD (US)

(72) Inventor: **Jonathan Allender-Zivic**, Vermillion, SD (US)

(**) Term: **15 Years**

(21) Appl. No.: **29/697,493**

(22) Filed: **Jul. 9, 2019**

(51) **LOC (13) Cl.** **13-03**

(52) **U.S. Cl.**
USPC **D13/155**

(58) **Field of Classification Search**
USPC D13/123, 133, 139.1, 139.2, 139.4, 152, D13/154, 155, 156, 158, 184; D8/354
See application file for complete search history.

(56) **References Cited**

U.S. PATENT DOCUMENTS

D482,269 S *	11/2003	Martello	D8/356
D593,500 S *	6/2009	Sweeney	D13/155
D631,332 S *	1/2011	Bauer	D8/367
D723,363 S *	3/2015	Symons	D8/396
D755,043 S *	5/2016	Bailey	D8/394
D763,063 S *	8/2016	Welch	D8/356
D769,198 S *	10/2016	Sajedian	D13/155
D803,164 S *	11/2017	Noble	D13/155
D803,165 S *	11/2017	Noble	D13/155

* cited by examiner

Primary Examiner — Jennifer O King
(74) *Attorney, Agent, or Firm* — Dentons Davis Brown; Matthew Warner-Blankenship

(57) **CLAIM**

The ornamental design for a cable management device, as shown and described.

DESCRIPTION

FIG. 1 is a front perspective view of the cable management device, according to a first embodiment.

FIG. 2 is front view of the cable management device, according to a first embodiment.

FIG. 3 is rear view of the cable management device, according to a first embodiment.

FIG. 4 is a top view of the cable management device, according to a first embodiment.

FIG. 5 is a bottom view of the cable management device, according to a first embodiment.

FIG. 6 is a right side view of the cable management device, according to a first embodiment.

FIG. 7 is a left side view of the cable management device, according to a first embodiment.

FIG. 8 is a front perspective view of the cable management device, according to a second embodiment.

FIG. 9 is a front view of the cable management device, according to a second embodiment.

FIG. 10 is a rear view of the cable management device, according to a second embodiment.

FIG. 11 is a top view of the cable management device, according to a second embodiment.

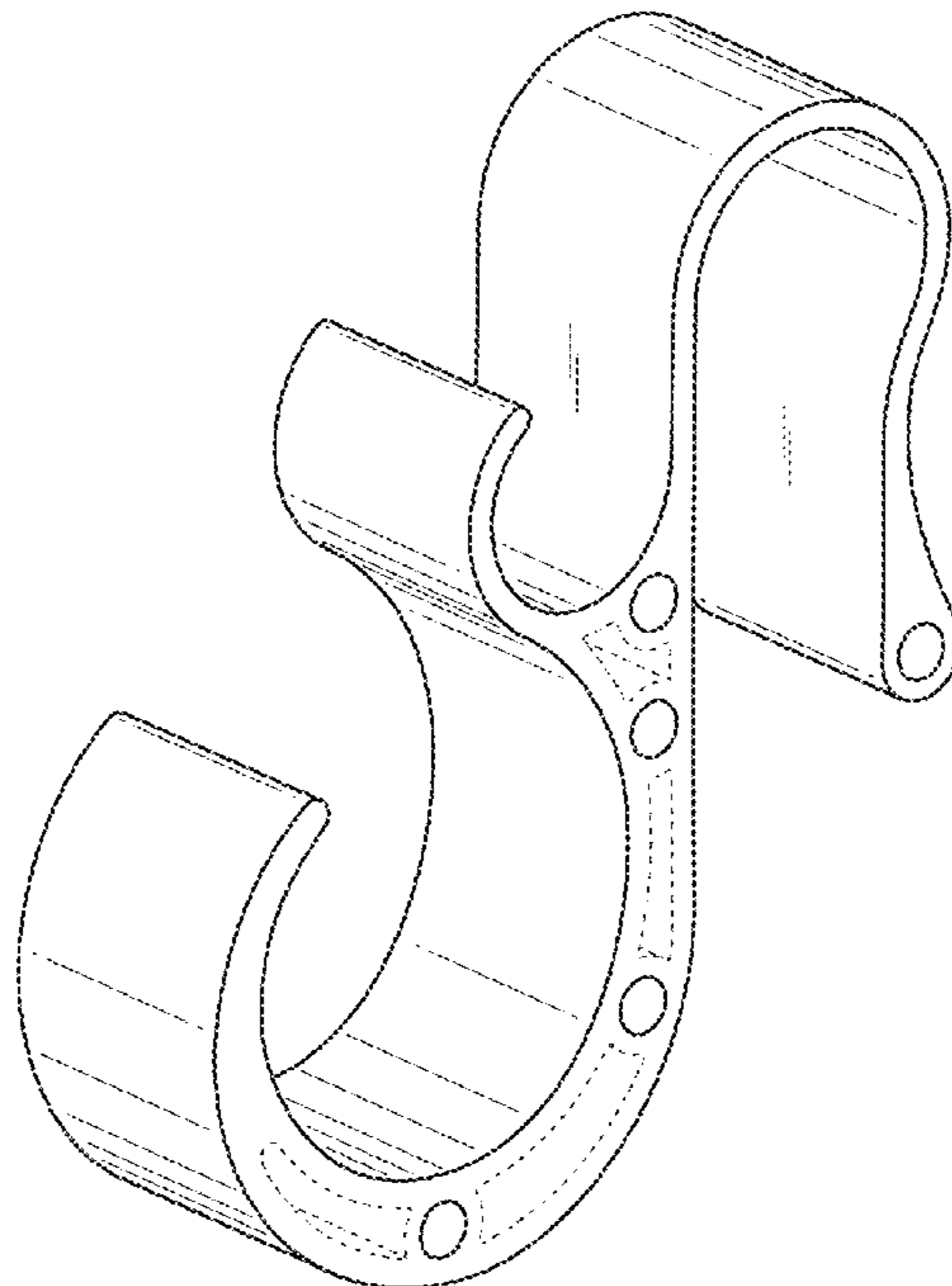
FIG. 12 is a bottom view of the cable management device, according to a second embodiment.

FIG. 13 is a right side view of the cable management device, according to a second embodiment; and,

FIG. 14 is a left side view of the cable management device, according to a second embodiment.

The broken lines in the drawing views represent portions of the cable management device that form no part of the claimed design.

1 Claim, 14 Drawing Sheets



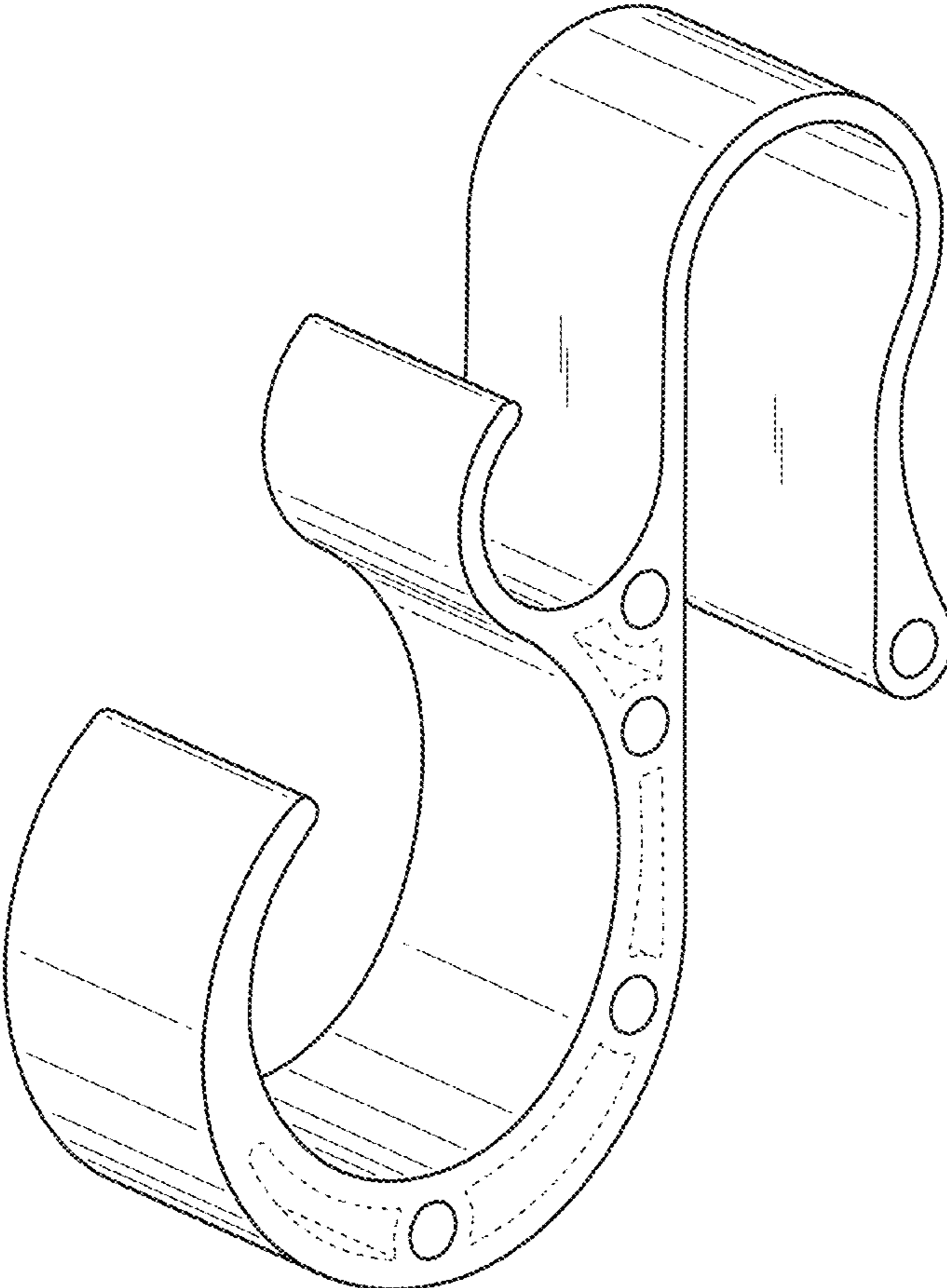


FIG. 1

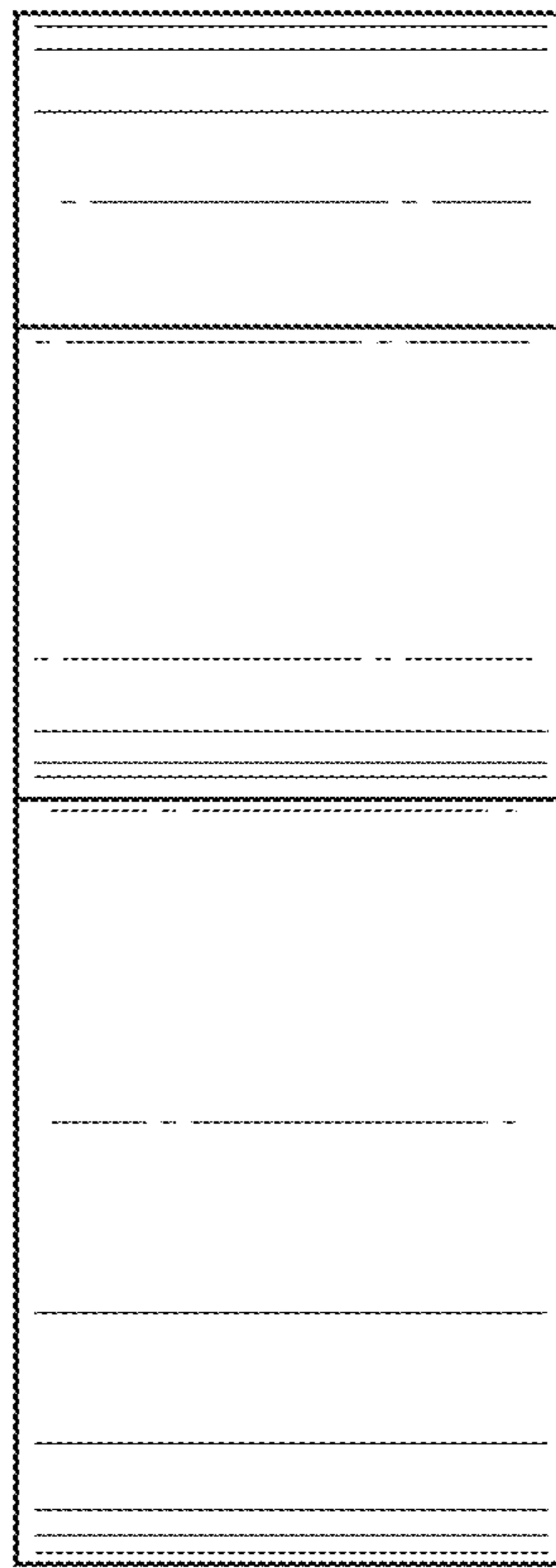


FIG. 2

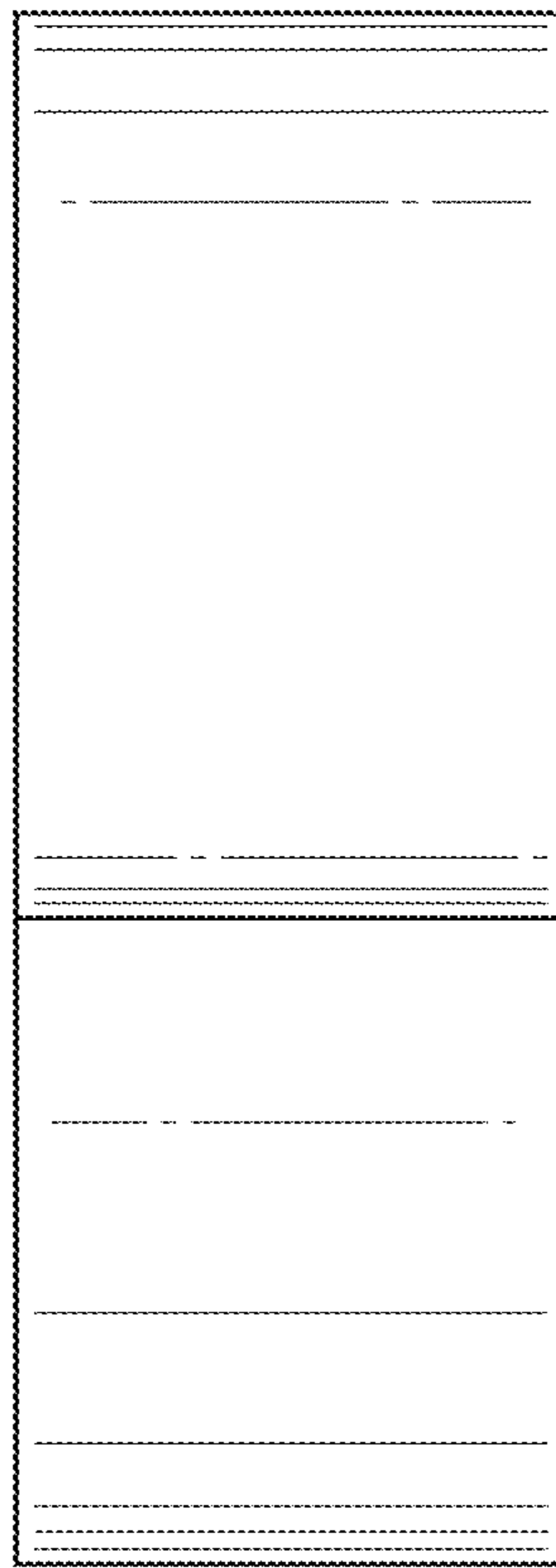


FIG. 3

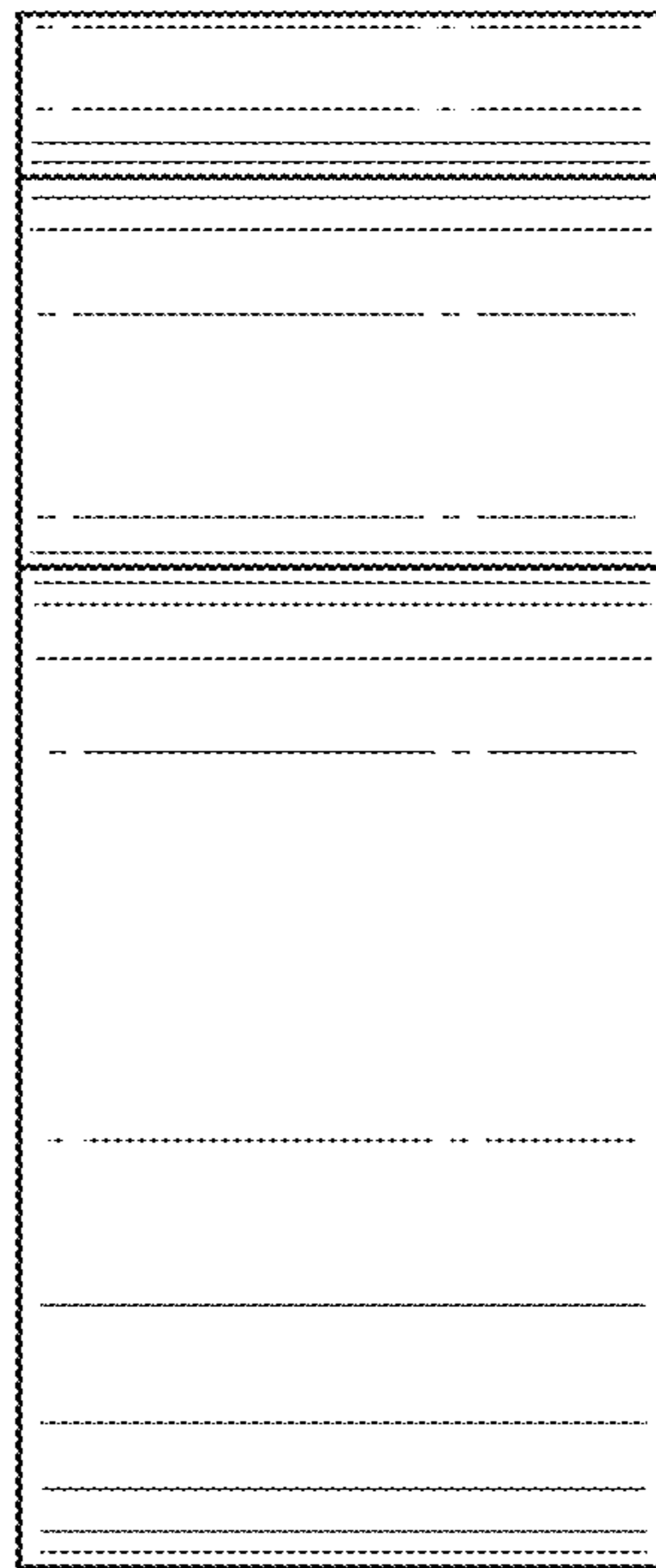


FIG. 5

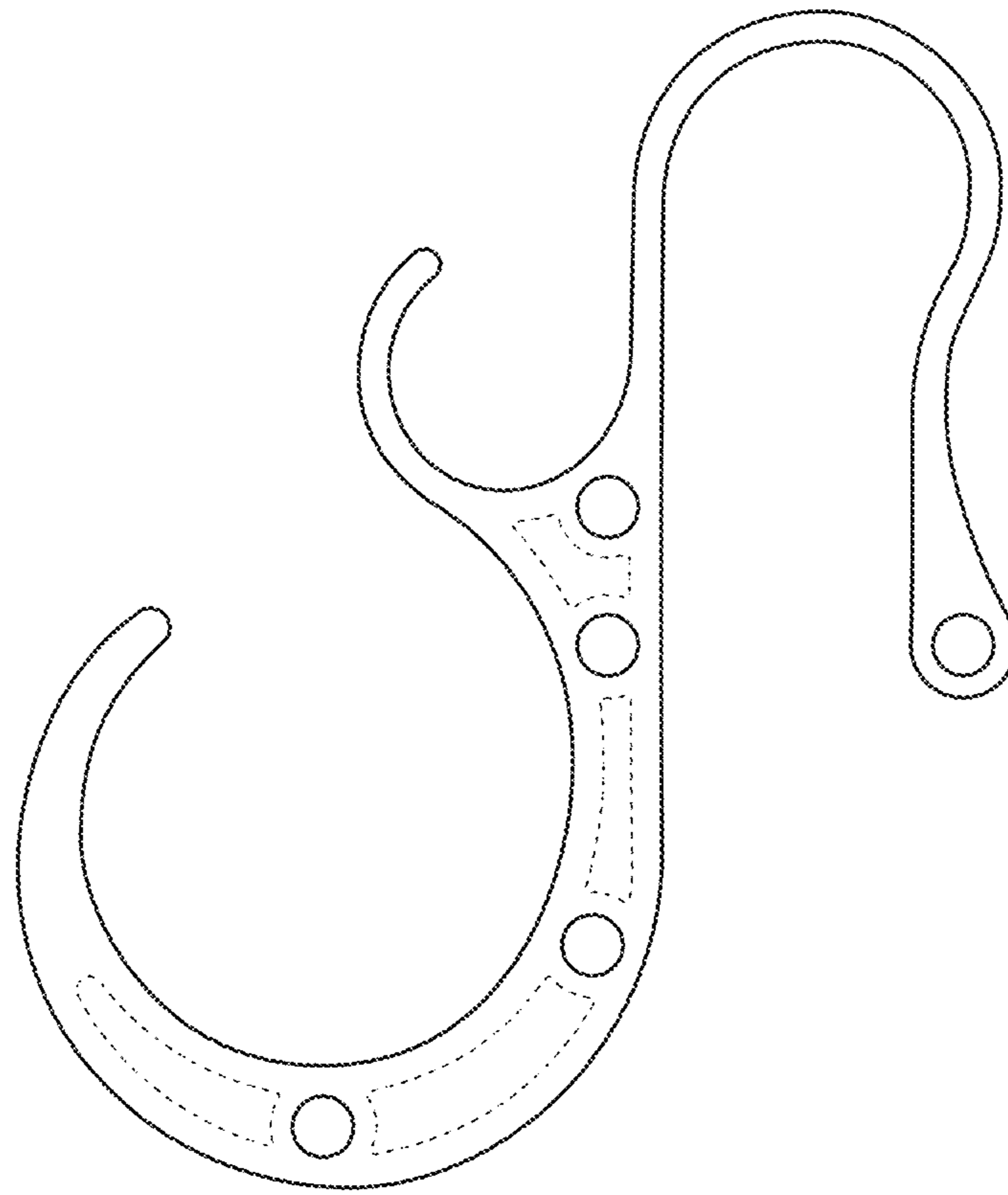


FIG. 6

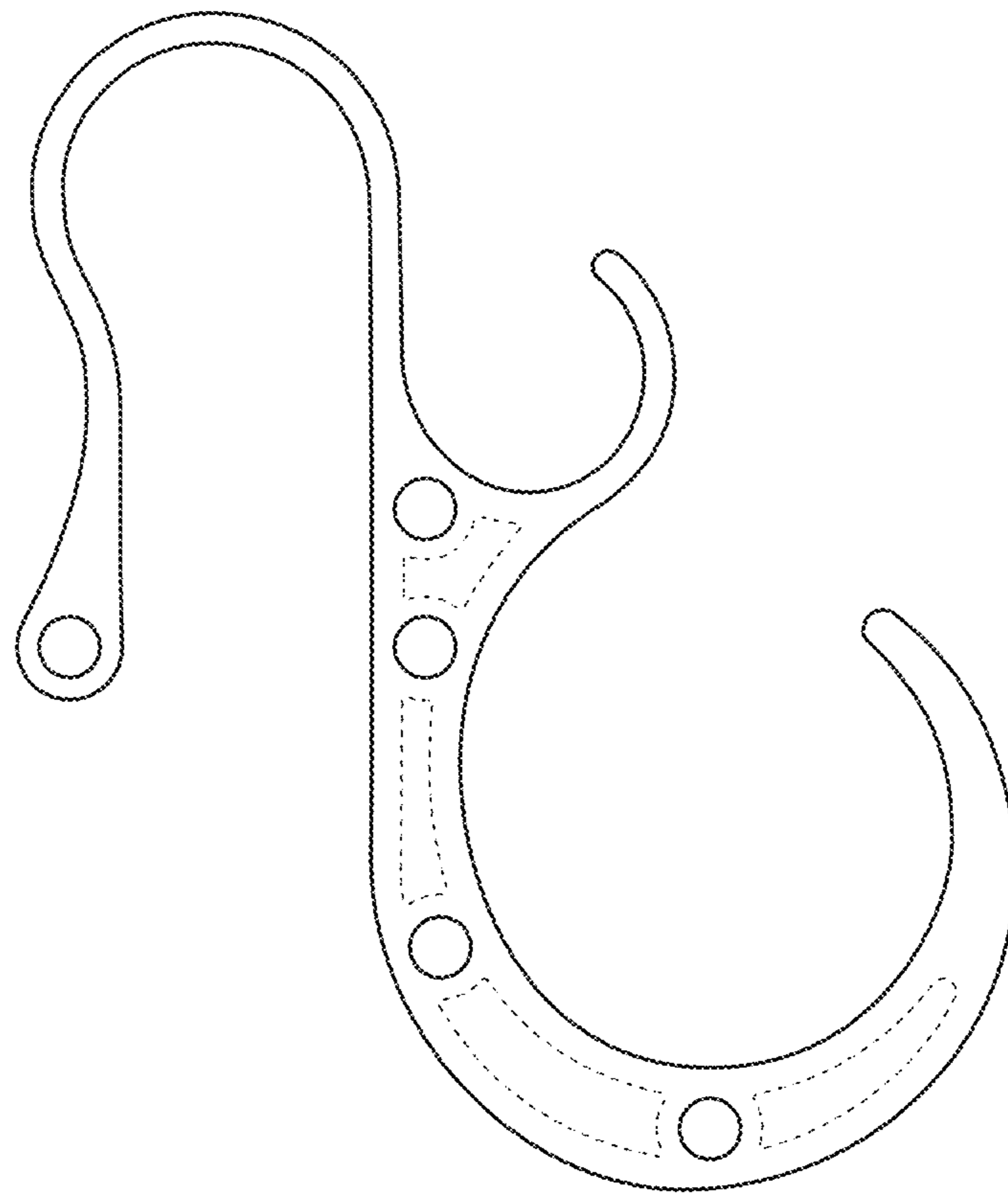


FIG. 7

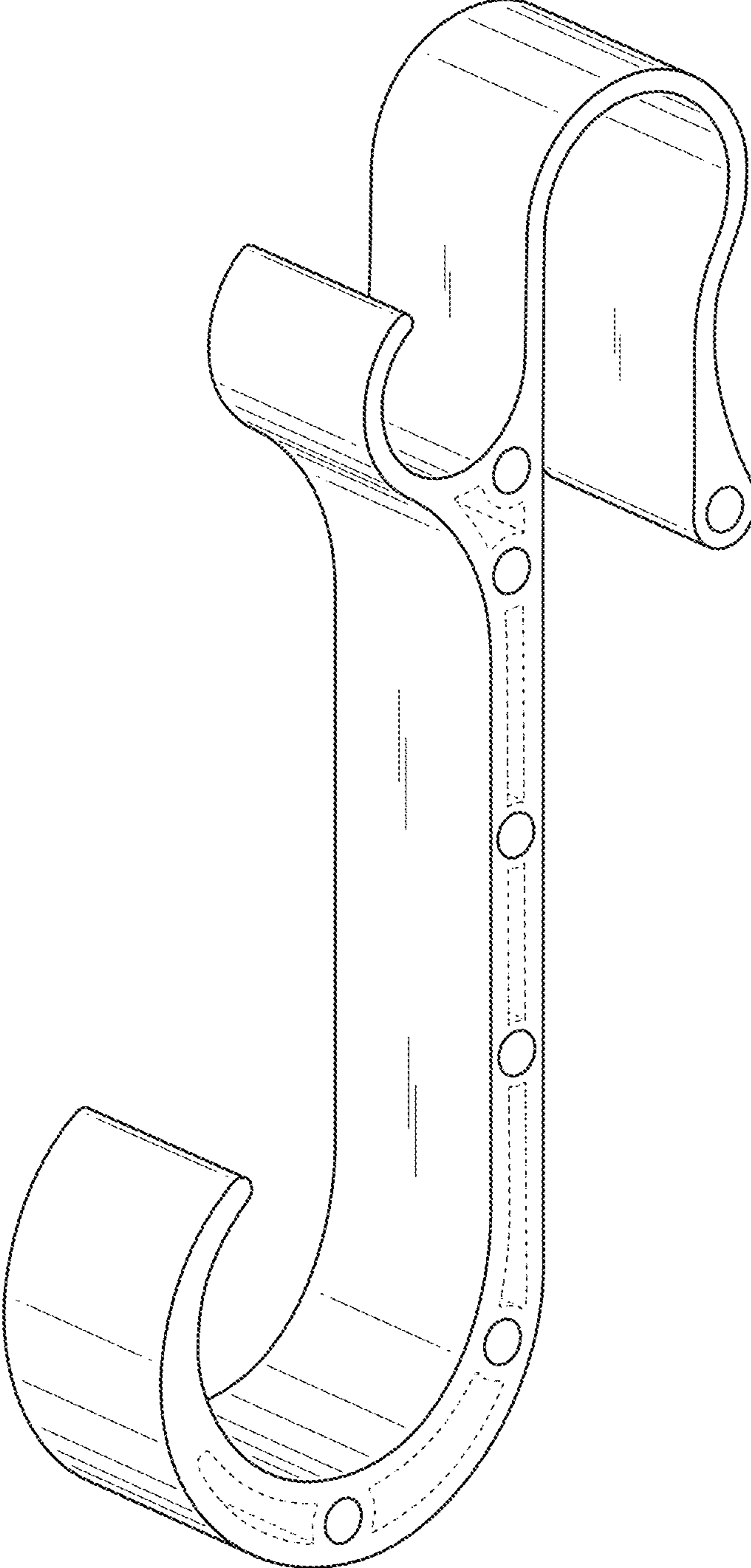


FIG. 8

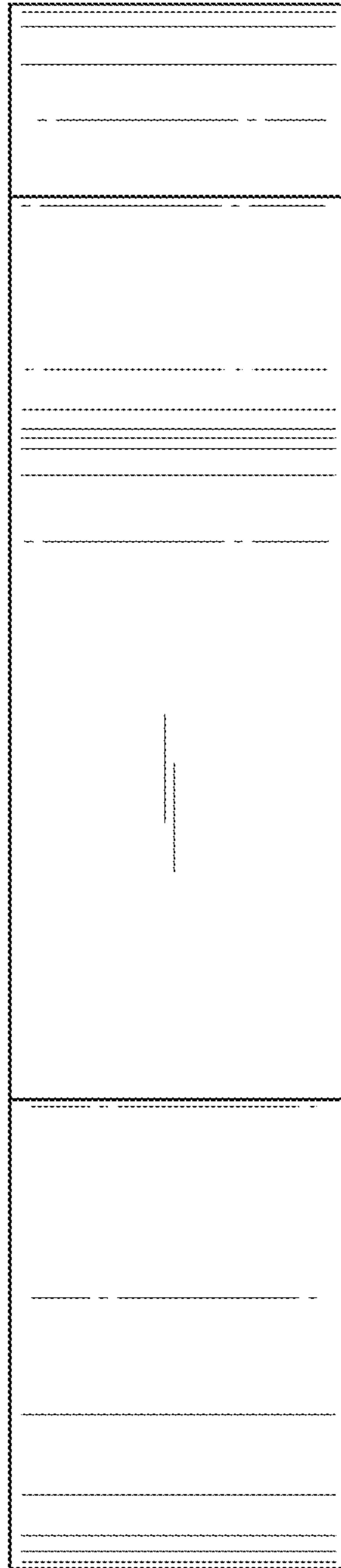


FIG. 9

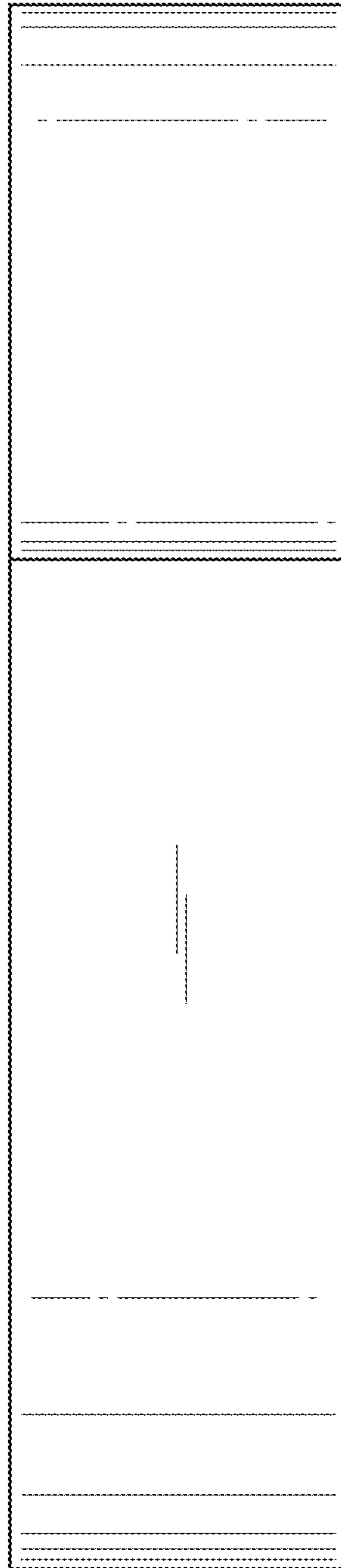


FIG. 10

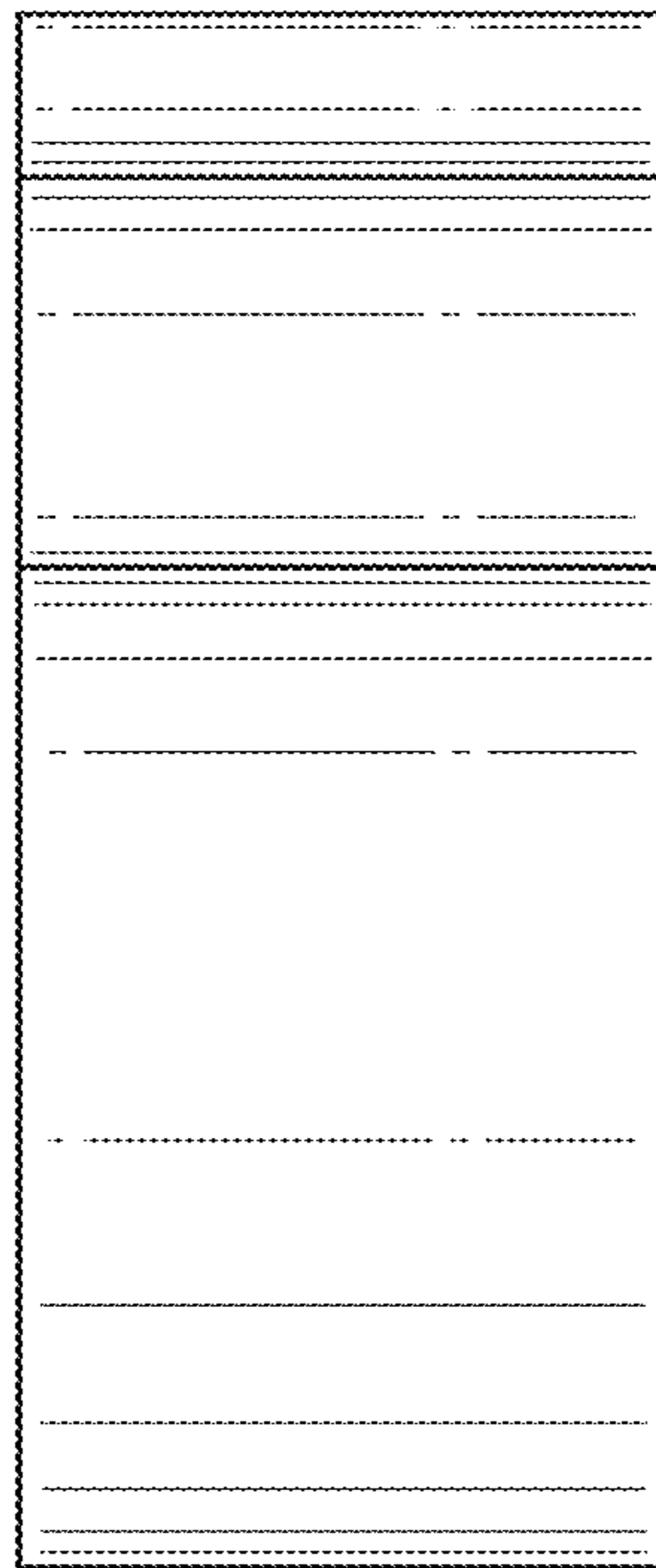


FIG. 12

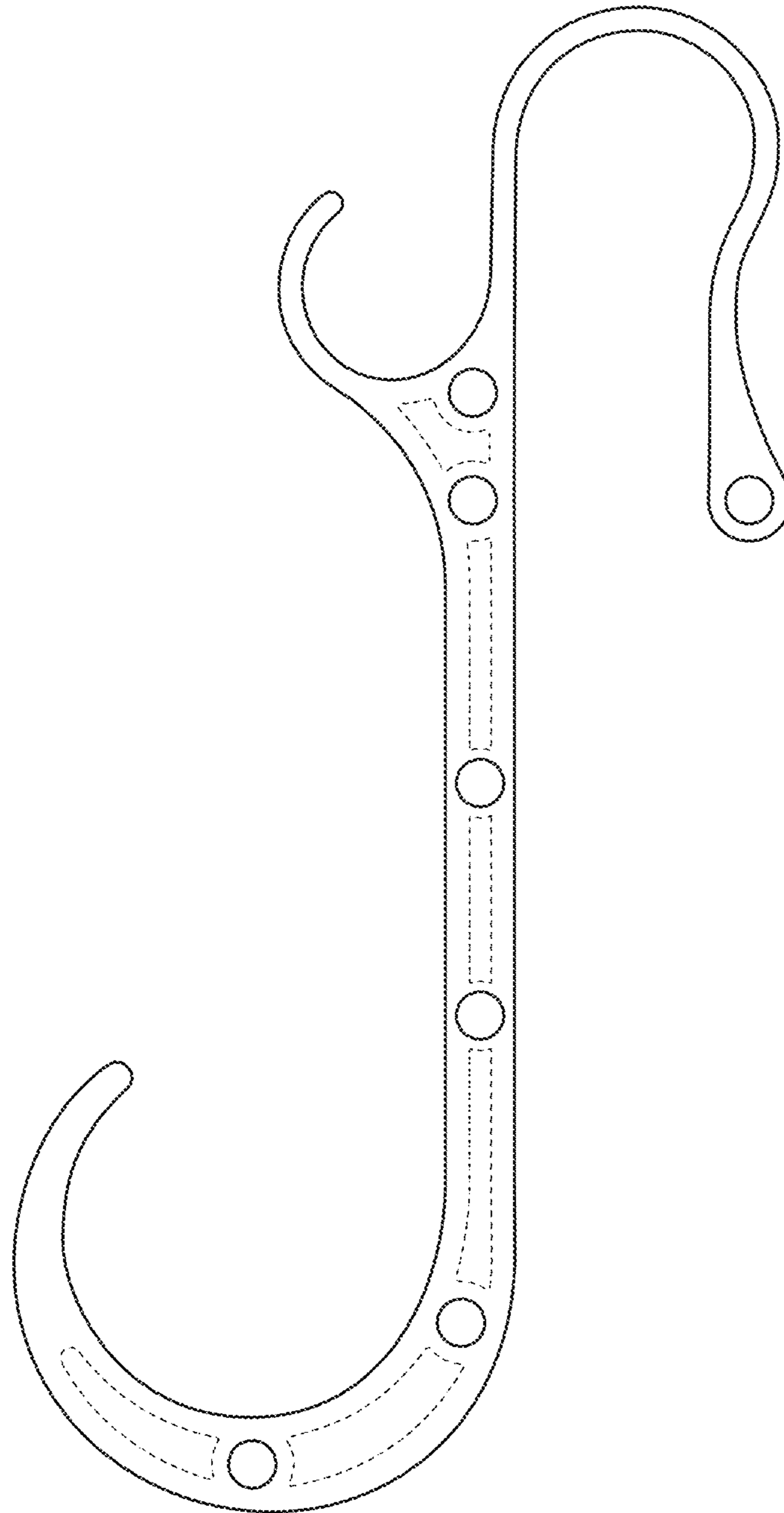


FIG. 13

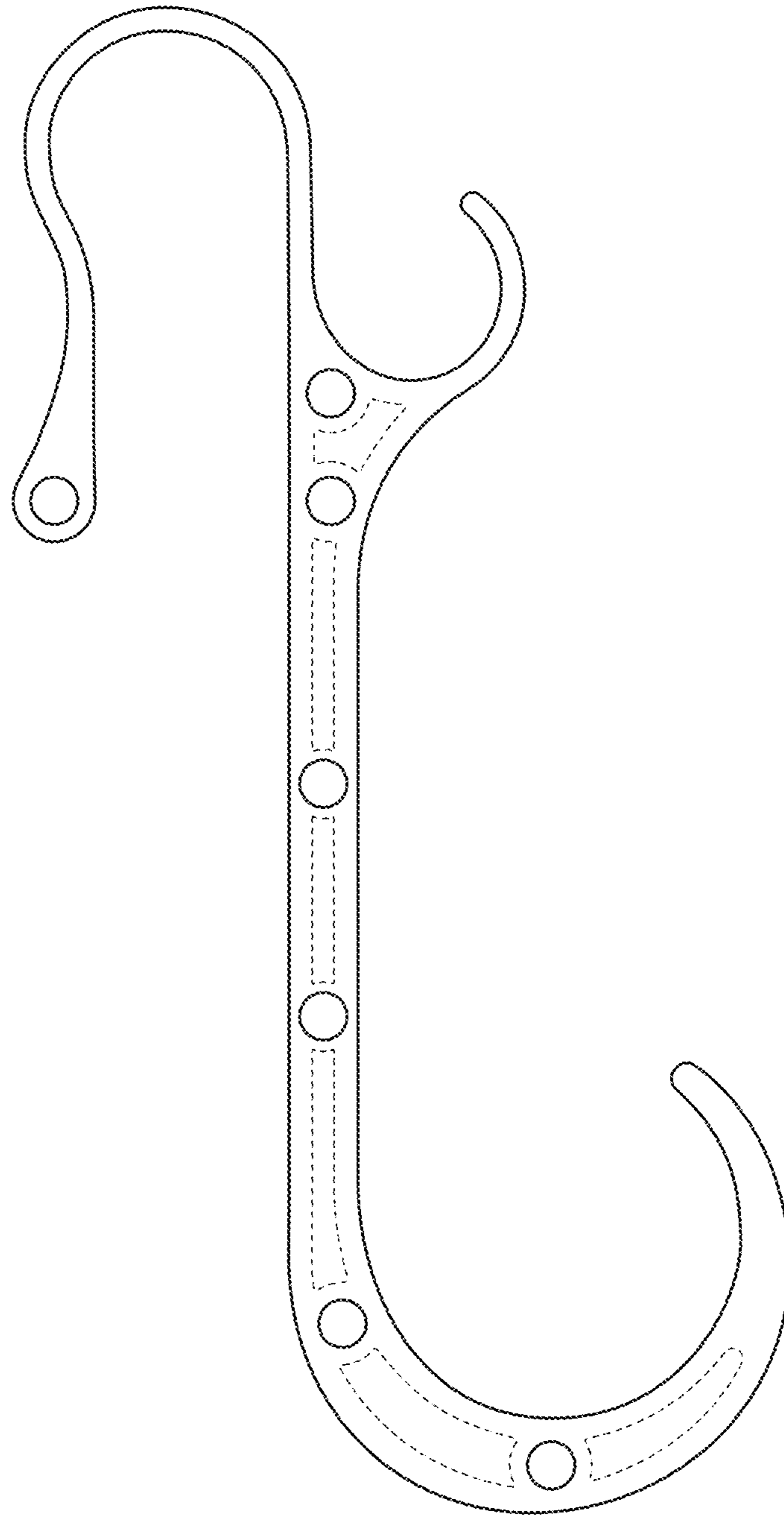


FIG. 14