



US00D945378S

(12) **United States Design Patent**
Jung et al.

(10) **Patent No.:** **US D945,378 S**
(45) **Date of Patent:** **** Mar. 8, 2022**

(54) **PART OF CONNECTOR**

(71) Applicant: **GigaLane Co., Ltd.**, Hwaseong-si (KR)

(72) Inventors: **Kyung Hun Jung**, Hwaseong-si (KR);
Hwa Yoon Song, Hwaseong-si (KR);
Young Jo Kim, Hwaseong-si (KR); **Yu Jin Lee**, Hwaseong-si (KR); **Jae Jun Lee**, Hwaseong-si (KR); **Sang Min Seo**, Hwaseong-si (KR); **Hee seok Jung**, Hwaseong-si (KR)

(73) Assignee: **GIGALANE CO., LTD.**, Hwaseong-si (KR)

(**) Term: **15 Years**

(21) Appl. No.: **29/731,918**

(22) Filed: **Apr. 20, 2020**

(30) **Foreign Application Priority Data**

Dec. 27, 2019 (KR) 30-2019-0063428

(51) **LOC (13) Cl.** **13-03**

(52) **U.S. Cl.**
USPC **D13/154; D13/133**

(58) **Field of Classification Search**
USPC D3/10; D13/120, 146, 149, 151, 154,
D13/155, 156; D14/238.1; D16/242
CPC H01R 2103/00; H01R 24/38; H01R 24/40;
H01R 9/05; H01R 13/052; H01R 13/187;
H01R 13/6592; H01R 13/6275; H01R
13/6277; H01R 43/00; H02G 3/0481;
B25B 23/143; F16B 1/00

See application file for complete search history.

(56) **References Cited**

U.S. PATENT DOCUMENTS

4,928,380 A * 5/1990 Hatfield H01R 43/01
29/566.3
D814,173 S * 4/2018 Ma D3/10

D848,370 S * 5/2019 Lee D13/133
D913,945 S * 3/2021 Jung D13/133
D914,606 S * 3/2021 Jung D13/133
D915,286 S * 4/2021 Jung D13/133
D926,693 S * 8/2021 Jung D13/133
D926,694 S * 8/2021 Jung D13/133
D926,695 S * 8/2021 Jung D13/133
D926,696 S * 8/2021 Jung D13/133
2011/0162492 A1 * 7/2011 Wilson B25B 13/06
81/475
2012/0210546 A1 * 8/2012 Jang A63H 33/101
24/615
2016/0226196 A1 * 8/2016 Tuenker H01R 13/187

OTHER PUBLICATIONS

Lokman, Date: Apr. 8, 2017, [online], [site visited Oct. 28, 2021]. Available from internet, URL: <https://www.amazon.com/Lokman-Plastic-Waterproof-Adjustable-Connectors/dp/B06Y5HGYK2> (Year: 2017).*

* cited by examiner

Primary Examiner — Shawn T Gingrich

Assistant Examiner — Bryan Nolan Melvin

(74) *Attorney, Agent, or Firm* — Brundidge & Stanger, P.C.

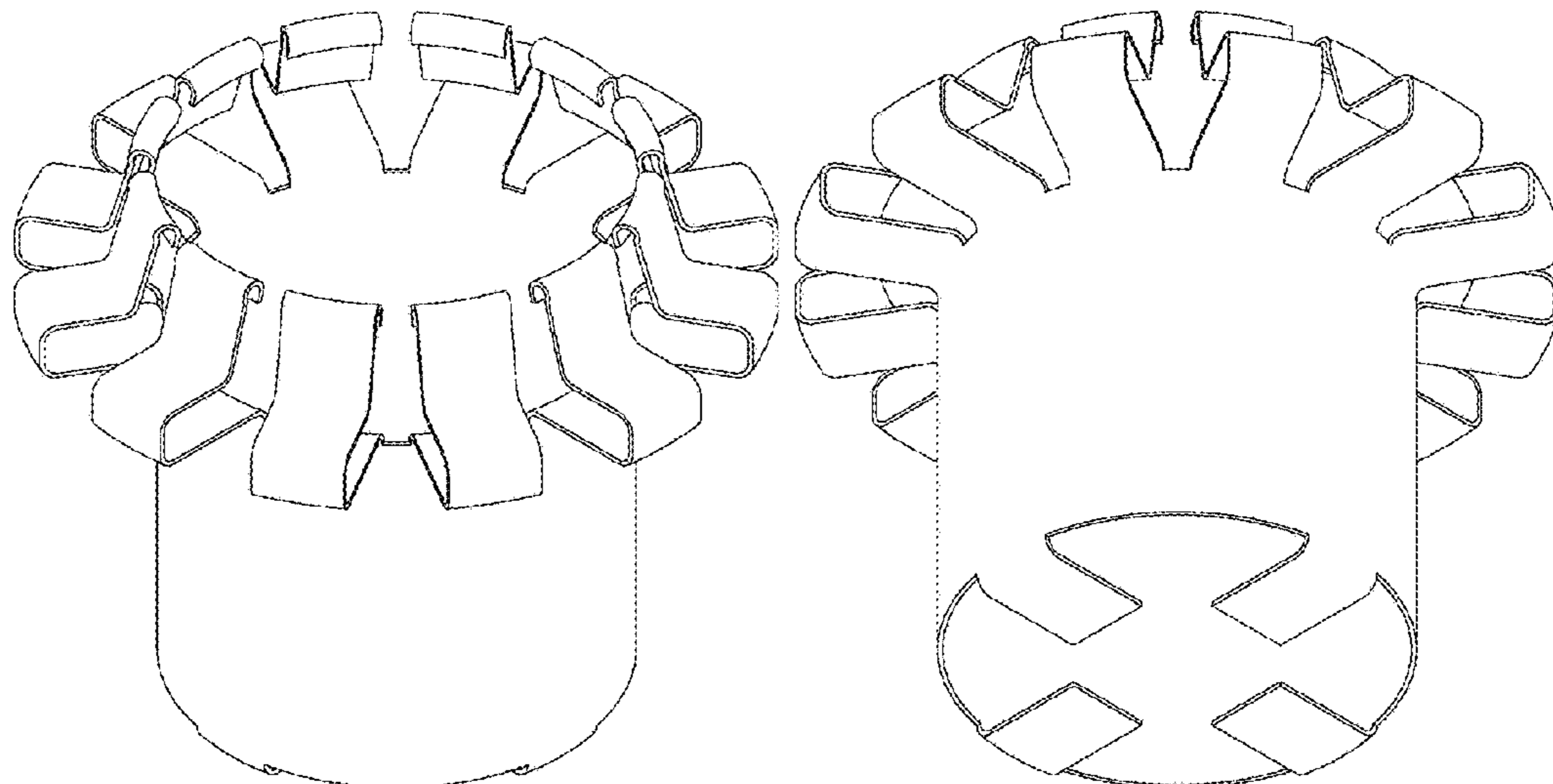
(57) **CLAIM**

The ornamental design for a part of connector, as shown and described.

DESCRIPTION

FIG. 1 is a perspective view of a part of connector showing our new design;
FIG. 2 is a front view thereof;
FIG. 3 is a rear view thereof;
FIG. 4 is a left side view thereof;
FIG. 5 is a right side view thereof;
FIG. 6 is a top view thereof;
FIG. 7 is a bottom view thereof; and,
FIG. 8 is a bottom perspective view thereof.

1 Claim, 8 Drawing Sheets



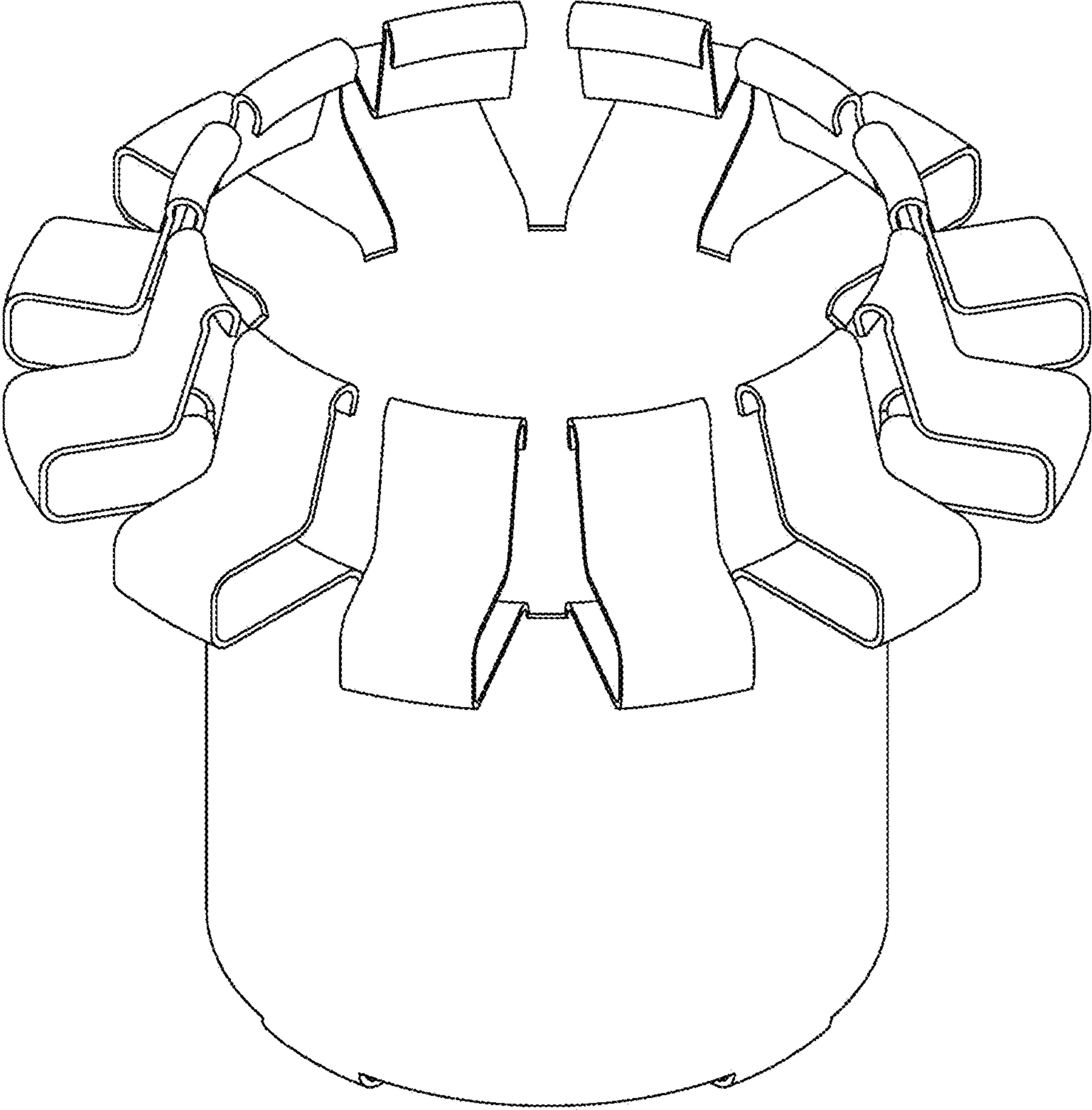


FIG. 1

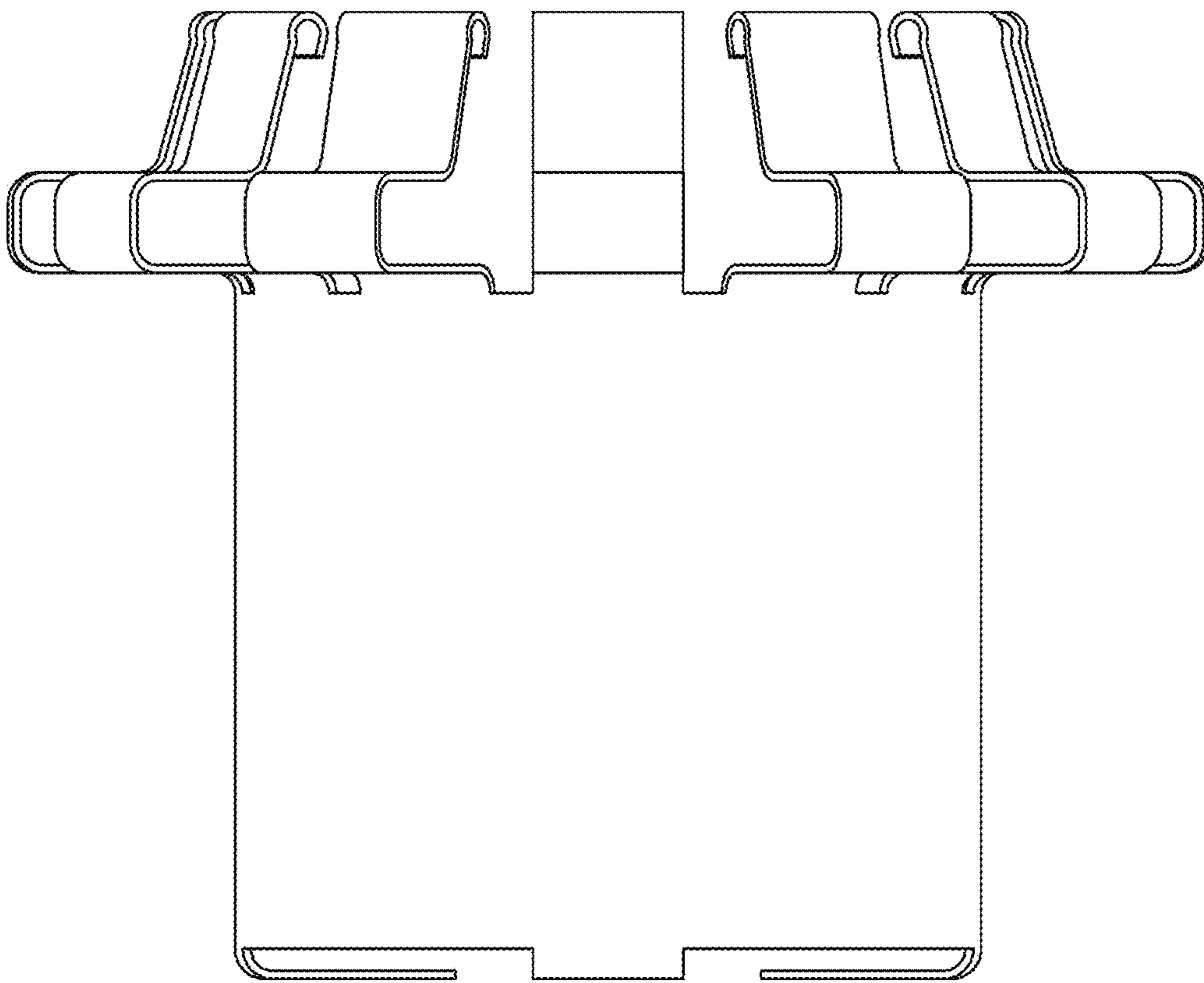


FIG. 2

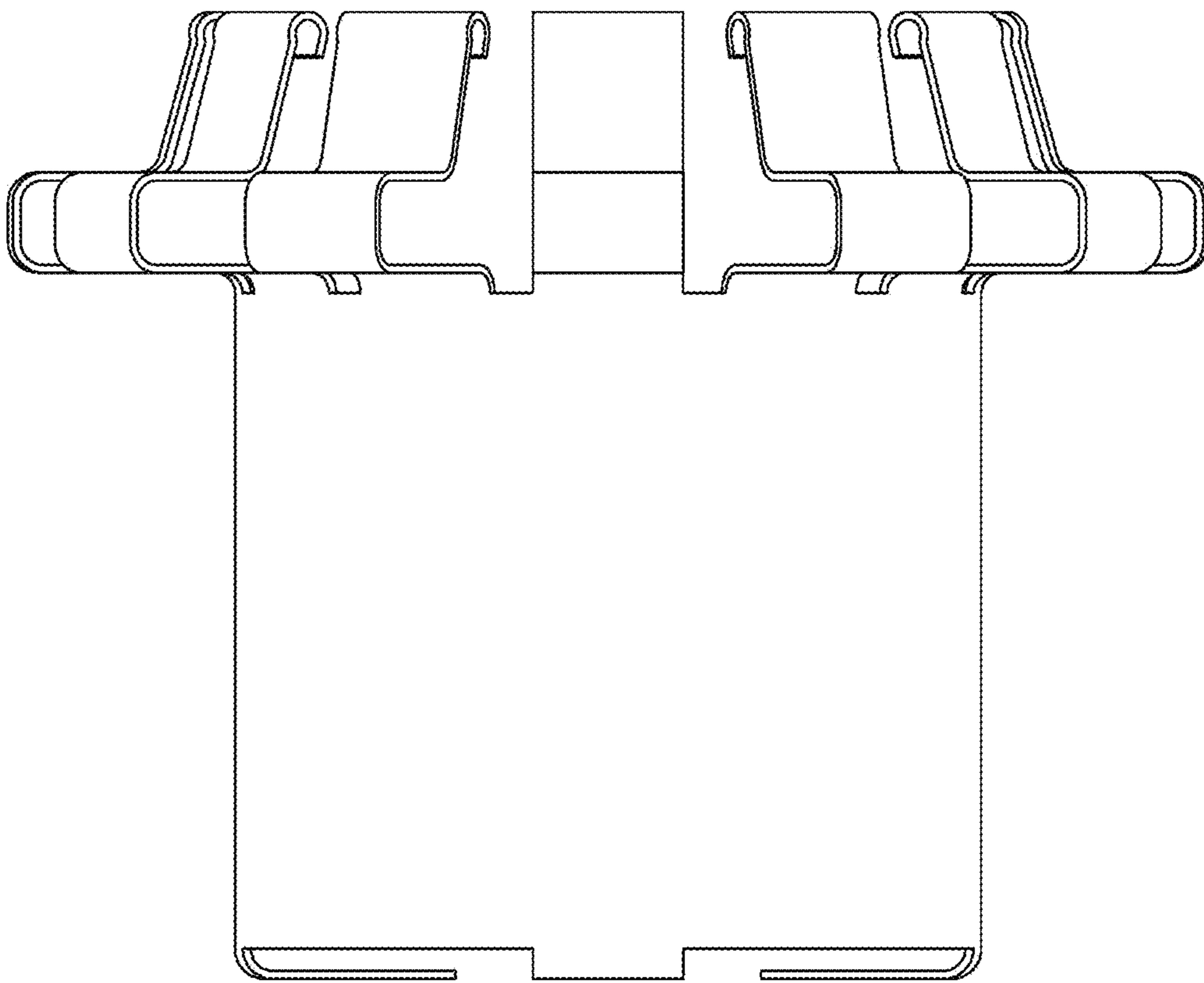


FIG. 3

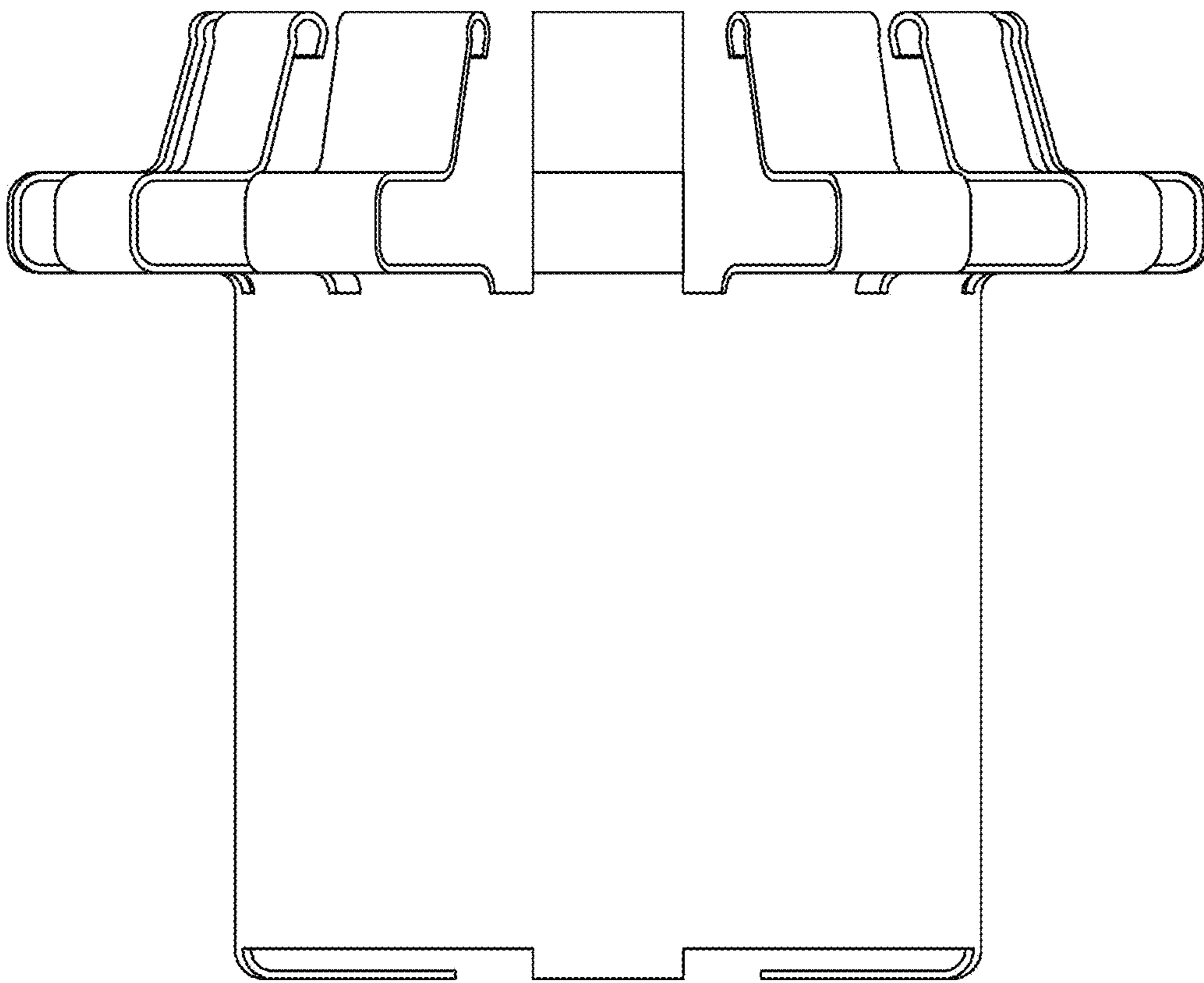


FIG. 4

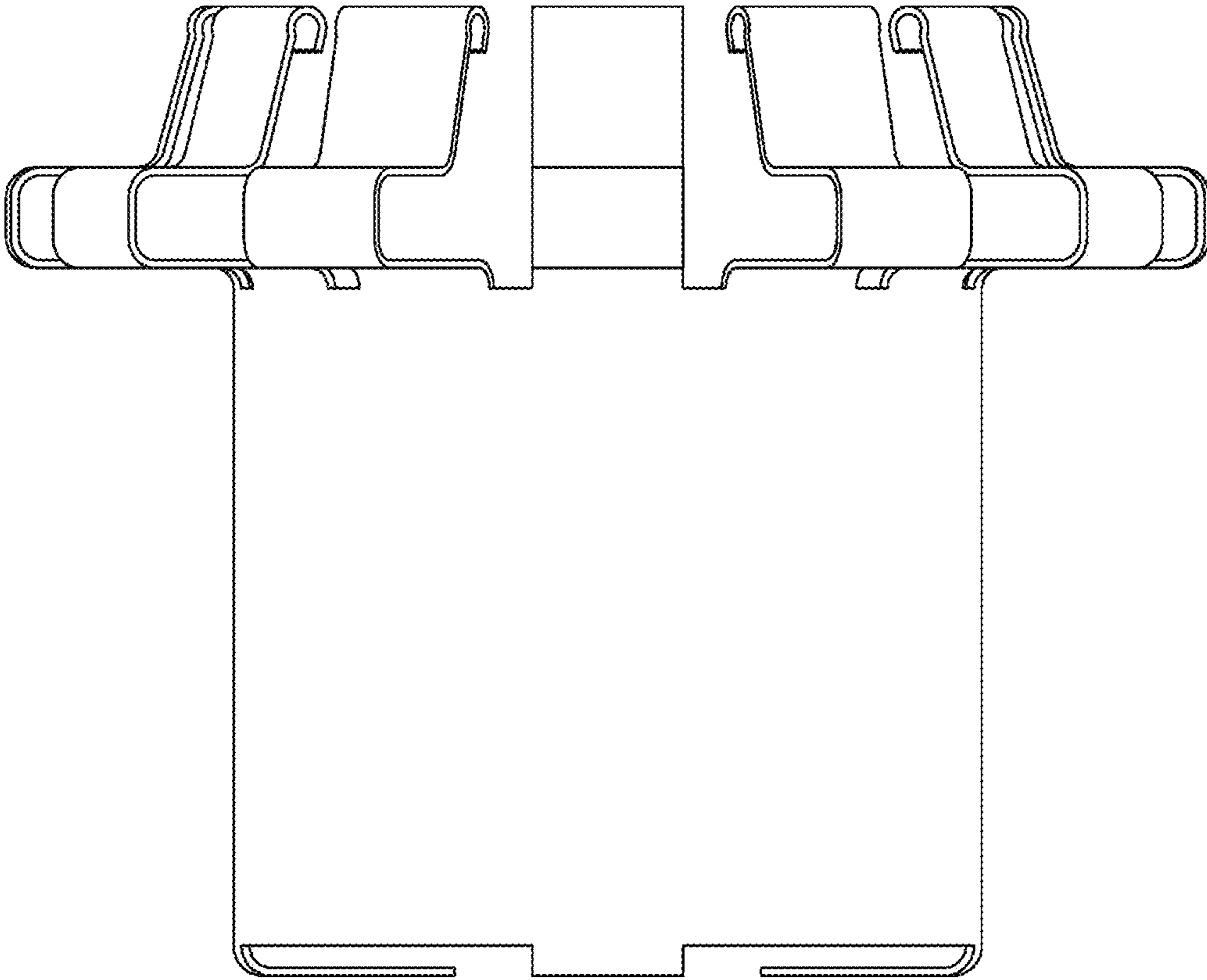


FIG. 5

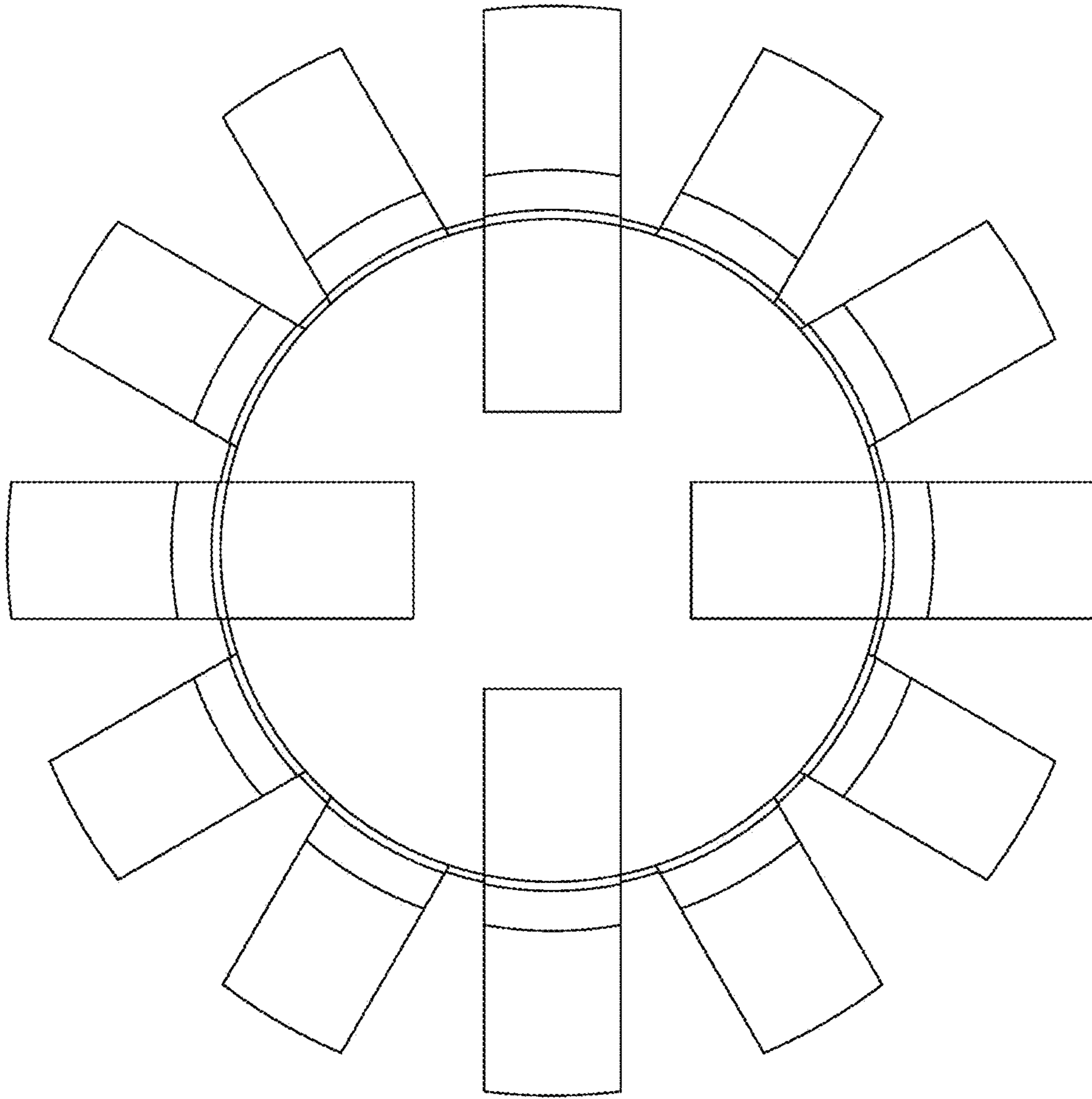


FIG. 6

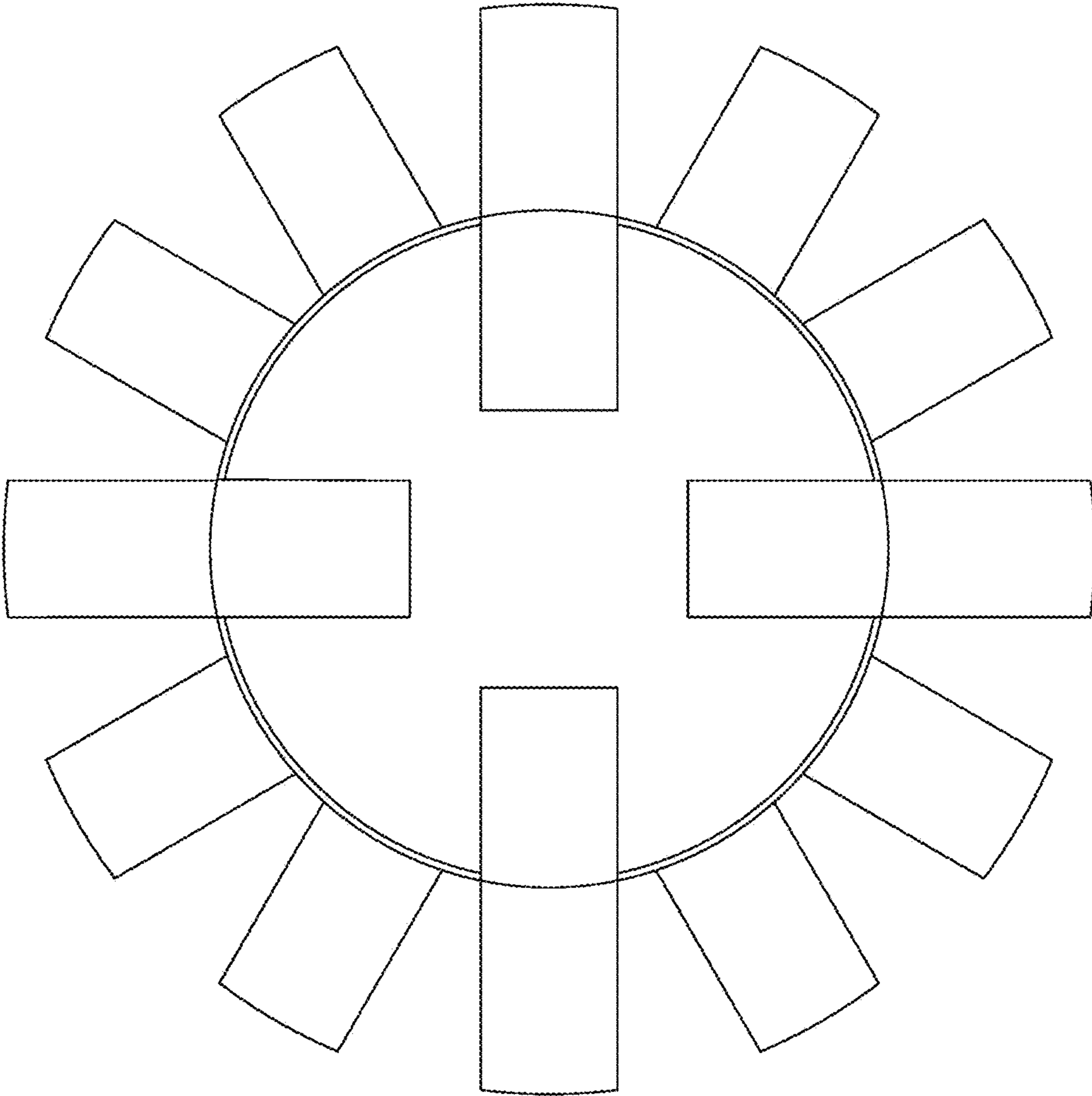


FIG. 7

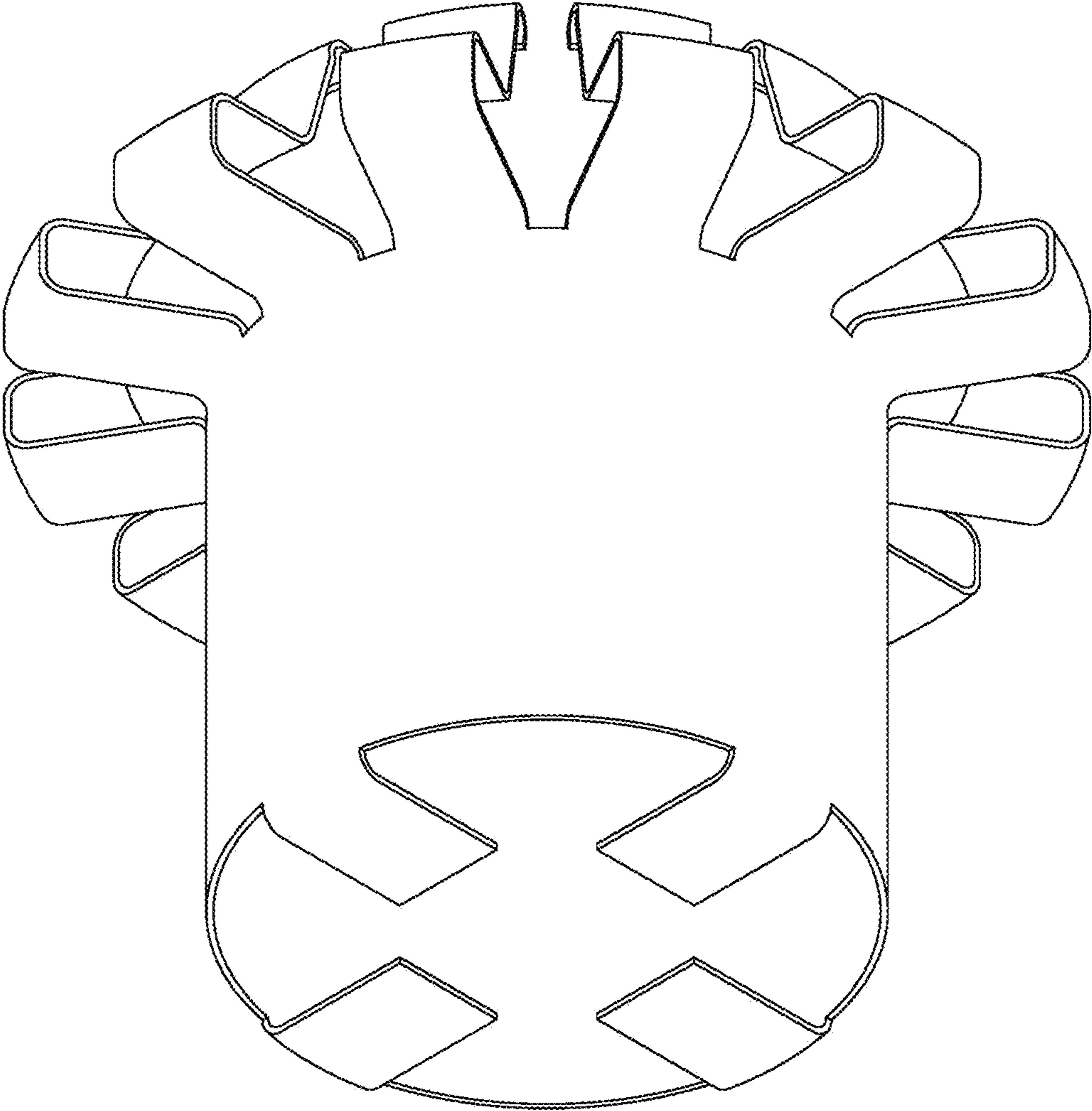


FIG. 8