



US00D945377S

(12) **United States Design Patent**
Semple et al.

(10) **Patent No.:** **US D945,377 S**
(45) **Date of Patent:** **** Mar. 8, 2022**

(54) **COMBINED ELECTRICAL BOX CABLE
MANAGEMENT AND SUPPORT CLIP
BRACKET**

D612,226	S	*	3/2010	Dinh	D8/356
D613,150	S	*	4/2010	Rieder	D8/356
D801,783	S	*	11/2017	Riner	D8/356
D902,026	S	*	11/2020	O'Hare	D8/499
2020/0200714	A1	*	6/2020	Nixon	H02G 11/02
2020/0266617	A1	*	8/2020	Semple	H02G 3/123

(71) Applicant: **EATON INTELLIGENT POWER
LIMITED**, Dublin (IE)

* cited by examiner

(72) Inventors: **Shane Semple**, Cecil, PA (US); **Ronald
Conroy**, Liverpool, NY (US); **Gary
Stephen Stasonis**, Pulaski, NY (US)

Primary Examiner — Lilyana Bekic

Assistant Examiner — Lee D. Starr

(73) Assignee: **EATON INTELLIGENT POWER
LIMITED**, Dublin (IE)

(74) *Attorney, Agent, or Firm* — Armstrong Teasdale LLP

(**) Term: **15 Years**

(57) **CLAIM**

(21) Appl. No.: **29/697,324**

We claim the ornamental design for a combined electrical box cable management and support clip bracket, as shown and described.

(22) Filed: **Jul. 8, 2019**

(51) **LOC (13) Cl.** **13-03**

(52) **U.S. Cl.**
USPC **D13/152**

DESCRIPTION

(58) **Field of Classification Search**
USPC D13/152–158, 146, 147, 133, 199, 184;
D8/352–356, 366
CPC H01R 13/506; H01R 13/508; H02G 3/04;
H02G 3/0406; H02G 3/0418; H02G 3/08;
H02G 3/081; H02G 3/12; H02G 3/123;
H02G 3/125; H02G 3/14; H02G 3/16;
H02G 3/30; H05K 7/14; H05K 7/1401;
H05K 7/1405; H05K 7/1417; H05K 7/18;
H05K 7/186

FIG. 1 is a perspective view of a combined electrical box cable management and support clip bracket showing our new design;
FIG. 2 is a front elevational view thereof;
FIG. 3 is a rear elevational view thereof;
FIG. 4 is a right side elevational view thereof;
FIG. 5 is a left side elevational view thereof;
FIG. 6 is a top plan view thereof; and,
FIG. 7 is a bottom plan view thereof.

See application file for complete search history.

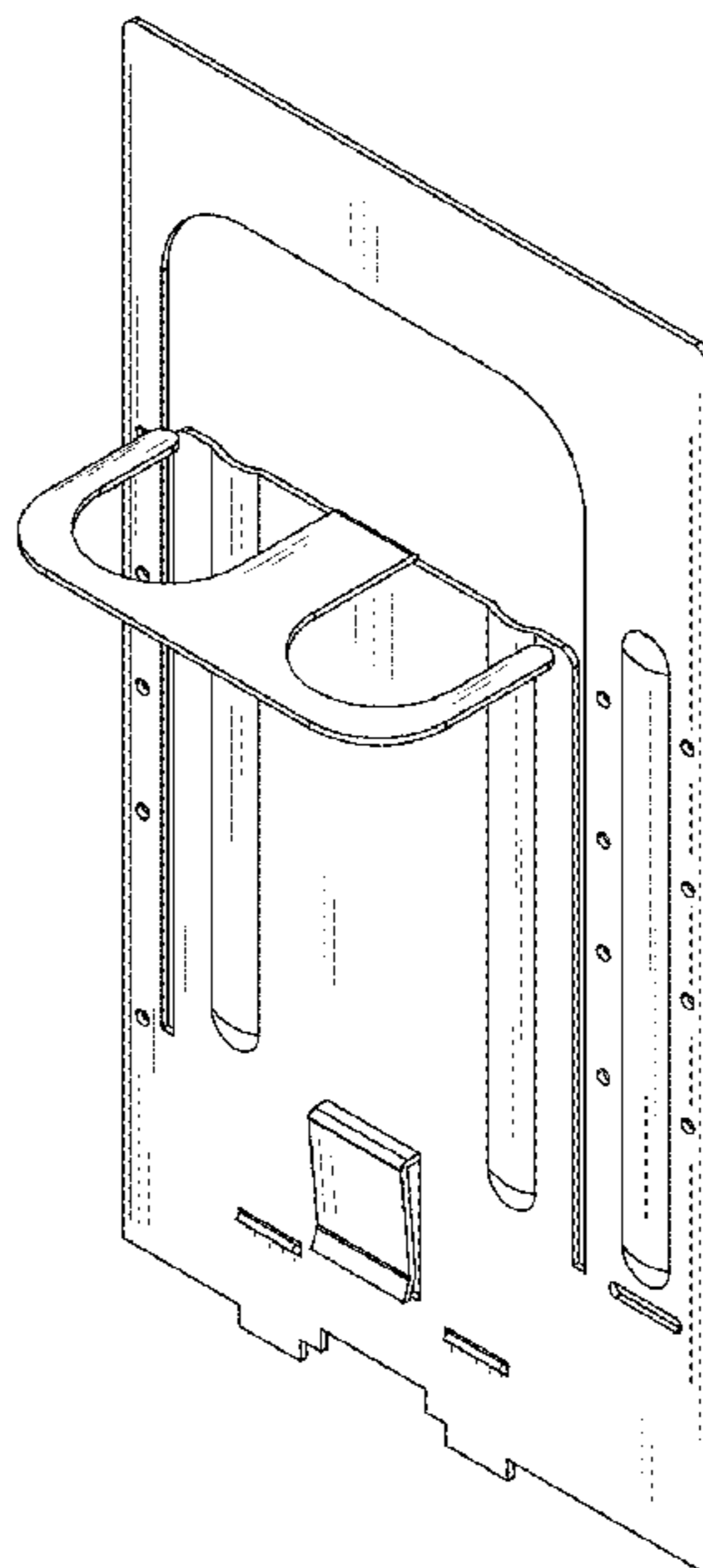
FIGS. 1-7 are various views of a combined electrical junction box cable management and support clip bracket in accordance with the present design. The cable management and support clip brackets provide pass through openings for cables being connected to an electrical junction box in an in-wall electrical power wiring system and optionally also provide far-side support for the electrical junction box.

(56) **References Cited**

U.S. PATENT DOCUMENTS

2,831,222	A	*	4/1958	Anderson	E04F 13/0826
						52/489.1
D502,388	S	*	3/2005	Cortez	D8/356

1 Claim, 5 Drawing Sheets



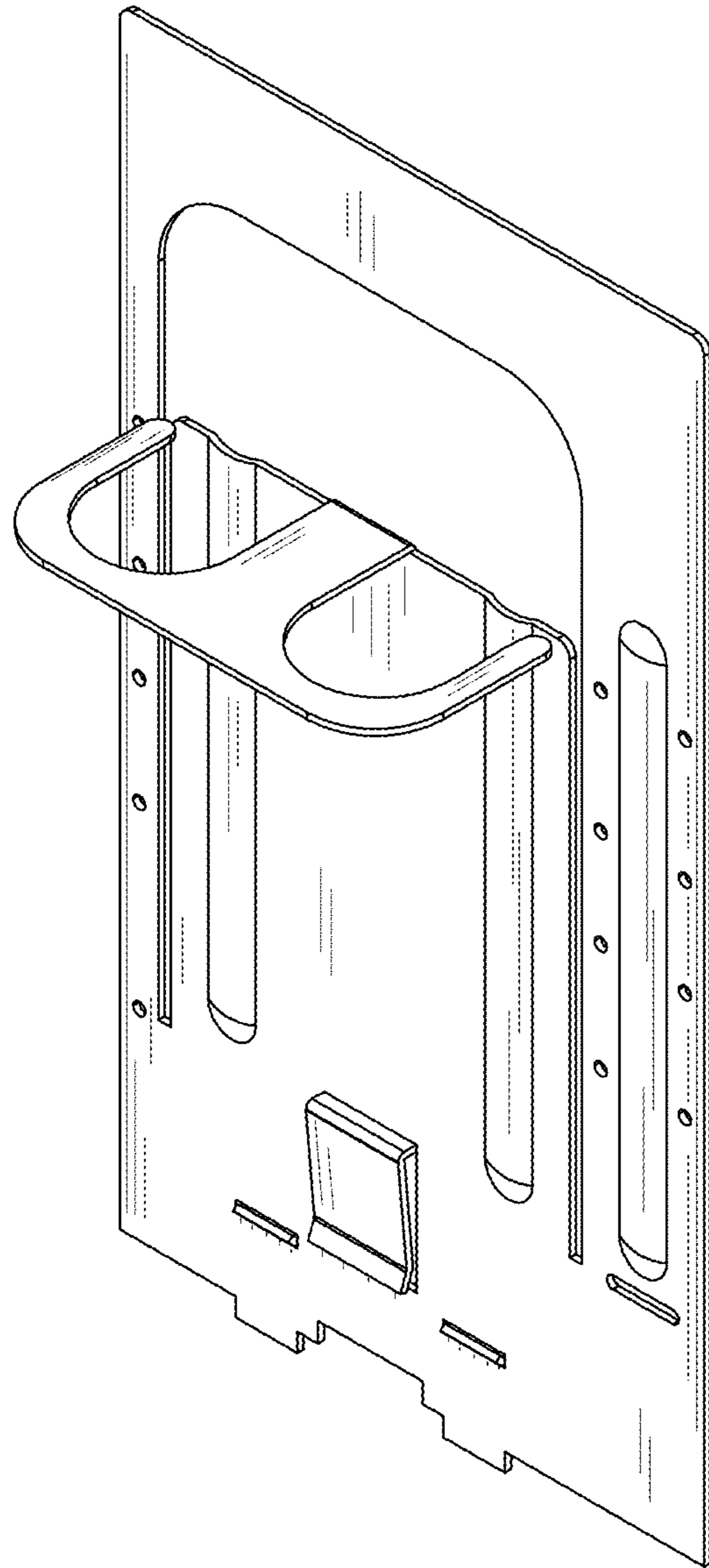


FIG. 1

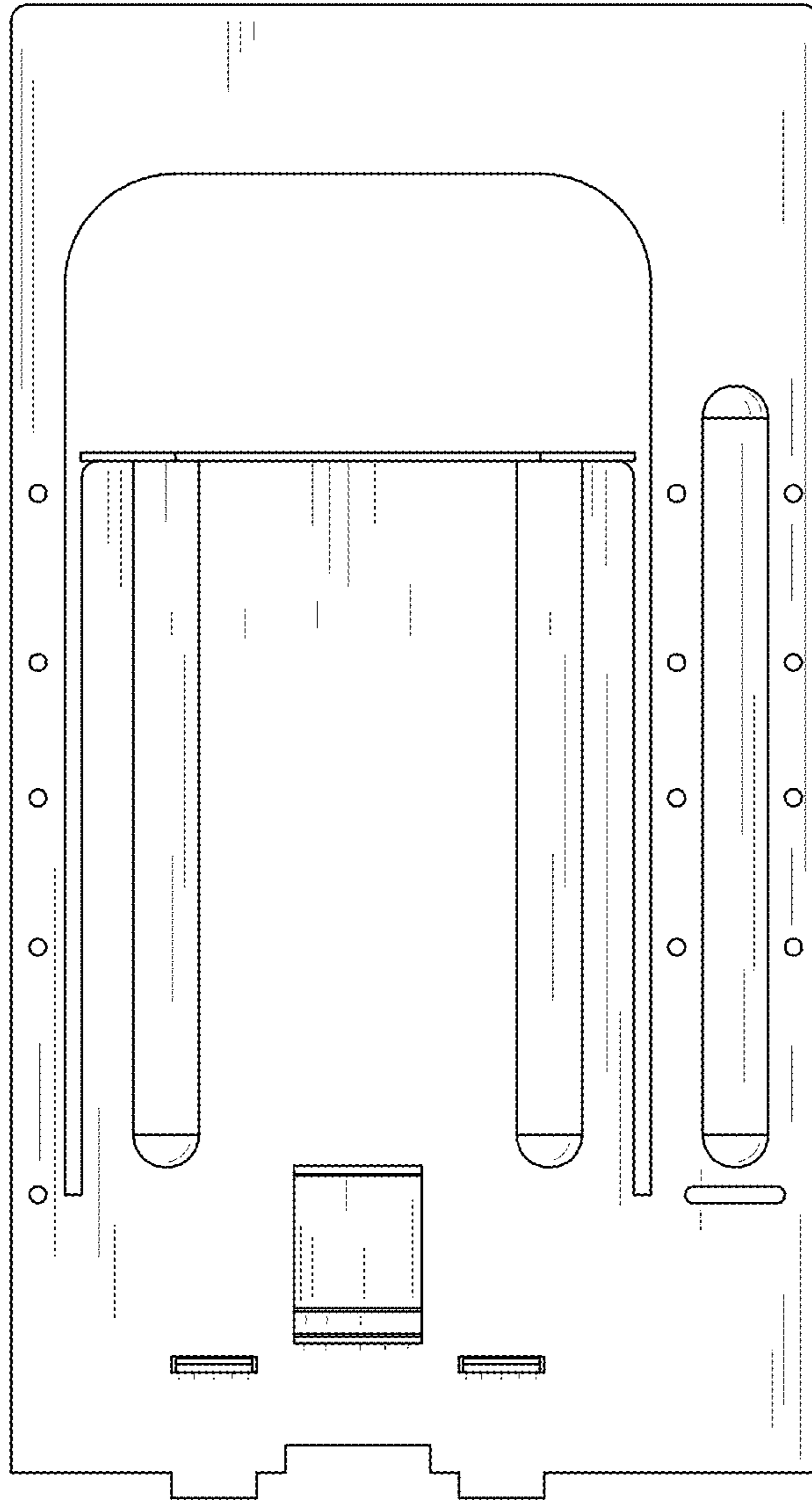


FIG. 2

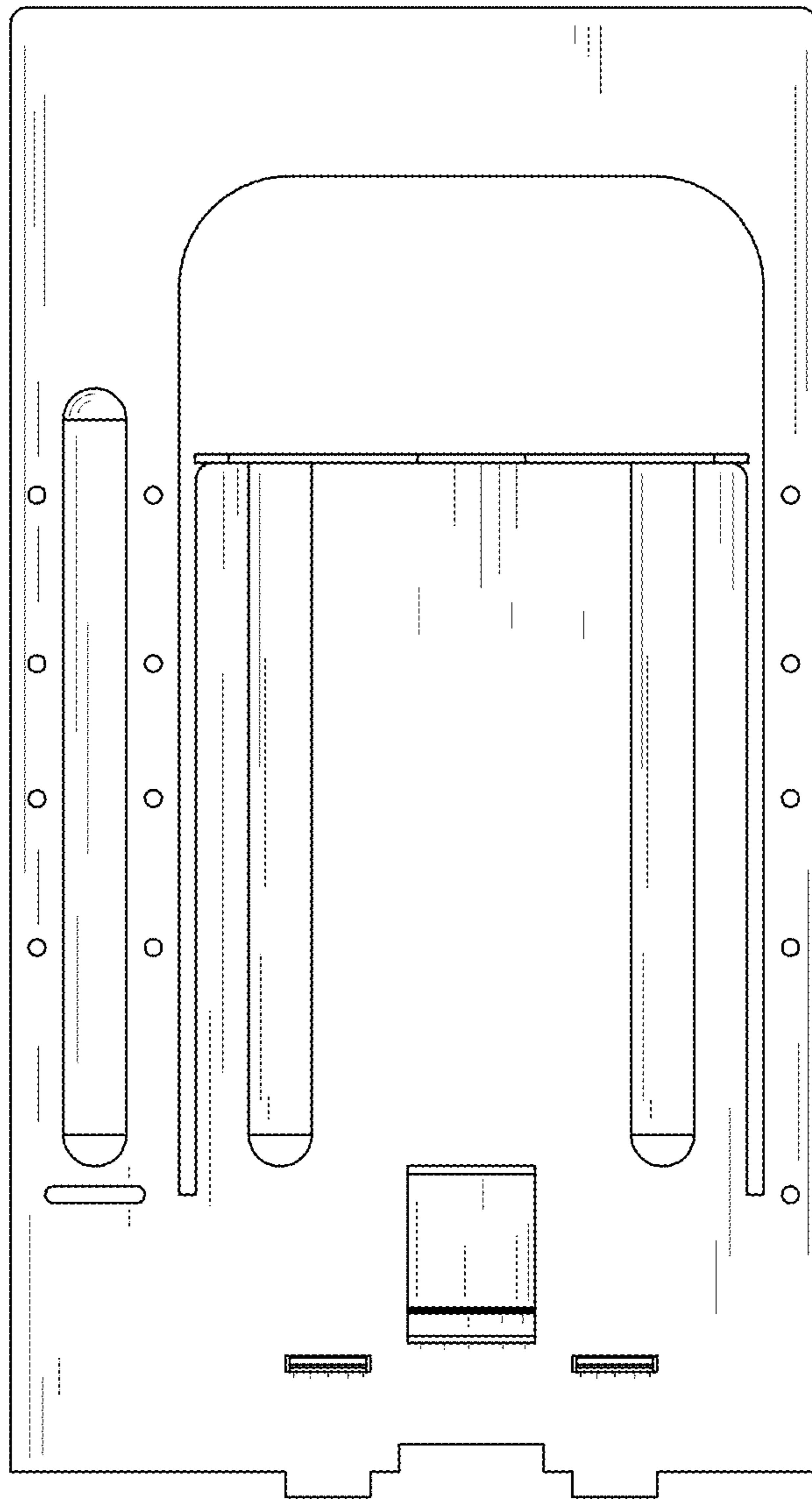


FIG. 3

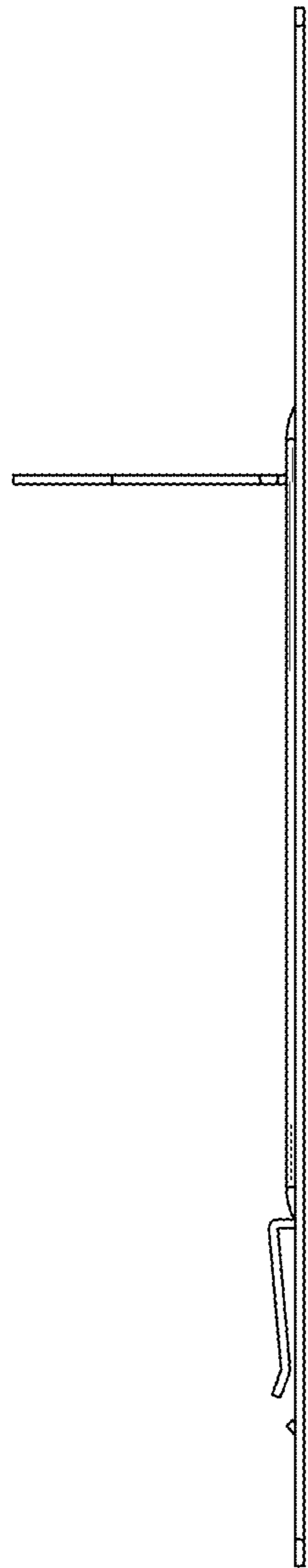


FIG. 4

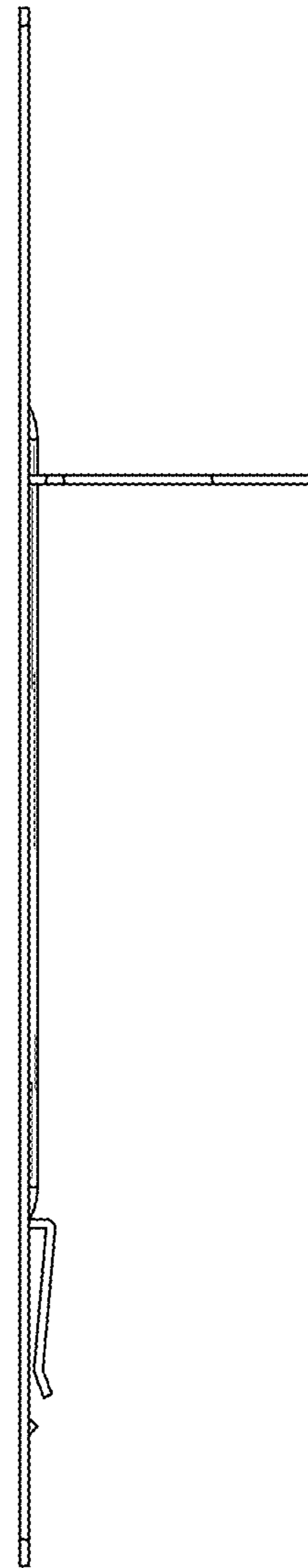


FIG. 5

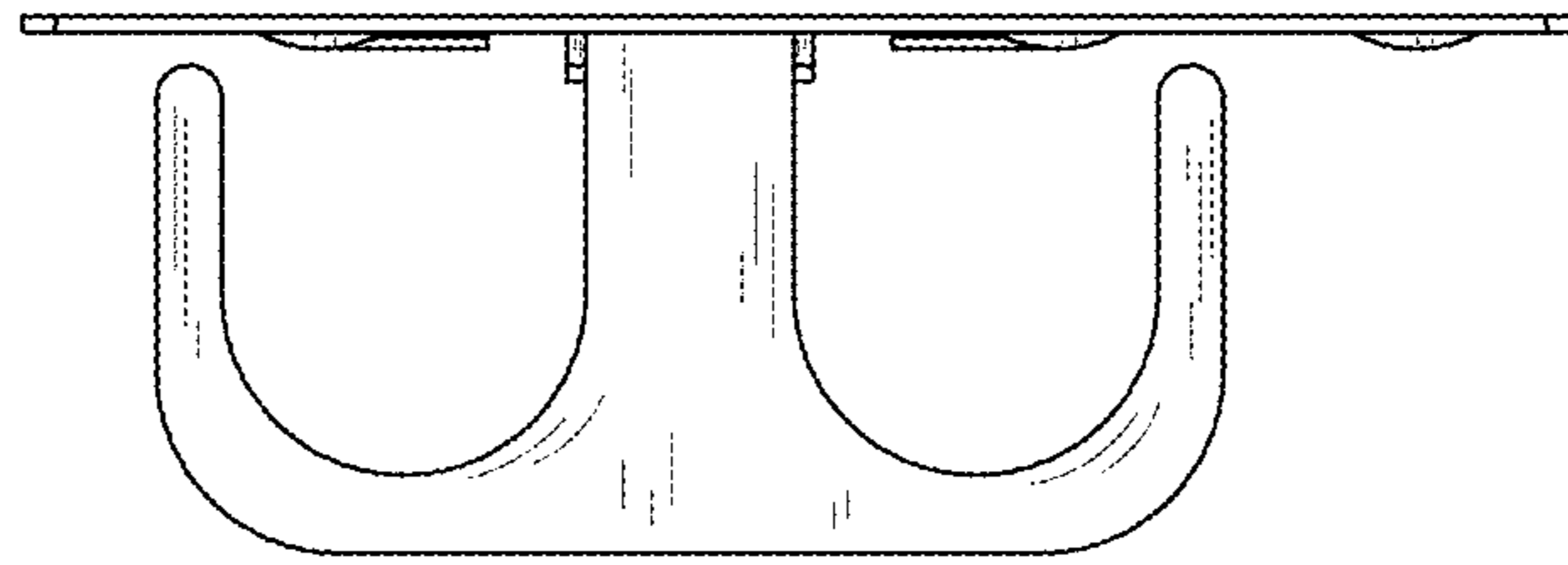


FIG. 6

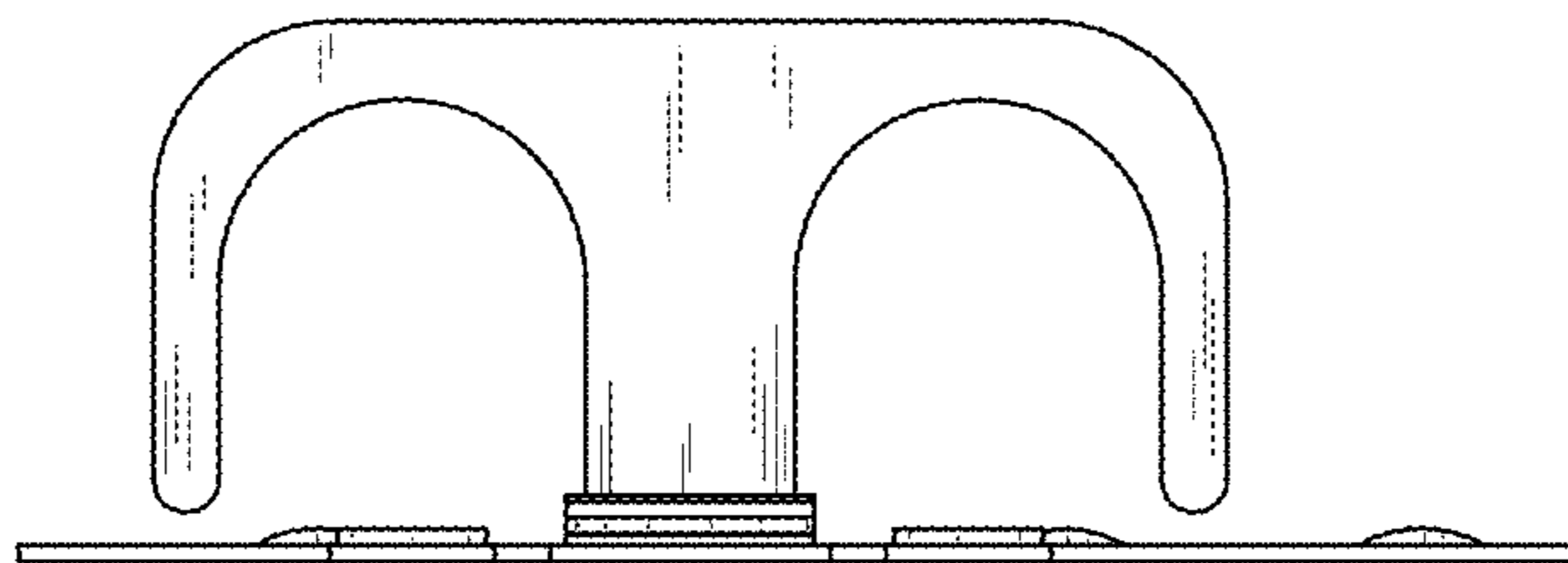


FIG. 7