



US00D945375S

(12) **United States Design Patent**
Obata

(10) **Patent No.:** **US D945,375 S**
(45) **Date of Patent:** **** Mar. 8, 2022**

(54) **CONNECTOR**

(71) Applicant: **Japan Aviation Electronics Industry, Limited**, Tokyo (JP)

(72) Inventor: **Yusuke Obata**, Tokyo (JP)

(73) Assignee: **JAPAN AVIATION ELECTRONICS INDUSTRY, LIMITED**, Tokyo (JP)

(**) Term: **15 Years**

(21) Appl. No.: **29/735,871**

(22) Filed: **May 26, 2020**

(30) **Foreign Application Priority Data**

Dec. 4, 2019 (JP) 2019-026938

(51) **LOC (13) Cl.** **13-03**

(52) **U.S. Cl.**
USPC **D13/147; D13/149**

(58) **Field of Classification Search**
USPC D13/120, 123, 133, 146-147, 149, 154,
D13/184, 199

(Continued)

(56) **References Cited**

U.S. PATENT DOCUMENTS

5,252,084 A * 10/1993 Wakata H01R 13/62955
439/157

6,081,647 A * 6/2000 Roth G02B 6/3888
385/139

(Continued)

FOREIGN PATENT DOCUMENTS

JP D1678786 * 2/2021
JP D1678809 * 2/2021
JP D1689508 * 7/2021

OTHER PUBLICATIONS

Molex Connectors, dated Feb. 20, 2019, [online], [site visited Aug. 31, 2021]. Available from internet, URL: https://www.molex.com/molex/products/part-detail/crimp_housings/2034382606# (Year: 2019).*

(Continued)

Primary Examiner — Shawn T Gingrich

Assistant Examiner — Bryan Nolan Melvin

(74) *Attorney, Agent, or Firm* — Manabu Kanesaka

(57) **CLAIM**

The ornamental design for a connector, as shown and described.

DESCRIPTION

FIG. 1 is a front elevational view of the first configuration of a connector showing my new design;

FIG. 2 is a rear elevational view thereof;

FIG. 3 is a right side elevational view thereof;

FIG. 4 is a left side elevational view thereof;

FIG. 5 is a top plan view thereof;

FIG. 6 is a bottom plan view thereof;

FIG. 7 is a cross-sectional view taken along a line 7-7 in FIG. 1

FIG. 8 is a perspective view showing a front, top and right side thereof;

FIG. 9 is a perspective view showing a rear, bottom and left side thereof;

FIG. 10 is a perspective view showing a front, right and bottom side thereof;

FIG. 11 is a perspective view showing a rear, left and top side thereof;

FIG. 12 is a front elevational view of the second configuration of a connector showing my new design;

FIG. 13 is a rear elevational view thereof;

FIG. 14 is a right side elevational view thereof;

FIG. 15 is a left side elevational view thereof;

FIG. 16 is a top plan view thereof;

FIG. 17 is a bottom plan view thereof;

FIG. 18 is a cross-sectional view taken along a line 18-18 in FIG. 12;

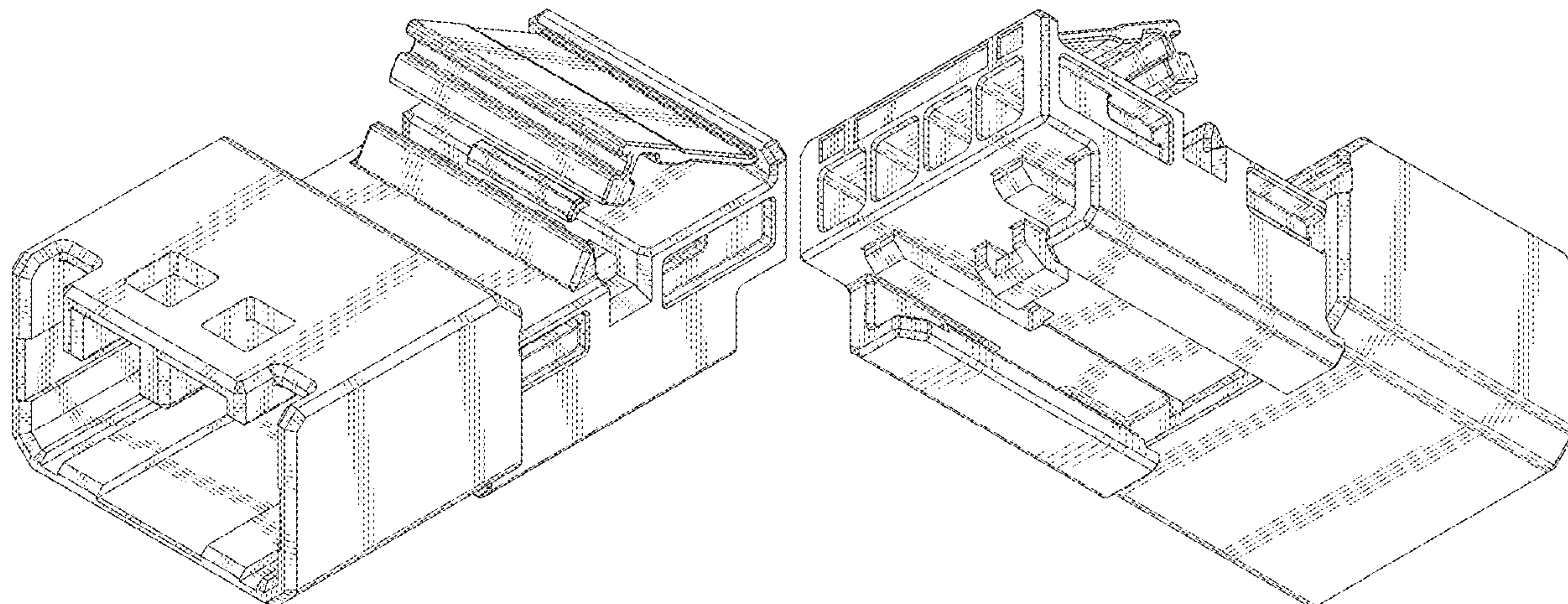
FIG. 19 is a perspective view showing a front, top and right side thereof;

FIG. 20 is a perspective view showing a rear, bottom and left side thereof;

FIG. 21 is a perspective view showing a front, right and bottom side thereof; and,

FIG. 22 is a perspective view showing a rear, left and top side thereof.

(Continued)



The broken line showing of the connector is for the purpose of illustrating portions of the article and forms no part of the claimed design.

1 Claim, 12 Drawing Sheets

(58) Field of Classification Search

CPC H01R 4/028; H01R 12/716; H01R 12/707;
H01R 12/57; H01R 13/04; H01R 13/502;
H01R 13/629; H01R 12/7005

See application file for complete search history.

(56)

References Cited

U.S. PATENT DOCUMENTS

6,108,482 A * 8/2000 Roth G02B 6/3825
385/139
6,154,597 A * 11/2000 Roth G02B 6/3825
385/139

D443,588 S * 6/2001 Nishio D13/133
6,471,412 B1 * 10/2002 Belenkiy G02B 6/3825
385/53
D547,269 S * 7/2007 Sugita D13/133
7,597,580 B1 * 10/2009 Advney H01R 13/502
439/272
10,381,775 B2 * 8/2019 Zheng H01R 4/185
D913,952 S * 3/2021 Obata D13/147
D921,591 S * 6/2021 Obata D13/147
D928,097 S * 8/2021 Obata D13/147
2019/0260156 A1 * 8/2019 Terasawa H01R 13/516

OTHER PUBLICATIONS

TE Connectivity, dated Aug. 20, 2016, [online], [site visited Aug. 31, 2021]. Available from internet, URL: <https://www.te.com/us-en/product-2834048-4.html> (Year: 2016).*

* cited by examiner

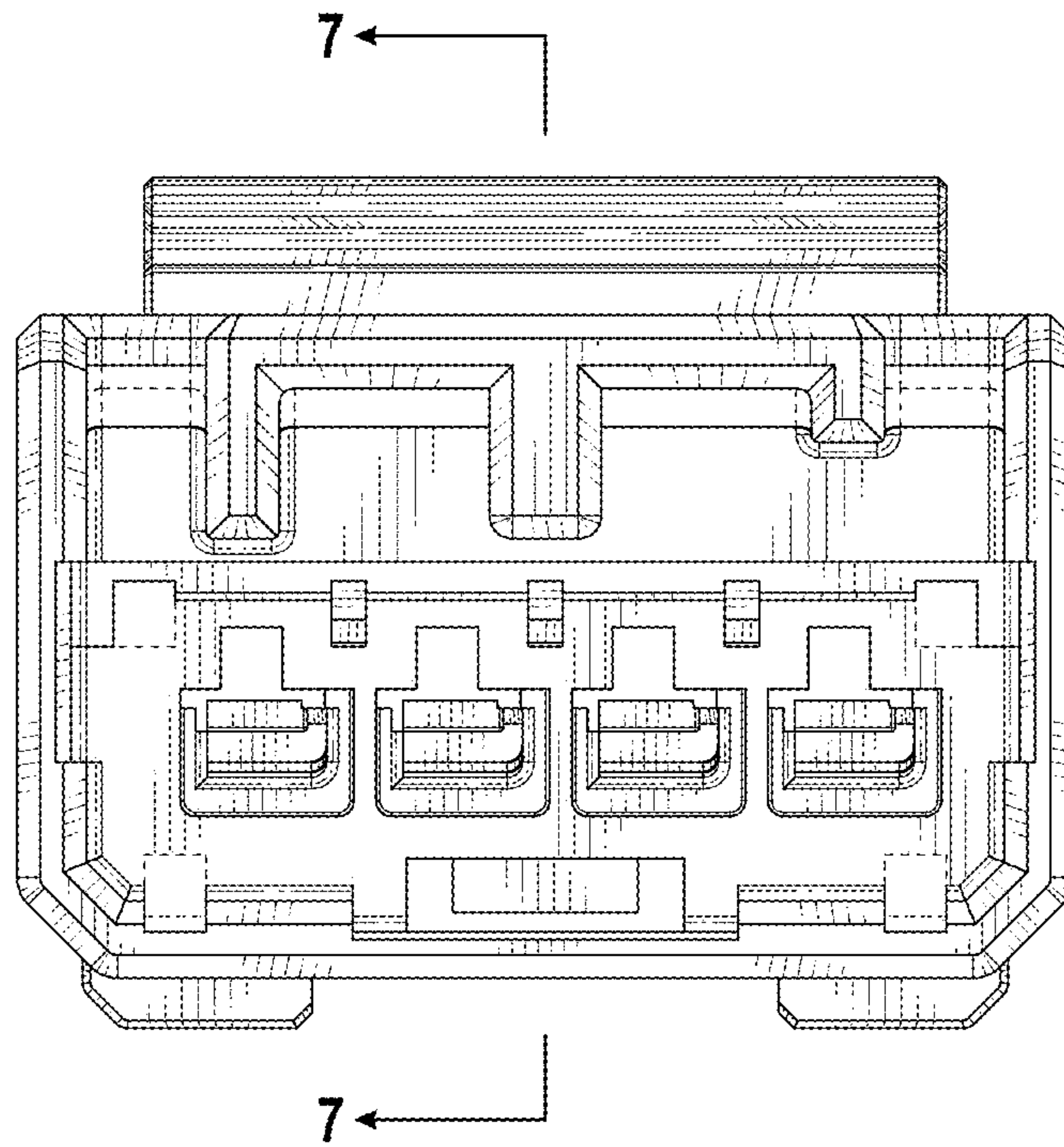


FIG. 1

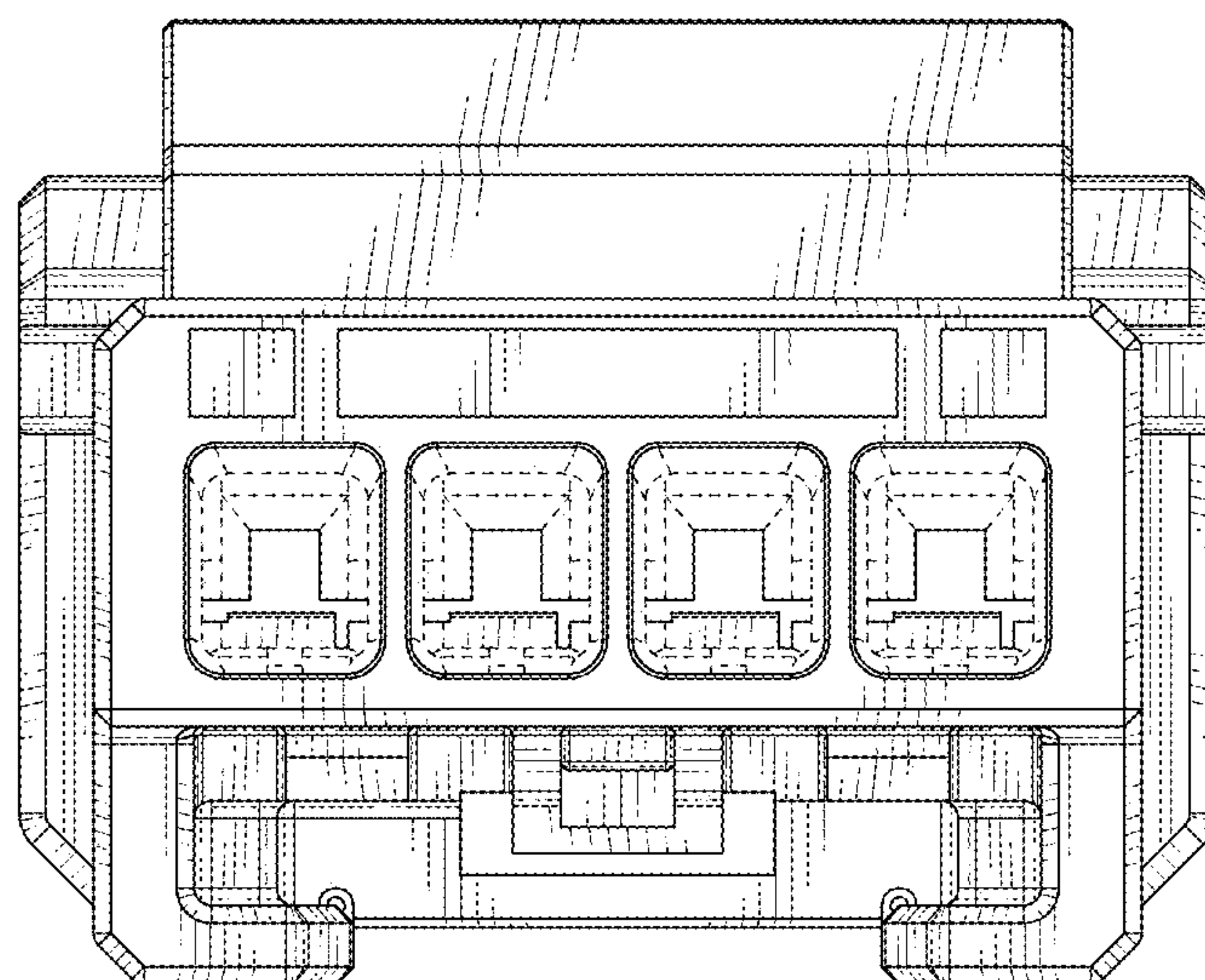


FIG. 2

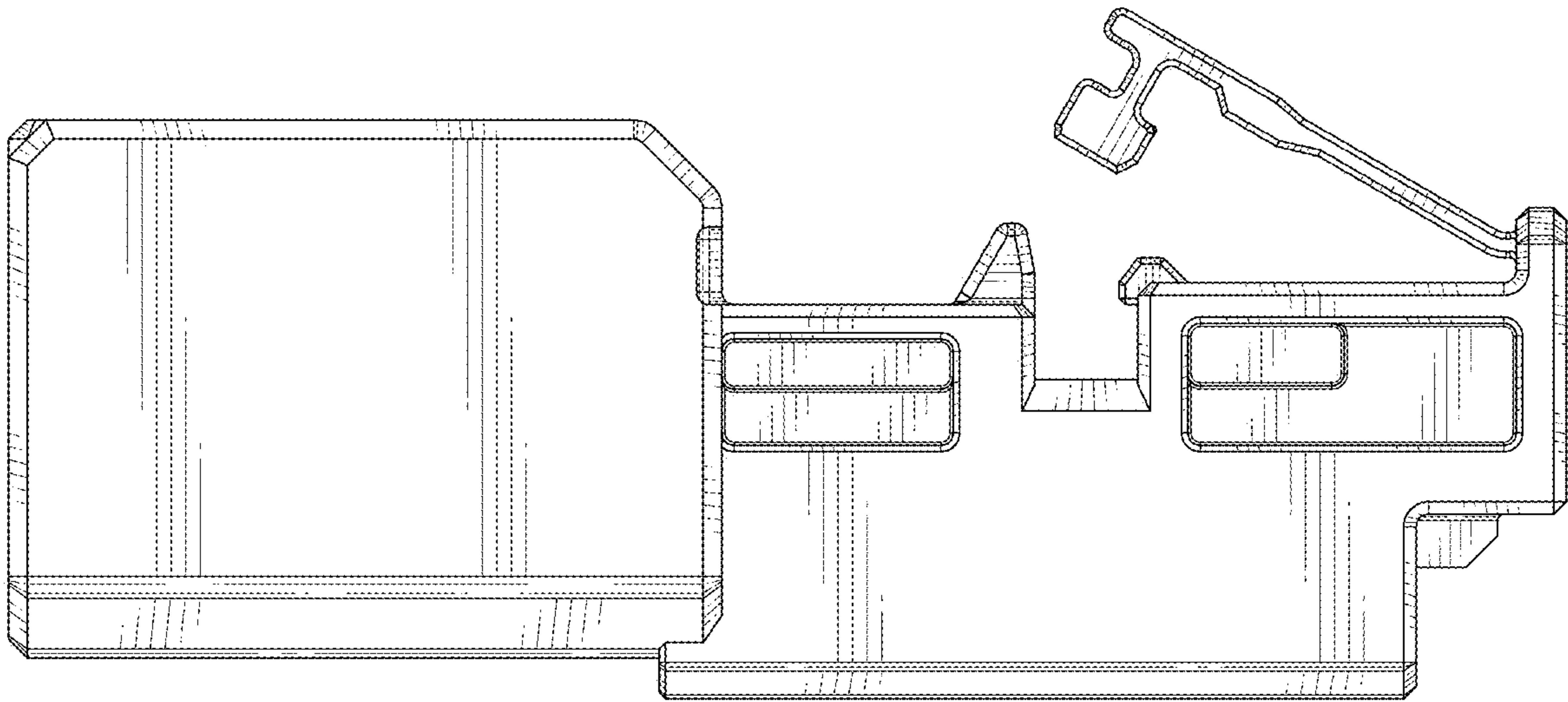


FIG. 3

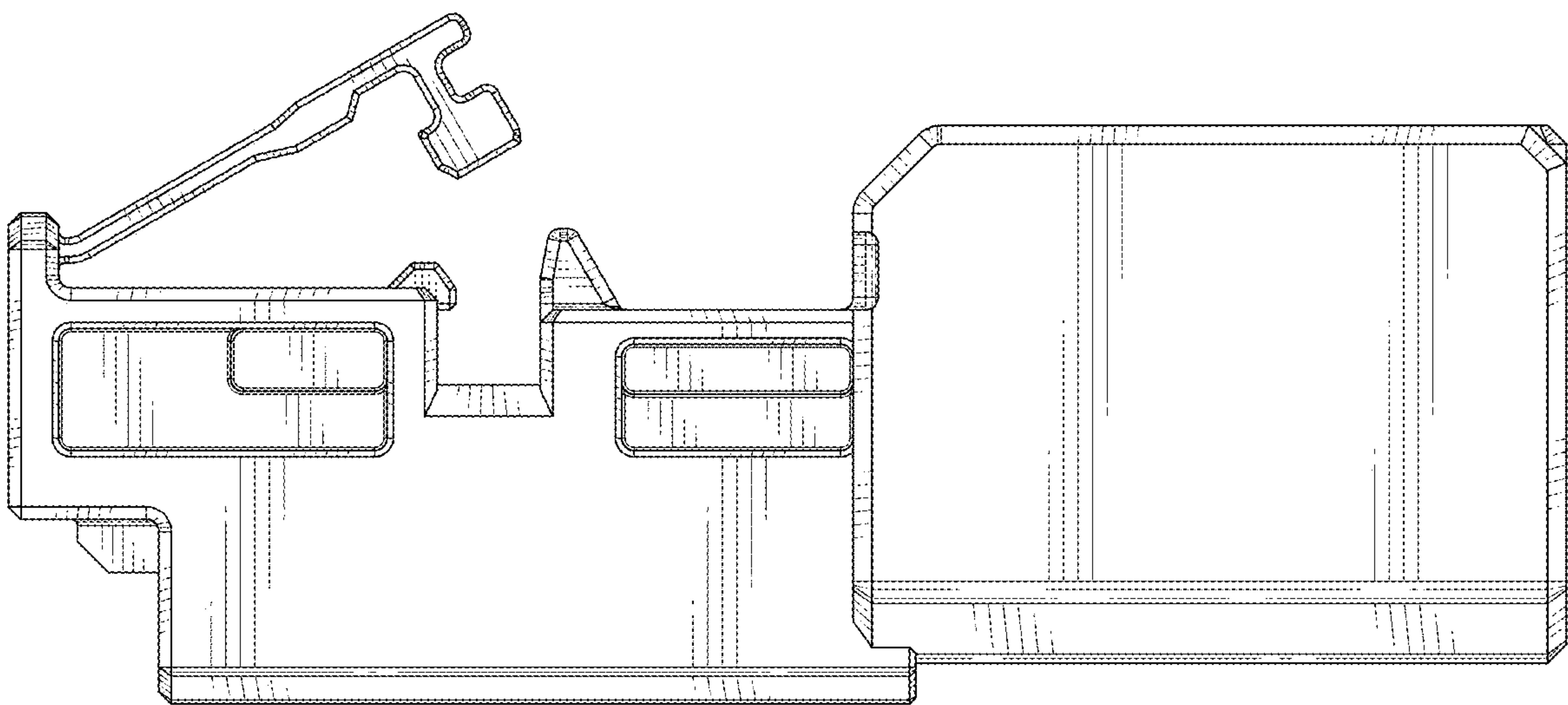


FIG. 4

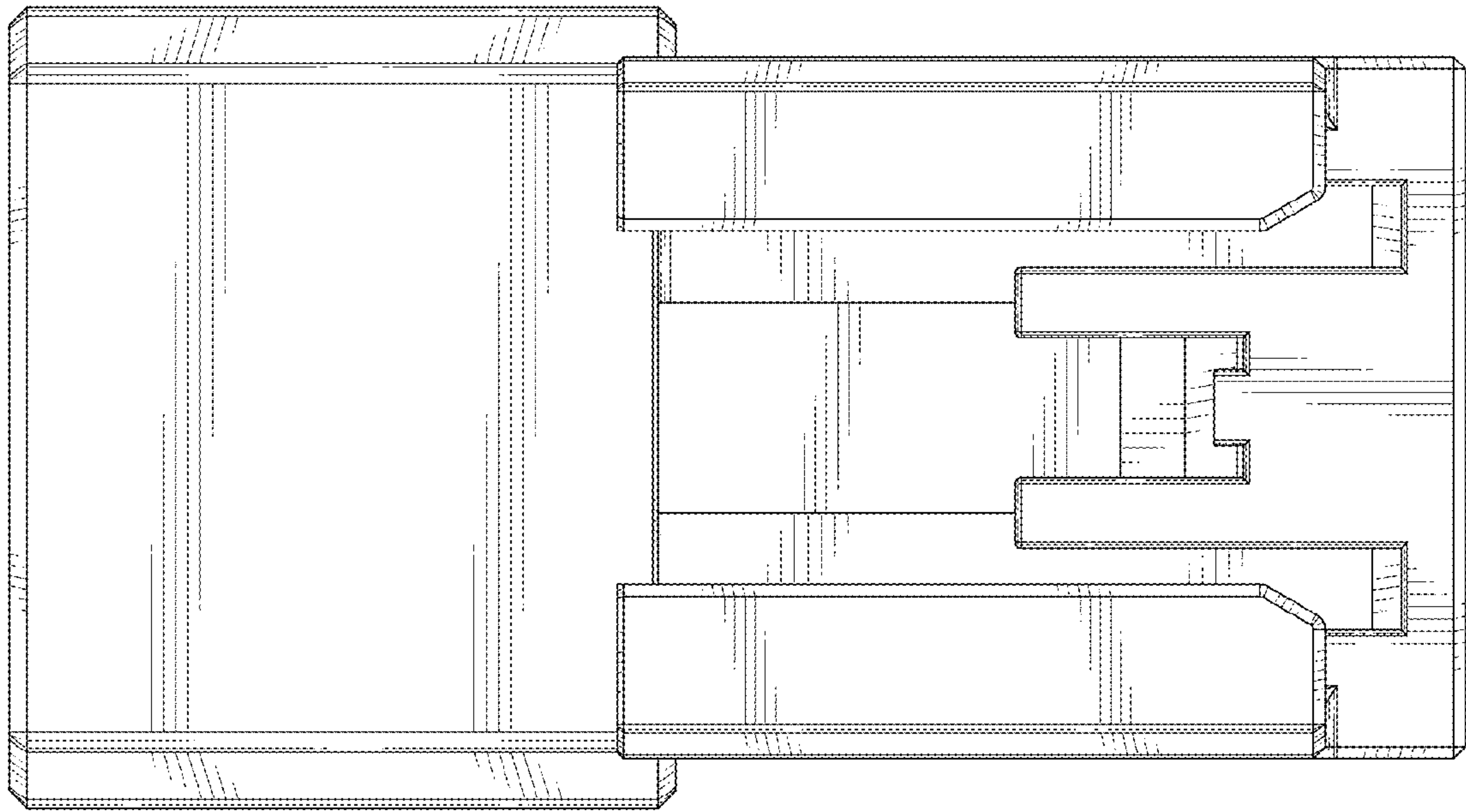


FIG. 6

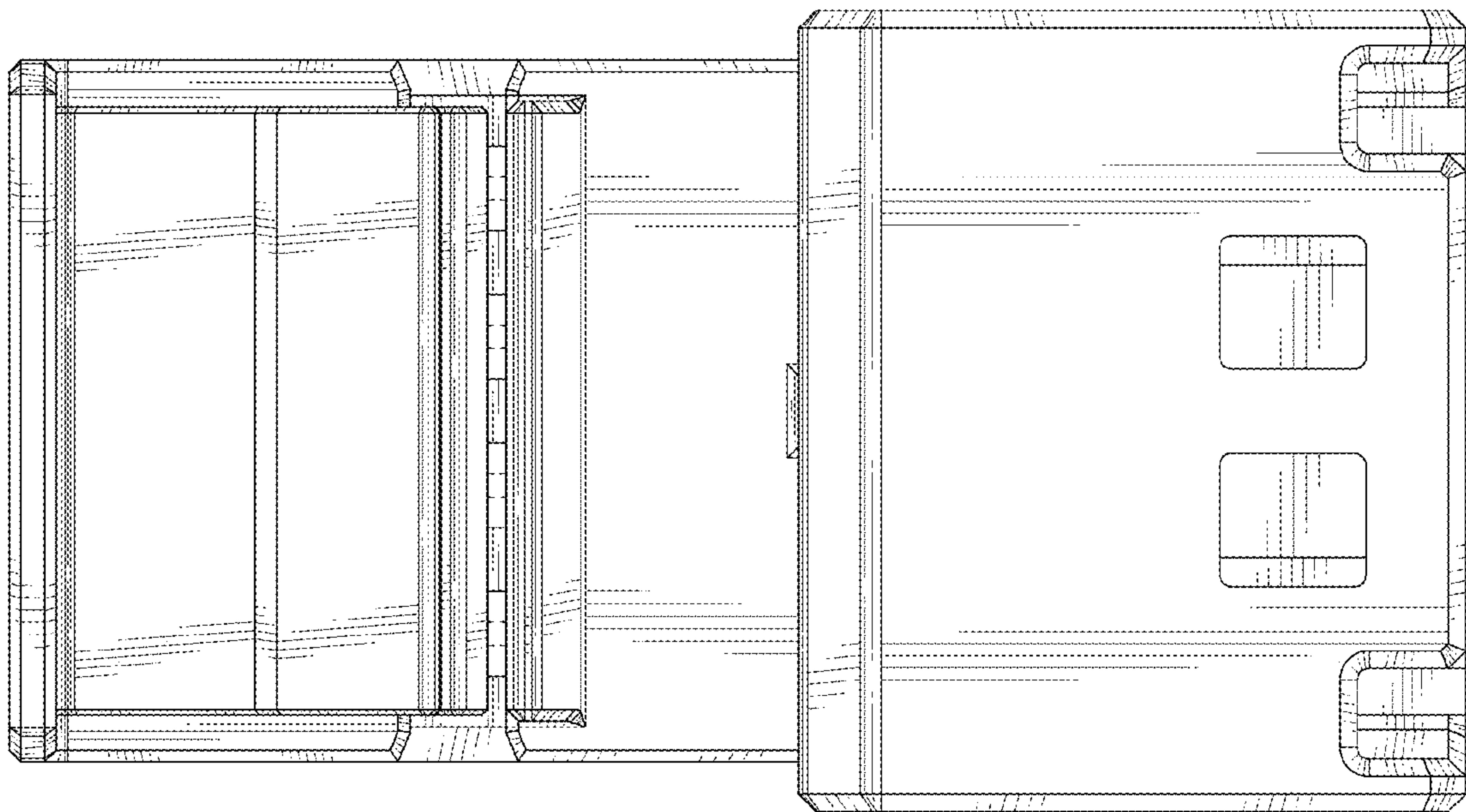


FIG. 5

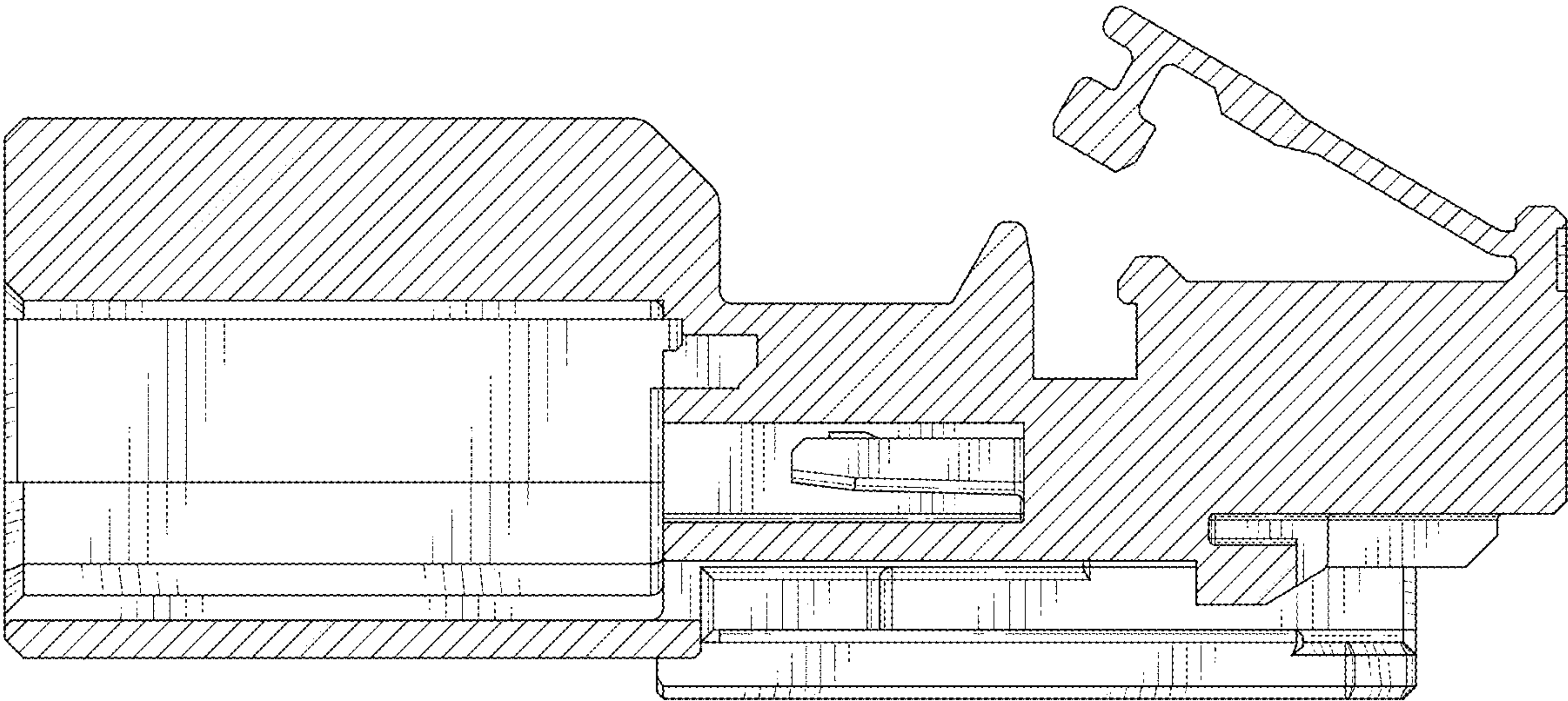


FIG. 7

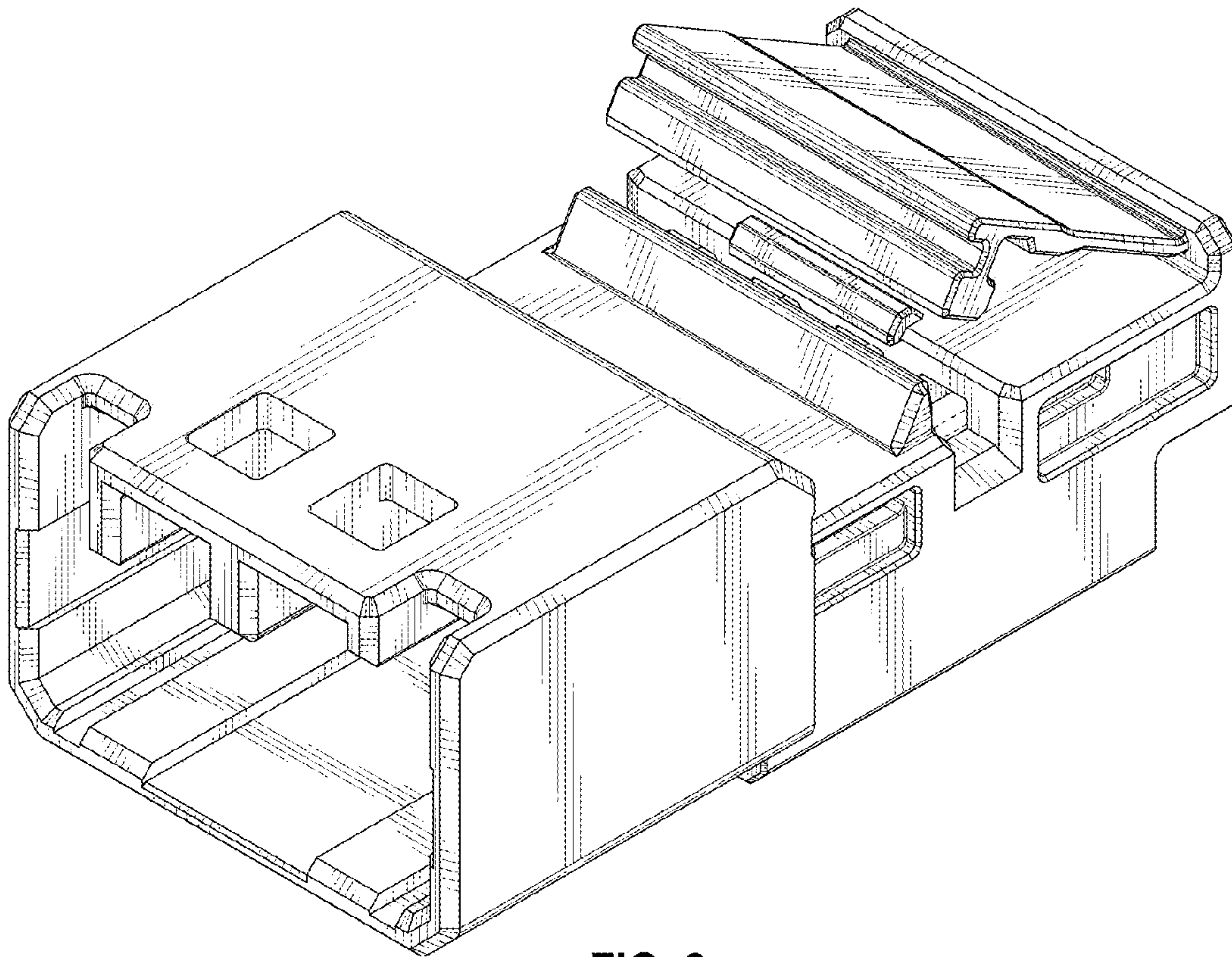


FIG. 8

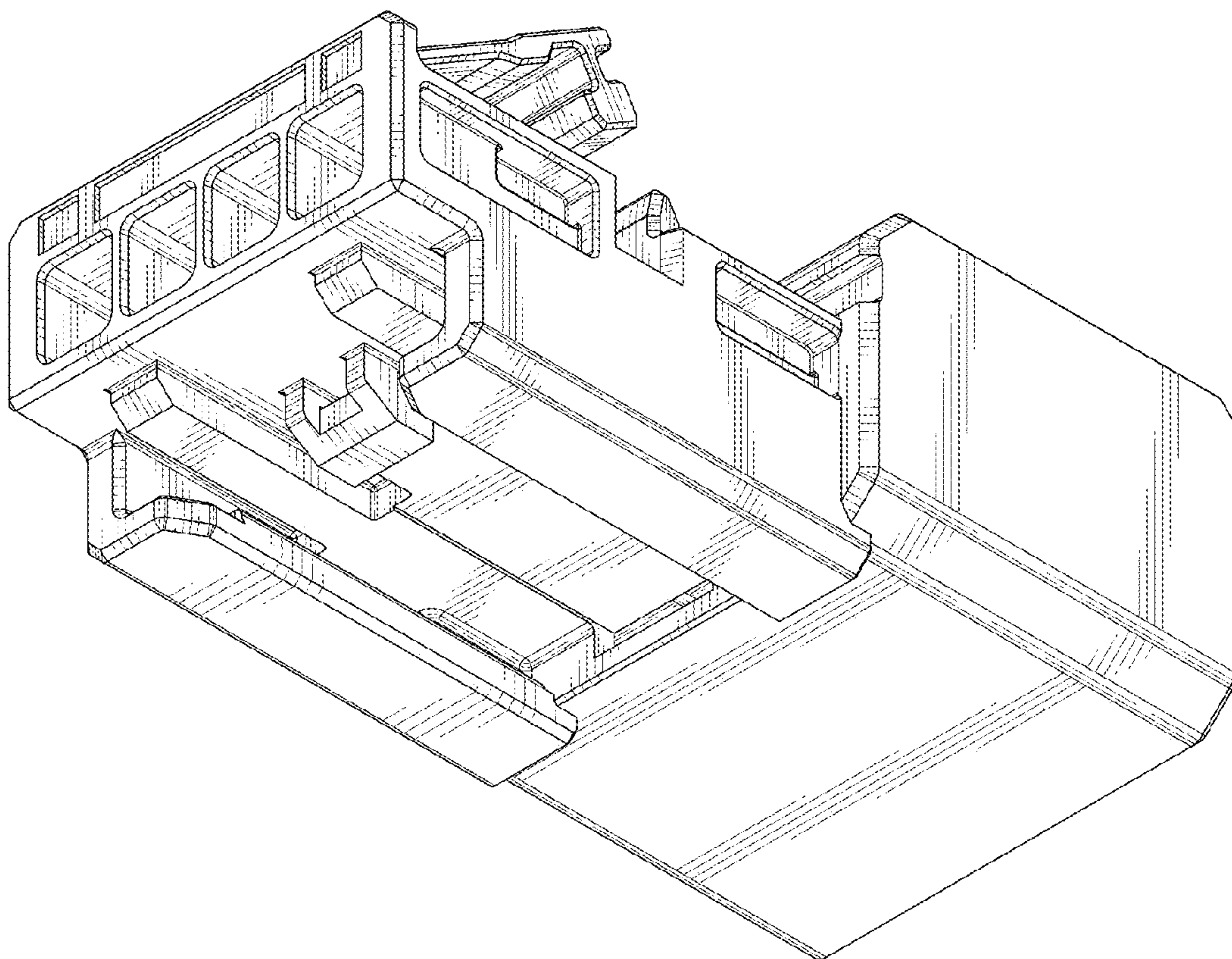


FIG. 9

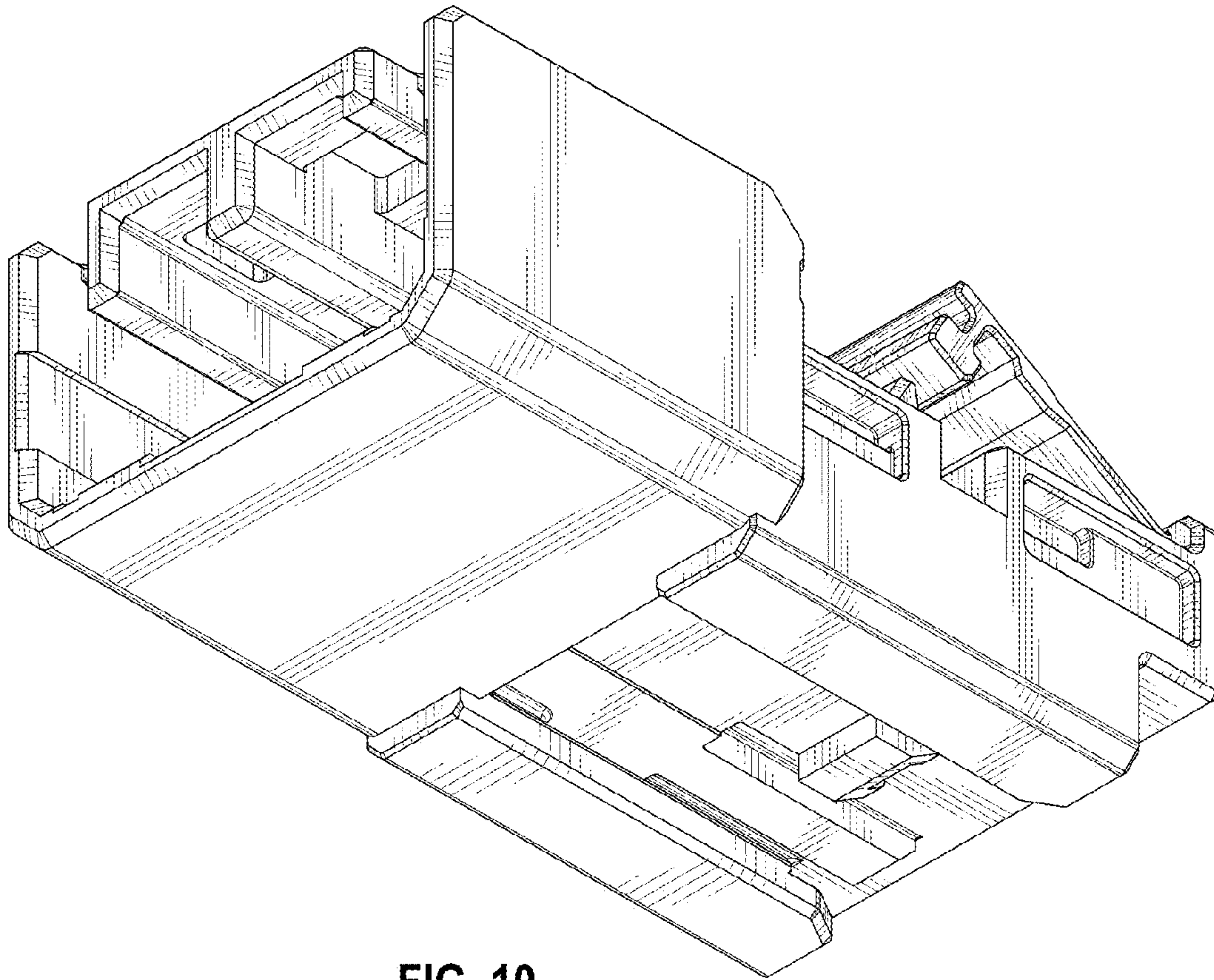


FIG. 10

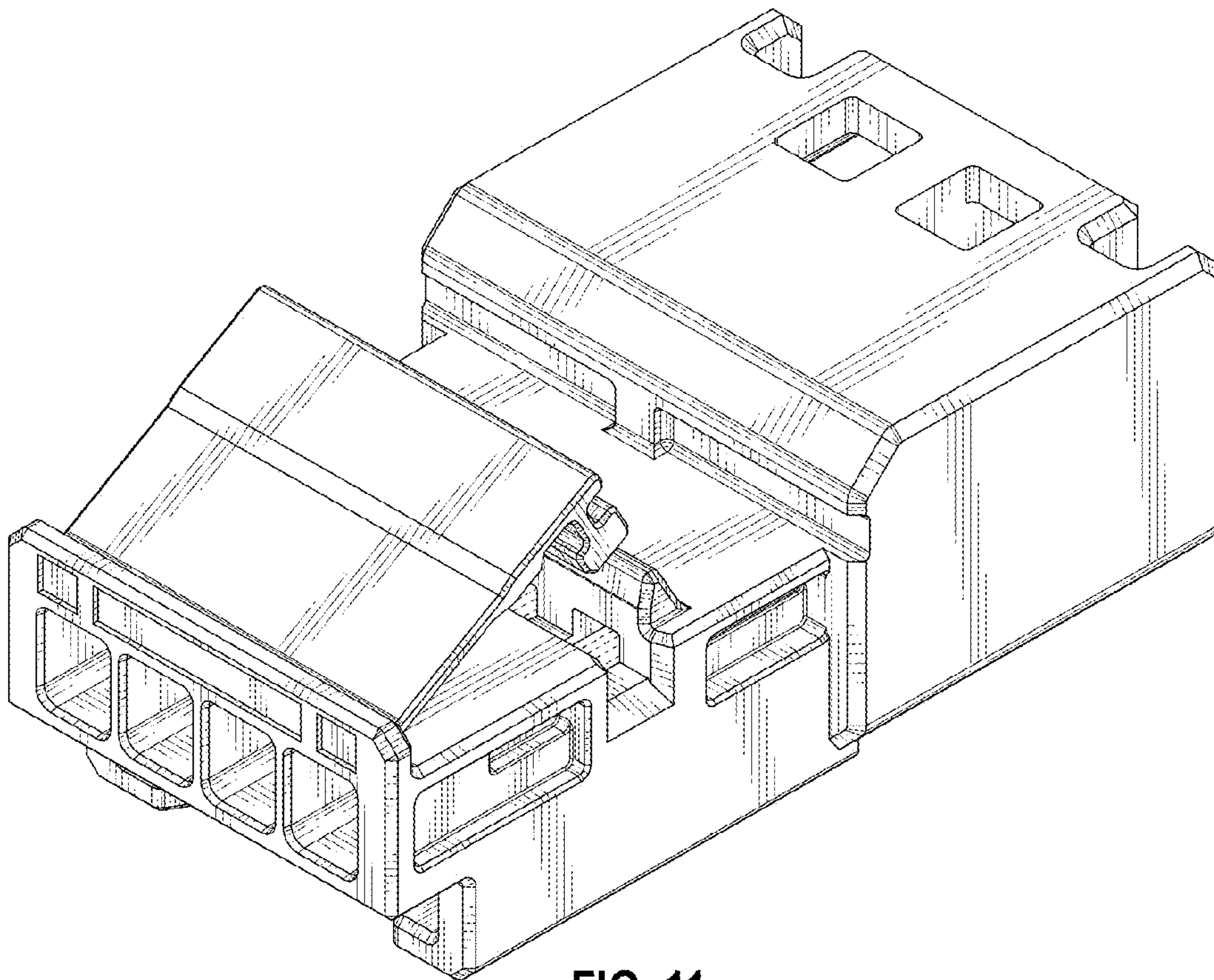


FIG. 11

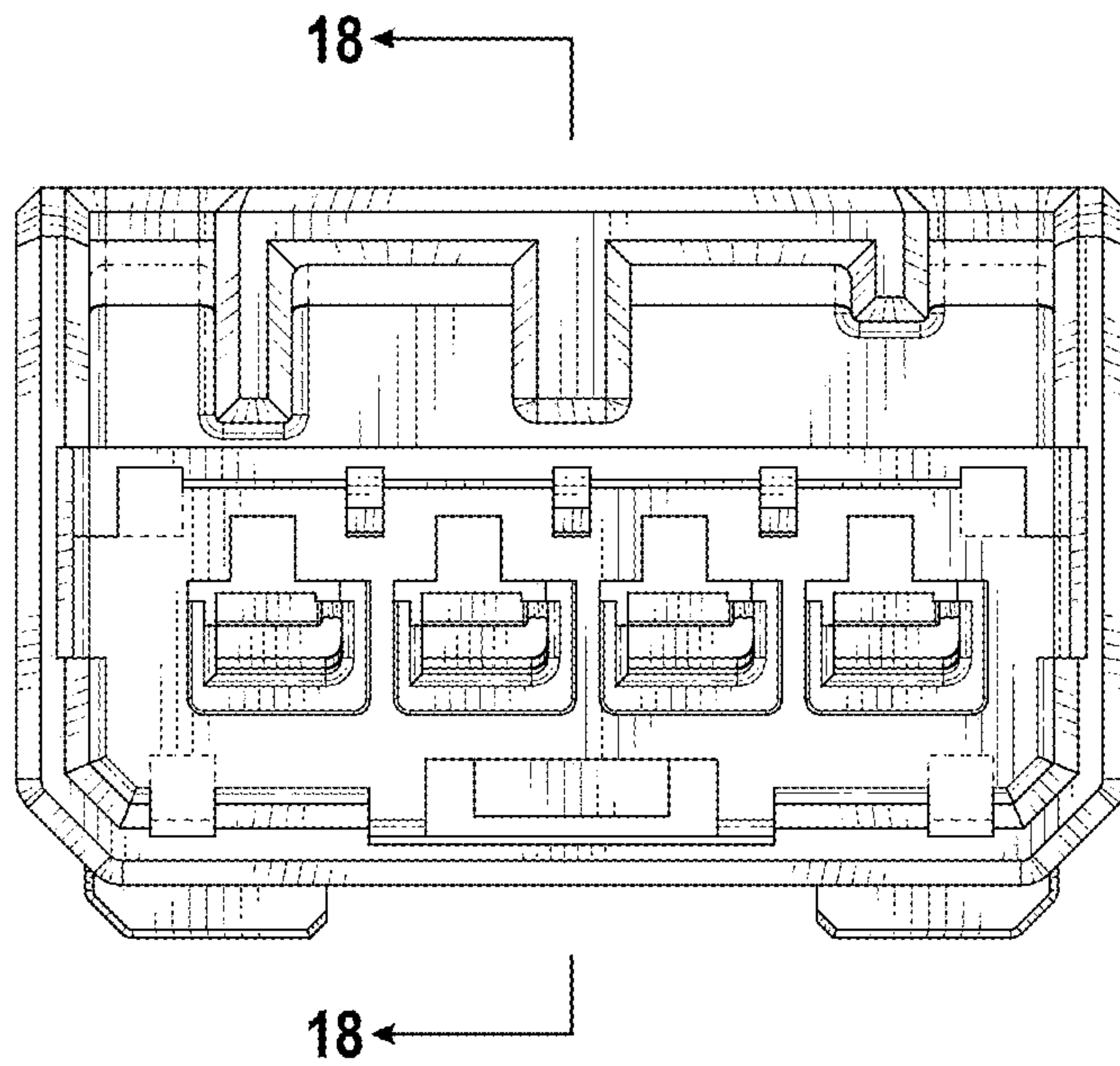


FIG. 12

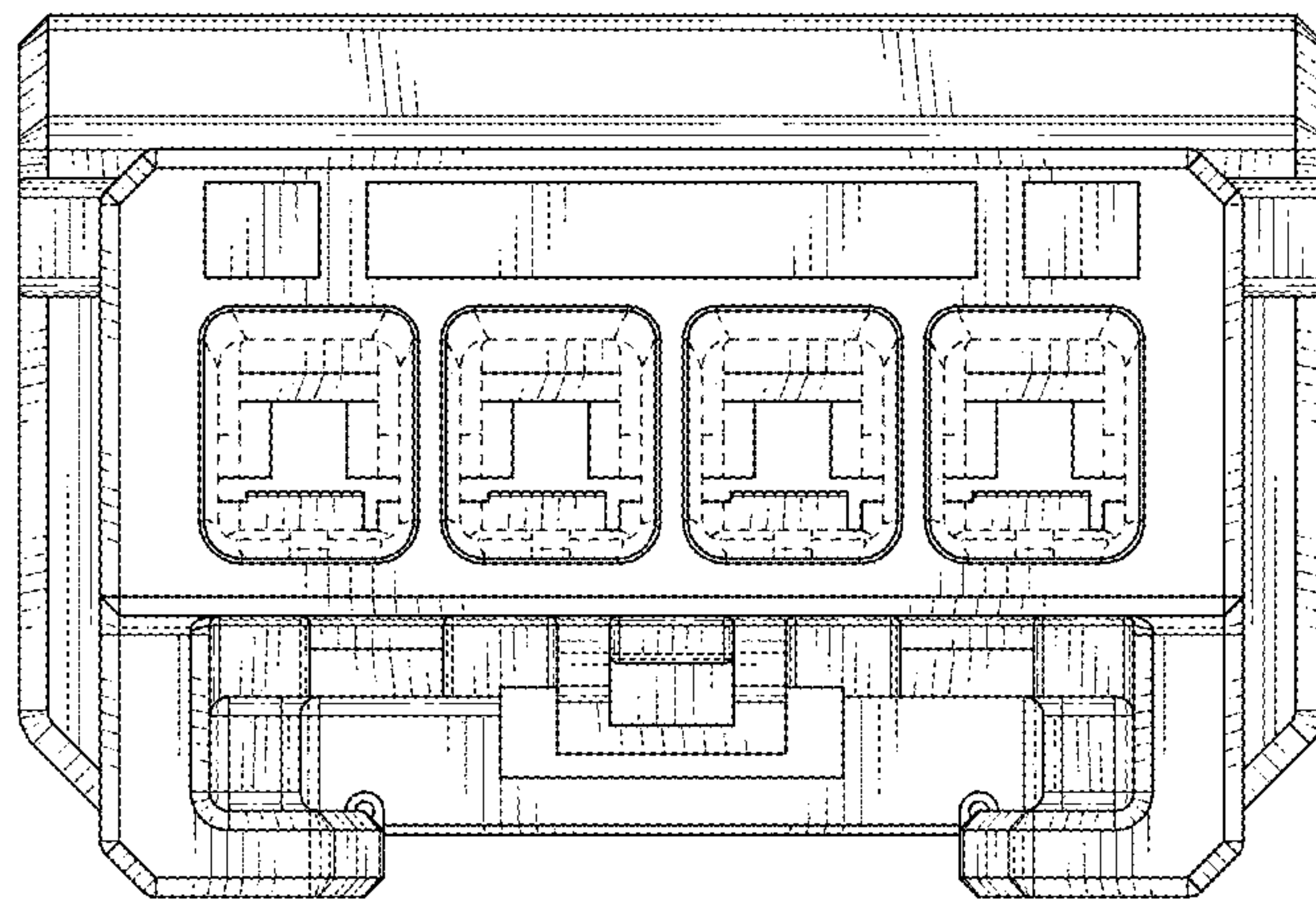


FIG. 13

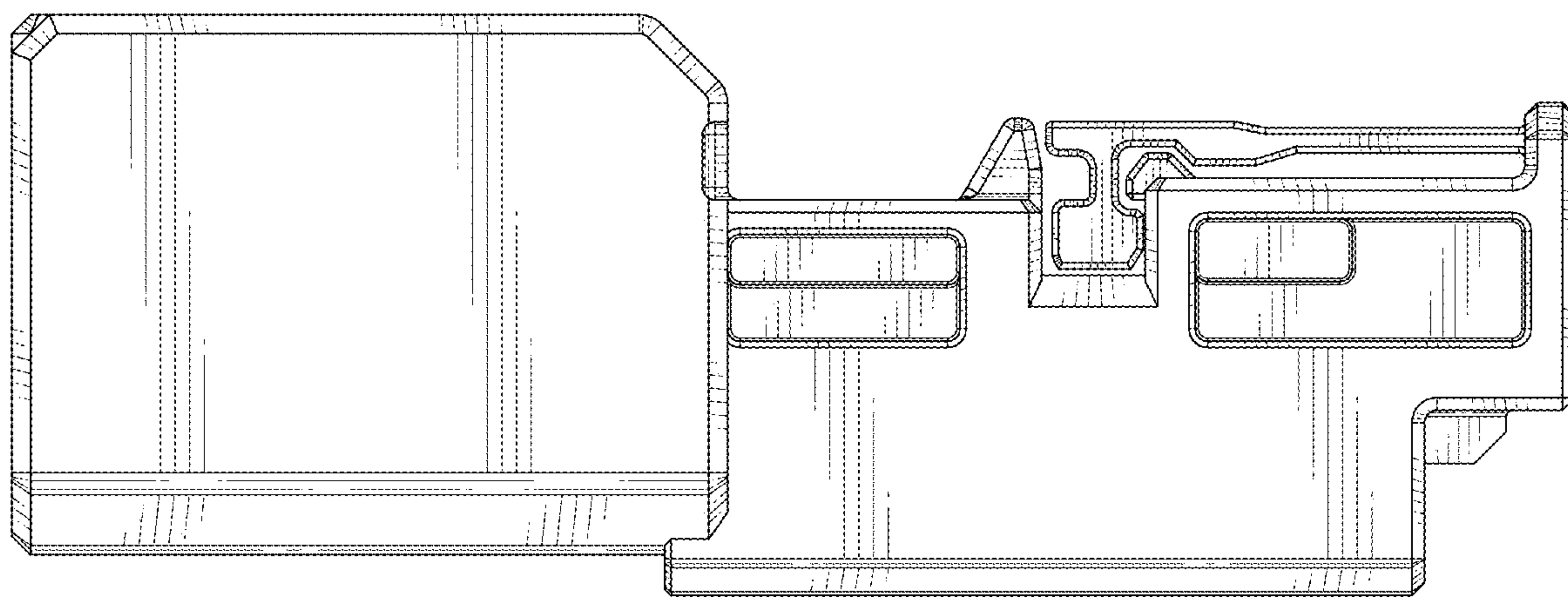


FIG. 14

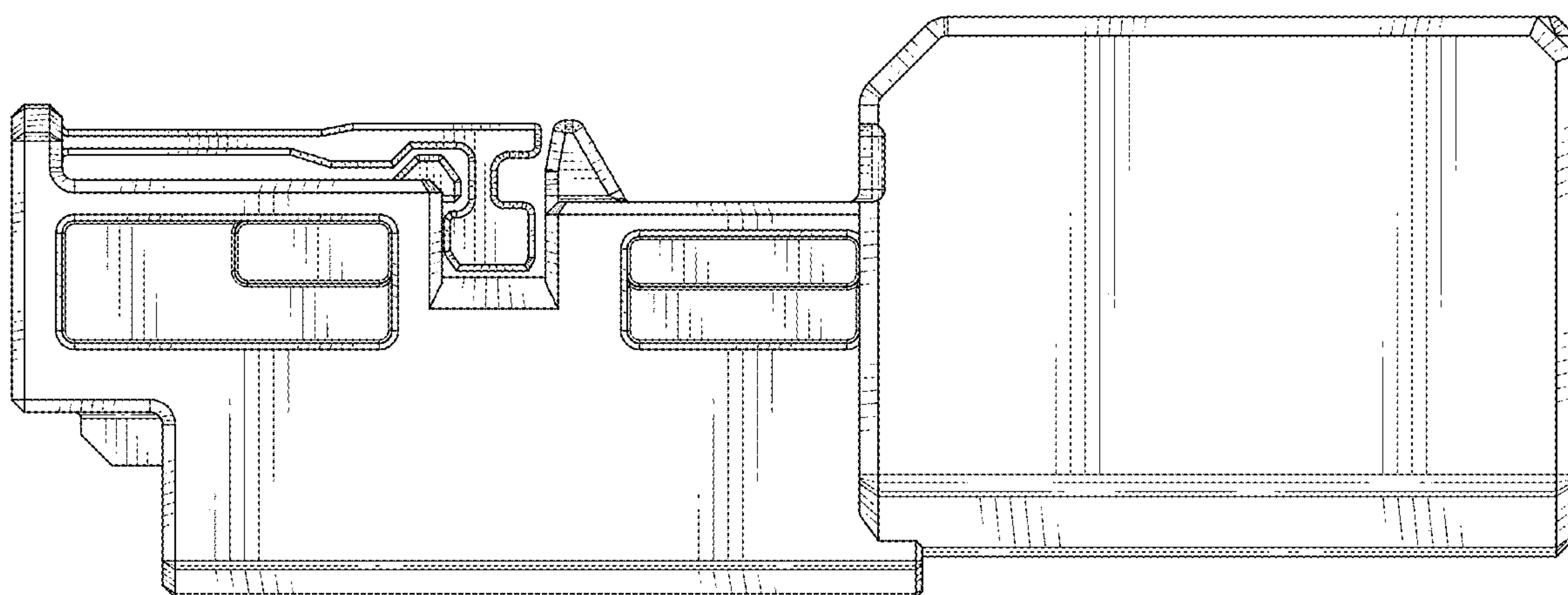


FIG. 15

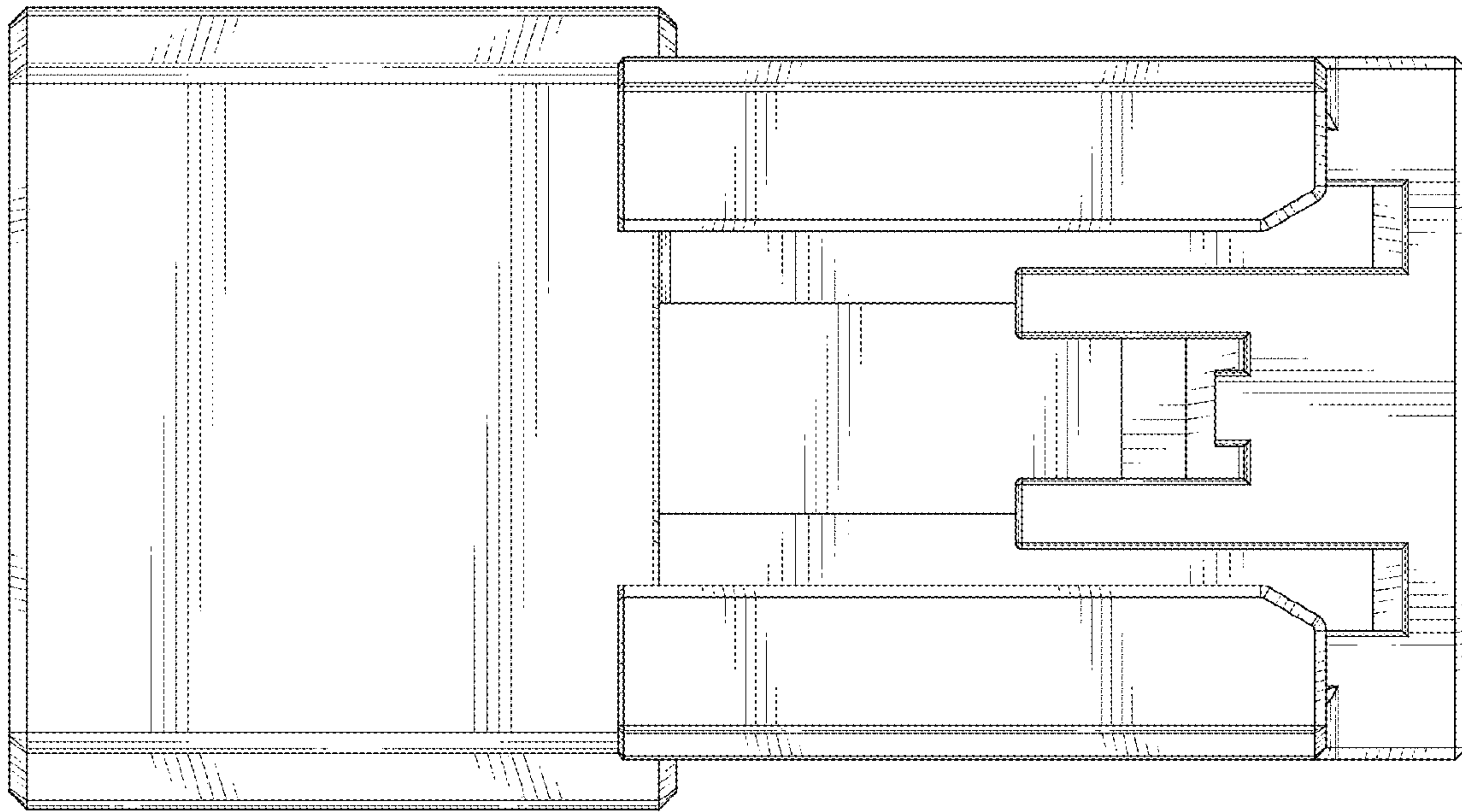


FIG. 17

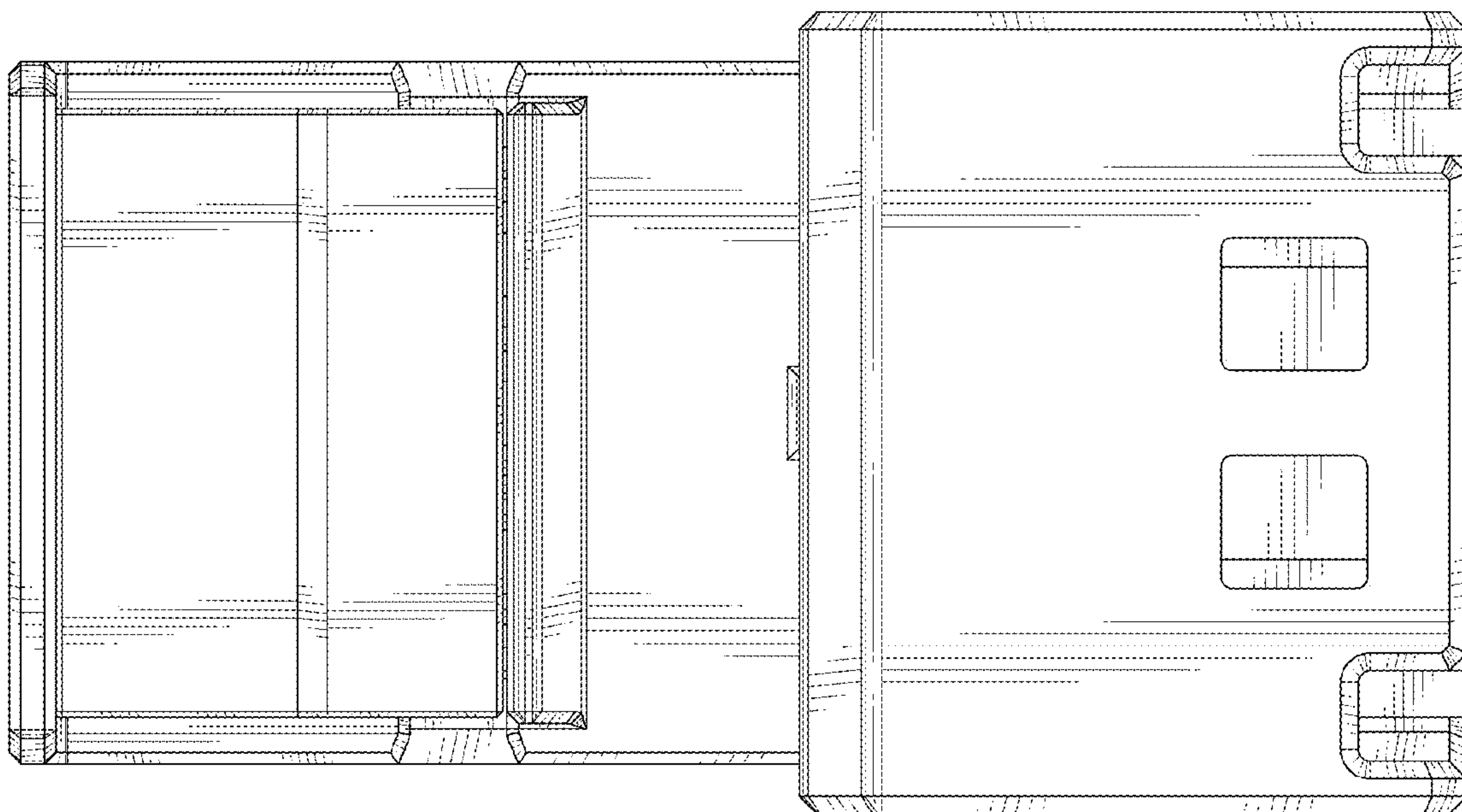


FIG. 16

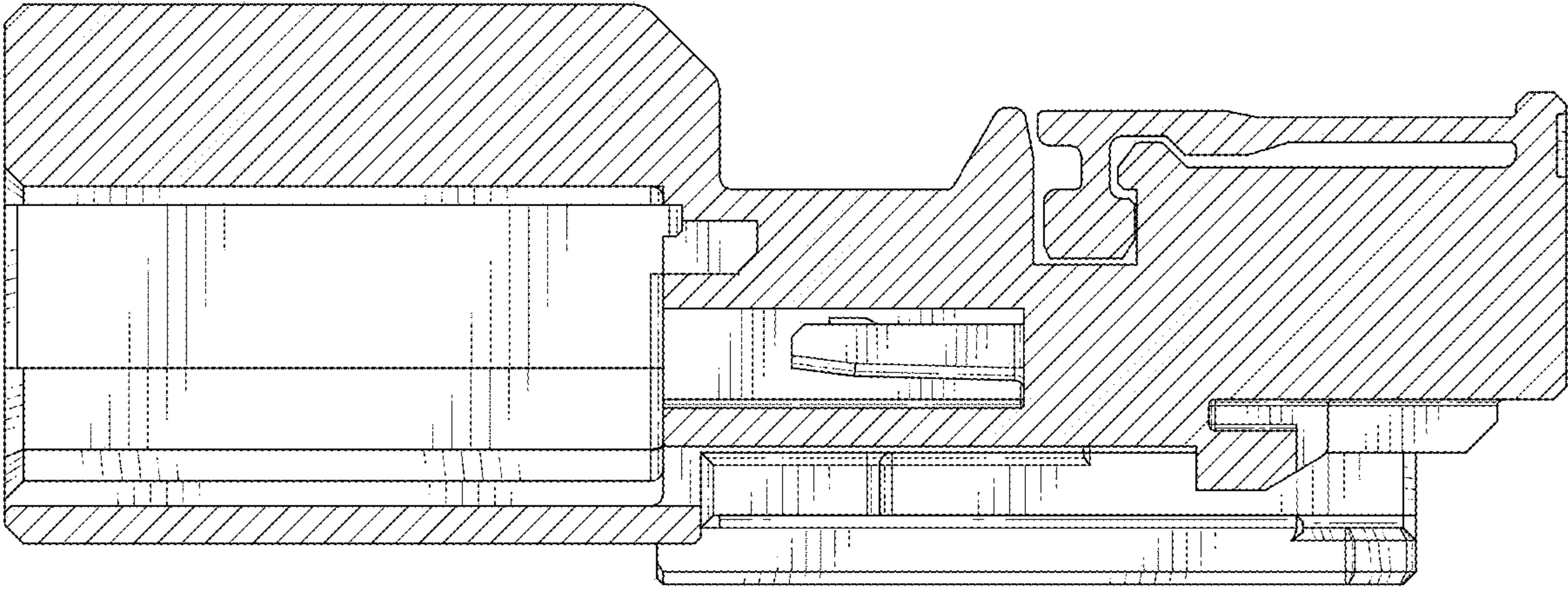


FIG. 18

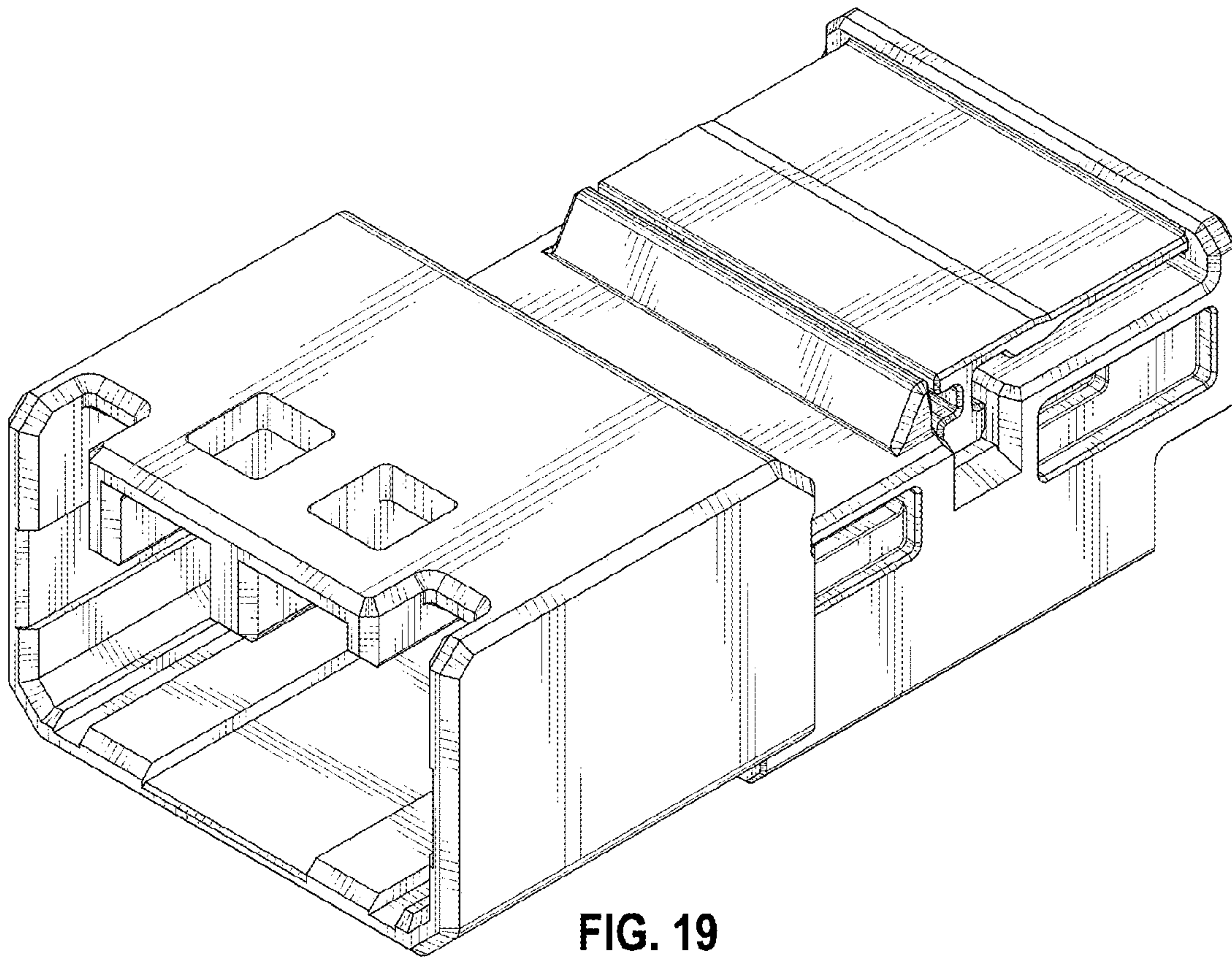


FIG. 19

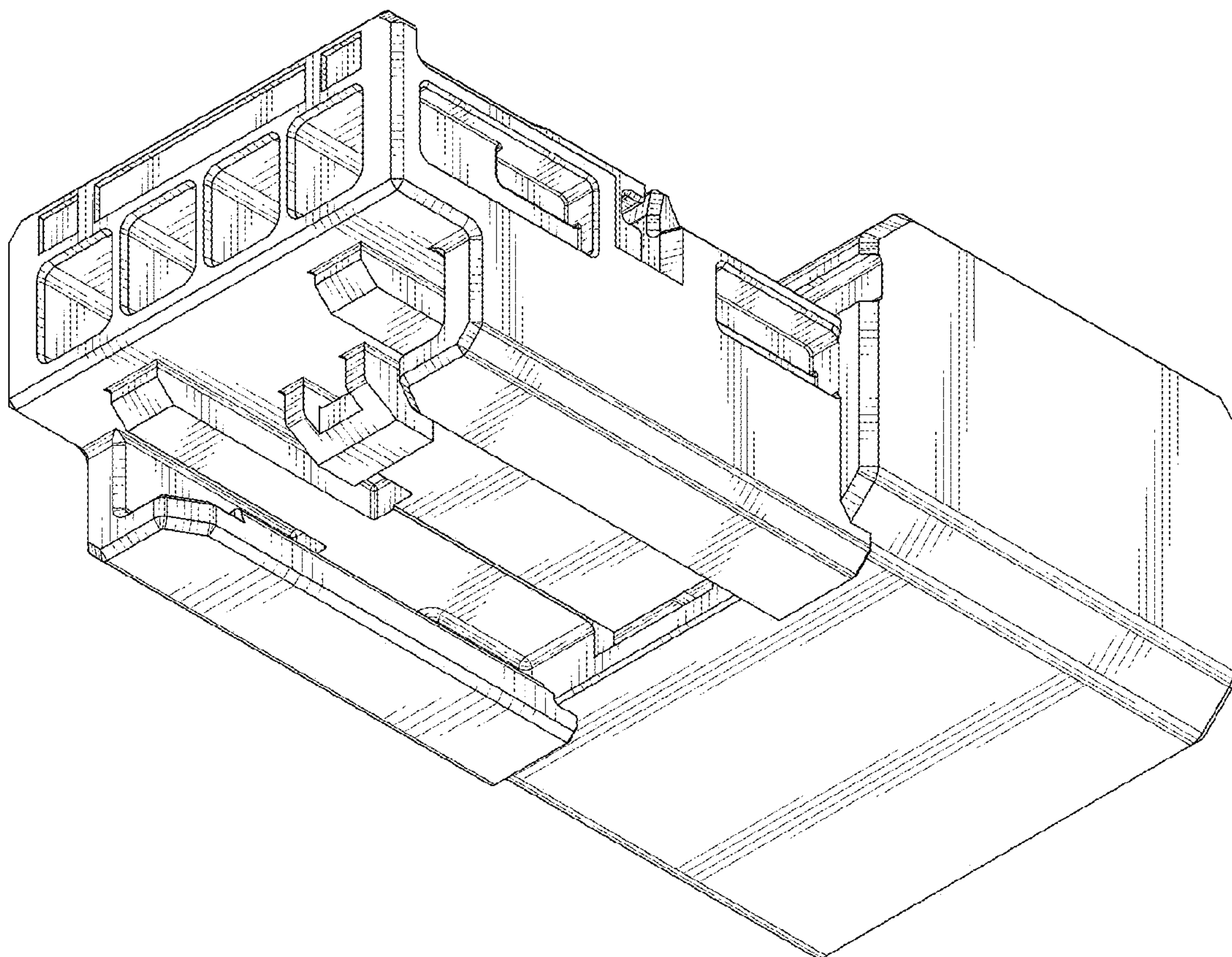


FIG. 20

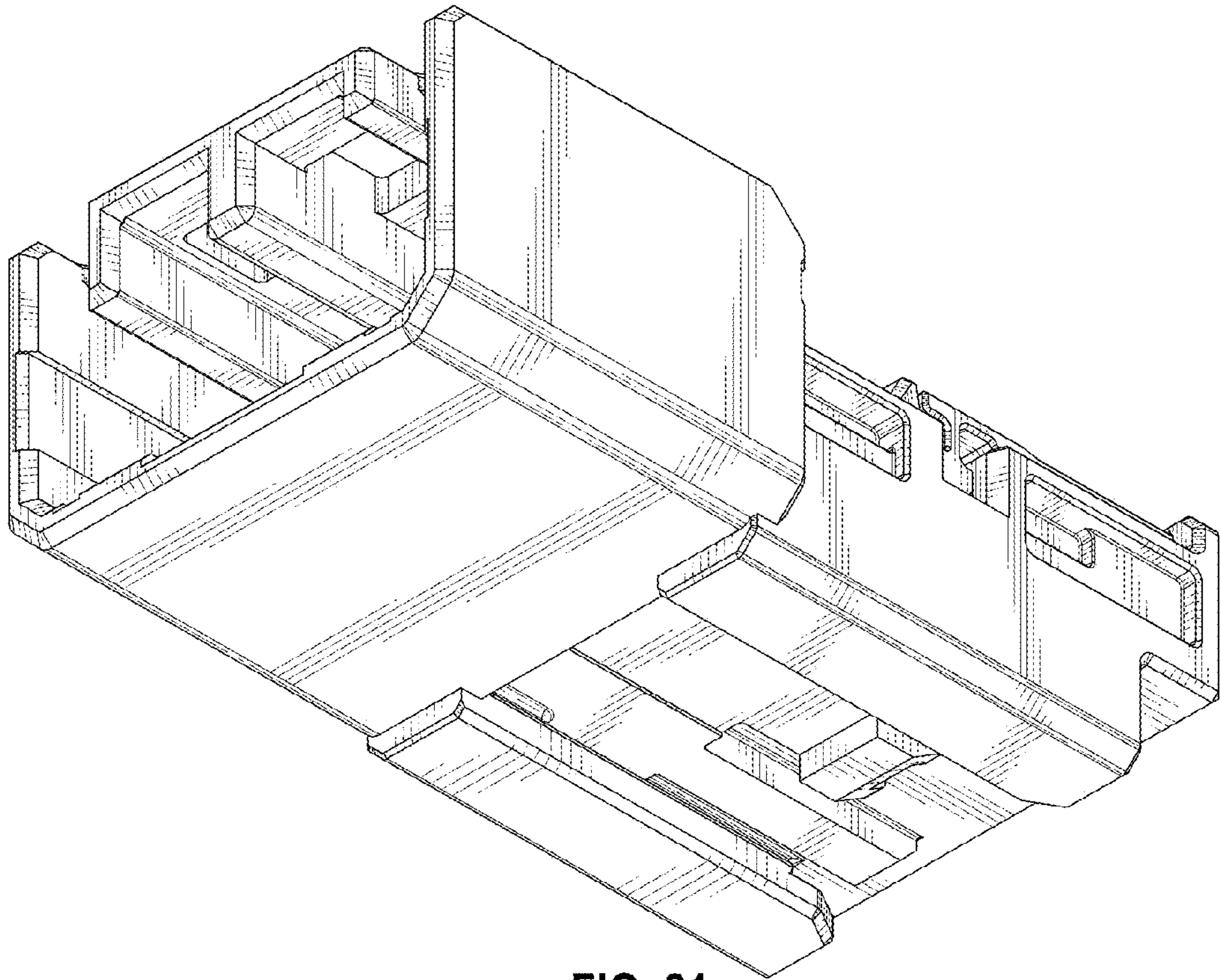


FIG. 21

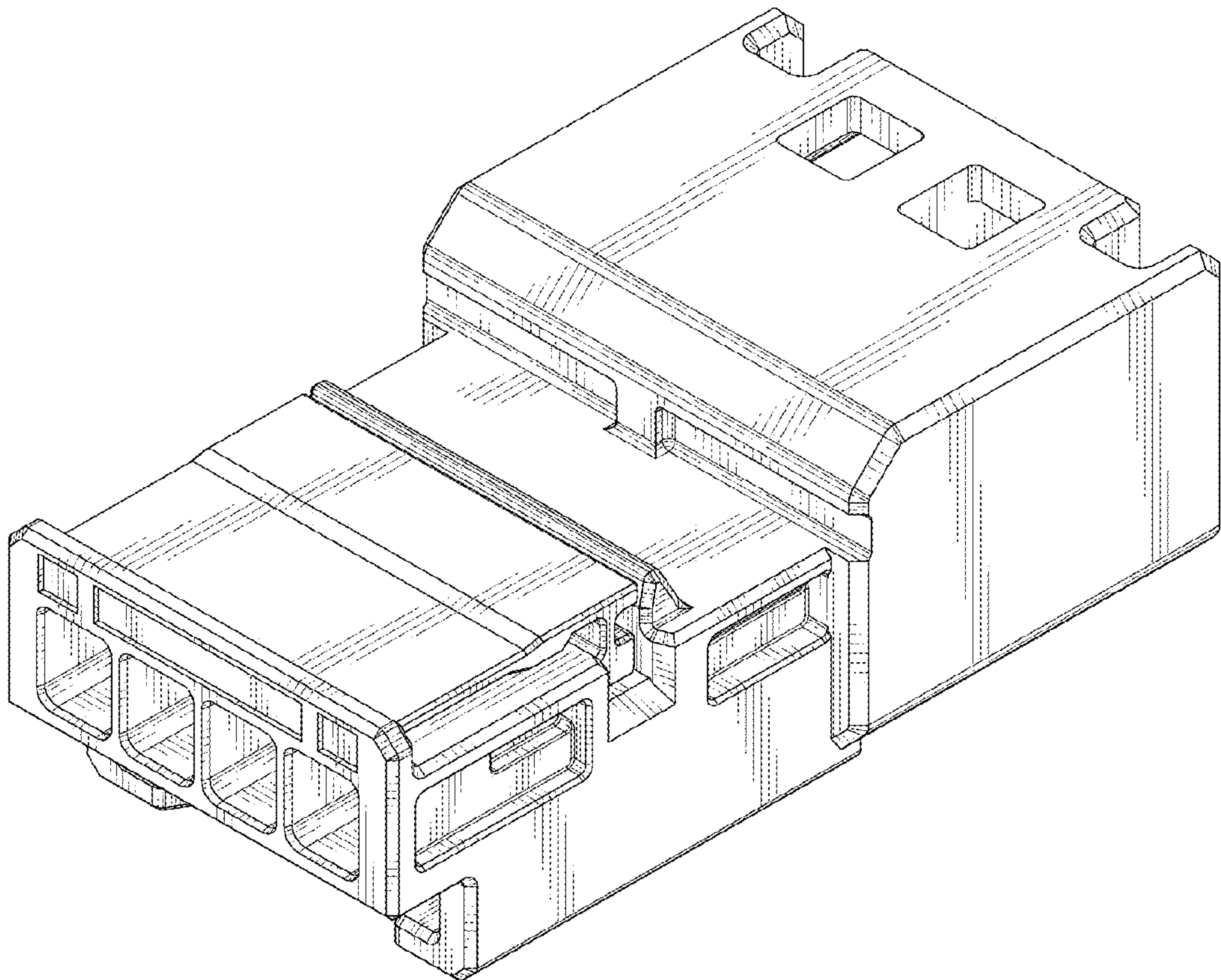


FIG. 22